

# GREYFIELD

## IN-WALL SHOWER DIVERTER TRIM

SKU: 948901



### FEATURES

Shape: Round  
Handle Type: Lever  
Installation Type: Wall Mount  
Assembly Required: No  
Design: Modern  
Metal Handle  
Metal Escutcheon  
Six Total Settings Allow For Shared Water Flow Between Outlets, Giving You the Ability to Use Two Functions at Once

#### Optional Rough-In Valve:

Available Single-Function Diverter Valve Cartridge Restricts Water Flow to One Outlet at a Time  
Brass Valve Body  
Ceramic Cartridge  
Not Intended as a Shut Off Valve  
Must be Installed in Accordance With Provided Installation Instructions

### CONTENTS

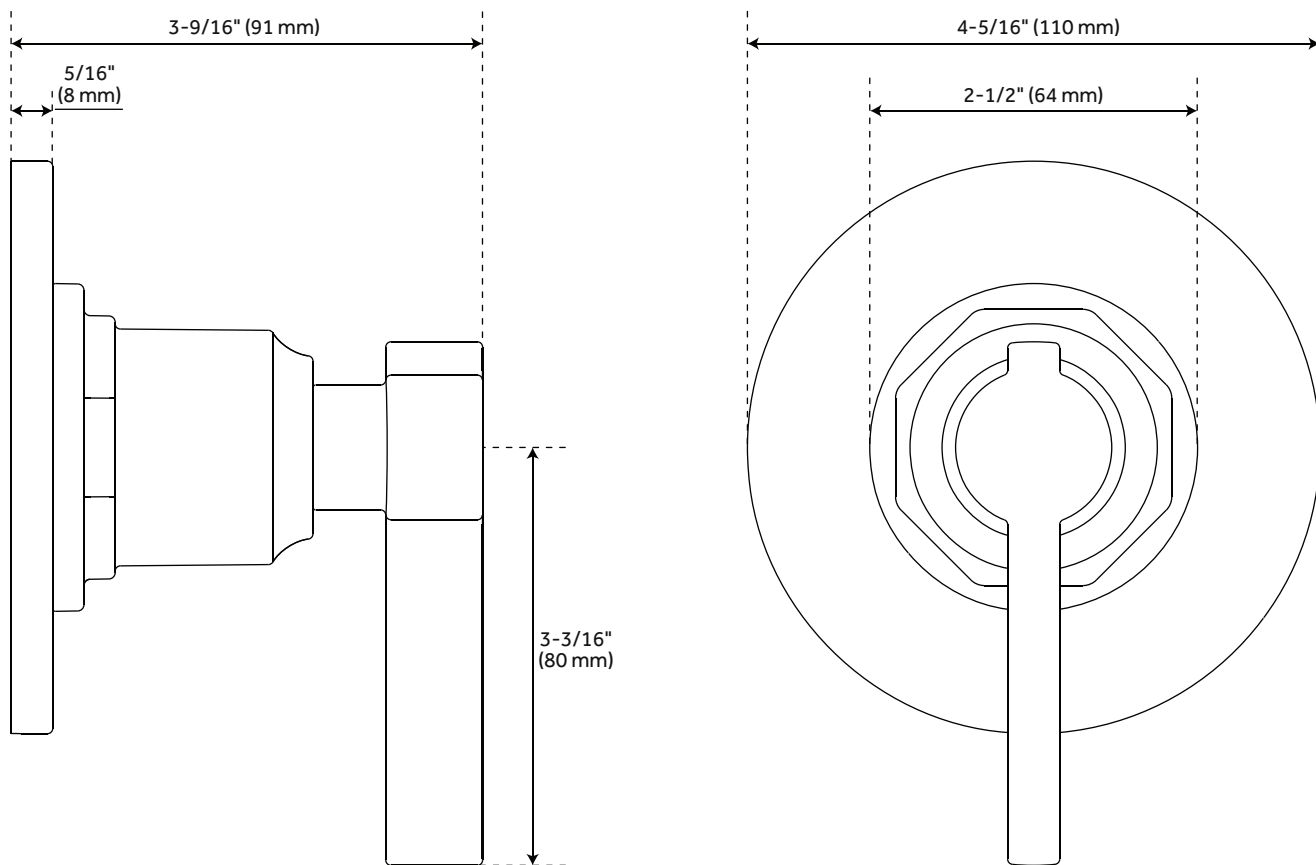
TRIM .....	PAGE 2
ROUGH-IN VALVE .....	PAGE 3

REVISED 04/07/2021

# GREYFIELD

## IN-WALL SHOWER DIVERTER TRIM

SKU: 948901



### FEATURES

Material: Brass  
Width: 4-5/16"  
Height: 4-5/16"  
Depth: 3-9/16"  
Connection: 3/4"-14 NPT  
Wall Thickness Range: 1" to 1-3/4"  
Recommended Valve Installation Depth:  
1-5/8" to 2-3/8"

### CODES/STANDARDS

cUPC  
ASME A112.18.1/CSA B125.1  
ICC/ANSI A117.1 (when installed  
according to ADA standards)  
Massachusetts Accepted

### PRODUCT IMAGE



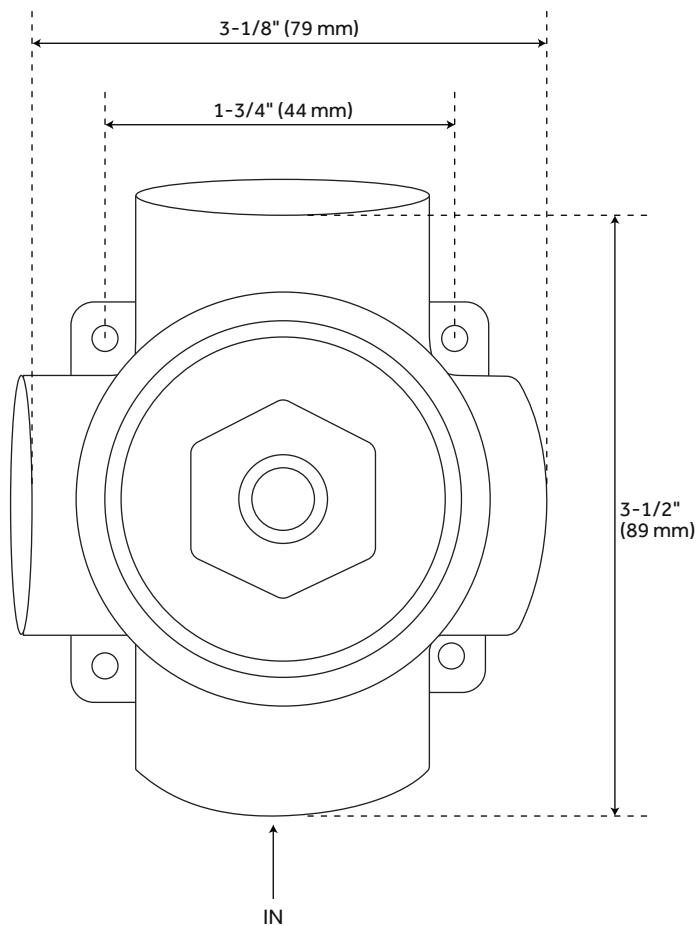
All dimensions and specifications are nominal and may vary. Use actual products for accuracy in critical situations.

PAGE 2  
Code: SHGF9005

# GREYFIELD

## OPTIONAL 3-WAY IN-WALL DIVERTER ROUGH-IN VALVE - 3/4"

SKU: 948901



### FEATURES

Material: Brass  
Connection: 3/4"-14 NPT  
For Installations Only Requiring 2 Outlets,  
the 3rd Outlet May be Looped into  
One of the Existing Pipes

### CODES/STANDARDS

cUPC  
ASME A112.18.1/CSA B125.1  
Massachusetts Accepted

### PRODUCT IMAGE



All dimensions and specifications are nominal and may vary. Use actual products for accuracy in critical situations.

PAGE 3  
Code: SH6103