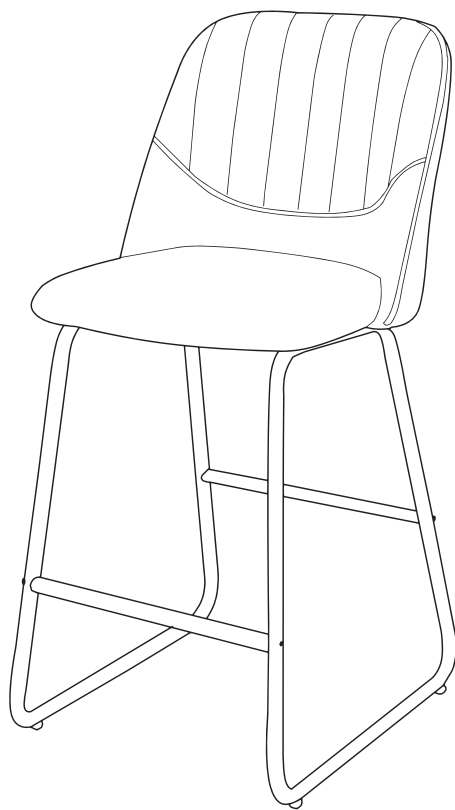


# Instruction Manual

## Sheffield Bar Stool

[www.laura-james.co.uk](http://www.laura-james.co.uk)





# CONTENTS

---

Safety and care advice	1
Components	2
Assembly instructions	3
Copyright	7

# ⚠ SAFETY AND CARE AD VICE ⚠

---

PLEASE READ THESE INSTRUCTIONS CAREFULLY AND KEEP FOR FUTURE REFERENCE

- Warning: Please lift with care.
- Check you have all the components and tools listed on page 2.
- Remove all fittings from the plastic bags and separate them into their groups.
- Keep children and animals away from the work area, small parts could choke if swallowed.
- Make sure you have enough space to lay out the parts before starting.
- Do not stand or put weight on the product, this could cause damage.
- Assemble the item as close to its final position (in the same room) as possible.

- Assemble on a soft level surface to avoid damaging the unit or your floor (use opened out unit carton).



- We do not recommend the use of power drill/drivers for inserting screws, as this could damage the unit. Only use hand screwdrivers.
- Dispose of all packaging carefully and responsibly.

## CARE AND MAINTENANCE

---

- Only clean using a damp cloth and mild detergent, do not use bleach or abrasive cleaners.
- From time to time check that there are no loose screws on this unit.

- This product should not be discarded with household waste. Take to your local authority waste disposal center.

Note: If required the next page can be cut out and used as reference throughout the assembly. Keep this page with these instructions for future reference.

# COMPONENTS

---

Please check you have all the components listed below:



A



Chair Seat x 1

B



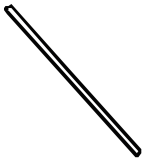
Leg x 2

C



Top support bar x 2

D



Bottom support bar x 2

E



Screw M6\*18 mm x 4

F



M6\*18\*1.5 mm x 4

G



Screw M6\*35 mm x 8

H





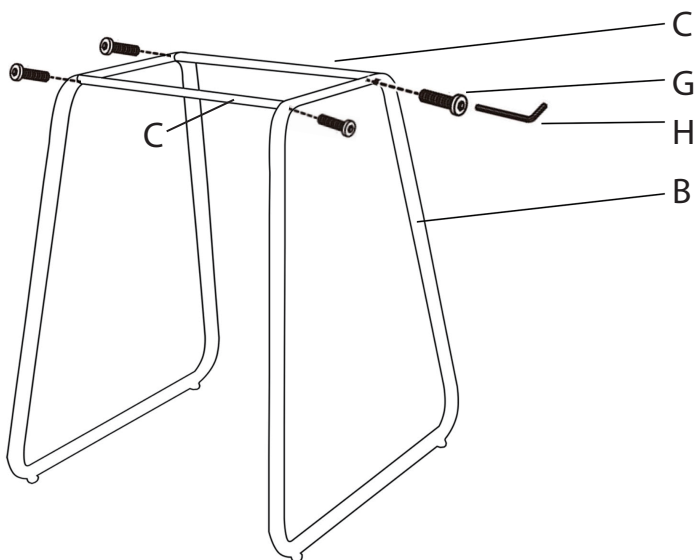
Allen wrench x 1



# ASSEMBLY INSTRUCTIONS



Step 1

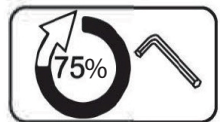
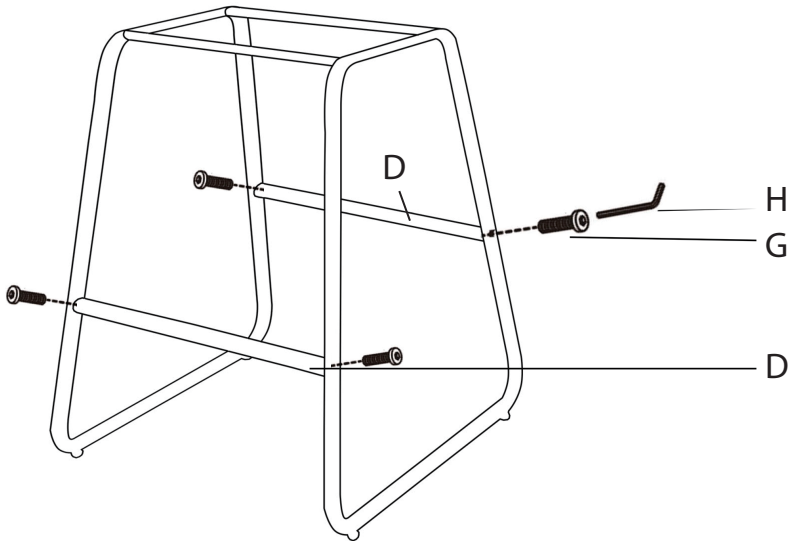
G		4
H		1



# ASSEMBLY INSTRUCTIONS




Step 2

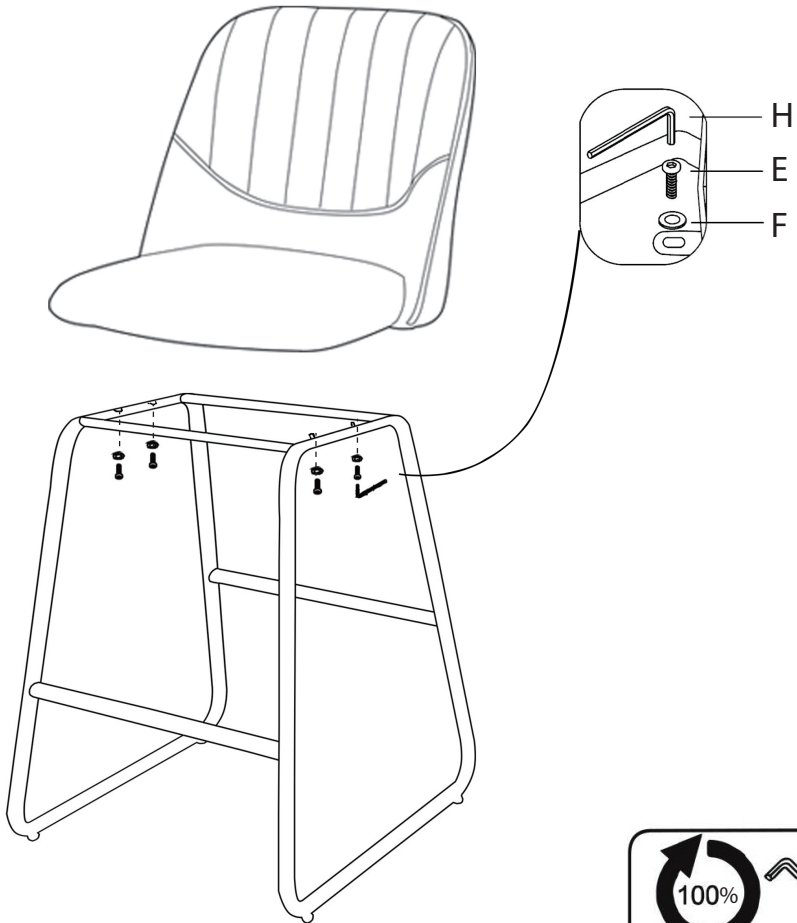
G		4
H		1



# ASSEMBLY INSTRUCTIONS

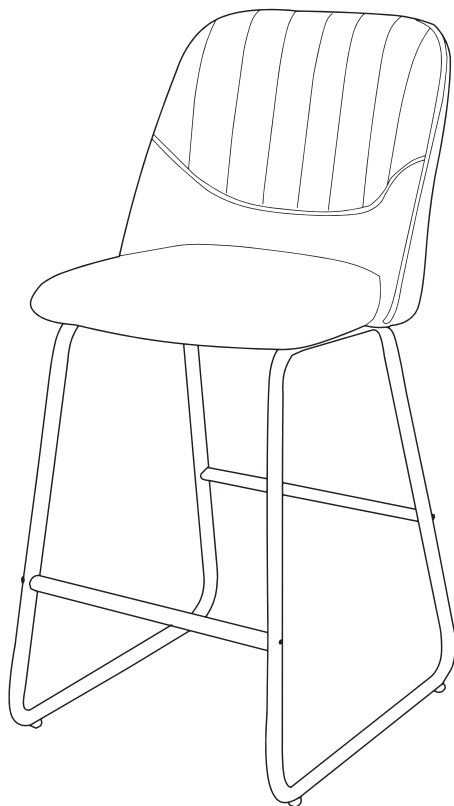
Step 3

E		4
F		4
H		1



# ASSEMBLY INSTRUCTIONS

---



Congratulations! Now you have finished assembling the product.

## IF YOU FIND A DEFECTIVE PART

---

We fully stock all parts and components. Any defective part can be quickly replaced. Take note of the defective part number in manual and we will arrange a quick replacement.

You can email our team at [customercare@laura-james.co.uk](mailto:customercare@laura-james.co.uk)

## COPYRIGHT

---

All material in this instruction manual is copyrighted by AGTC Ltd.

Any unauthorised use may violate world wide copyright, trademark and other laws.



Thank you for purchasing!

Laura James® is a registered trademark of AGTC Ltd.  
Made in China for AGTC LTD S35 9ZX

---

Laura James

[www.laura-james.co.uk](http://www.laura-james.co.uk)