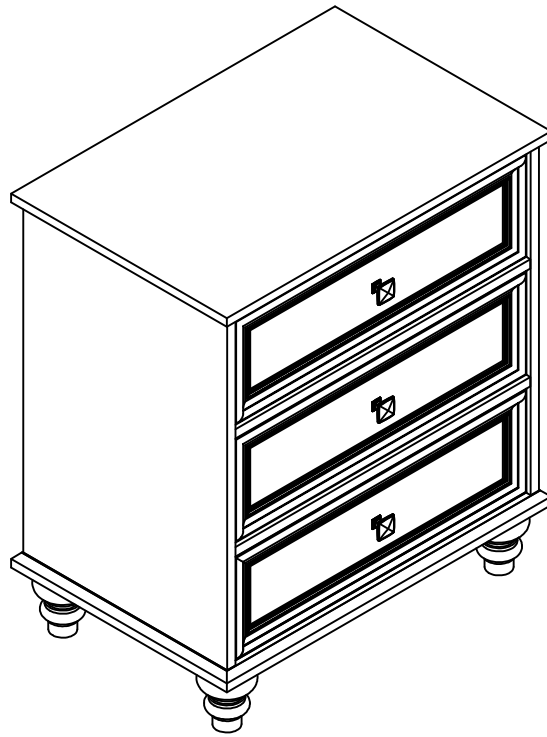


# Installation Instruction



# Assembling

---

Estimated time for assembly

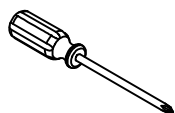


**45 : 00**

---

## What you need

- Use the packaging carton as a working surface to prevent product damage during assembly
- Phillips head screwdriver

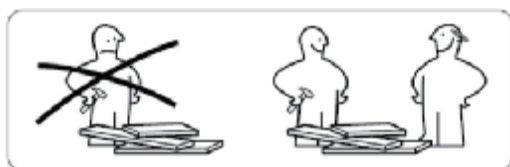


---

## Weight Limitation



**100** | **35**  
lbs table top      lbs per



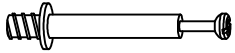
# What' included

---

Code	Description	Qty
A	Cam Bolt M6X35MM	31
B	Cam Lock 15X10MM	31
C	Wooden Dowel M8X30MM	8
D	Screw M4X40MM	21
E	Screw M4X8MM	3
F	The metal plate	4
G	Nylon Strap	2
H	Screw M3.0X14MM	34
I	Metal shake handhandle	3
J	The back button	8
K	Anchor	2
L	MATS	4
M	Screw M3.5X14MM	16
N	Hole position sticker	31
CL	Left mother extended orbit	3
CR	Right mother extended orbit	3
DL	Left public extension track	3
DR	Right public extends track	3

# The Hardwares

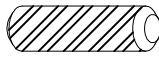
(A)



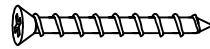
(B)



(C)



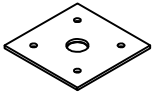
(D)



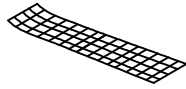
(E)



(F)



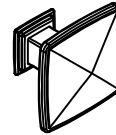
(G)



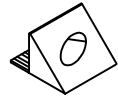
(H)



(I)



(J)



(K)



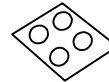
(L)



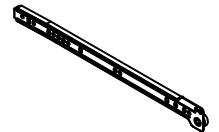
(M)



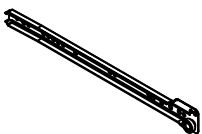
(N)



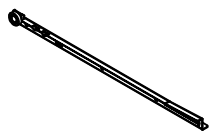
(CL)



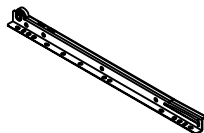
(CR)



(DL)



(DR)



## IMPORTANT:

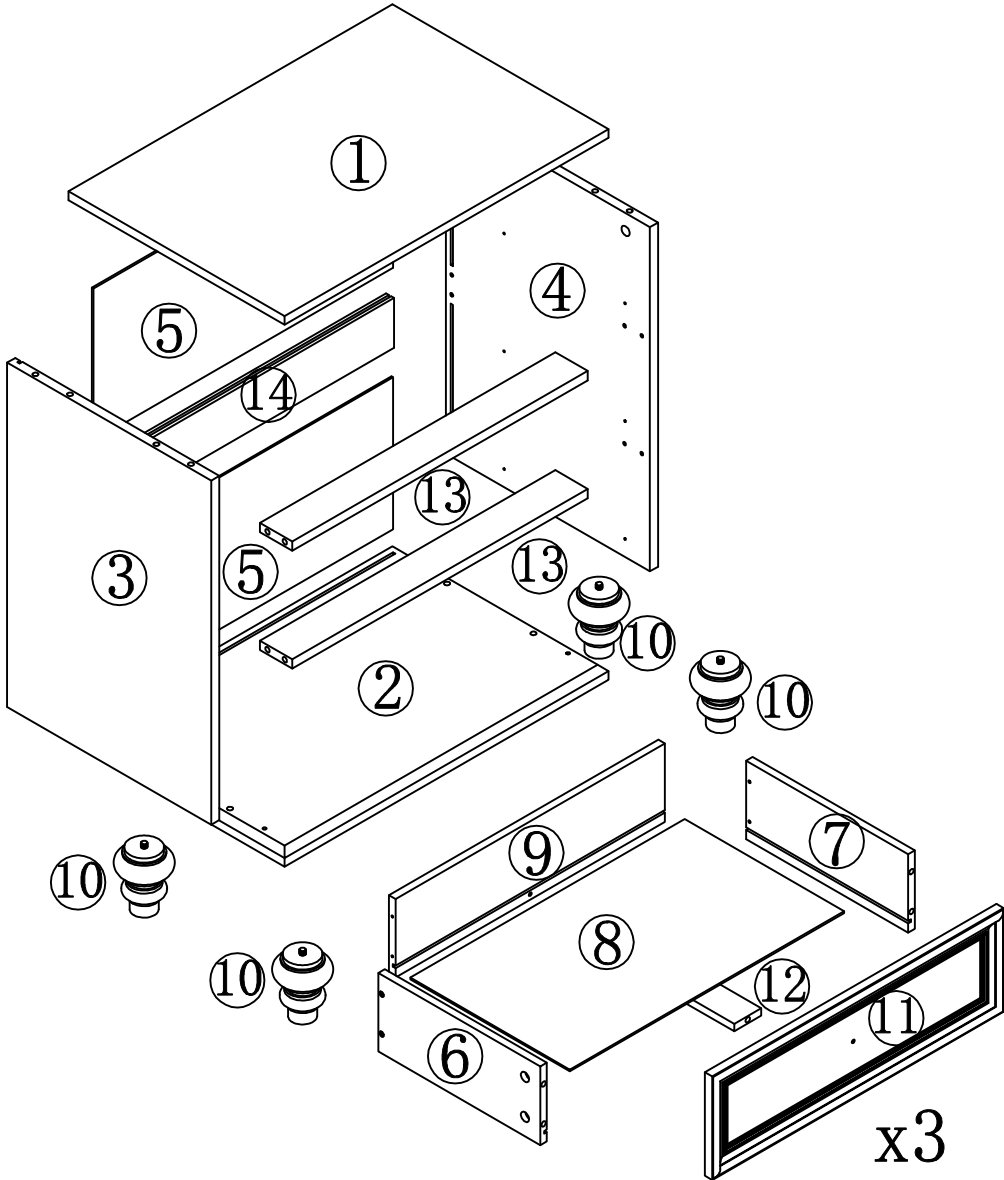
1. Do not tighten bolts / screws completely until all bolts / screws are lined up and inserted into holes.
2. Do not over tighten screws and bolts to avoid stripping
3. Please use hand tools to assemble this product. Do not use power tools.

# Included Accessories

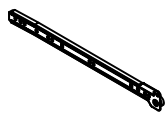


---

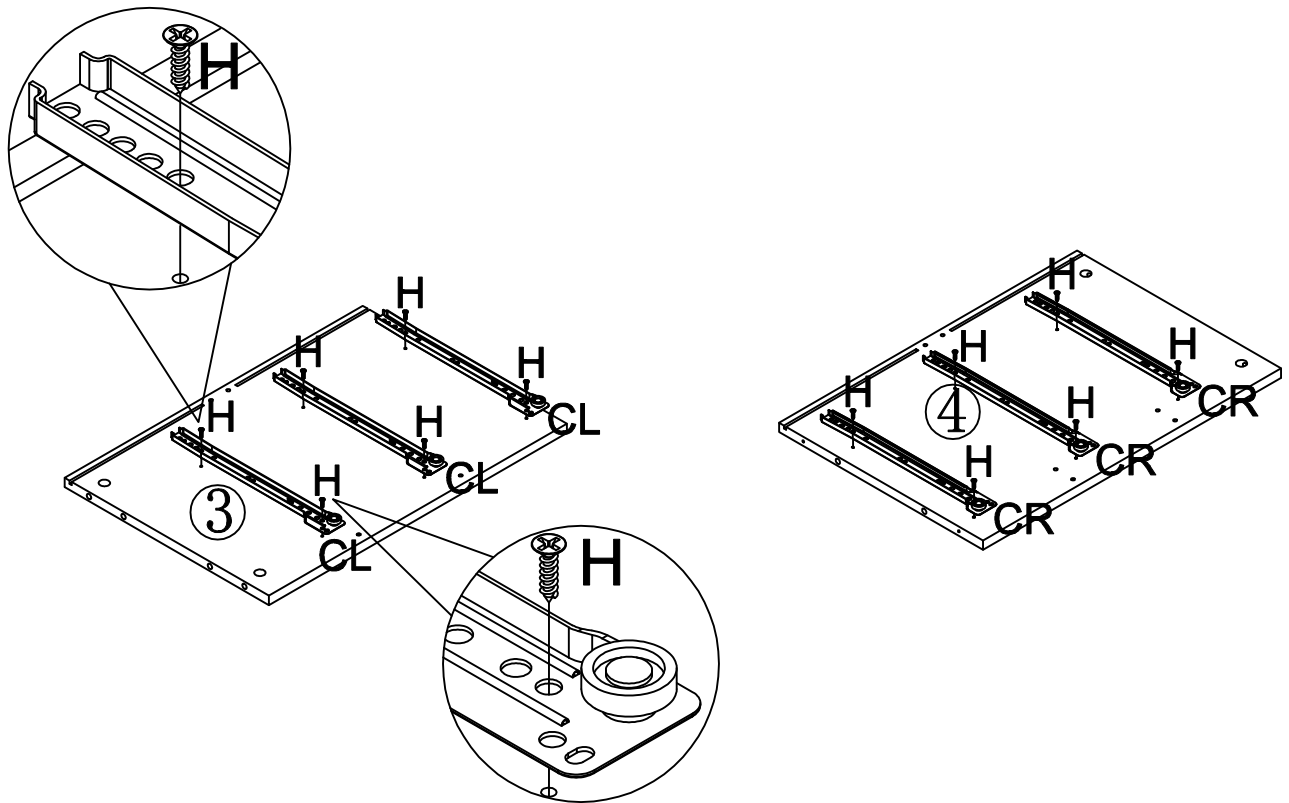
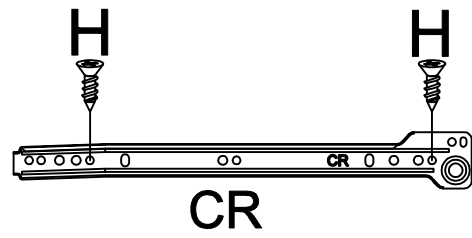
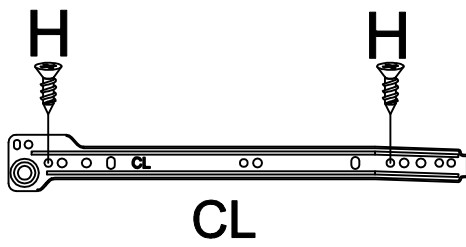
Code	Description	Qty
1	Cabinet Top	1
2	Bottom Panel	1
3	Left Side Panel	1
4	Right Side Panel	1
5	Back Panel	2
6	Drawer left panel	3
7	Drawer right side panel	3
8	The drawer bottom	3
9	After the drawer board	3
10	Solid wood feet	4
11	Drawer panel	3
12	At the bottom of the drawer	3
13	Drawer face trim board	2
14	ack stiffener	1

# The Accessoriess

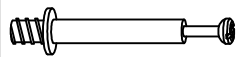


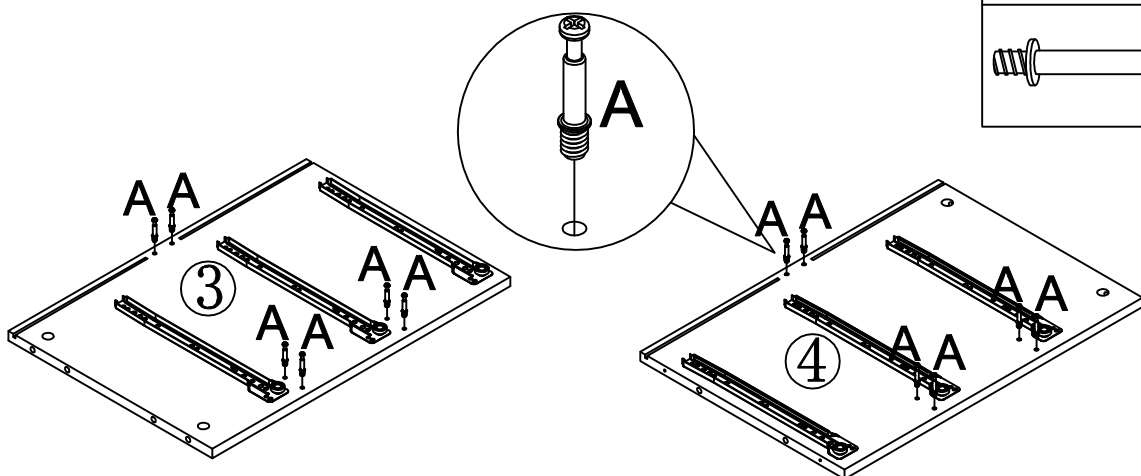
# Step 1

CL	×3	CR	×3	H	×12
					

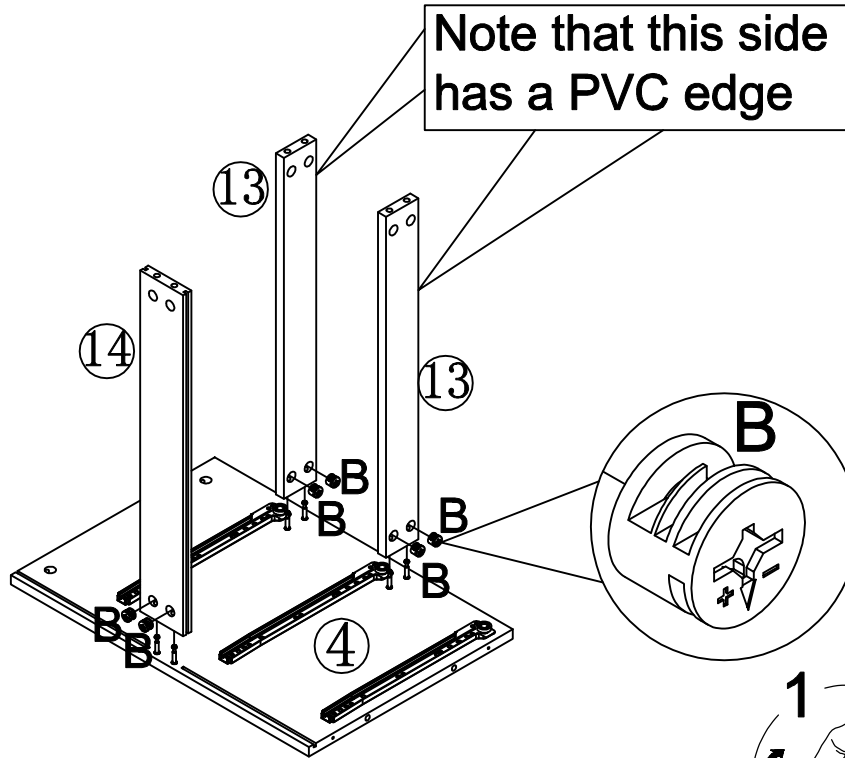


# Step 2

A	×12
	

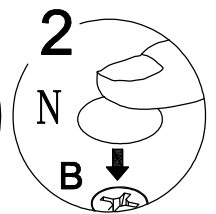
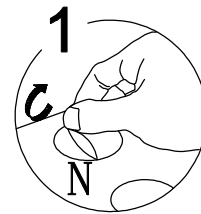


# Step 3

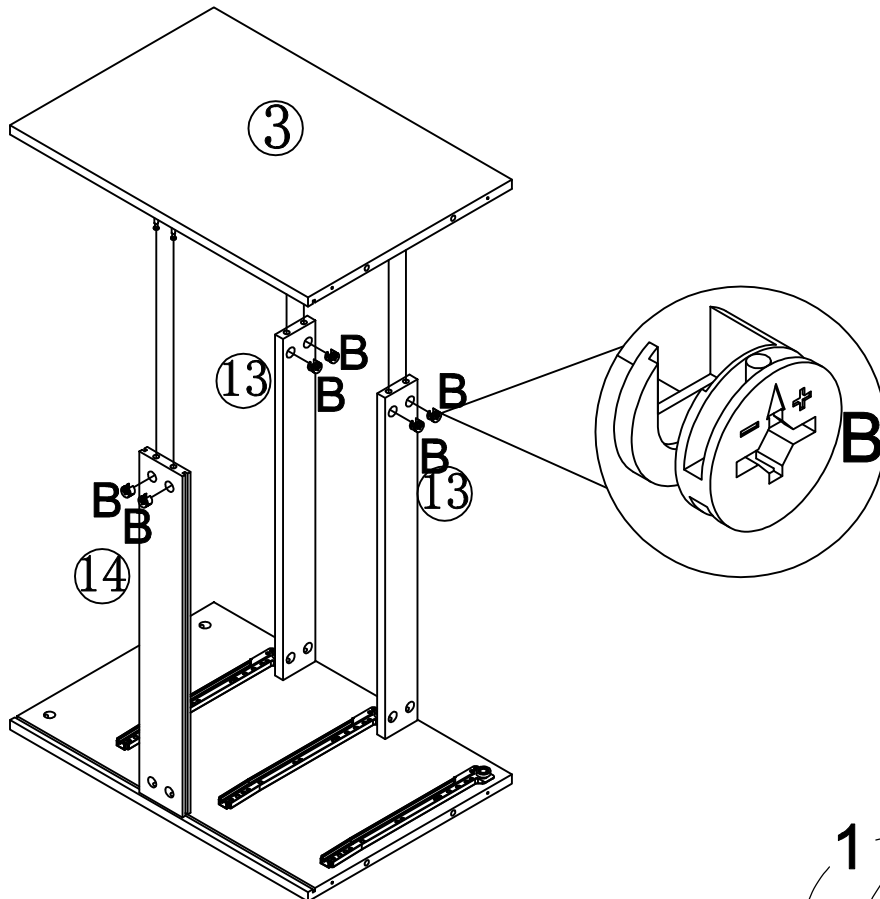


B	X6

N	X6

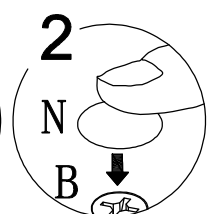
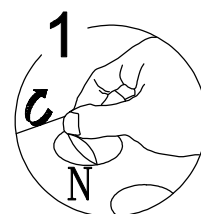


# Step 4

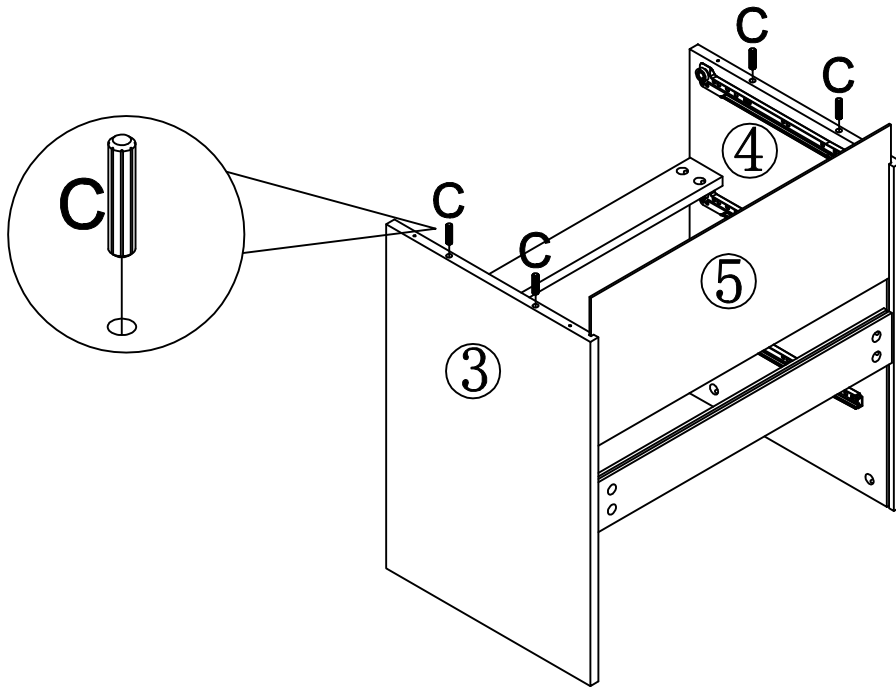
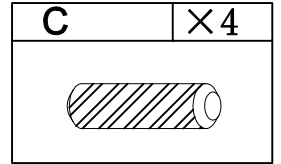


B	X6

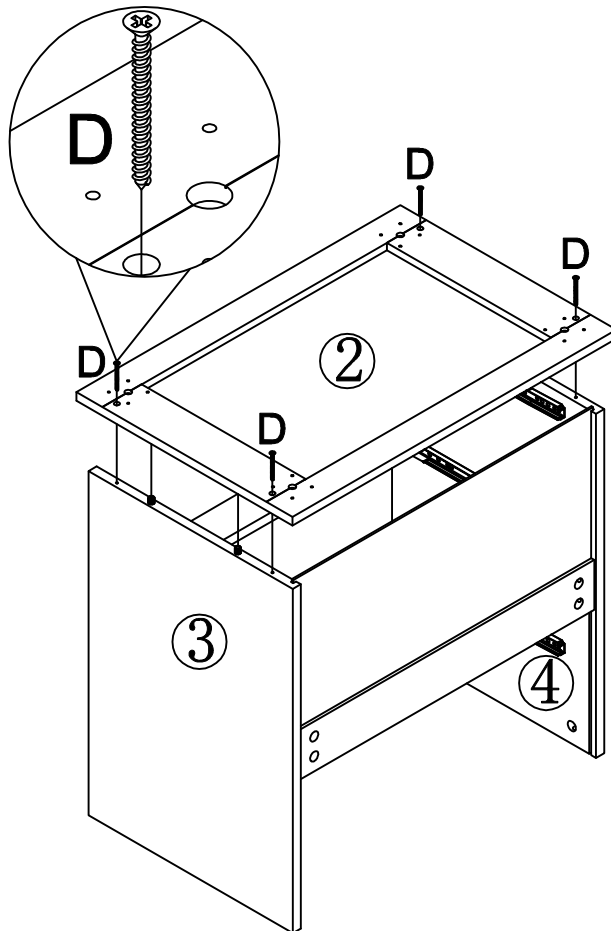
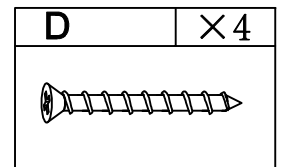
N	X6



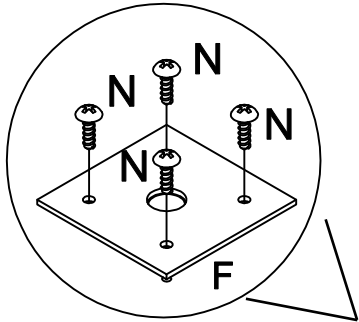
# Step 5



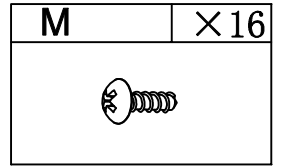
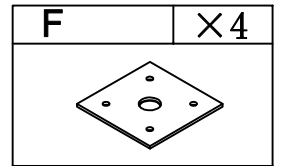
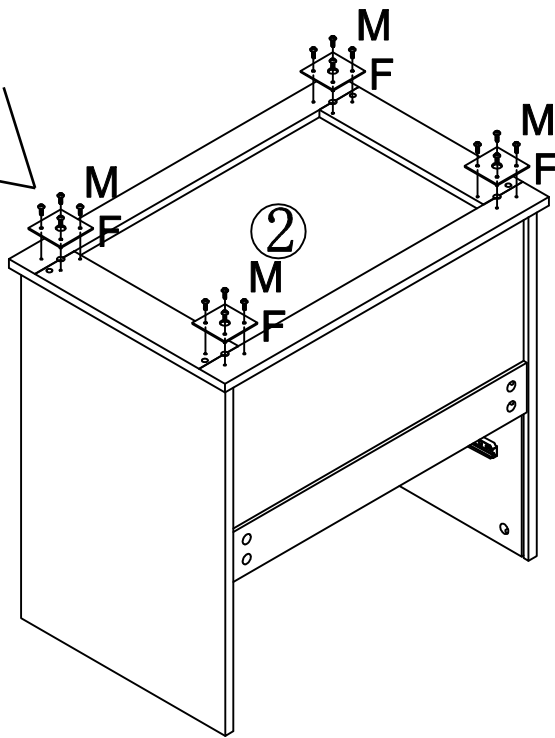
# Step 6



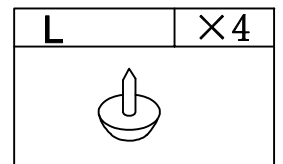
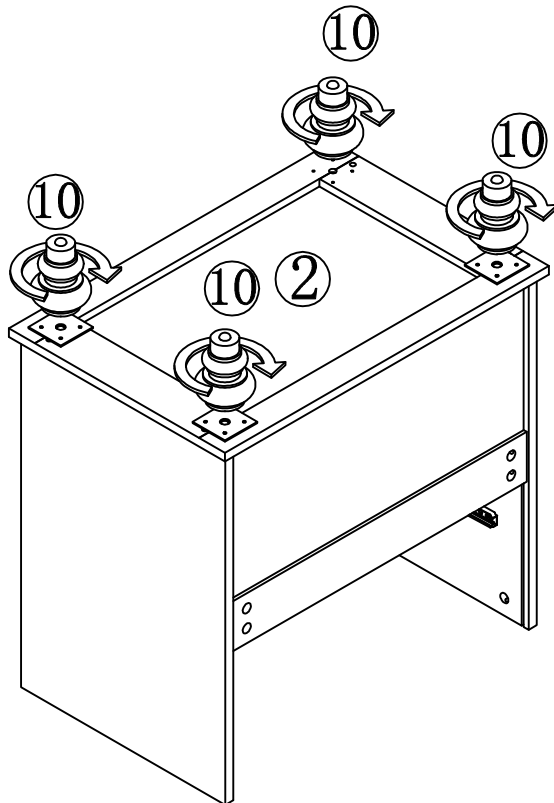
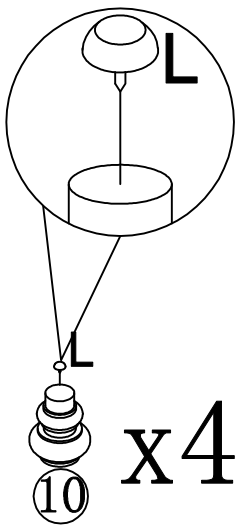
# Step 7



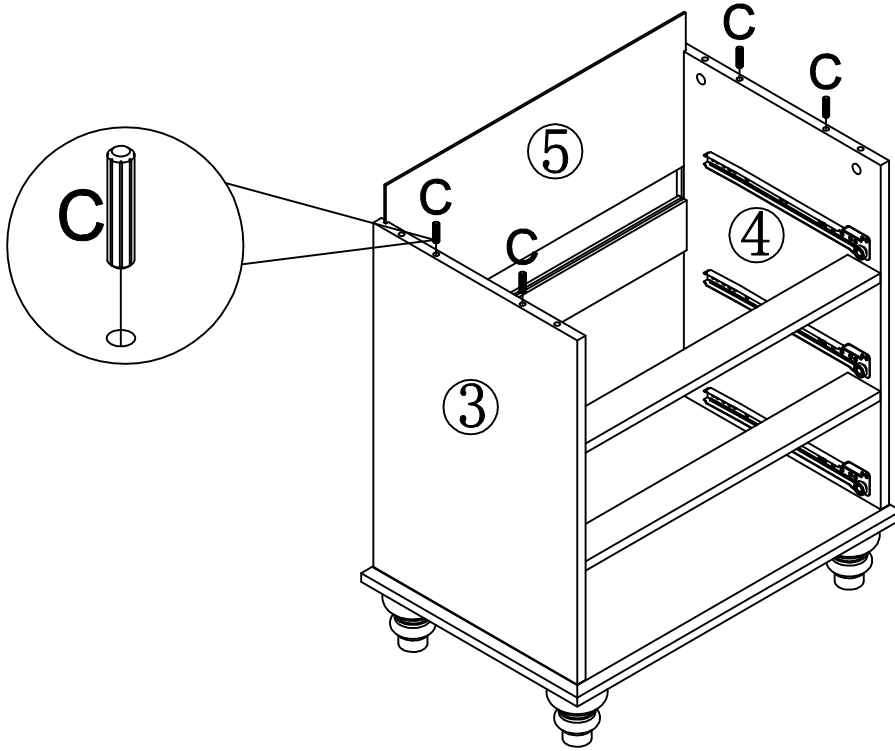
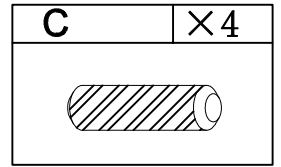
Note that the raised end faces down!



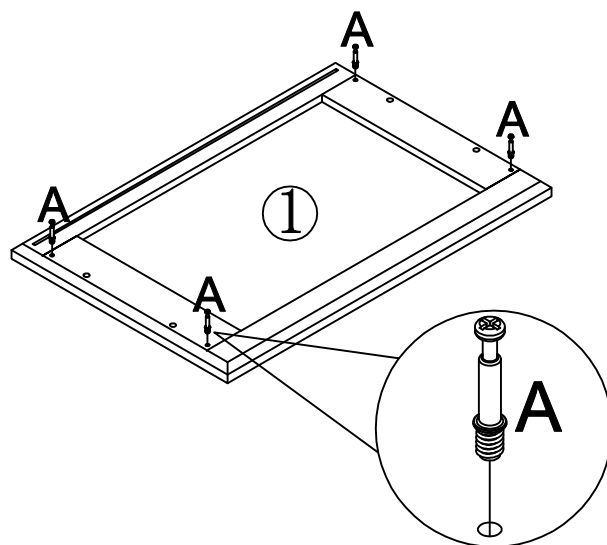
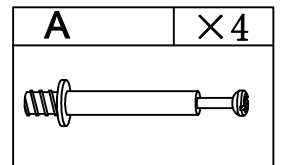
# Step 8



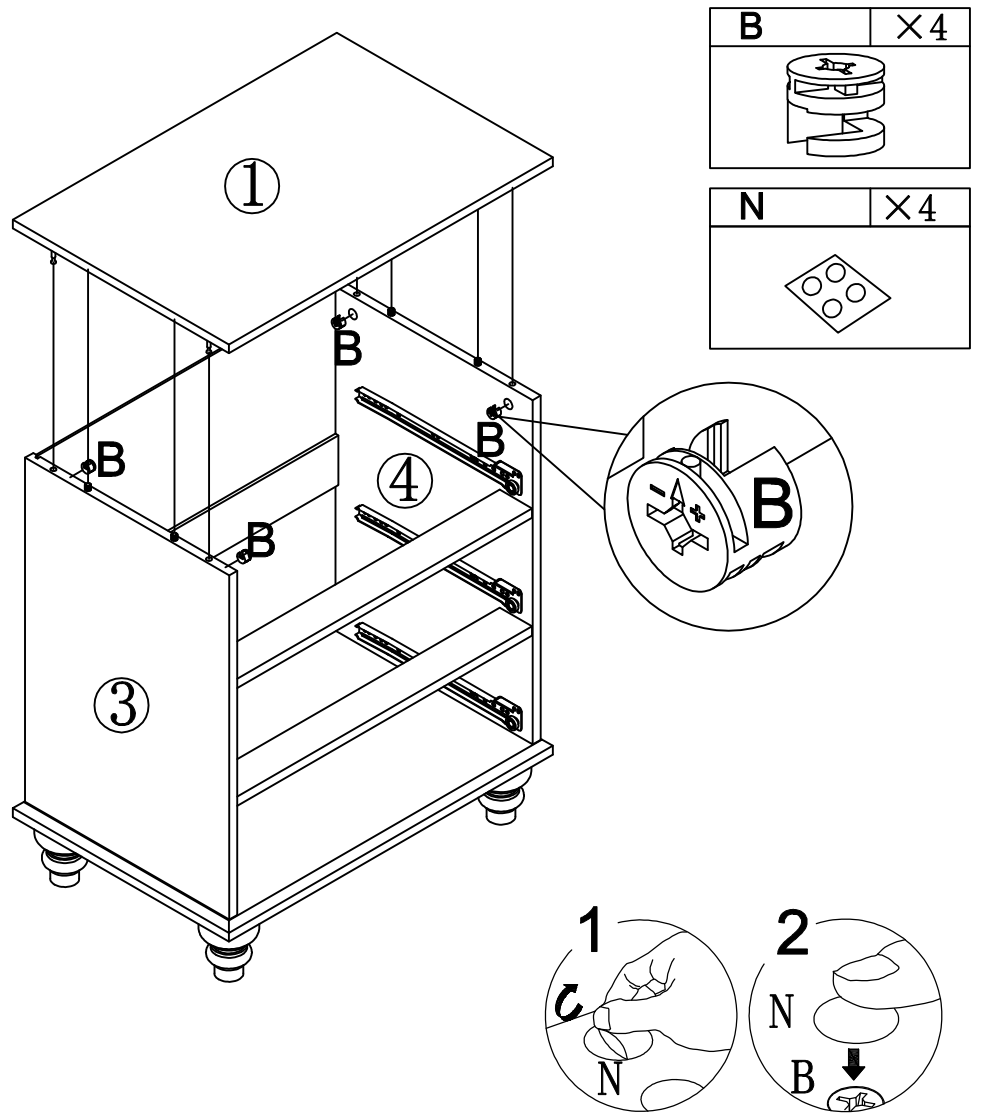
# Step 9



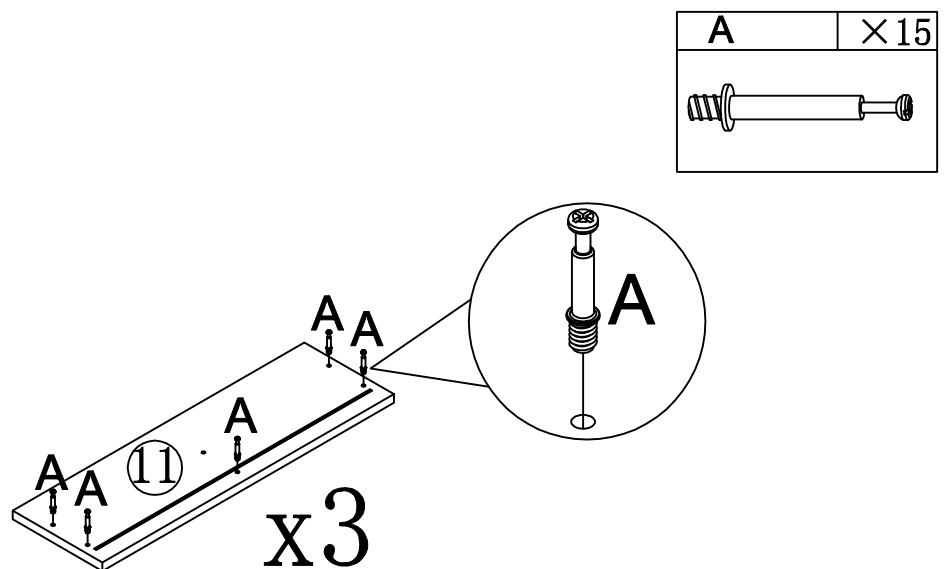
# Step 10



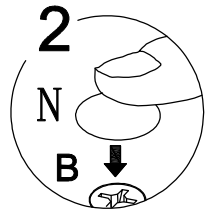
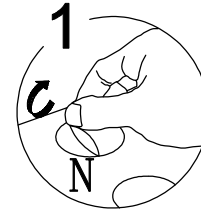
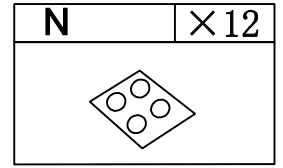
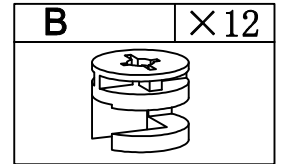
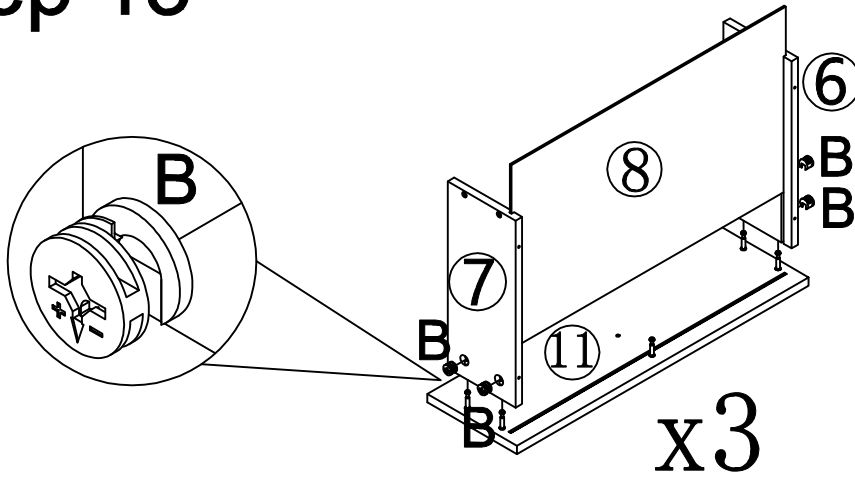
# Step 11



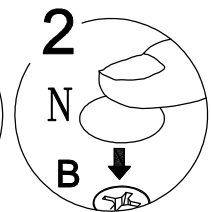
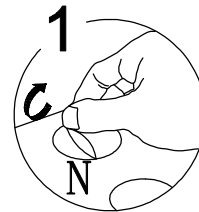
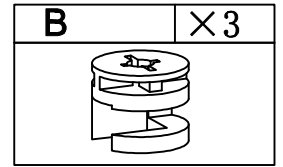
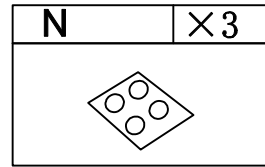
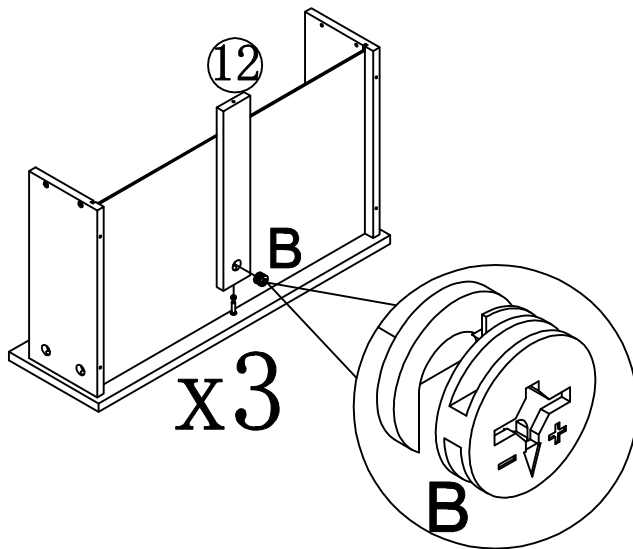
# Step 12



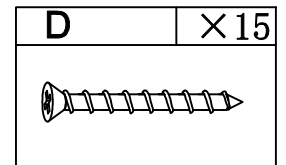
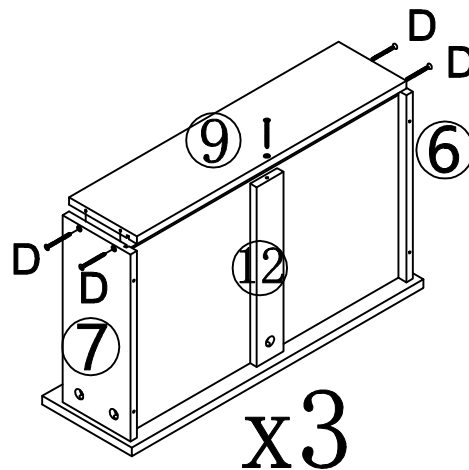
# Step 13




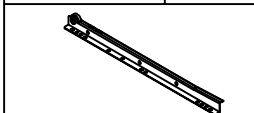
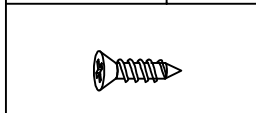
# Step 14

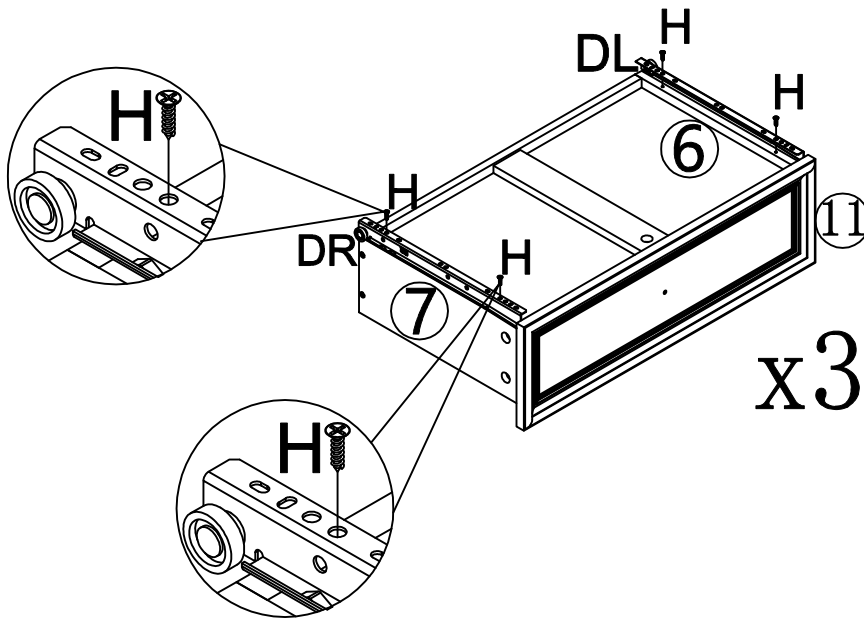
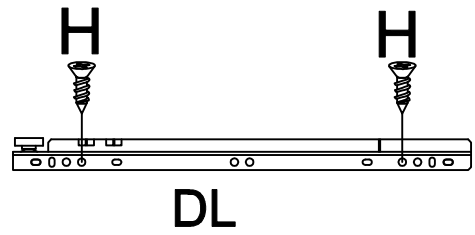
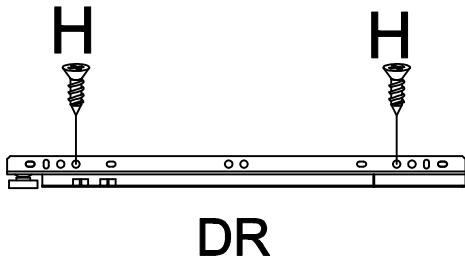


# Step 15

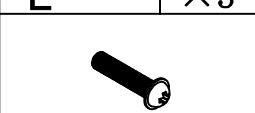
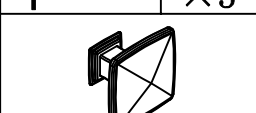


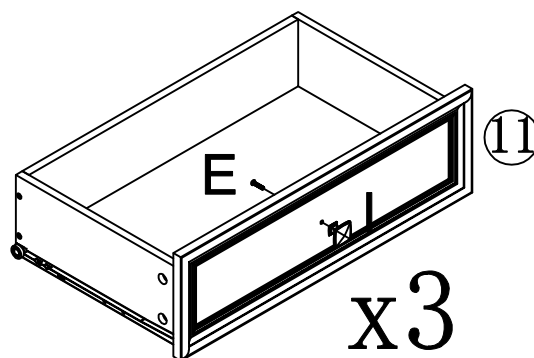
# Step 16

DL	X3	DR	X3	H	X12
					

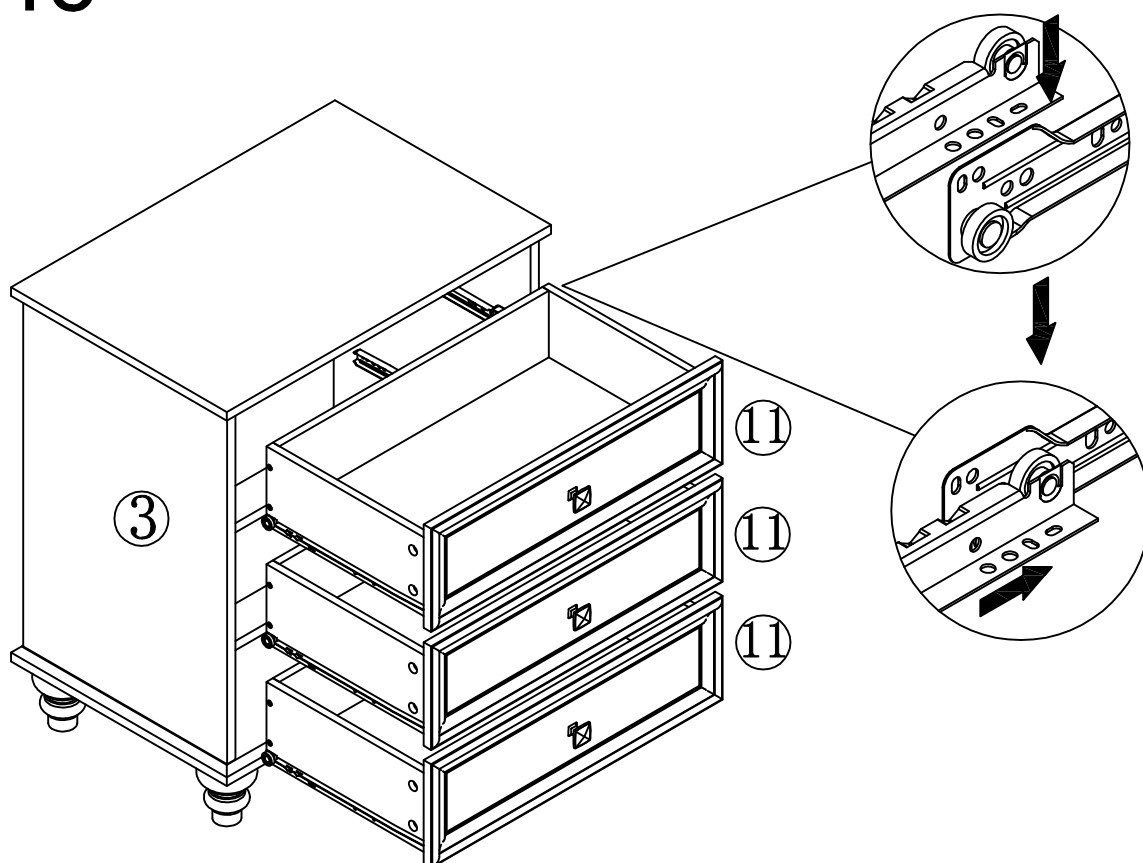


# Step 17


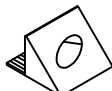
E	X3	I	X3
			

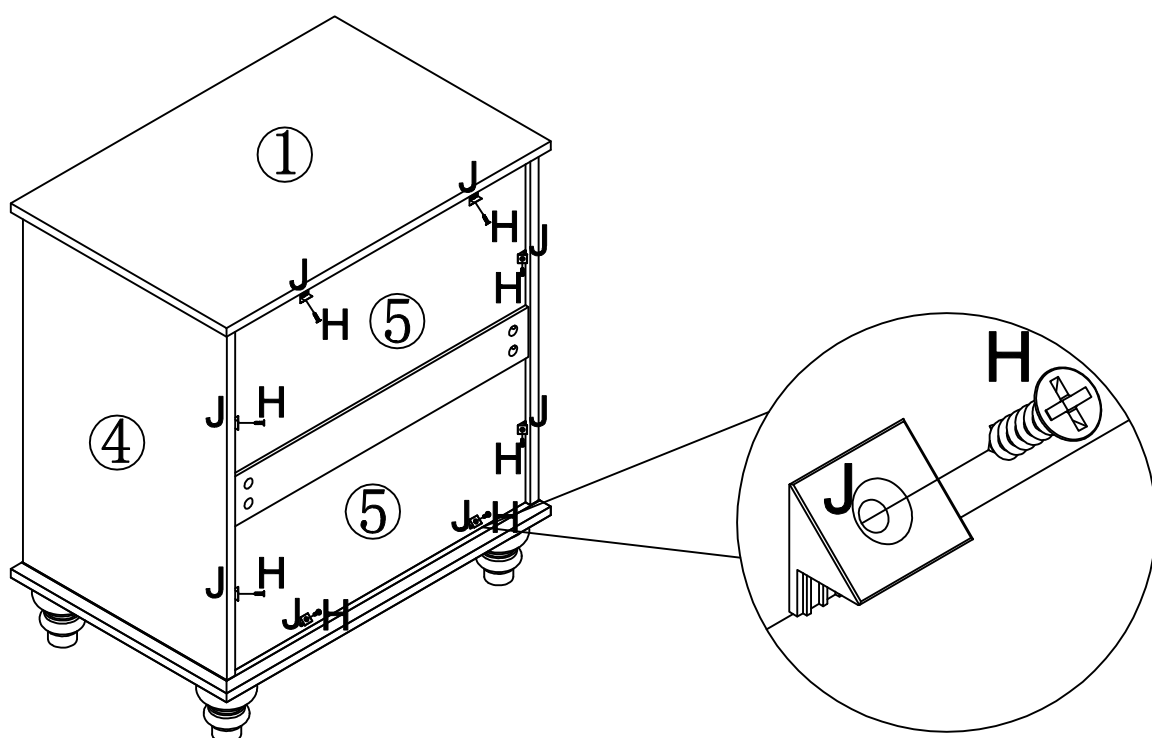


# Step 18

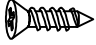
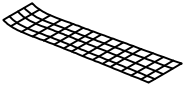


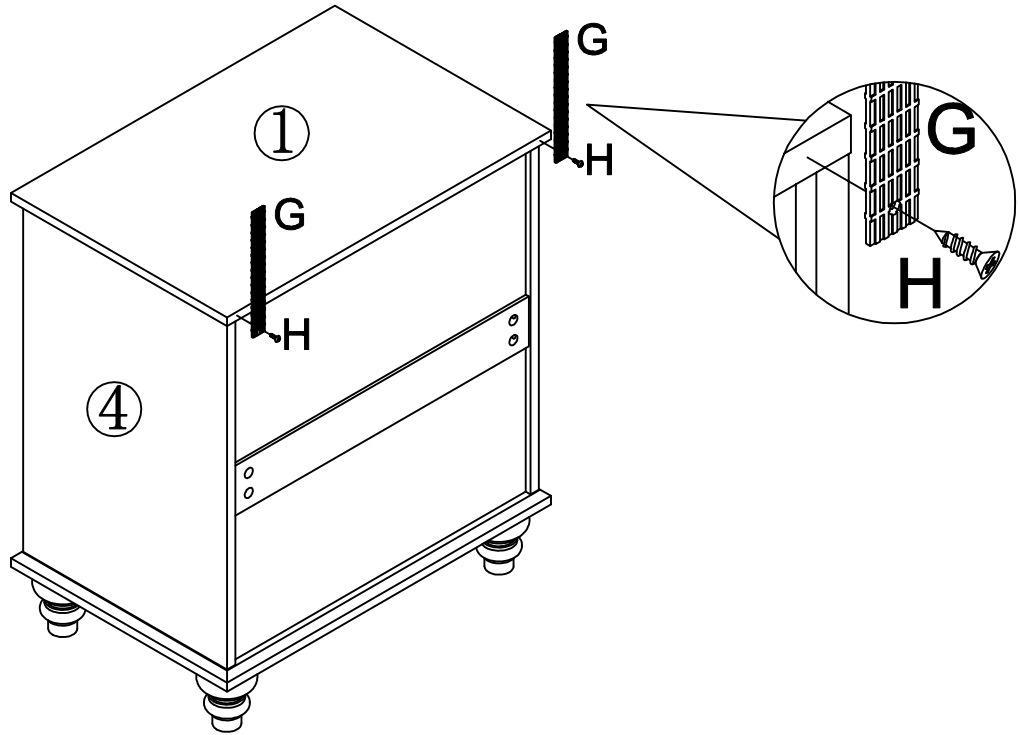
# Step 19

H	X8	J	X8
			

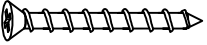



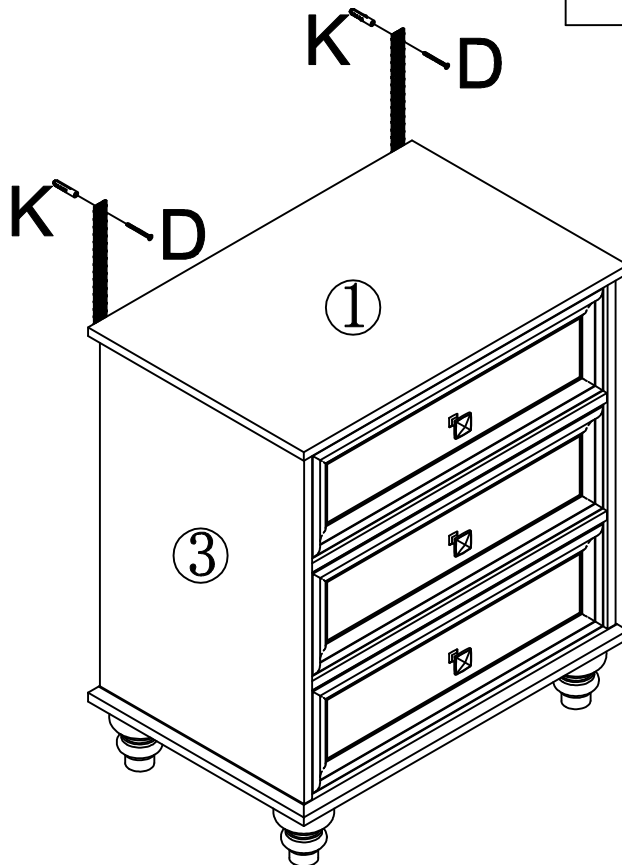
# Step 20

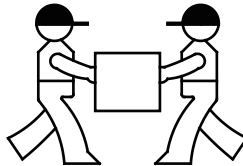
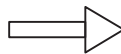
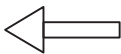
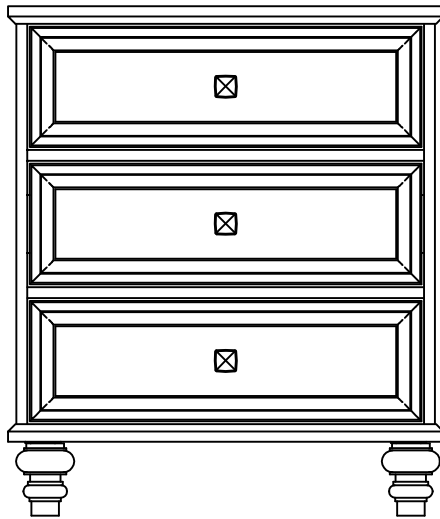
H	×2	G	×2
			



# Step 21

D	×2	K	×2
			





Two people work together to move the table.  
Make sure you lift it off the ground.  
Don't push and pull.