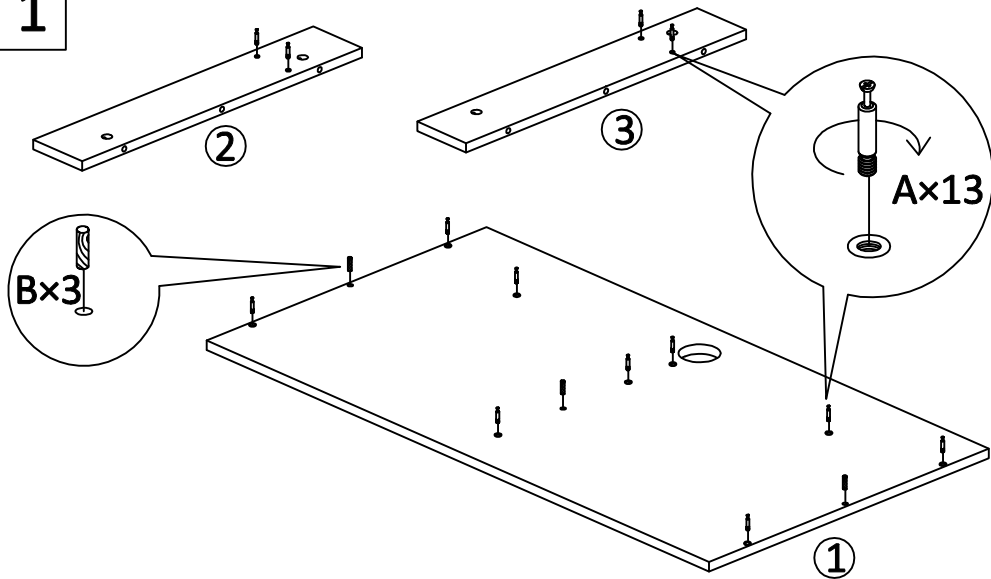


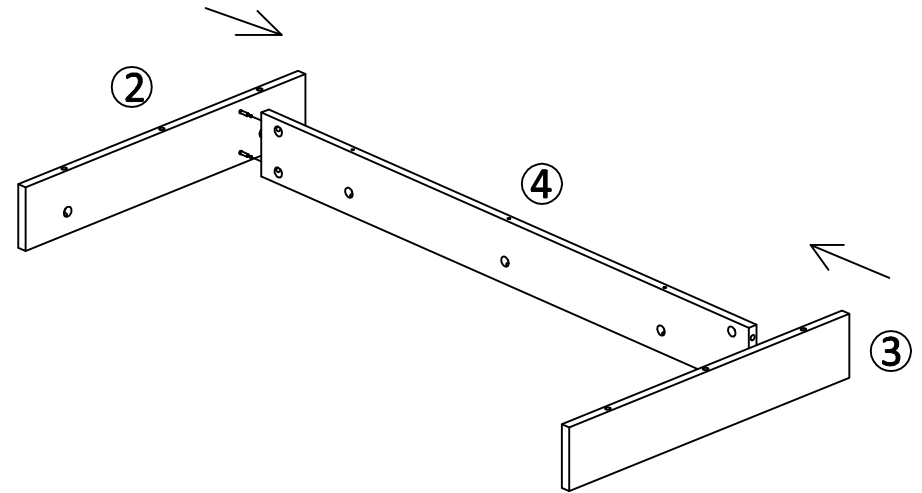
Installation Steps

Caution: If the table wobbles loosen the parts and try to assemble again. Our table can only be used on a flat, level surface. For better use, we may advise you tighten all the screws every few months.

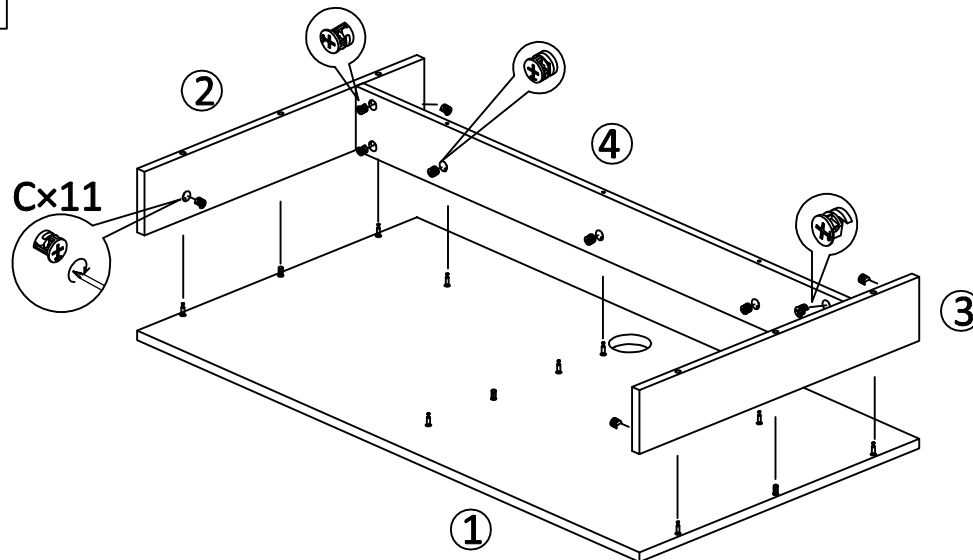
1



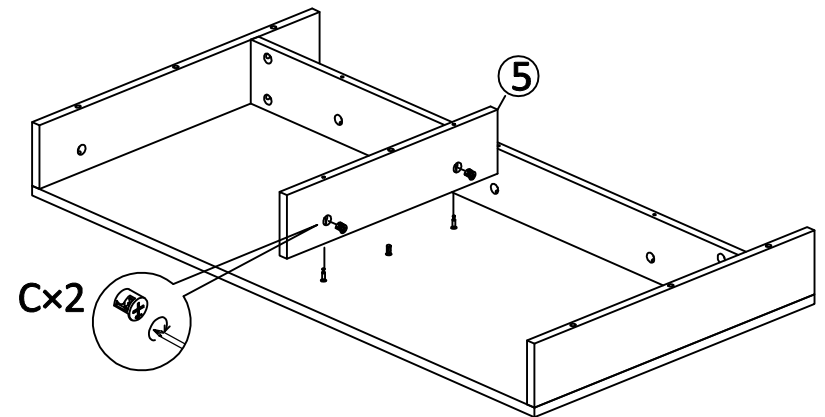
2



3

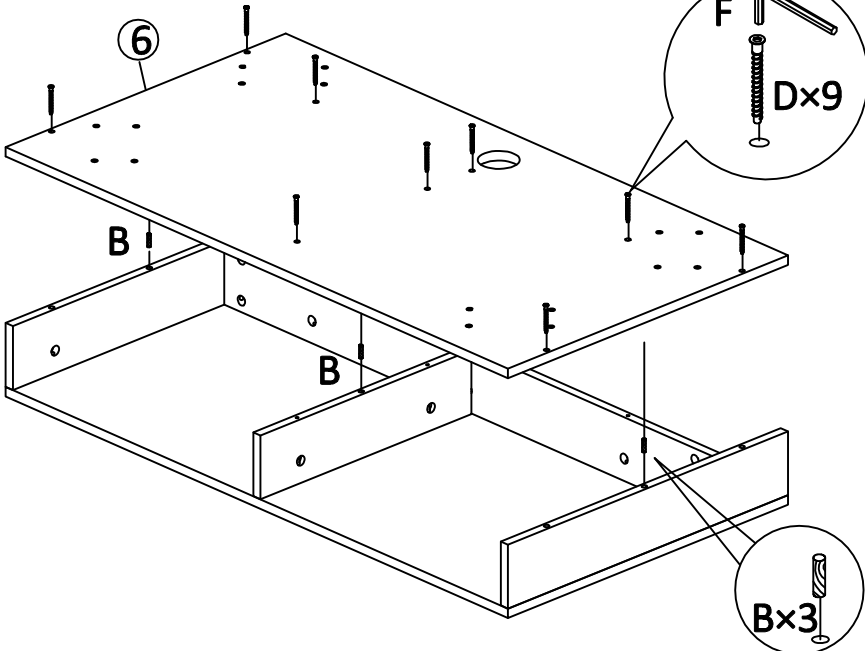


4

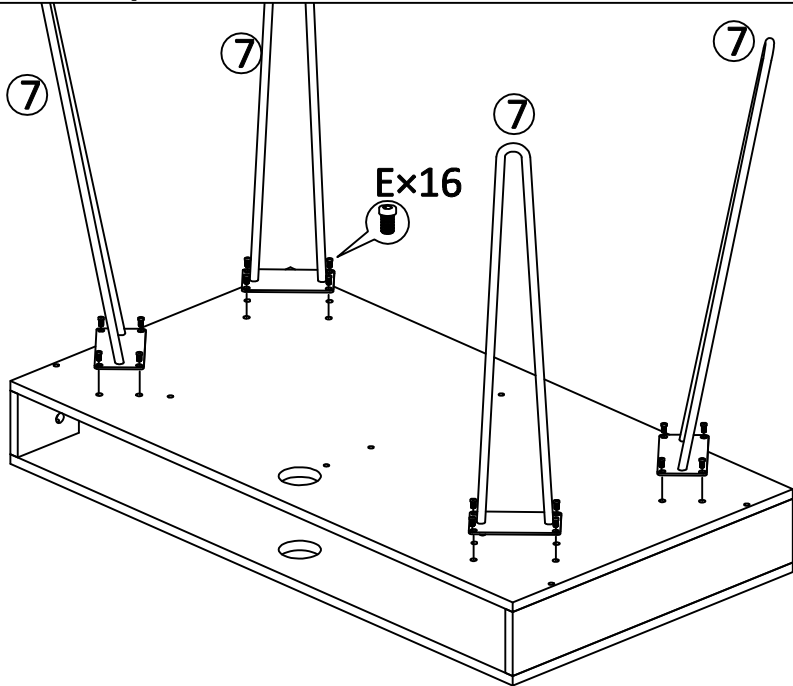


Installation Steps

5



6



7

