

CARE AND MAINTENANCE

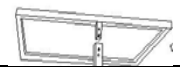

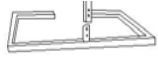


Dust with a soft, dry cloth. Do not use abrasive cleaner. To clean mirror, spray a small amount of glass cleaner onto a lint-free cloth and wipe mirror clean.

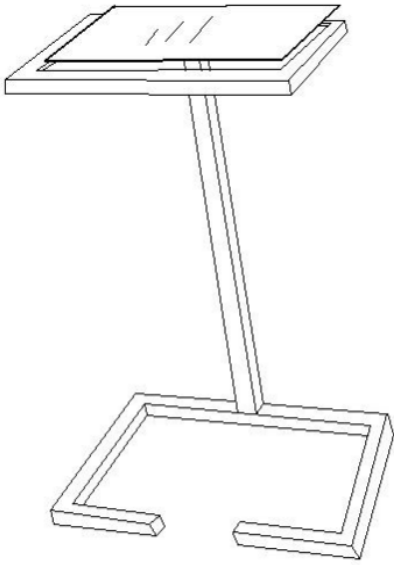
Notice

- * Please make sure that you have all parts indicated before you begin assembly of this item
- * This item should be assembled on a soft surface to prevent scratching the finish during assembly
- * This item may require periodic tightening

Product Dimensions: 16"W X 10.1"D X 21"H

Part List and Hardware List

Piece	Description	Picture	Quantity
A	Top Shelf		1 X
B	Middle Post		2 X
C	Bottom Base		1 X
D	Assembly Screws		4 X
E	Glass Top		1 X

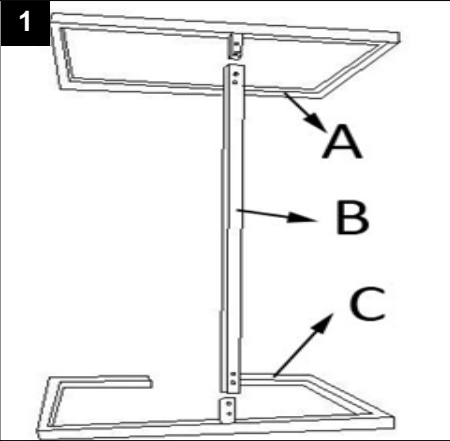


Preparation

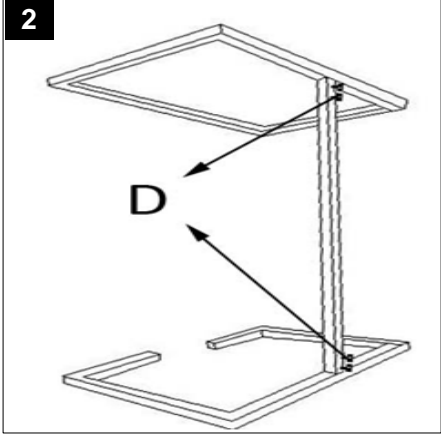
Before beginning assembly of product, make sure all parts are present. Compare parts with package contents list and hardware contents list. If any part is missing or damaged, do not attempt to assemble the product.

Estimated Assembly Time: 10 minutes.

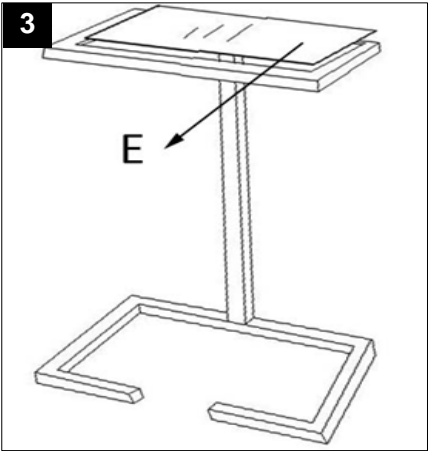
Tools Required for Assembly (included): No



Step 1
Assemble the Top Shelf (A), Middle Posts (B) and Bottom Base (C) as shown in the picture



Step 2
Tighten them together using 4 assembly screws (D) as shown in the picture.



Step 3
Carefully place the Glass Top (E) on the Top Shelf (A)