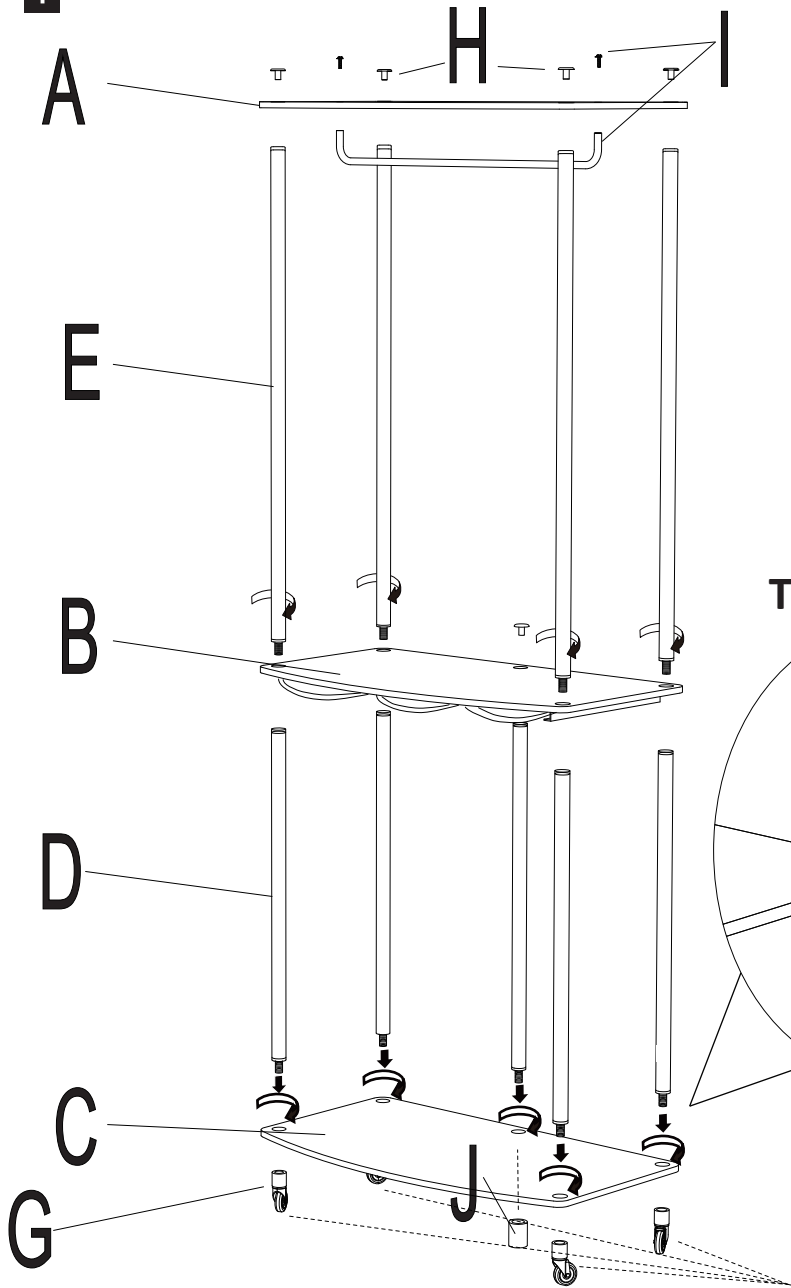
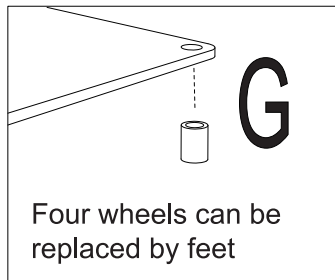
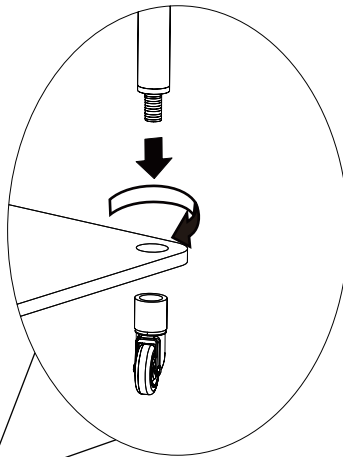


# Assembly

1

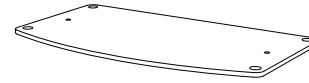


Twist & Lock

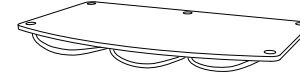


# Parts

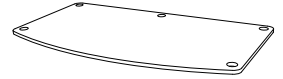
**Ax1**  
Top Shelf



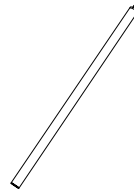
**Bx1**  
Middle Shelf



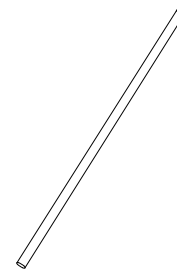
**Cx1**  
Bottom Shelf



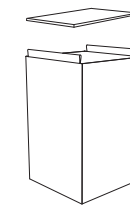
**Dx5**  
Bottom Tube



**Ex4**  
Top Tube



**Fx3**  
Bag



**Gx4**  
Casters



**Hx5**  
Flat Screw



**Ix1**  
Hanger Bar



**Jx5**  
Foot



# Assembly

2

