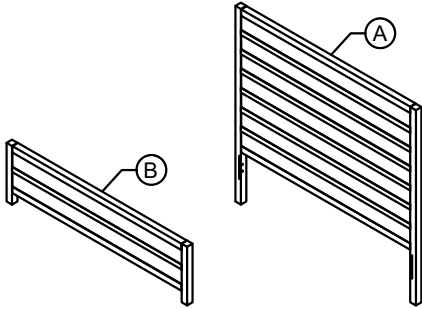


# LOW PROFILE FULL/QUEEN BED ASSEMBLY INSTRUCTIONS

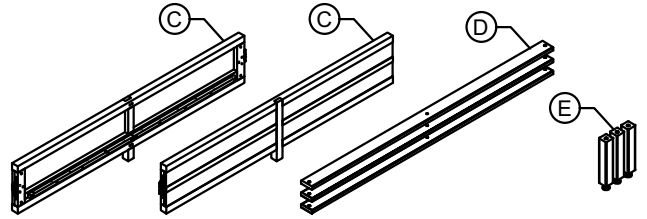
## BOX #1

- A. HEADBOARD 1PC
- B. FOOTBOARD 1PC

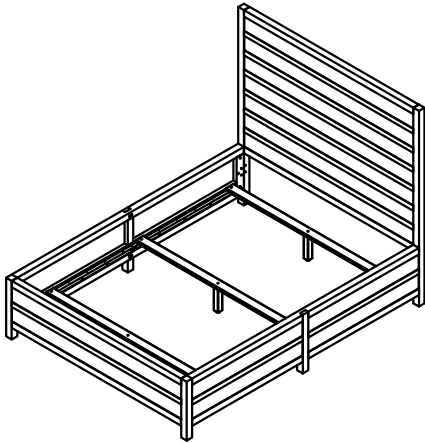


## BOX #2




- C. SIDE RAIL 2 PCS
- D. BED SLAT 3 PCS
- E. LEG SUPPORT 3 PCS
- BED HARDWARE BOX\*



## LOW PROFILE BED ASSEMBLED

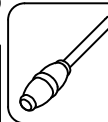


## BED HARDWARE PACKED IN BOX #2

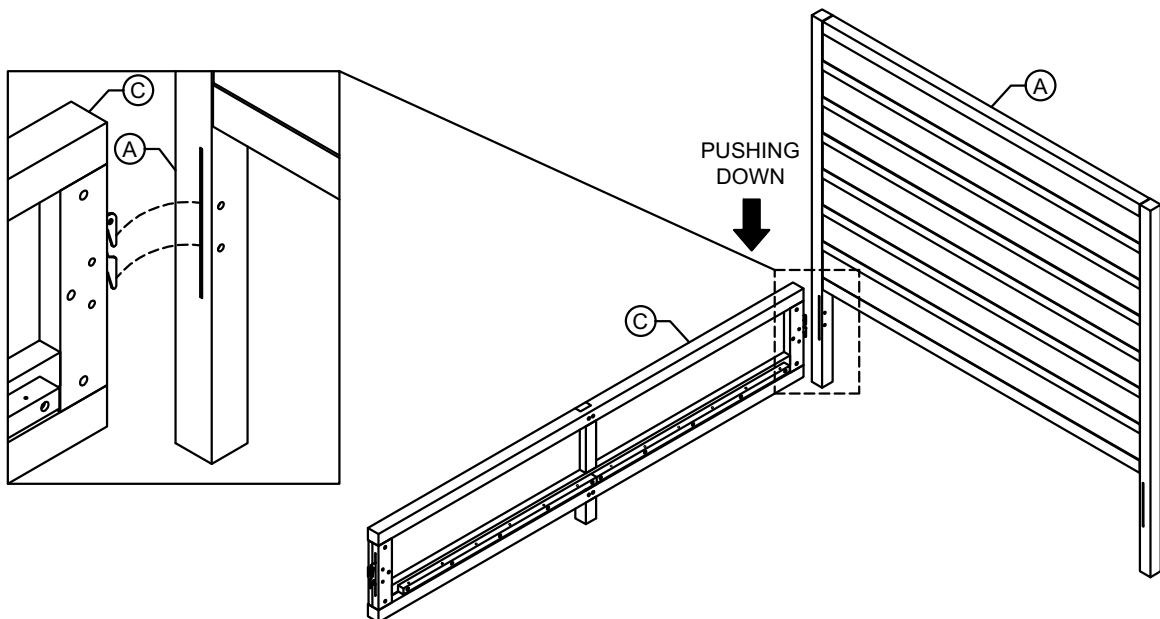
1	ALLEN BOLT (6x40mm)		4 PCS
2	WOOD SCREW (8x30mm)		7 PCS
3	ALLEN KEY		1 PC

**TOOL REQUIRED :** PHILLIPS HEAD SCREWDRIVER (NOT PROVIDED)

**YOUR BOX  
MAY CONTAIN  
EXTRA HARDWARE**



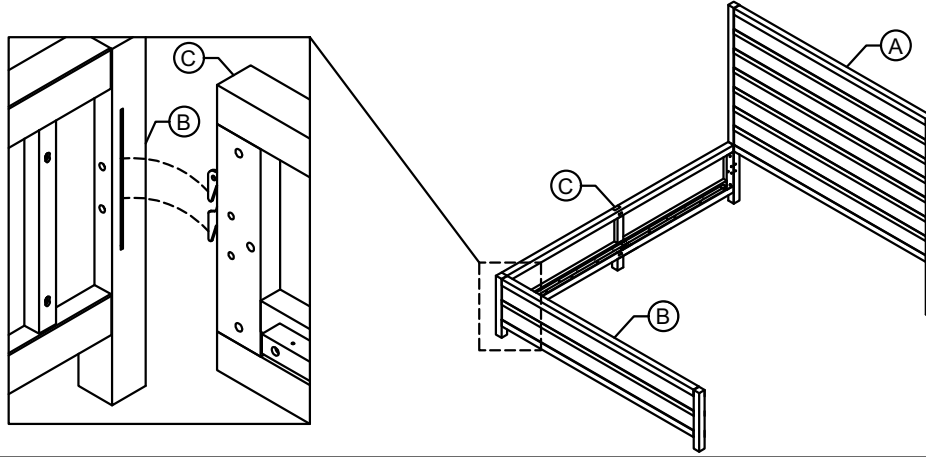
## STEP 1 :



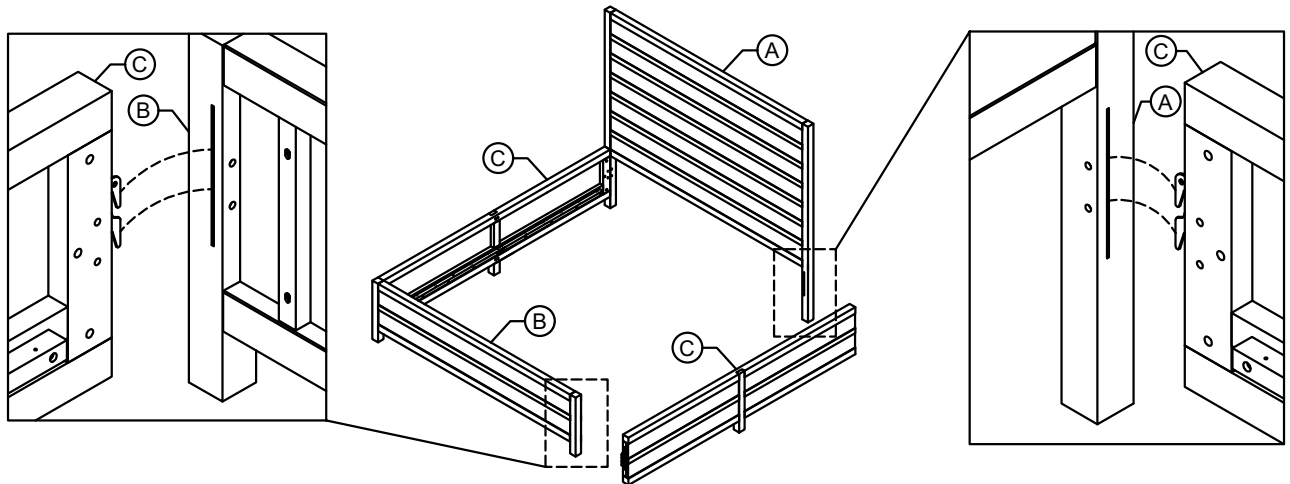
# LOW PROFILE FULL/QUEEN BED

## ASSEMBLY INSTRUCTIONS

### STEP 2 :



### STEP 3 :

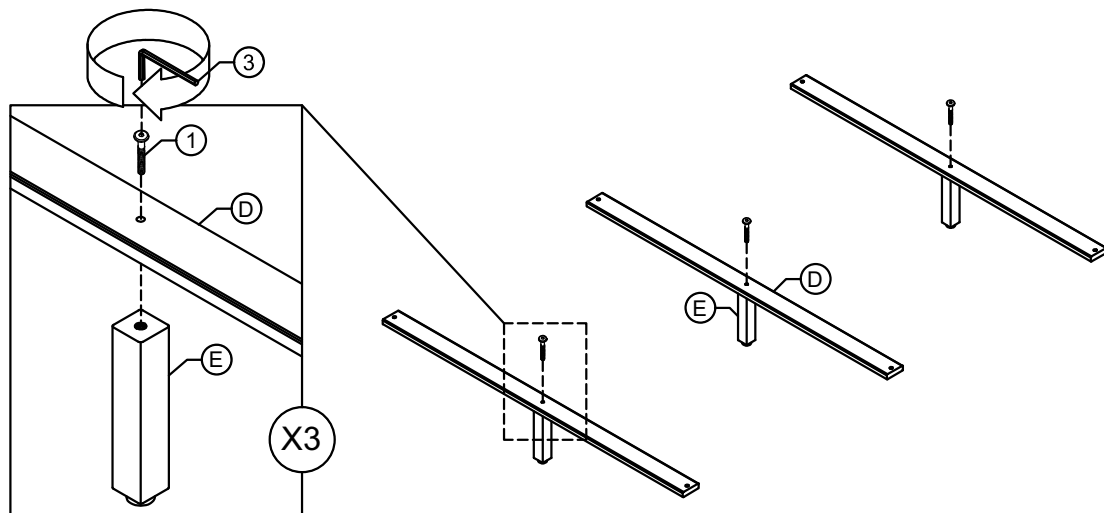


### STOP :



IF USING BED FRAME WITH ADJUSTABLE MATTRESS BASE, SKIP TO APPENDIX A: ADJUSTABLE MATTRESS BASE ASSEMBLY SUPPLEMENT.  
IF USING BED FRAME WITH STANDARD BOX SPRING OR FOUNDATION CONTINUE TO STEP 4.

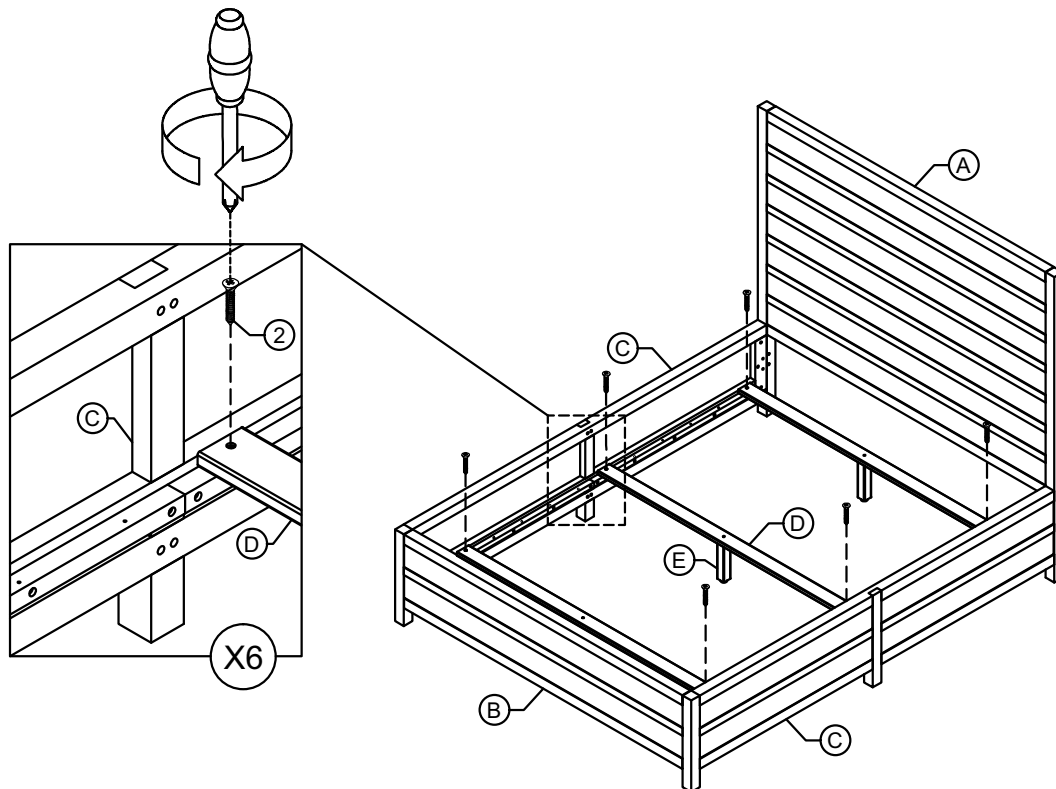
### STEP 4 :



UPDATED : JUNE 4TH, 2020

# LOW PROFILE FULL/QUEEN BED ASSEMBLY INSTRUCTIONS

## STEP 5 :

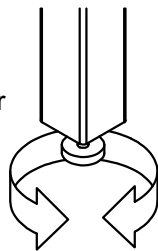


## INSTRUCTIONS FOR ADJUSTING LEVELER :

Position the bed in your space and locate the leveler under each leg support (E).

Turn the leveler counter-clockwise to extend the leveler and clockwise to retract it.

Adjust each leveler until each leg support is applying equal, upward pressure on the bed slat support .



## MAINTENANCE INSTRUCTION :

- Remove box spring and mattress before moving your bed.
- Lift your bed when moving it. Dragging can damage the leg support.
- Readjust levelers after moving your bed.

# LOW PROFILE FULL/QUEEN BED

## APPENDIX A: ADJUSTABLE MATTRESS BASE ASSEMBLY SUPPLEMENT

AN ADJUSTABLE MATTRESS BASE IS A FREESTANDING MATTRESS SUPPORT THAT SITS WITHIN THE PERIMETER OF THE BED FRAME.

IF USING THIS BED FRAME WITH A STANDARD BOX SPRING OR FOUNDATION THESE INSTRUCTIONS DO NOT APPLY.

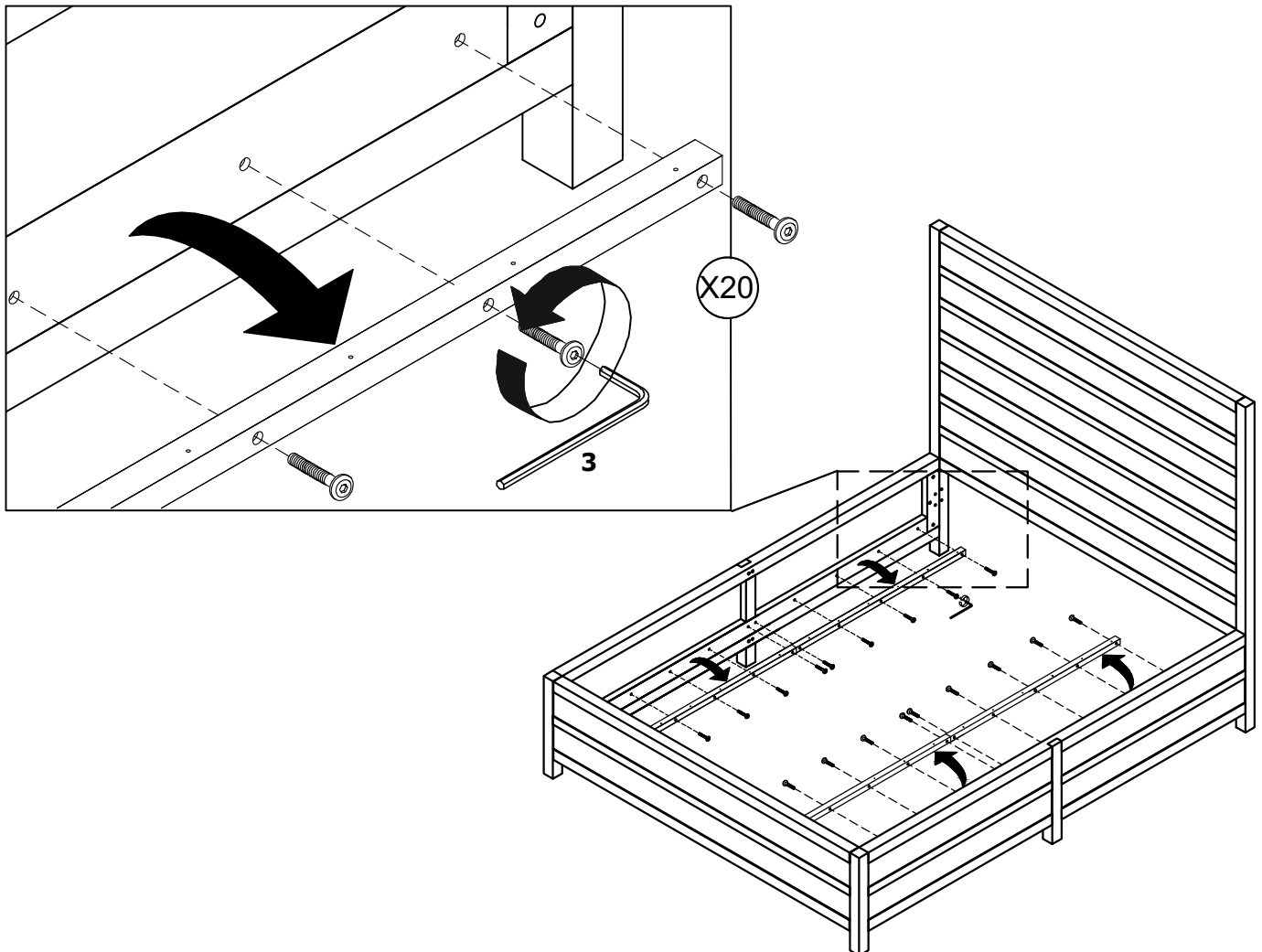
PRE-ASSEMBLED SIDE RAIL CLEATS OBSTRUCT ADJUSTABLE BASE INSTALLATION AND OPERATION. FOLLOW THESE INSTRUCTIONS TO REMOVE THEM.

### THE FOLLOWING PARTS ARE NOT REQUIRED FOR ADJUSTABLE MATTRESS BASE INSTALLATION:

D. BED SLAT	3 PCS	1. ALLEN BOLT (6x40mm)	4 PCS
E. LEG SUPPORT	3 PCS	2. WOOD SCREW (8x30mm)	7 PCS

### STEP 1:

USE ALLEN KEY (3) TO UNSCREW ALLEN BOLTS AND REMOVE PRE-ASSEMBLED SIDE RAIL CLEATS.



NOTE: YOU MAY WISH TO RETAIN UNUSED PARTS IF IN THE FUTURE YOU INTEND TO USE THE BED FRAME WITH A STANDARD BOX SPRING OR FOUNDATION.

UPDATED : JUNE 4TH, 2020