

**DESCRIPTION**

The H7 recessed housing is the standard in the industry for both commercial and residential applications. The wide variety of trims available allows a number of different lighting effects to be created with one basic housing. H7ICT is for installations where the housing will be in direct contact with insulation.

Catalog #		Type
Project		
Comments		Date
Prepared by		

**DESIGN FEATURES**

**Housings**

Aluminum construction for greater heat dissipation.

**Socket Plate**

Rigid socket plate adjusts and locks without tools for various lamp sizes.

**Plaster Frame**

Housing adjusts in plaster frame to accommodate up to 1-3/4" ceiling thickness. Plaster frame features include:

- Regressed locking screw for securing hanger bars
- Cutouts for easily crimping hanger bars in position
- Halo name embossed on plaster frame Galvanized steel construction. The housing can be removed from plaster frame to provide access to the junction box.

**Junction Box**

Junction box features include:

- Listed for through branch circuit wiring
- Positioned to accommodate straight conduit runs
- Seven 1/2" trade size conduit knockouts with true pry-out slots
- Slide-N-Side™ connectors allow non-metallic sheathed cable to be installed without tools and without removing knockouts. Accepts a wider range of non-metallic sheathed cable – the standard cable types used in lighting for both U.S. and Canada.

- Allows wiring connections to be made outside the junction box
- Simply insert the cable directly into the trap after connections are made
- accommodates the following standard non-metallic sheathed cable types: (US) #14/2, #14/3, #12/2, #12/3 (Canada) #14/2, #14/3, #12/2

**GOT NAIL! Pass -N-Thru™ Bar Hangers**

Bar Hanger Features include:

- Pre-installed nail easily installs in regular lumber, engineered lumber and laminated beams
- Safety and guidance system prevents snagging, ensures smooth straight nail penetration and allows bar hangers to be easily removed if necessary.
- Automatic levelling flange aligns the housing and lets you hold the housing in place with one hand while driving nails
- Housing can be positioned at any point within 24" joist span
- Score lines allow "toolless" shortening for 12" joists
- Bar hangers may be repositioned 90°
- Bar hangers do not need to be removed from frame for shortening
- Integral T-bar clips snaps onto T-bars - no additional clips required

**Socket**

Porcelain socket with nickel plated brass screw shell, snaps into trim for consistent lamp positioning.

**Thermal Protector**

Self resetting thermal protector deactivates fixture if overheating occurs due to improper lamping.

**Labels**

- UL/cUL Listed
- UL/cUL Listed for Feed Through
- UL/cUL Listed for Damp Location
- UL/cUL Listed for Direct Contact with insulation and combustible material\*



**H7ICT**

**6" Insulated Ceiling Recessed Housing**

**6" TRIMS**

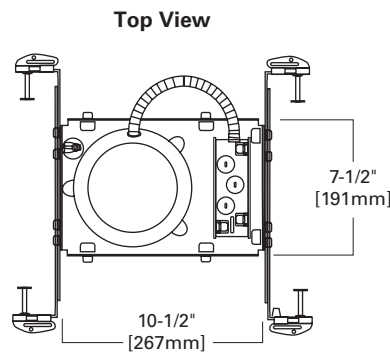
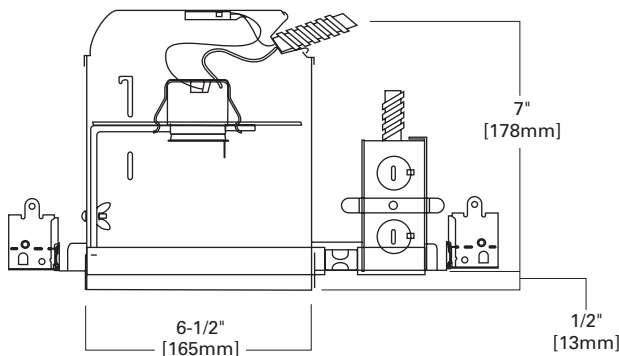
**FOR USE IN INSULATED CEILINGS**

**FOR DIRECT CONTACT WITH INSULATION\***

This housing is Air-Tite™ when used with the following trims:

- 170PS
- 171PS
- 173PS
- 78PAT
- 30 (All Styles)
- 430 (All Styles)
- ERT712 (All Styles)
- ERT713 (All Styles)
- ERT721
- ERT723
- ERT725 (All Styles)

\* Not to be used in direct contact with spray foam insulation.



## ORDERING INFORMATION

**SAMPLE NUMBER:** H7ICT - 426RG  
Order housing, trim and accessories separately.

Housing	6" Trims		
H7ICT = 6" insulated ceiling housing	<b>30 Super Trim™ Air-Tite™ Reflector (60W A19, 65W BR30, 65W PAR38, 75W PAR30, 75W R30, 75W PAR30L, 90W BR40)</b> 30CAT = White trim, specular clear reflector 30HAT = White trim, haze reflector 30RGAT = White trim, residential gold reflector OD: 7-1/4" [184mm]	<b>376 Adjustable Gimbal - 30° Tilt (50W PAR30, 50W PAR30L)</b> 376P = White trim, clear specular splay 376W = White trim & splay OD: 7-1/4" [184mm]	<b>328 White Splay Trim (65W BR30, 75W PAR30, 75W PAR30L)</b> 90P = White trim & eyeball OD: 8" [203mm]
	<b>30SBAT Super Trim™ Air-Tite™ Reflector (40W A19, 50W PAR30, 50W PAR38, 65W BR30, 75W PAR30L, 75W R30)</b> 30SBAT = Specular black reflector, Air-Tite™ OD: 7-1/4" [184mm]	<b>378 Adjustable with Splay - 25° Tilt (35W PAR30L)</b> 378 = White trim, clear specular splay 378P = White trim & splay OD: 7-1/4" [184mm]	<b>ERT712 White Reflector, Air-Tite™ (40W A19, 65W BR30, 75W PAR30, 75W PAR30L, 75W R30, 90W BR40)</b> ERT712TS = High gloss appliance white trim with white reflector, torsion springs ERT712 = High gloss appliance white trim with white reflector OD: 7-1/4" [184mm]
	<b>404 Specular Reflector (60W A19)</b> 404C = White trim, specular clear reflector 404H = White trim, haze reflector 404RG = White trim, residential gold reflector 404SN = Satin nickel trim, satin nickel reflector 404TBZ = Tuscan bronze trim & reflector OD: 7-1/4" [184mm]	<b>420 Regressed Eyeball - 30° Tilt (50W PAR30L, 50W PAR30, 60W BR30)</b> 420P = White trim & eyeball, black baffle 420W = White trim & eyeball, white baffle OD: 7-1/4" [184mm]	<b>ERT713 Black Metal Baffle, Air-Tite™ (40W A19, 65W BR30, 75W PAR30, 75W PAR30L, 90W BR40)</b> ERT713 = High gloss appliance white trim with black baffle ERT713TS = High gloss white trim with black baffle, torsion spring OD: 7-1/4" [184mm]
	<b>426 Reflector Cone (50W PAR30, 75W R30, 65W BR30, 75W PAR30L)</b> 426 = White trim, specular clear reflector 426H = White trim, haze reflector 426RG = White trim, residential gold reflector 426CG = White trim, champagne gold reflector 426MB = White trim, specular black reflector 426SN = Satin nickel trim & reflector 426TBZ = Tuscan bronze trim & reflector OD: 7-1/4" [184mm]	<b>478 Adjustable with Splay - 25° Tilt (45W PAR38)</b> 478 = White trim, clear specular splay 478P = White trim & splay OD: 7-1/4" [184mm]	<b>ERT713L Black Metal Baffle, Air-Tite™ (75W BR40, 65W BR30, 75 PAR30L)</b> ERT713L = High gloss appliance white trim with black baffle ERT713LTS = High gloss white trim with black baffle, torsion spring OD: 7-1/4" [184mm]
	<b>429 Dayform White Cone (50W PAR30, 75W R30, 65W BR30, 75W PAR30L)</b> 429P = White cone OD: 7-1/4" [184mm]	<b>74 Eyeball - 30° Tilt (75W PAR30)</b> 74P = White trim & eyeball OD: 8" [203mm]	<b>ERT713WHT White Metal Baffle, Air-Tite™ (40W A19, 65W BR30, 75W R30, 75W PAR30, 75W PAR30L, 90W BR30)</b> ERT713WHT = High gloss appliance white trim with white baffle ERT713WHTTS = High gloss white trim with white baffle, torsion spring OD: 7-1/4" [184mm]
	<b>430 Wall Wash with Baffle and Full Reflector, Air-Tite™ (40W A19)</b> 430P = White trim, black baffle 430W = White trim, white baffle OD: 7-1/4" (184mm)	<b>76 Adjustable Gimbal - 30° Tilt, Screw Base Lamp (45W PAR38)</b> 76P = White trim with gimbal ring OD: 8" [203mm]	<b>ERT721 Showerlight with Frosted Lens and Reflector, Air-Tite™ (40W A19)</b> ERT721 = High gloss appliance white trim with frosted glass lens OD: 8" [203mm]
	<b>4041 Self Flanged Reflector (60W A19)</b> 4041P = White self flanged reflector OD: 7-1/4" [165mm]	<b>77 Adjustable Eyeball - 30° Tilt (50W PAR20, 75W R20)</b> 77P = White trim & eyeball OD: 8" [203mm]	<b>ERT723 Showerlight with Fresnel Lens Reflector, Air-Tite™ (40W A19)</b> ERT723 = High gloss appliance white trim with fresnel glass lens OD: 8" [203mm]
	<b>4261 Self Flanged Reflector Cone (45W PAR38, 50W PAR30, 75W R30, 75W PAR30L)</b> 4261P = White self flanged reflector cone OD: 7-1/4" [184mm]	<b>78 Eyeball - 30° Tilt (65W BR30, 75W R30, 75W PAR30L, 85W BR40)</b> 78P = White trim & eyeball 78PAT = White trim & eyeball, Air-Tite™ 78SN = Satin nickel trim & eyeball 78TBZ = Tuscan bronze & eyeball OD 8" [203mm]	<b>ERT725 Metal Baffle/Splay, Air-Tite™ (50W PAR30L, 65W BR30, ERTWHT also 40W A19, 75W PAR30L)</b> ERT725 = High gloss appliance white trim with black baffle ERT725TS = High gloss white trim with black baffle, torsion spring ERT725WHT = High gloss appliance white trim with white baffle ERT725WHTTS = High gloss appliance white trim with white baffle, torsion spring OD: 7-1/4" [184mm]
	<b>312 Coilex® Baffle (50W PAR30, 65W BR30, 75W PAR30L, 75W R30)</b> 312P = White trim, black baffle 312W = White trim, white baffle OD: 7-1/4" (184mm)	<b>90 Double Bubble Adjustable - 60° Tilt (150W PAR38)</b> 90P = White trim & eyeball OD: 8" (203mm)	
	<b>30 Super Trim™ Air-Tite™ Baffle (40W A19, 65W BR30, 75W R30, 75W PAR30, 75W PAR30L, 65W PAR38, 90W BR40)</b> 30PAT = White trim, black baffle, clear reflector 30SNAT = Satin nickel trim, baffle & reflector 30TBZAT = Tuscan bronze trim, baffle & reflector 30WAT = White trim, baffle & reflector 30WATH = White trim & baffle, clear reflector OD: 7-1/4" [184mm]	<b>170 Albalite Lens &amp; Reflector (40W A19)</b> 170P = White trim, frosted albalite glass lens 170PS = White trim, frosted albalite glass lens, wet location listed & Air-tite™ OD 8" [203mm]	<b>Accessories</b>
	<b>310 Coilex® Baffle (45W PAR38, 50W PAR30, 65W BR30, 75W R30, 75W PAR30L)</b> 310P = White trim, black baffle 310PG = Wide white trim, black baffle 310W = White trim, white baffle 310WG = Wide white trim, white baffle 310SN = Satin nickel trim, black baffle 310TBZ = Tuscan bronze trim, black baffle 310W, P, SN, TBZ - OD: 7 1/4" [184mm], 310WG, PG - OD 8" [203mm]	<b>171 Drop Opal Lens with Reflector (40W A19)</b> 171P = White trim with drop opal lens 171PS = White trim with drop opal lens, wet location listed & Air-Tite™ OD 8" [203mm]	<b>Designer Trim Ring</b> See accessories section in the PSG for compatible trims <b>TRM6C</b> = Chrome <b>TRM6MB</b> = Black Metal <b>TRM6P</b> = White Metal <b>TRM6SN</b> = Satin Nickel <b>TRM6TBZ</b> = Tuscan Bronze <b>TRM6MB</b> = Black Plastic
	<b>353 Metal Baffle (50W PAR30, 65W BR30, 75W PAR30L, 75W R30)</b> 353SN = Satin nickel trim & baffle 353TBZ = Tuscan bronze trim & baffle OD: 7-1/4" [184mm]	<b>172 Dome Lens with Reflector, Wet Location Listed, Air-Tite™ (50W PAR30, 60W A19)</b> 172PS = White trim with frosted glass dome 172SNS = Satin nickel trim with frosted glass dome 172TBZS = Tuscan bronze trim with frosted glass dome OD: 7-3/4" [197mm]	<b>Oversize Trim Ring</b> For use when ceiling opening is cut too large. See accessories section in PSG for compatible trims. <b>OT400P</b> = 6" I.D. x 9 1/4" O.D. Oversized White Metal Trim Ring <b>OT403P</b> = 6" I.D. x 8" O.D. Oversized White Plastic Trim Ring
		<b>173 Fresnel Lens with Reflector (40W A19)</b> 173P = White trim with glass fresnel lens 173PS = White trim with glass fresnel lens, wet location listed & Air-Tite™ OD 8" [203mm]	<b>R/PAR Aiming Mechanism 30° Tilt, 358° Rotation</b> Accessory for 310 and 426 Trims (Allows 30° tilt and 358° rotation. 50W PAR30) <b>H930</b> = R/PAR Lamp Aiming
		<b>300 Open Trim with Socket Report (65W BR30, 75W PAR30, 75W PAR30L)</b> 300P = White trim ring 300SN = Satin nickel trim ring 300TBZ = Tuscan bronze trim ring OD: 7-1/4" [184mm]	
		<b>327 White Splay Trim (65W BR30, 75W PAR30L)</b> 327P = White splay trim with socket support & torsion springs OD: 8" (203mm)	