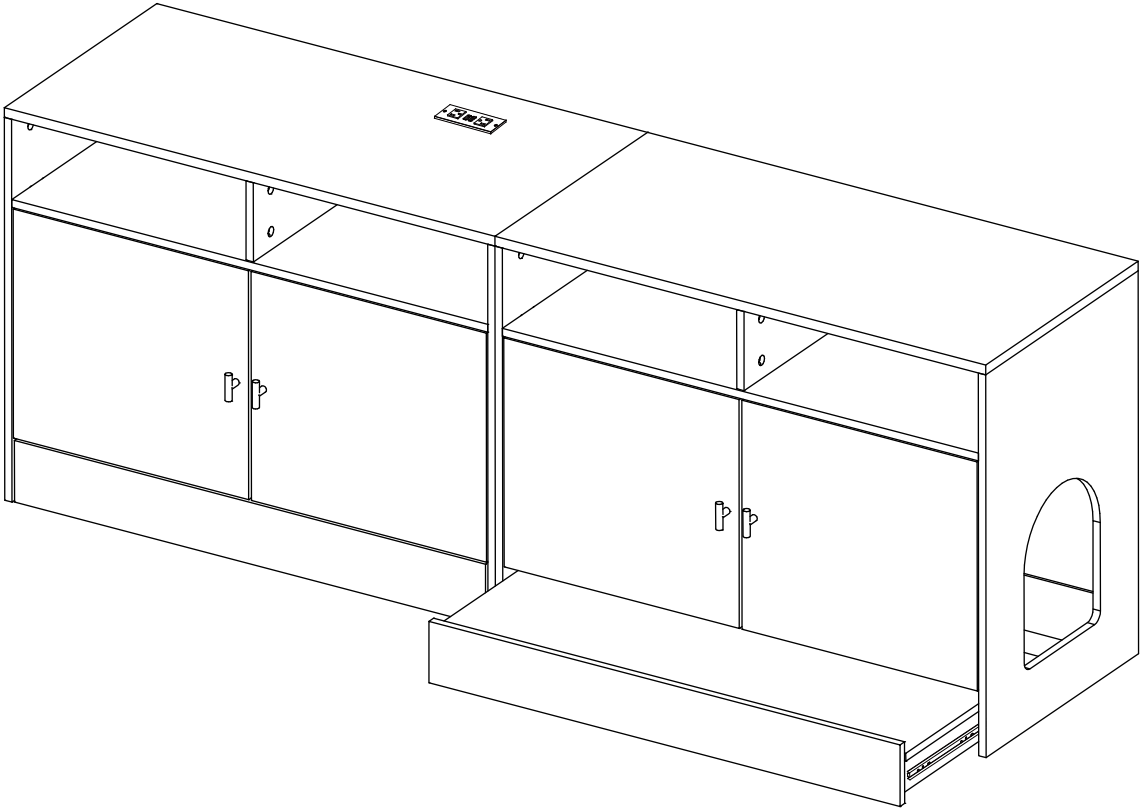


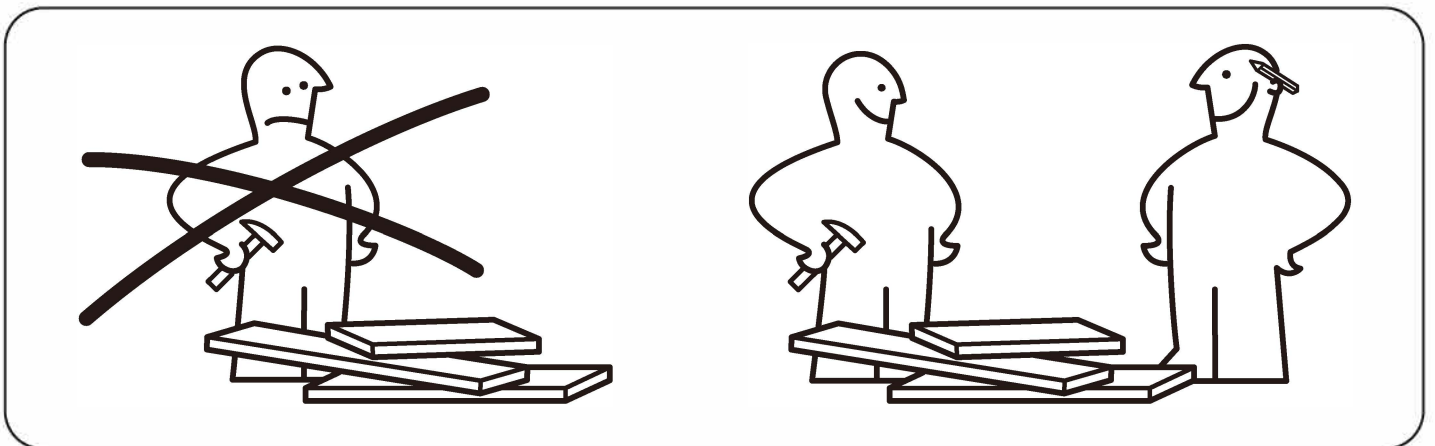
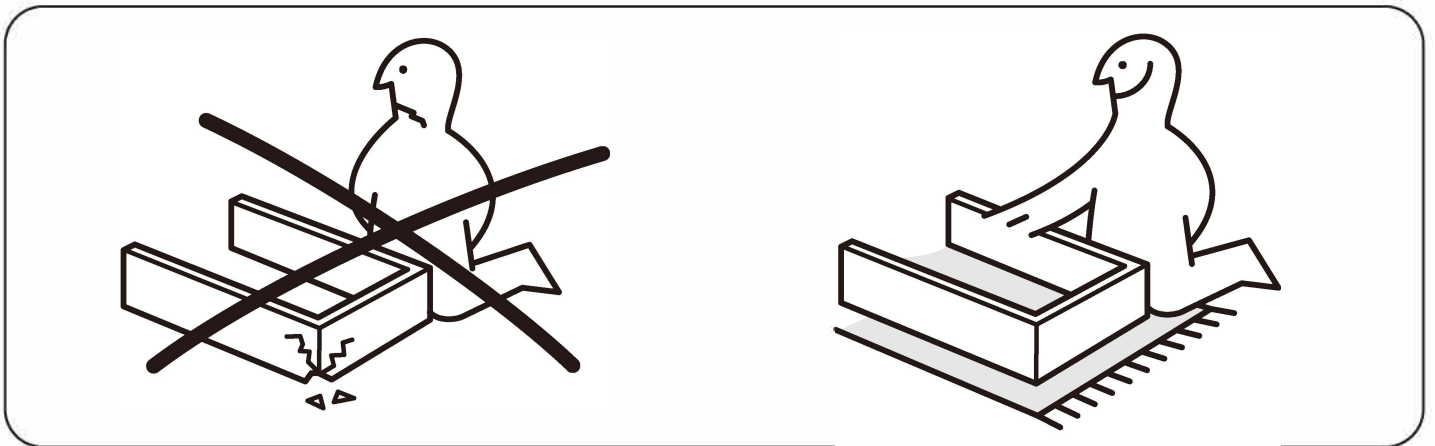
# CAT LITTER BOX ENCLOSURE

## USER MANUAL



## INTRODUCTION

Thank you for purchasing our products. Committed to providing customers with the best quality products and service has always been our lifelong goal. Before using the product, please read this instruction manual carefully to ensure correct use. Keep the instruction manual in a place where the user can find it at any time.



## PRECAUTIONS

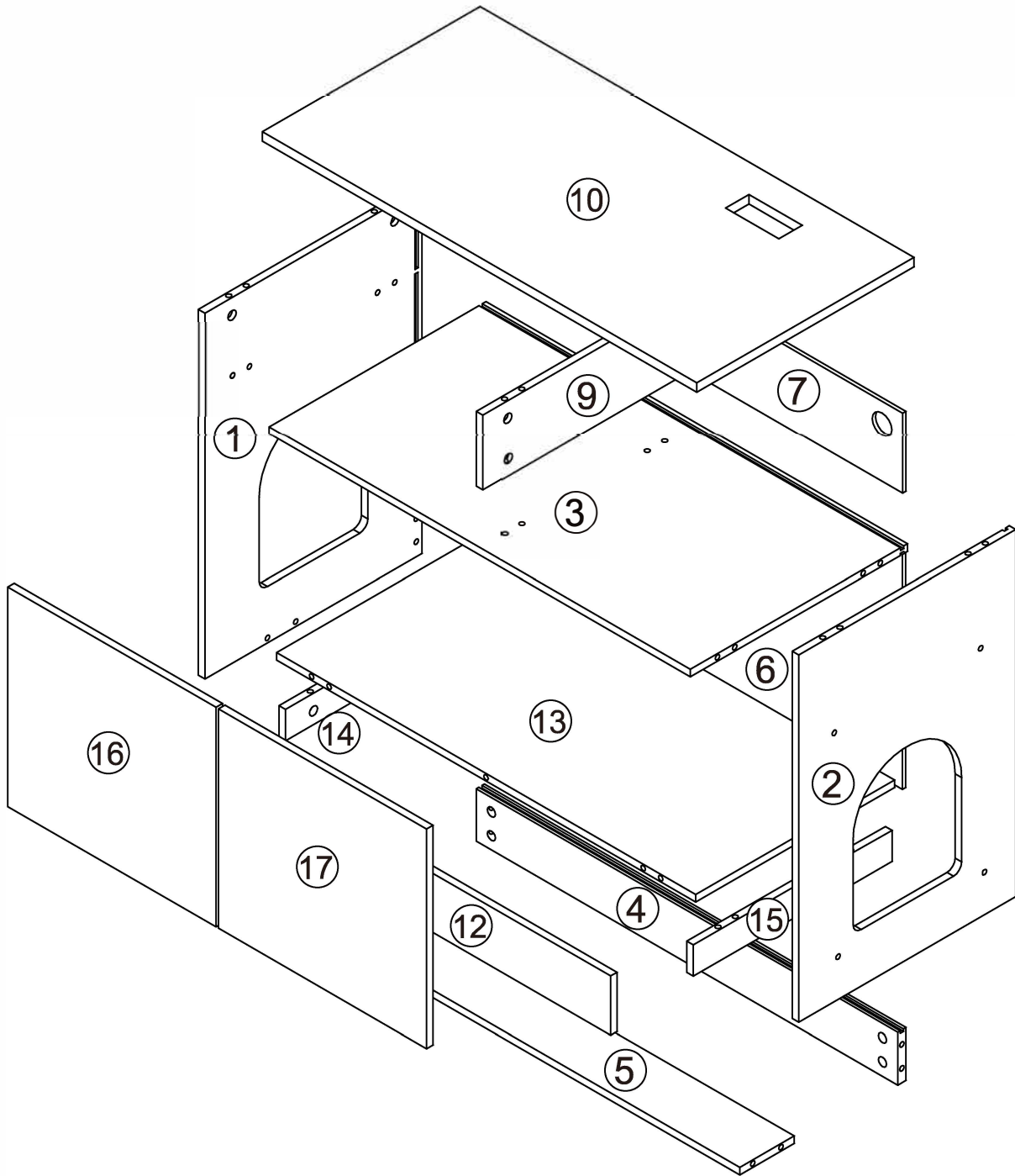
1. There are many components and accessories in the package. Each component and accessory is labeled with a letter or a number, check carefully before using any of them. Keep them away from children to prevent accidents.
2. Please install the product on a clean and soft underlay (such as carpet or cardboard) to avoid scratching or damaging the surface of the product.
3. The main components of the product is relatively heavy. Please pay attention to safety during installation.
4. The product is not stable during installation. Please do not move it randomly before it is completely installed.
5. If you have any questions during installation, please contact the customer service in time.

**\*PLEASE BE SURE TO FOLLOW THE INSTALLATION STEPS IN THE MANUAL TO AVOID UNNECESSARY LOSSES CAUSED BY IMPROPER INSTALLATION.**

**\*IF YOU NEED FUTHER ASSIATANCE,PLEASE CONTACT THE CUSTOMER SERVICE ONLINE.**

## PANEL LAYOUT

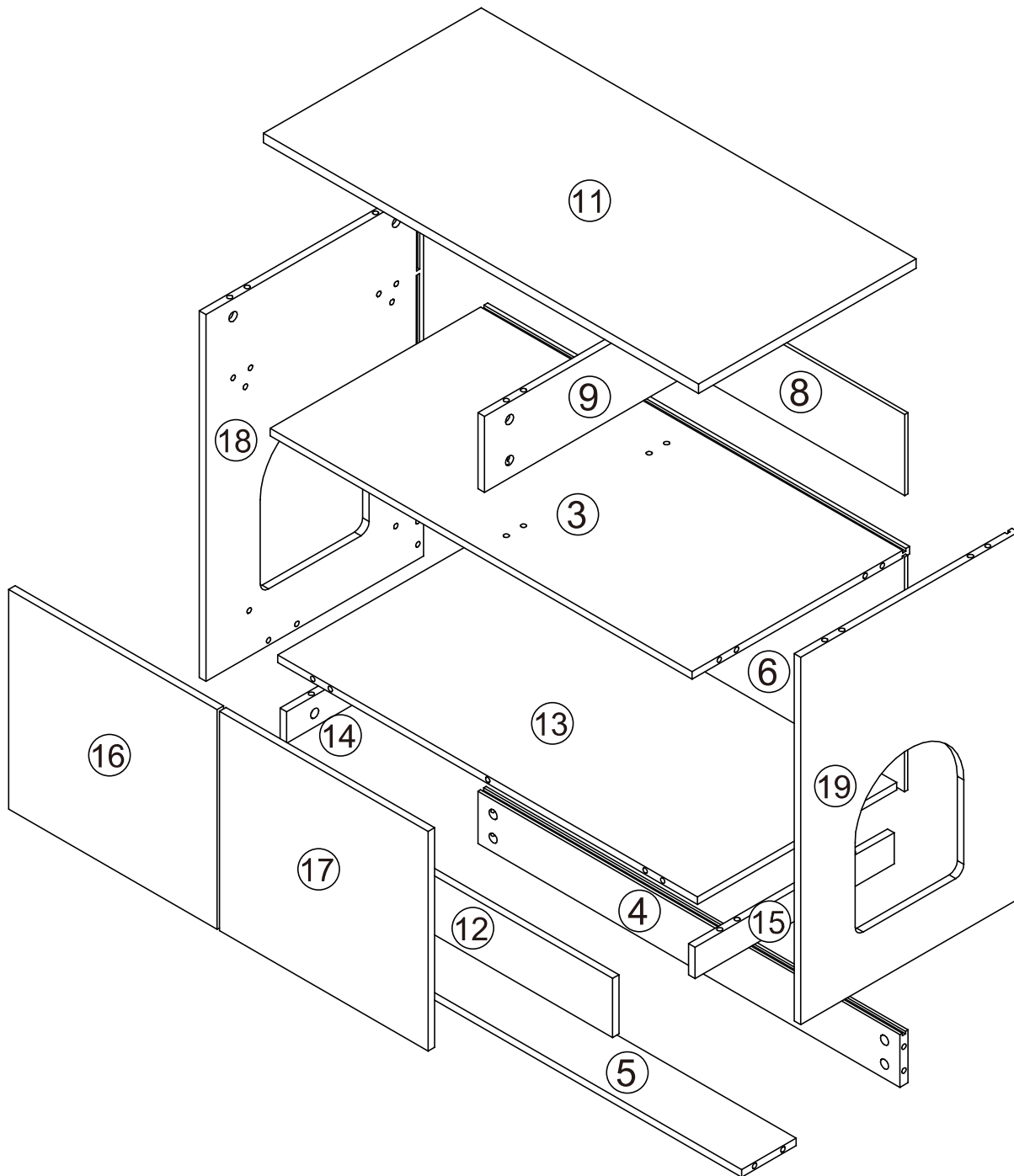
Left Side Part of the Cat Litter Box Enclosure.



Due to the large number of boards, in order to facilitate the installation, please place the boards in order after opening the parcel and then start the installation.


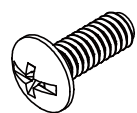
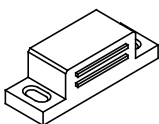
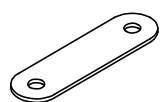
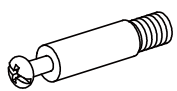
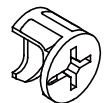


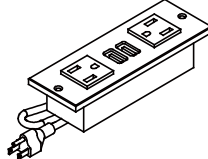
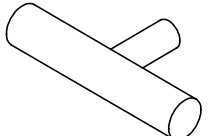
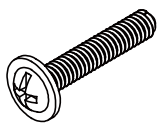
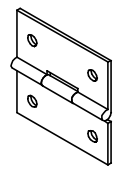
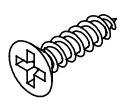
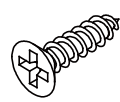
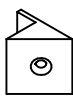
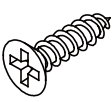
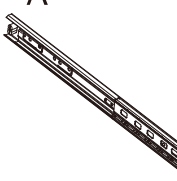
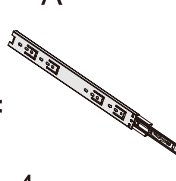
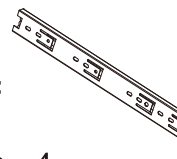
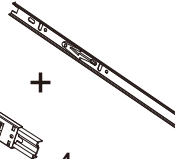
## PANEL LAYOUT

Right Side Part of the Cat Litter Box Enclosure.

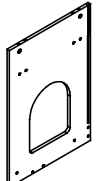
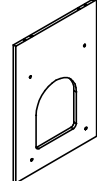
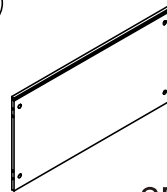


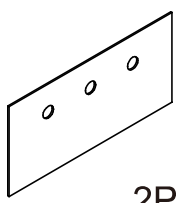
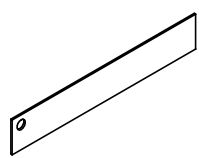
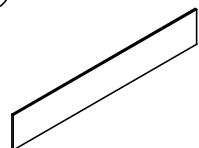
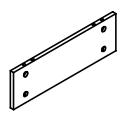
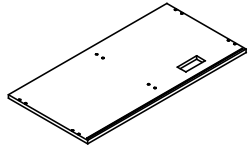
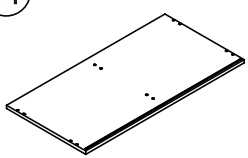
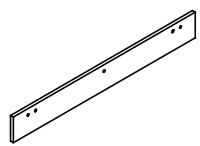
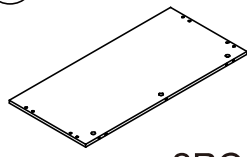
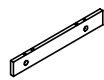
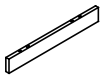
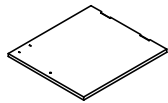
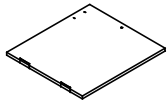
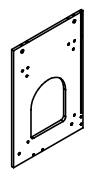
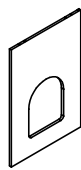


Due to the large number of boards, in order to facilitate the installation, please place the boards in order after opening the parcel and then start the installation.

# HARDWARES LIST

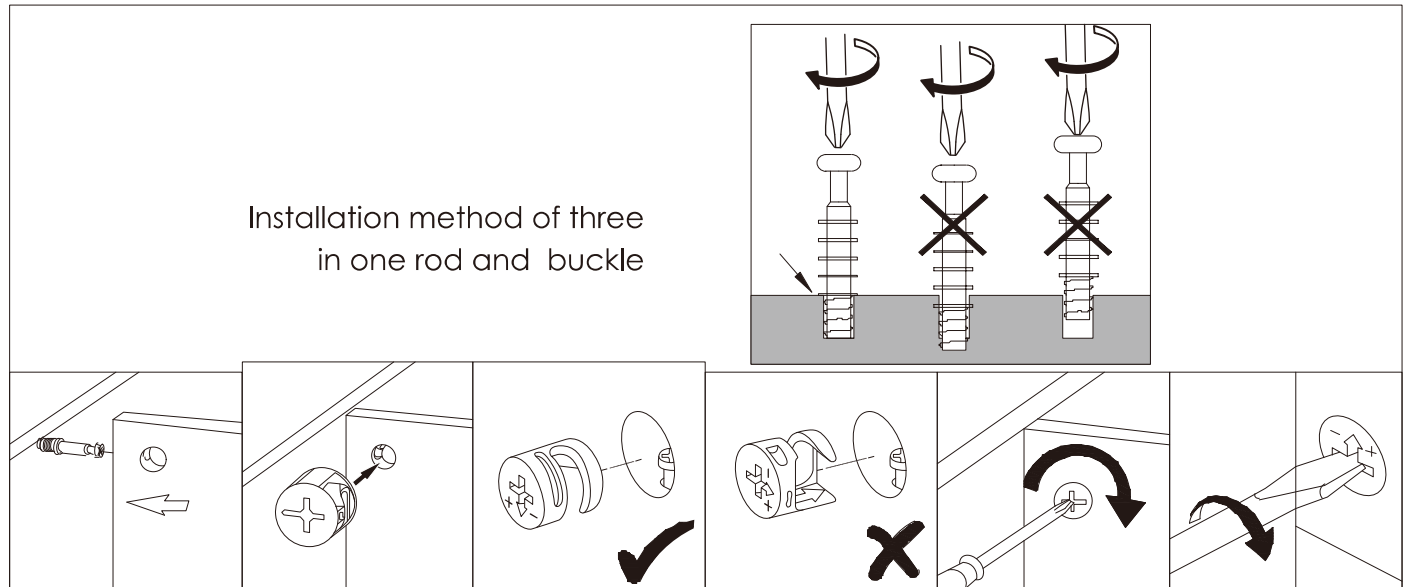
B  4PCS	C  17PCS	D  4PCS	E  4PCS	F  56PCS
G  56PCS	H  38PCS	J  54PCS	K  1PC	L  4PCS
M  4PCS	N  8PCS	O (12mm)  41PCS	P (15mm)  11PCS	Q  9PCS
M (20mm)  9PCS	 $=$  $=$  $+$  $x4$ $x4$ $x4$ $x4$			

# PARTS LIST

①  1PC	②  1PC	③  2PC	④  2PCS	⑤  2PCS
⑥  2PC	⑦  1PC	⑧  1PC	⑨  2PC	⑩  1PCS
⑪  1PCS	⑫  2PC	⑬  2PC	⑭  2PC	⑮  2PC
⑯  2PC	⑰  2PC	⑱  1PC	⑲  1PC	

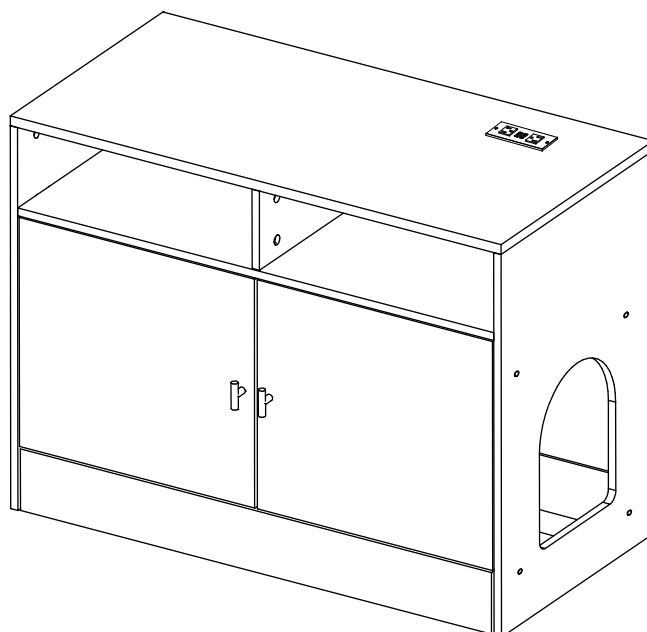
## TIPS

1. When installing the product, use a soft surface (such as carpet or cardboard) to avoid scratching or damaging the surface of the product.
2. Please try to use a manual screwdriver instead of electric screw driver. A manual screwdriver can be used to better control the tightness of the screws.
3. Do not use any glue.
4. The product is unstable before it is assembled. Please pay attention to the product installation sequence, and align all screws and screw holes before tightening.
5. The structure of this product can not meet the requirements of children climbing.



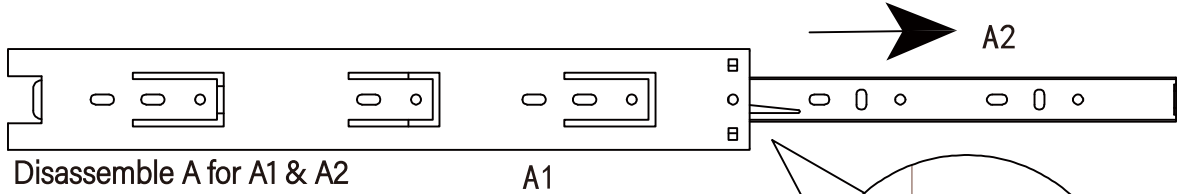
Install the "Left Part"  
Step1-Step17

Install the "Right Part"  
Step18-Step36



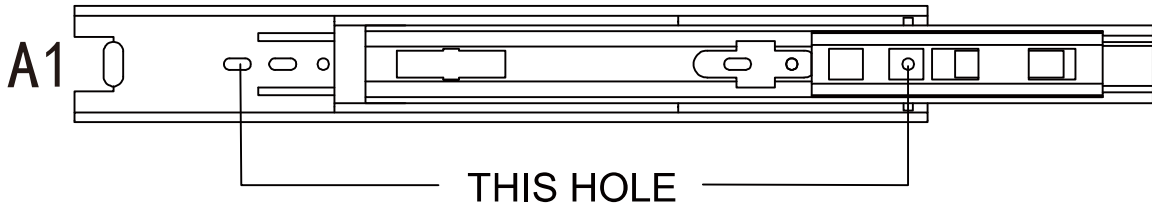
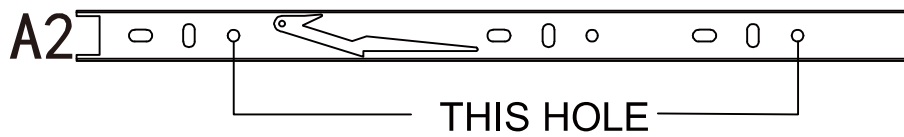
1

# HOW TO SPLIT THE SLIDE RAIL



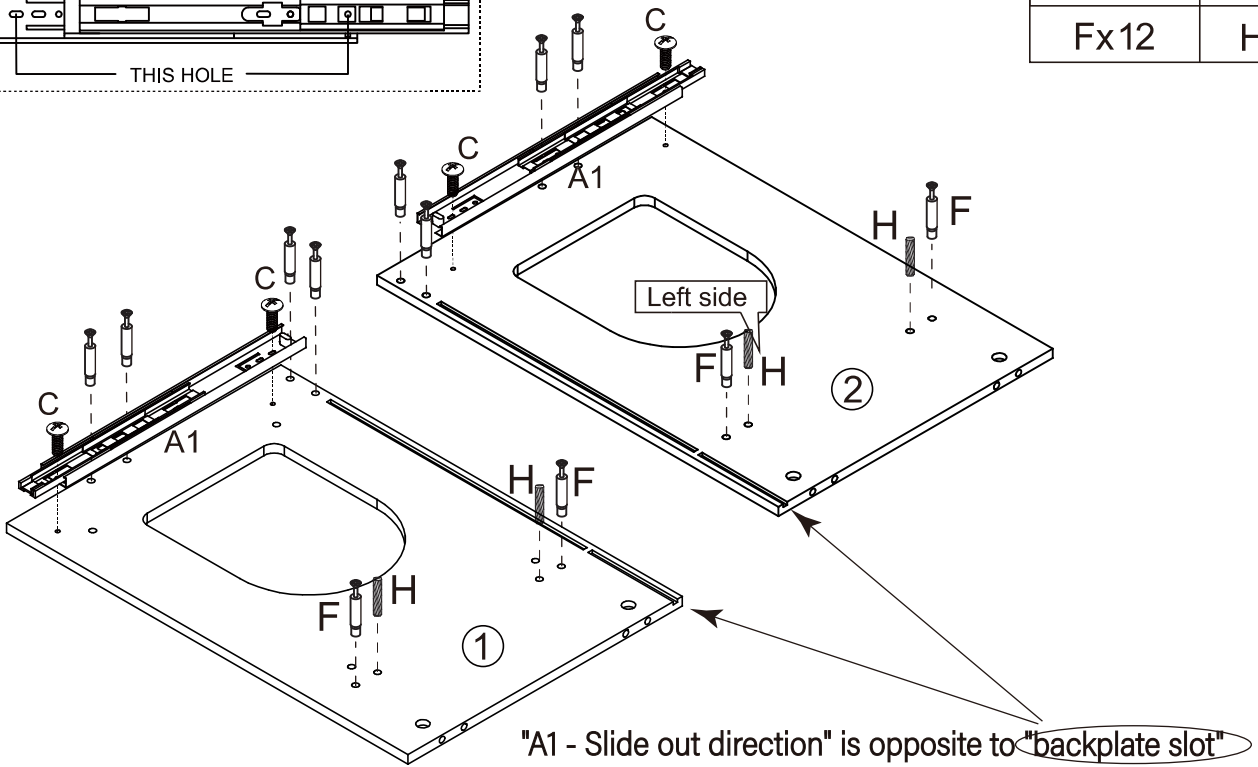
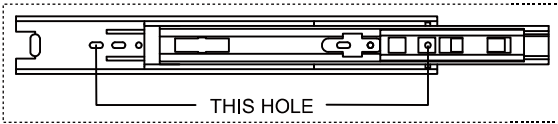
BACK

FRONT



2

You will need	
A1x2	Cx4
Fx12	Hx4



3

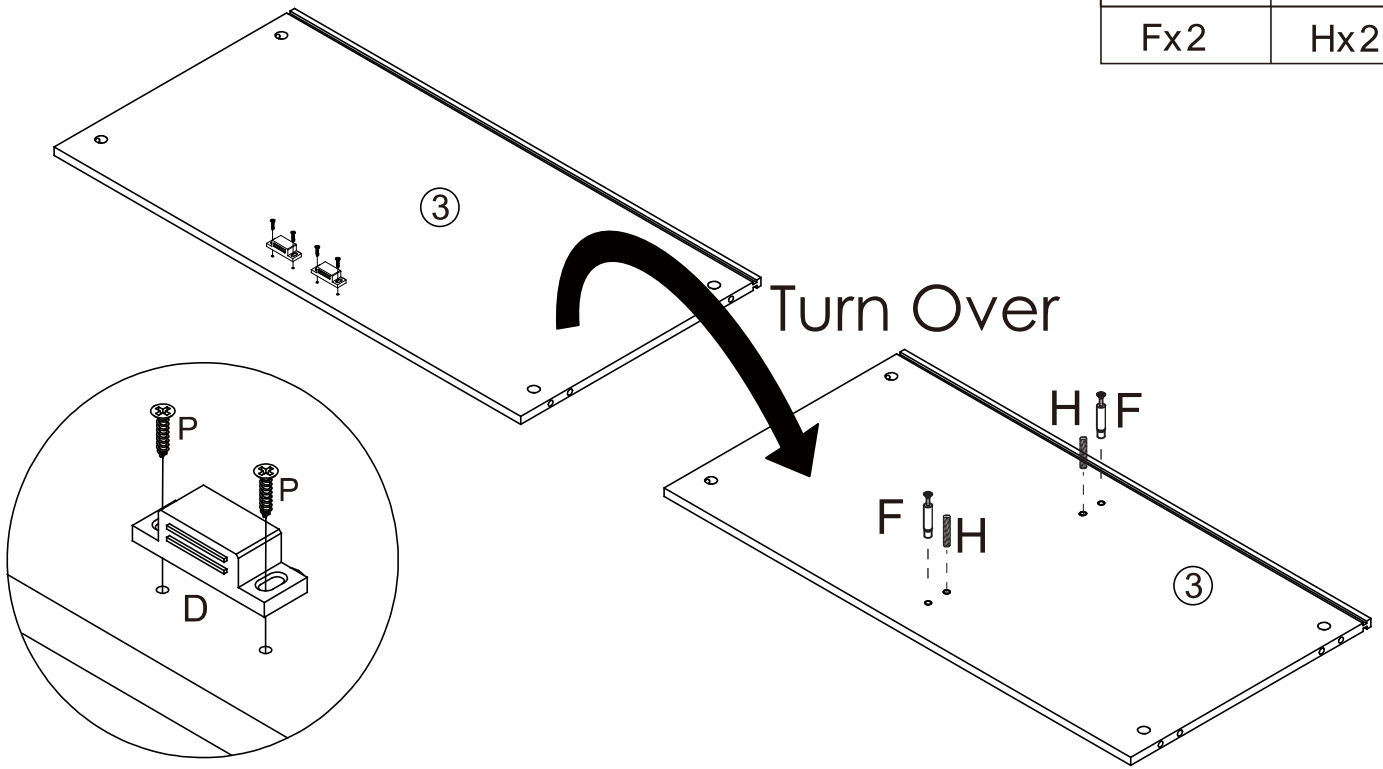
You will need

Px4

Dx2

Fx2

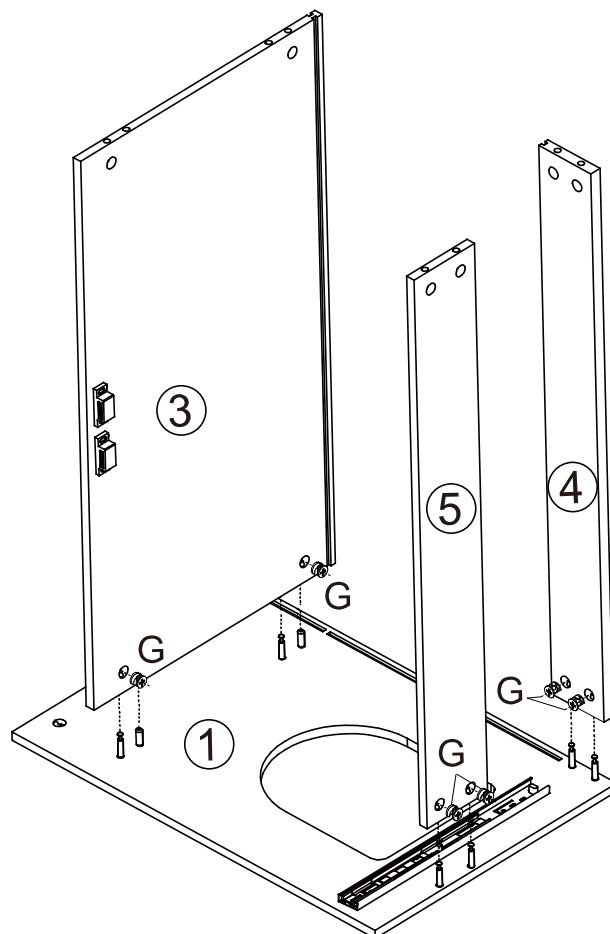
Hx2



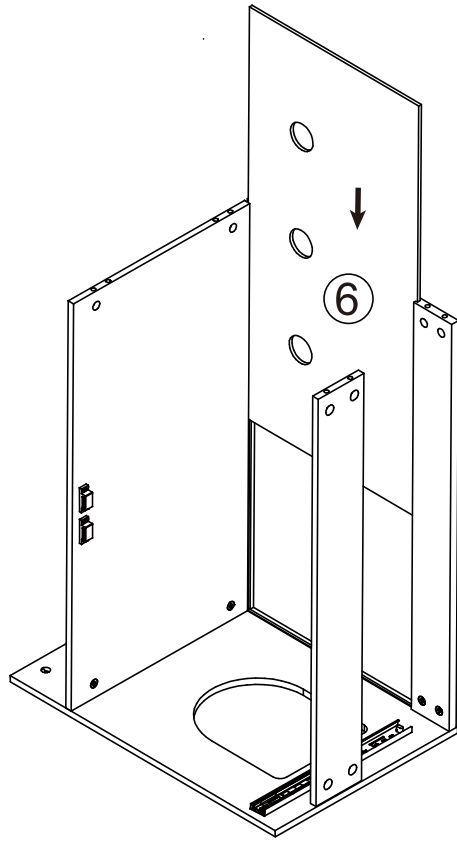
4

You will need

Gx6



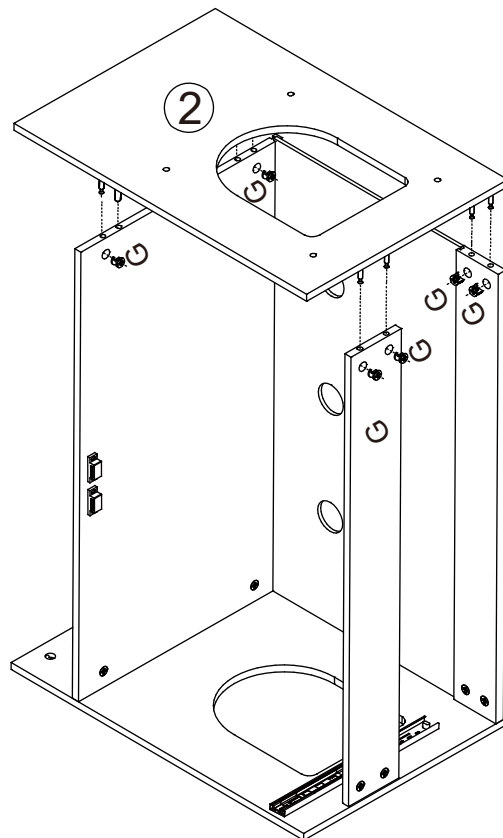
5



6

You will need

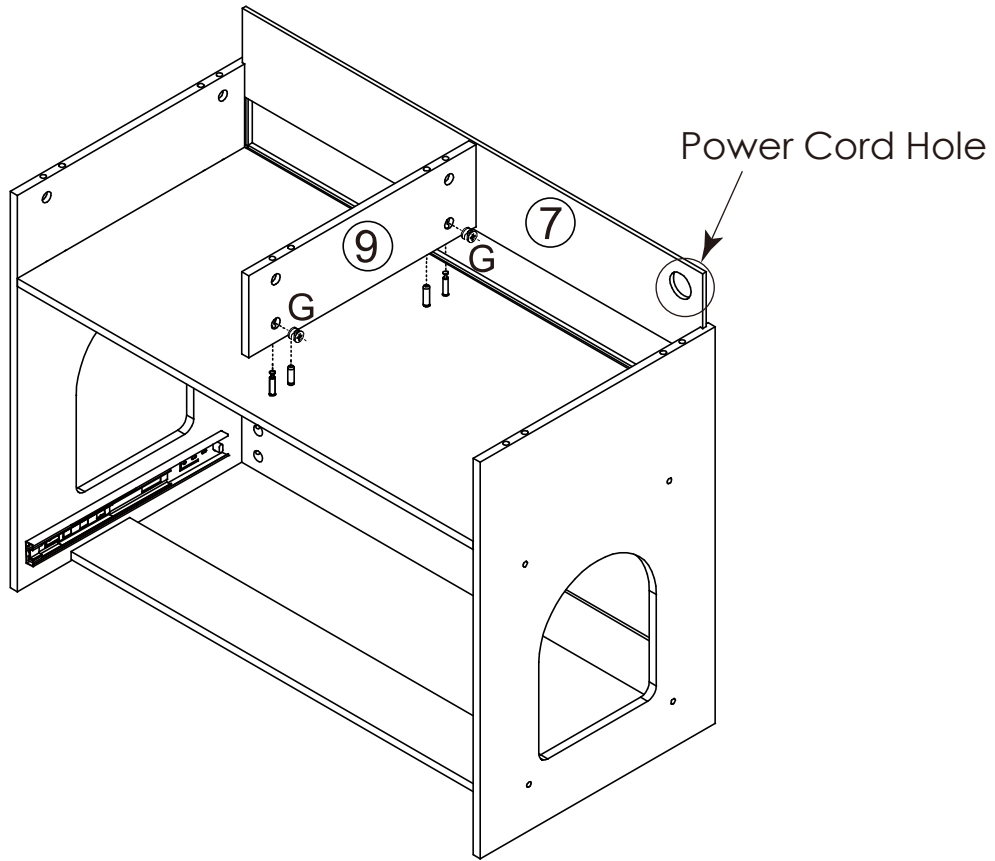
Gx6



7

You will need

Gx2

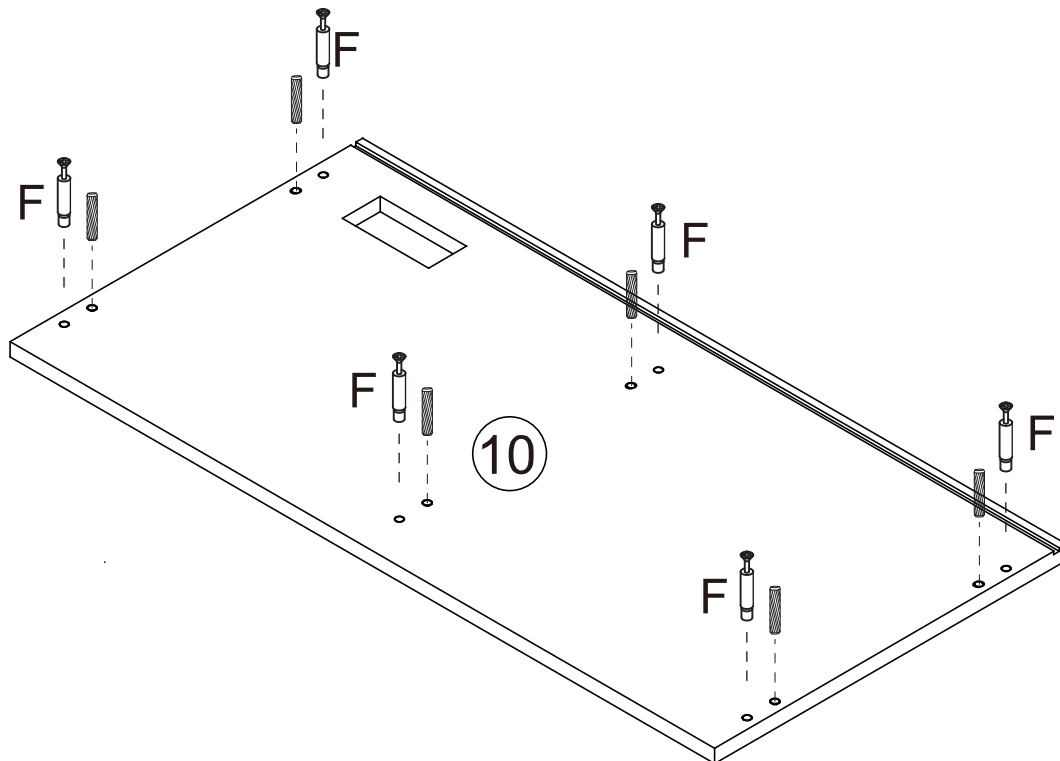


8

You will need

Fx6

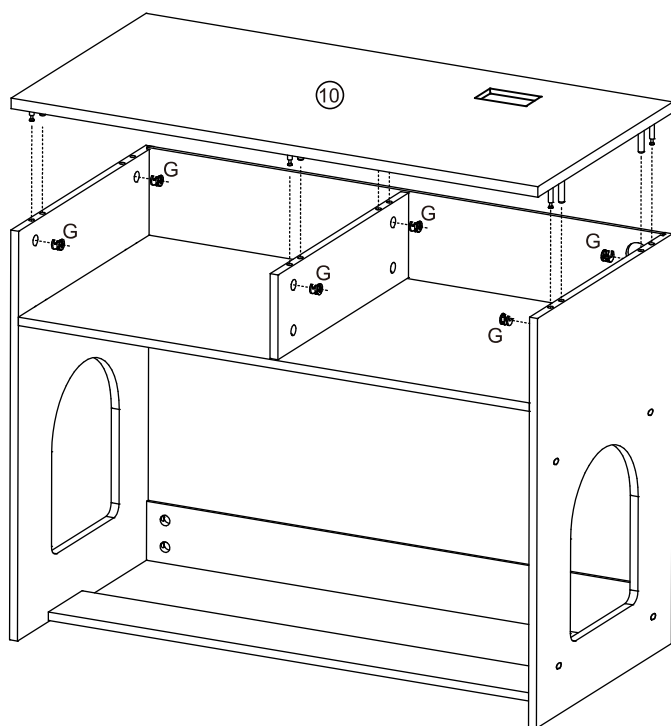
Hx6



9

You will need

Gx6

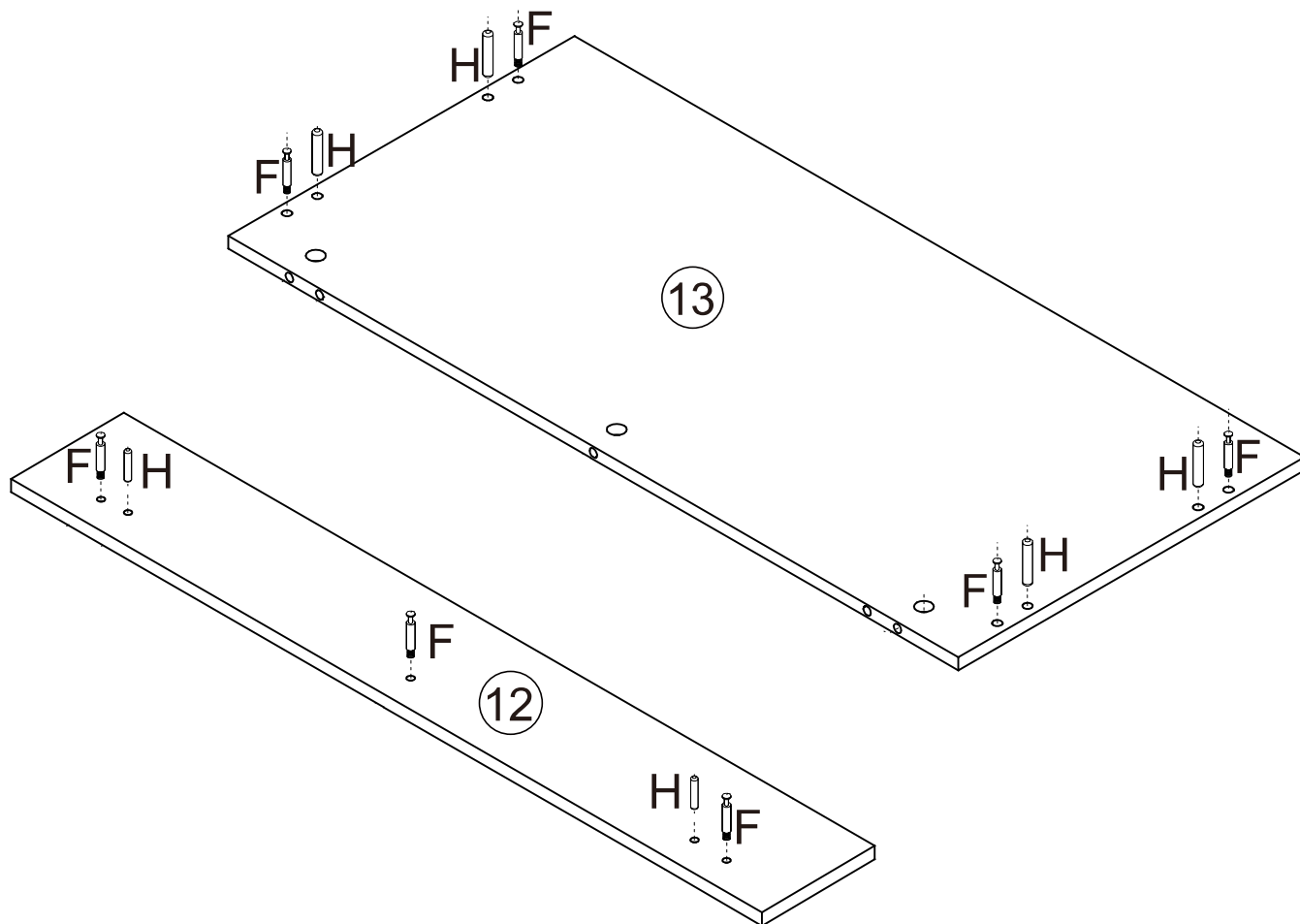


10

You will need

Fx7

Hx6

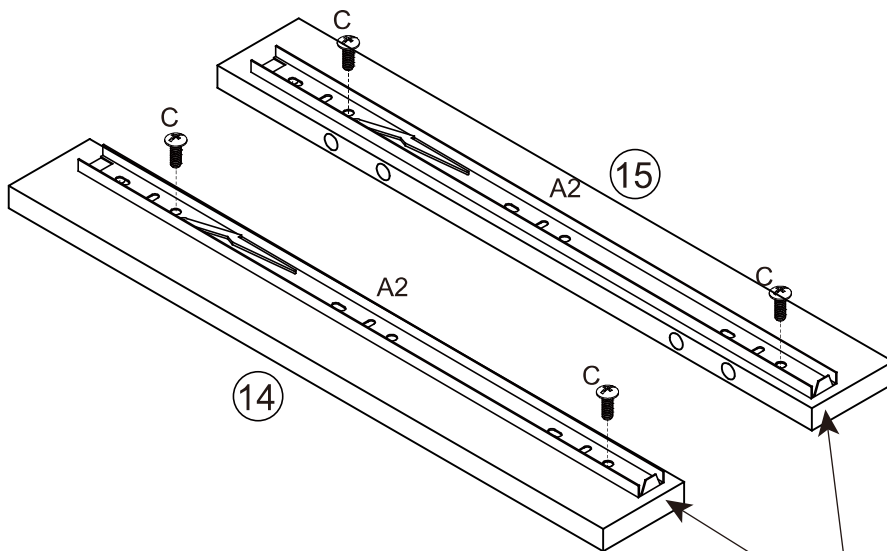


11

You will need

A2x2

Cx4

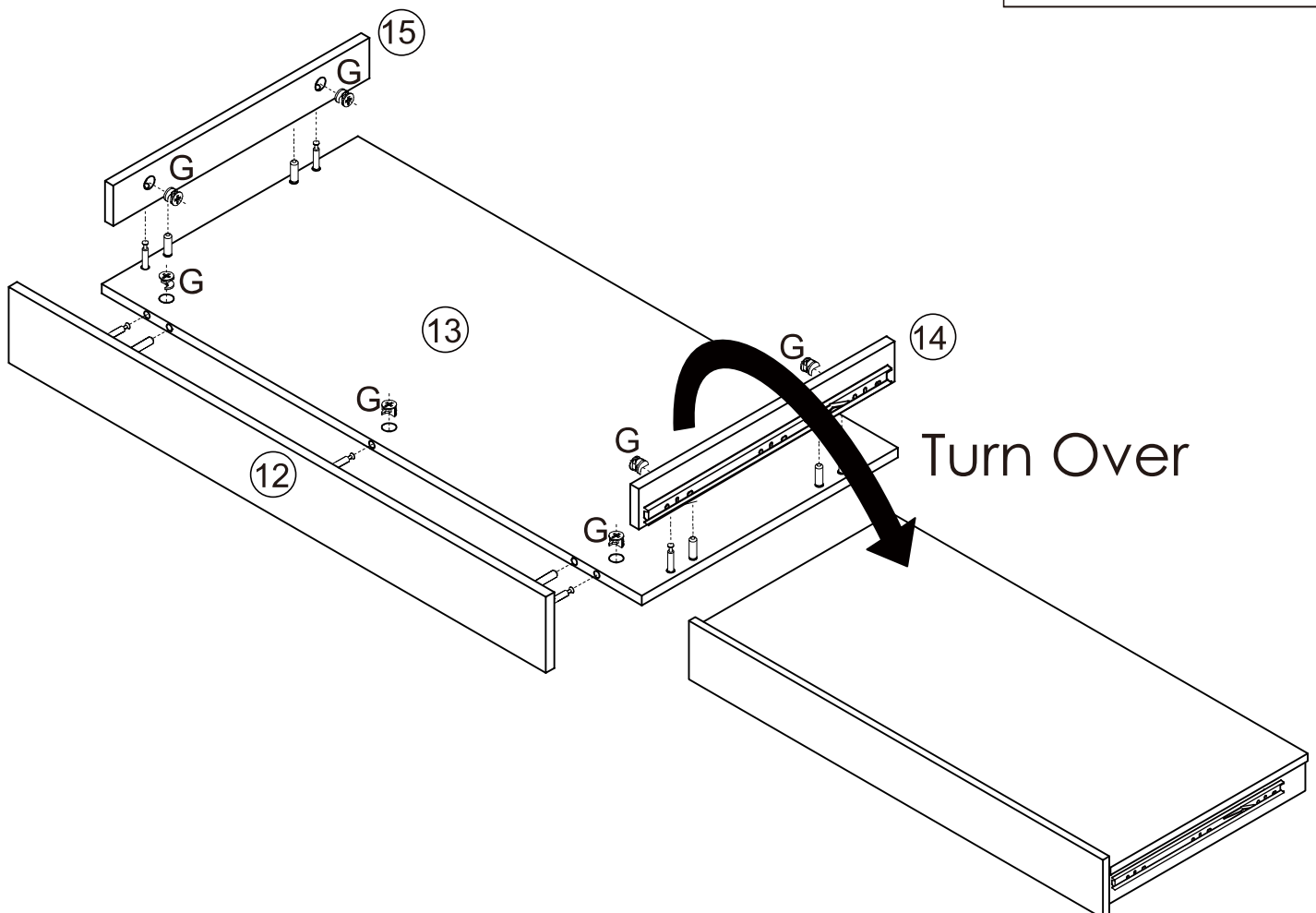


"A2-closed end" will installed near  
plate #12

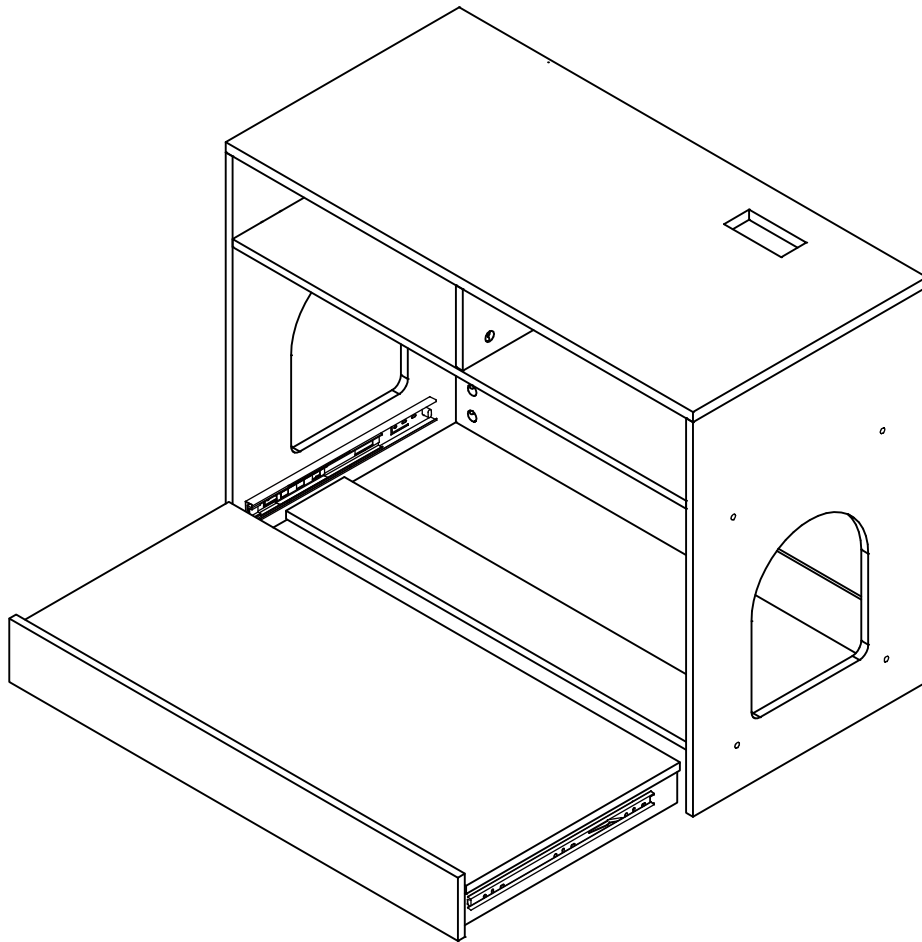
12

You will need

Gx7



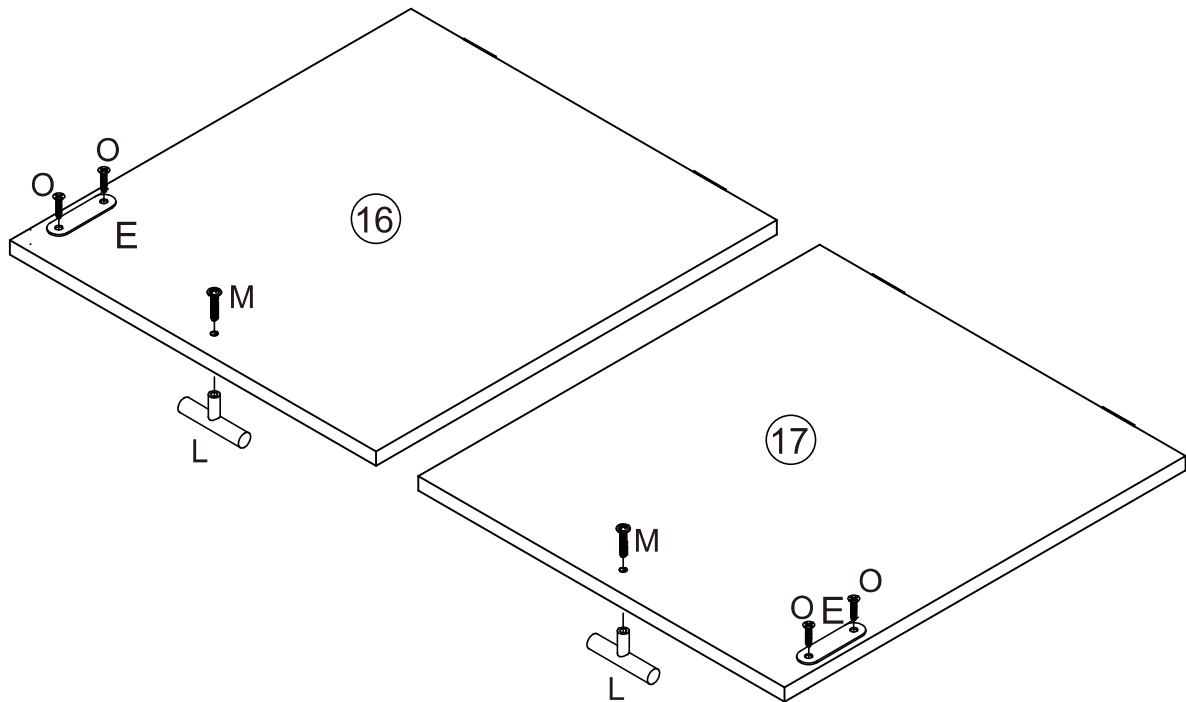
13



14

You will need

Ox4	Ex2
Mx2	Lx2

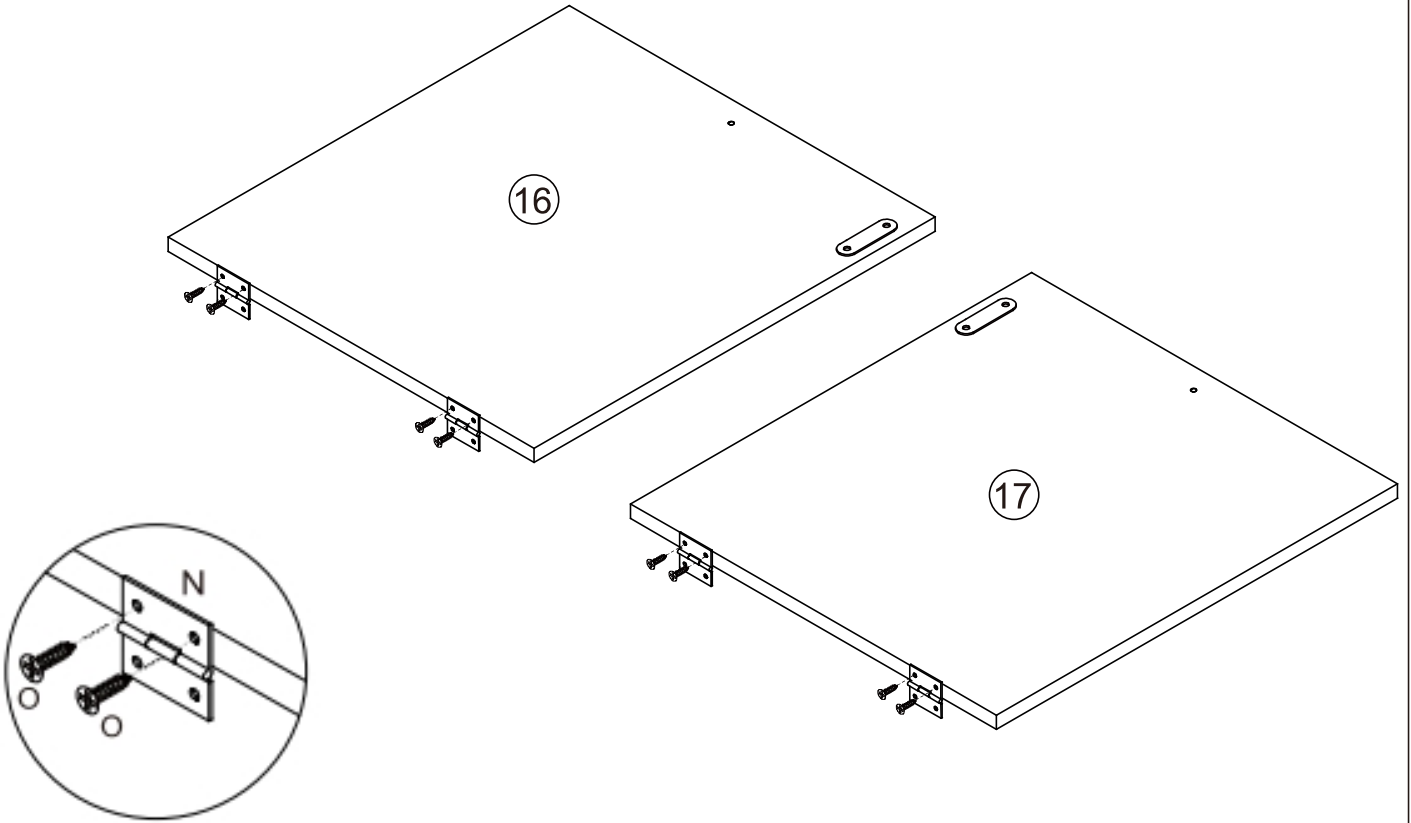


15

You will need

Nx4

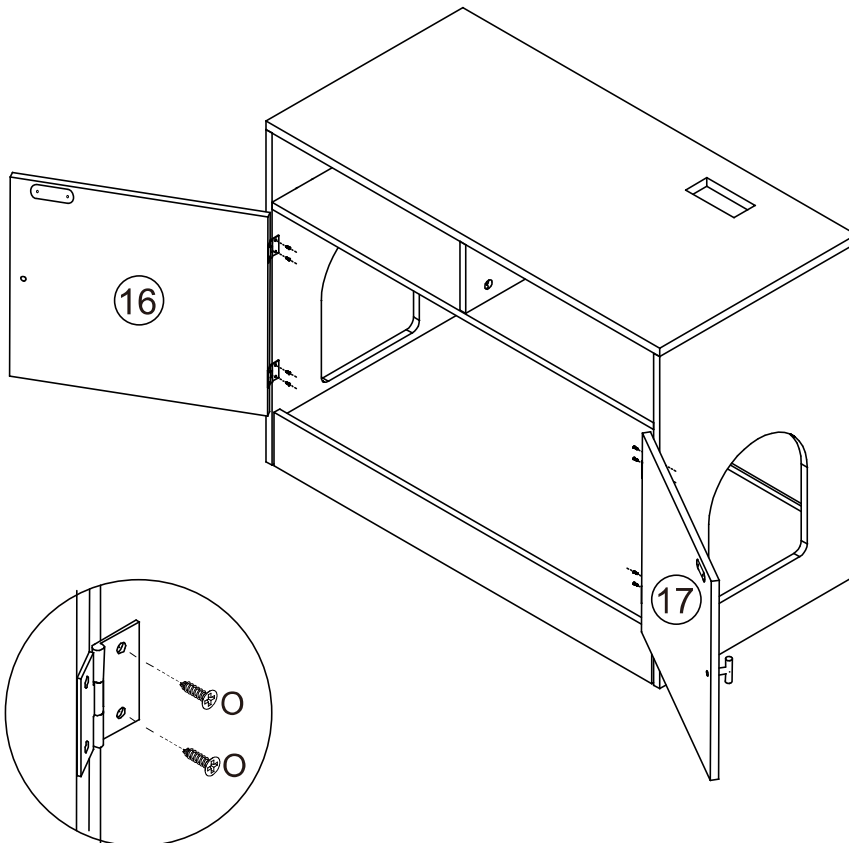
Ox8

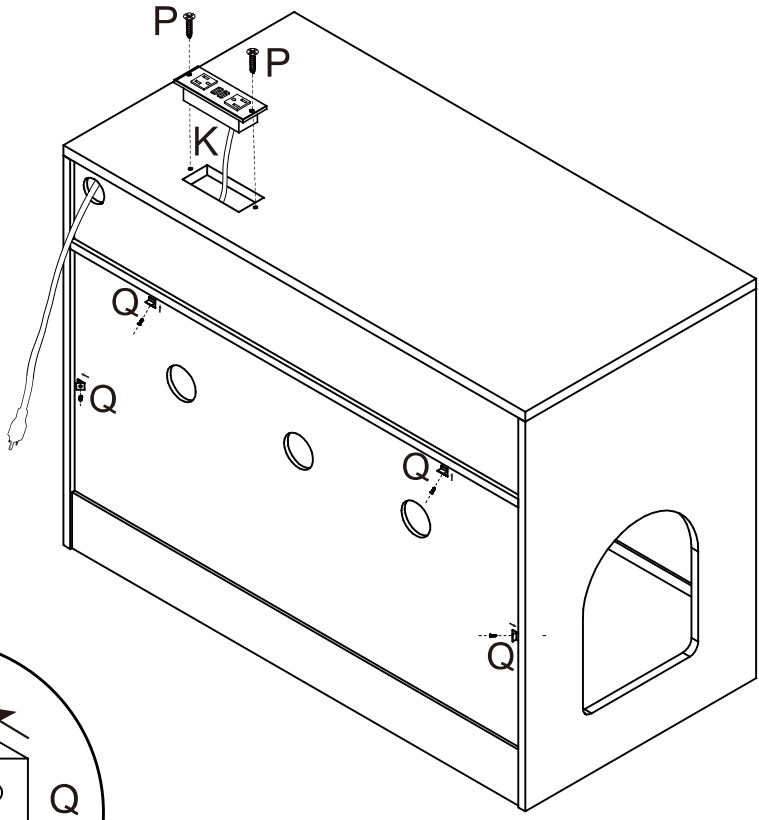


16

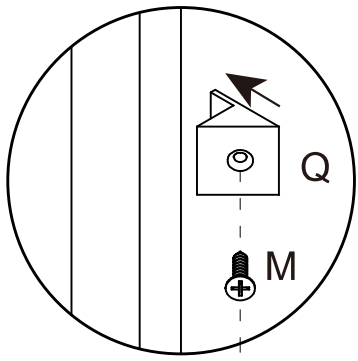
You will need

Ox8





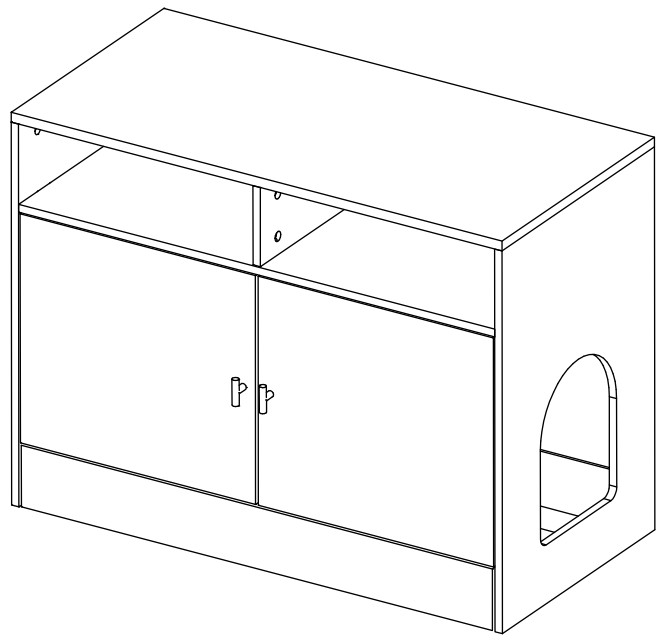
You will need	
Mx4	Kx1
Px2	Qx4



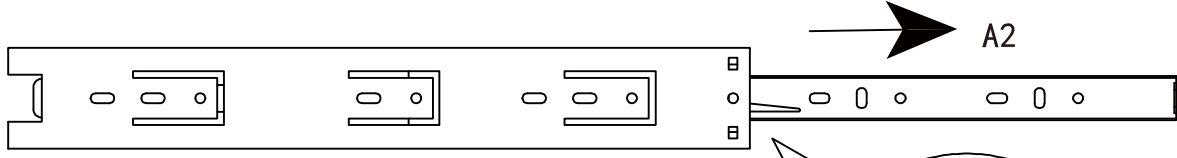
Install backboard nails can effectively enhance the stability of the product and extend the life span of the product.

Install the "Right Part"  
Step18-Step36

Install the "Left Part"  
Step1-Step17

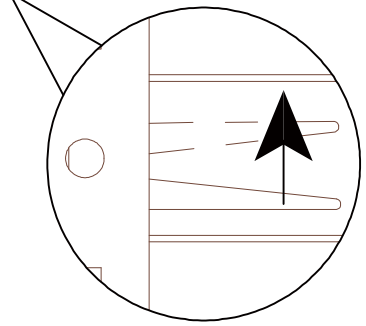


### HOW TO SPLIT THE SLIDE RAIL



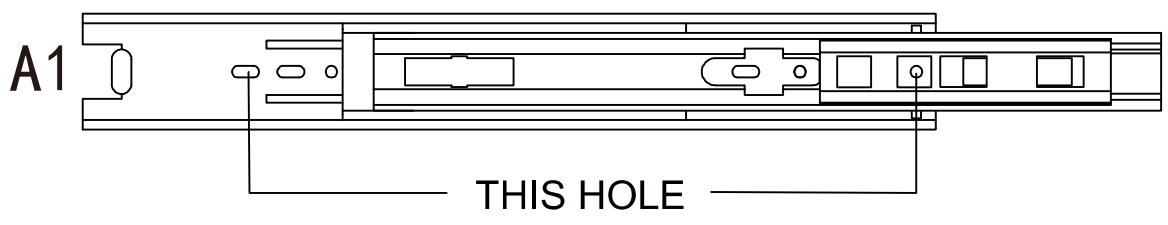
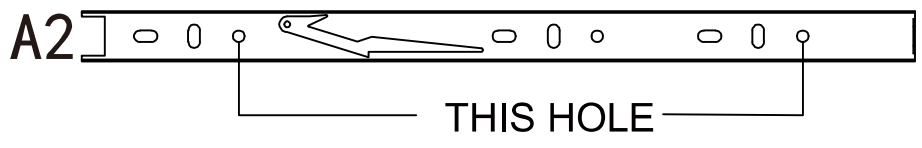
Disassemble A for A1 & A2

A1

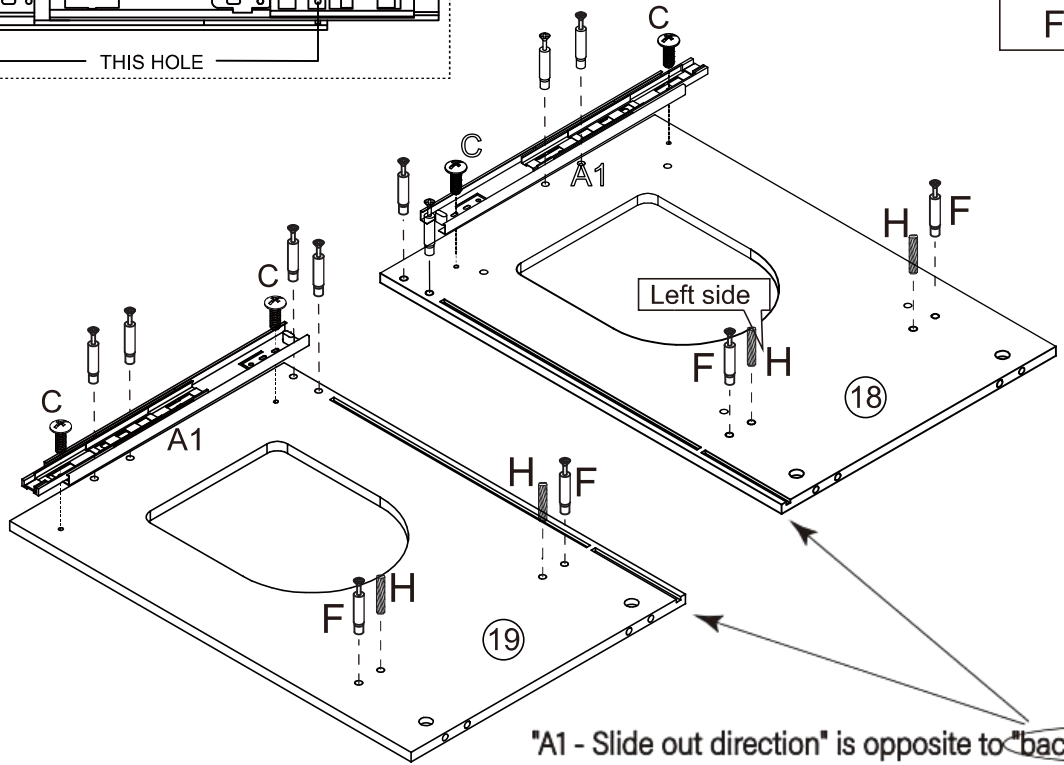
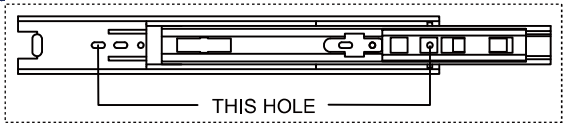


BACK

FRONT



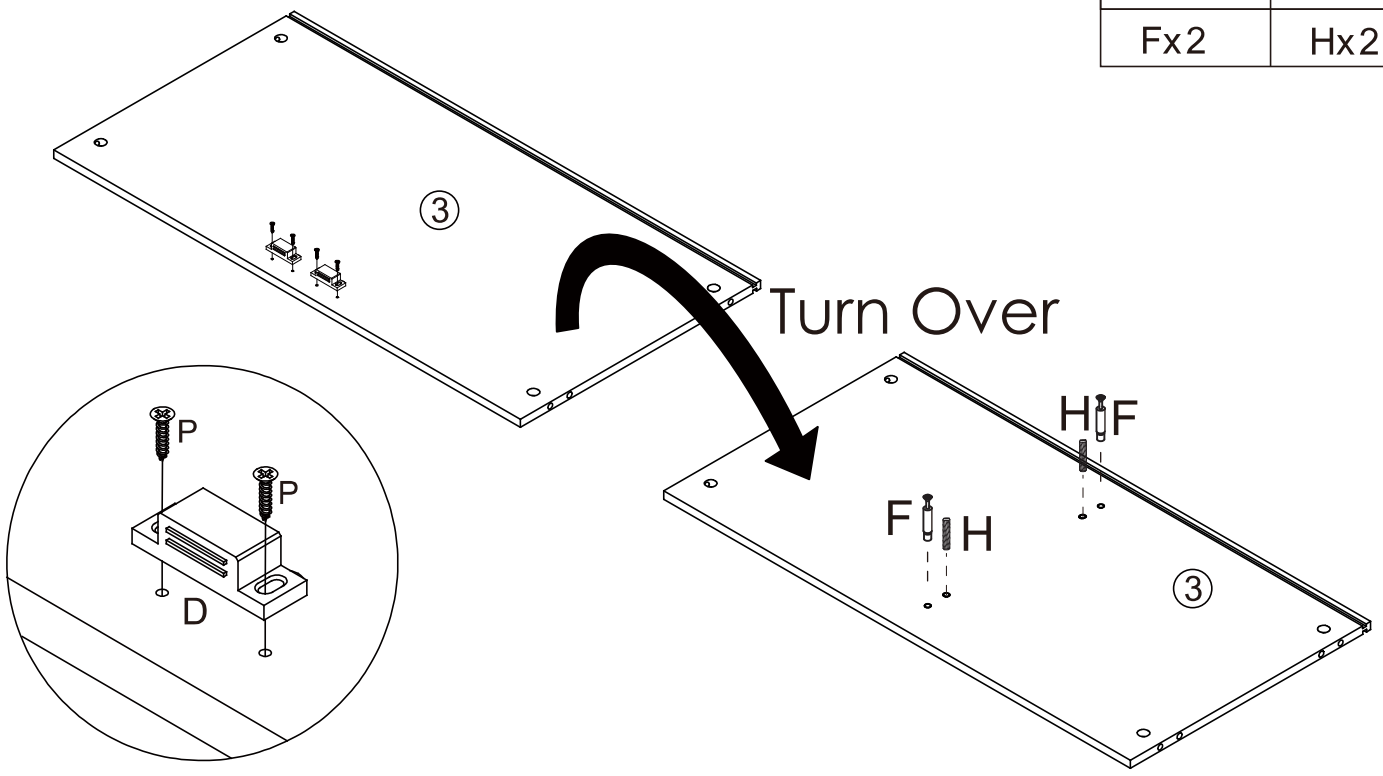
You will need	
A1x2	Cx4
Fx12	Hx4



"A1 - Slide out direction" is opposite to "backplate slot"

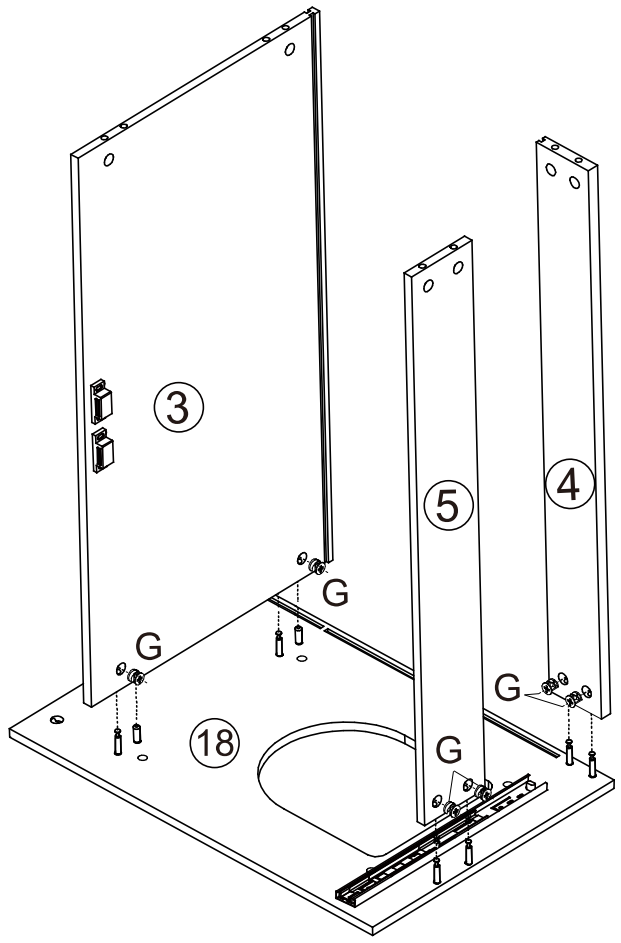
20

You will need	
Px4	Dx2
Fx2	Hx2

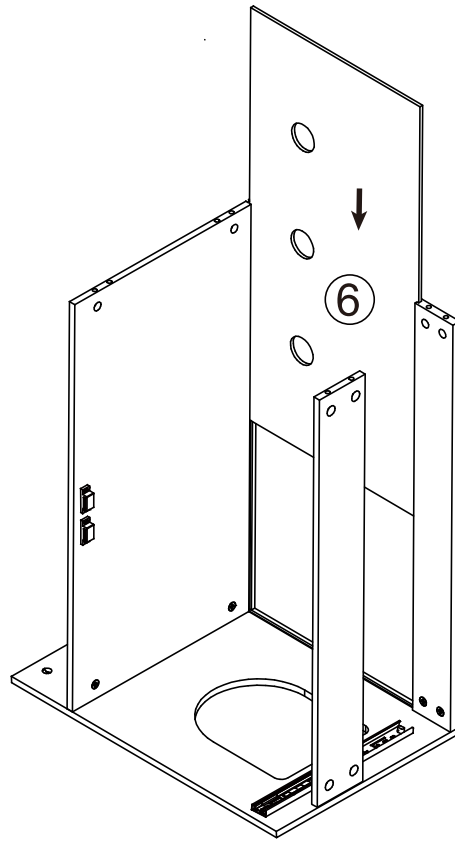


21

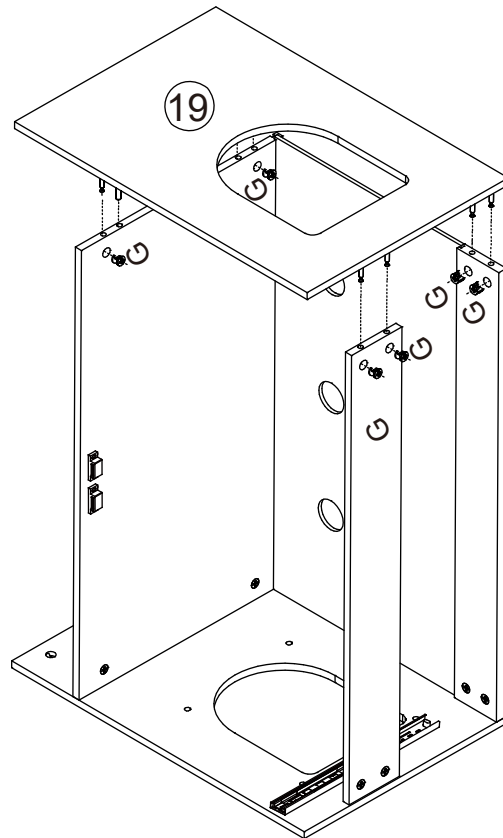
You will need	
Gx6	



22



23



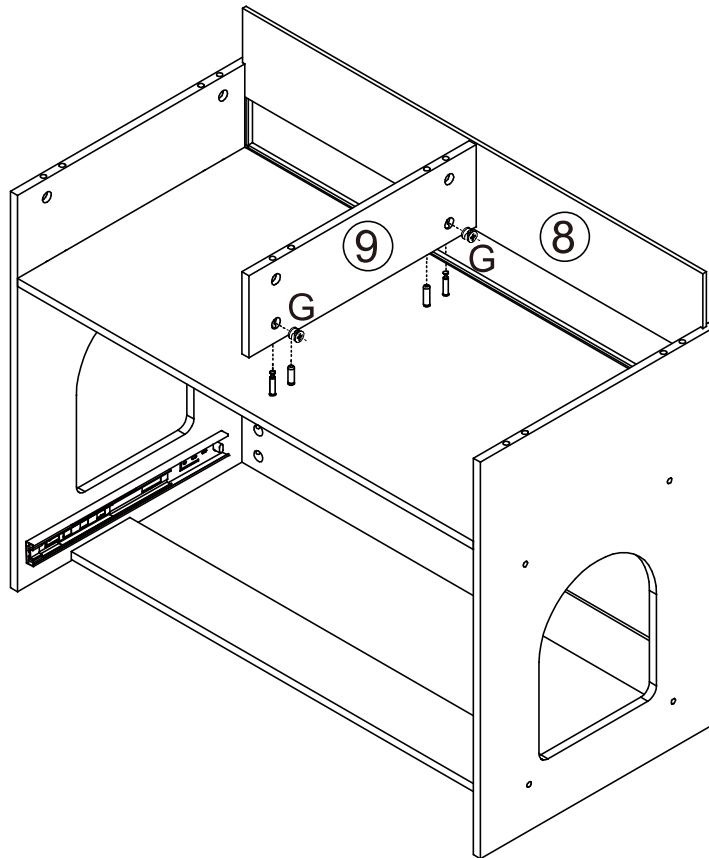
You will need

Gx6

24

You will need

Gx2

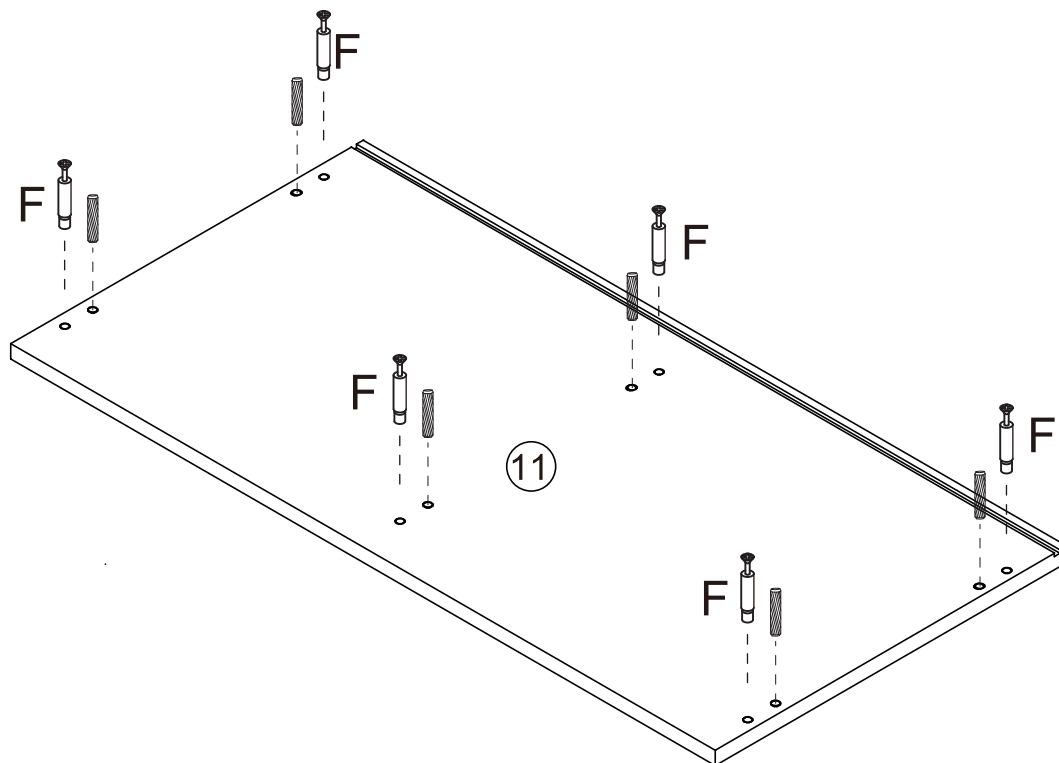


25

You will need

Fx6

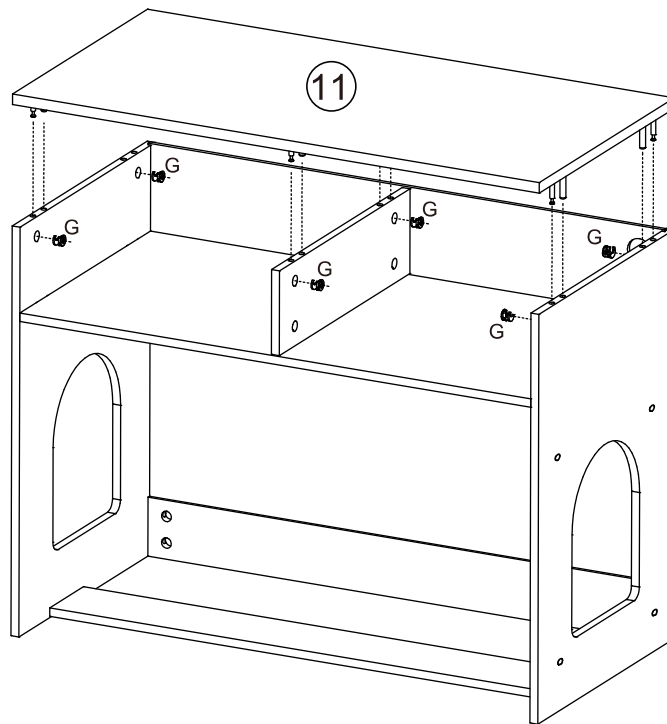
Hx6



26

You will need

Gx6

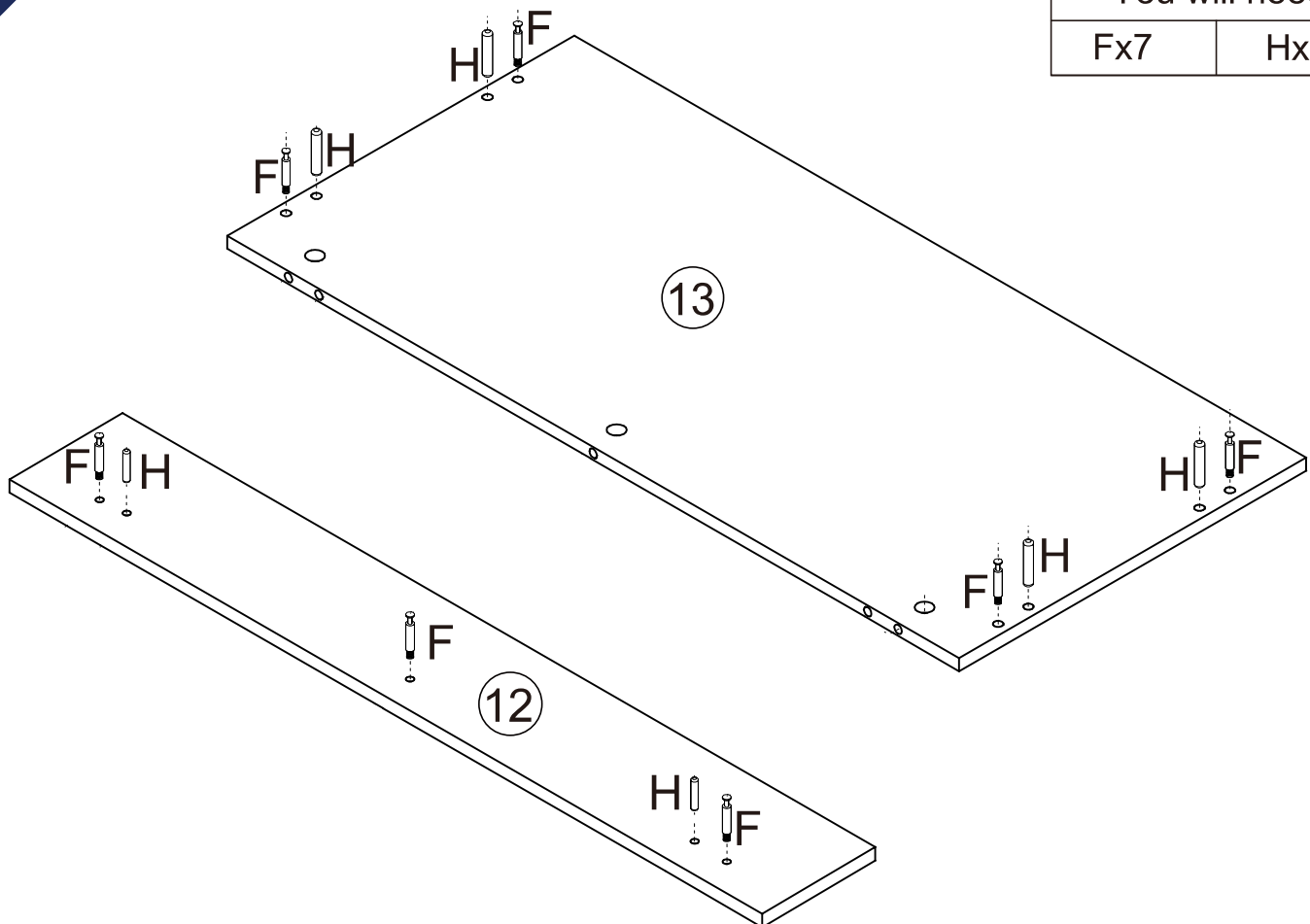


27

You will need

Fx7

Hx6

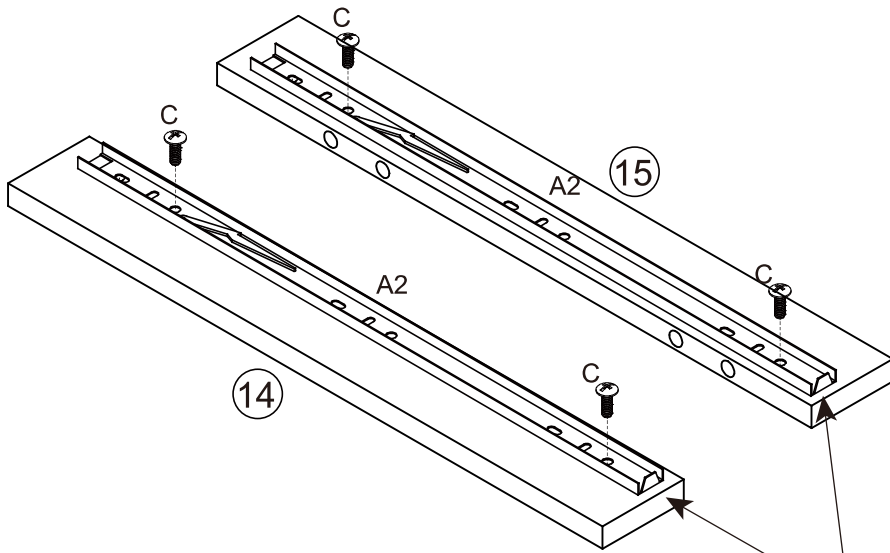


28

You will need

A2x2

Cx4

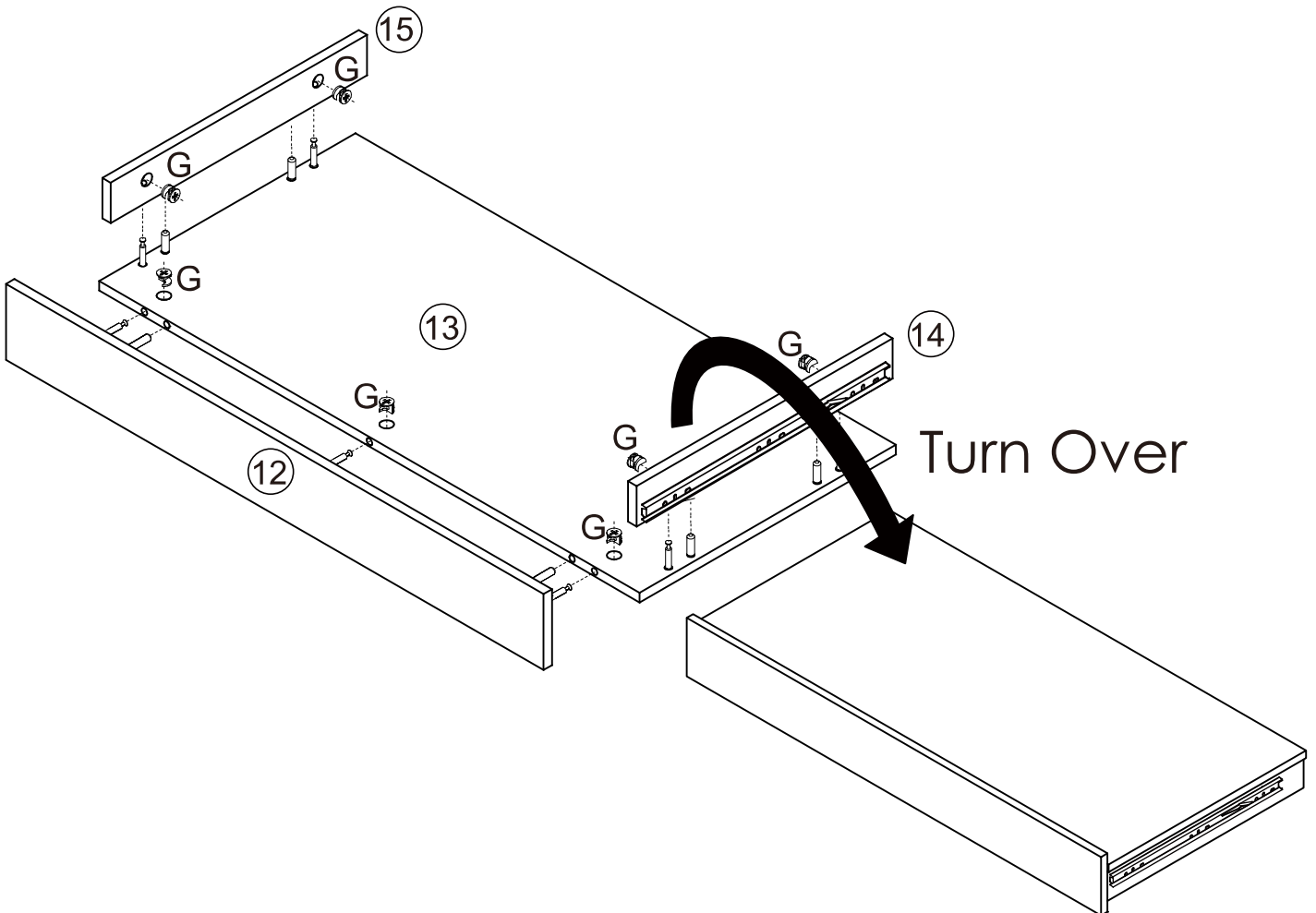


"A2-closed end" will installed near plate #12

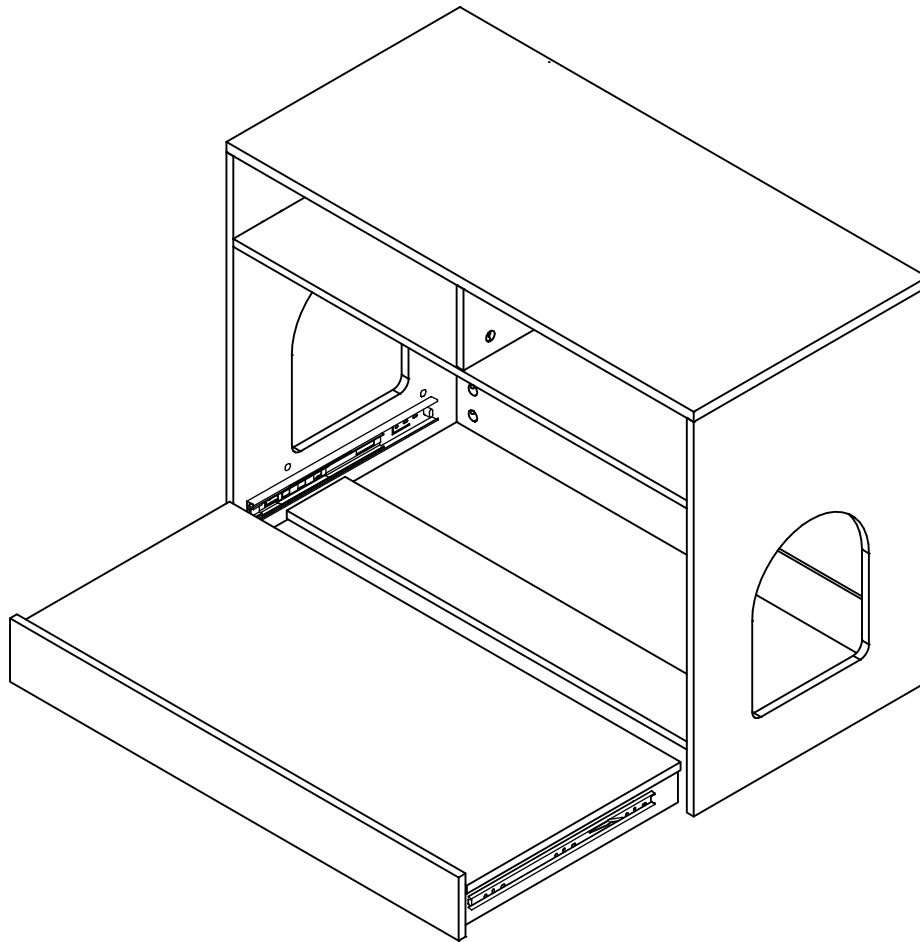
29

You will need

Gx7



30

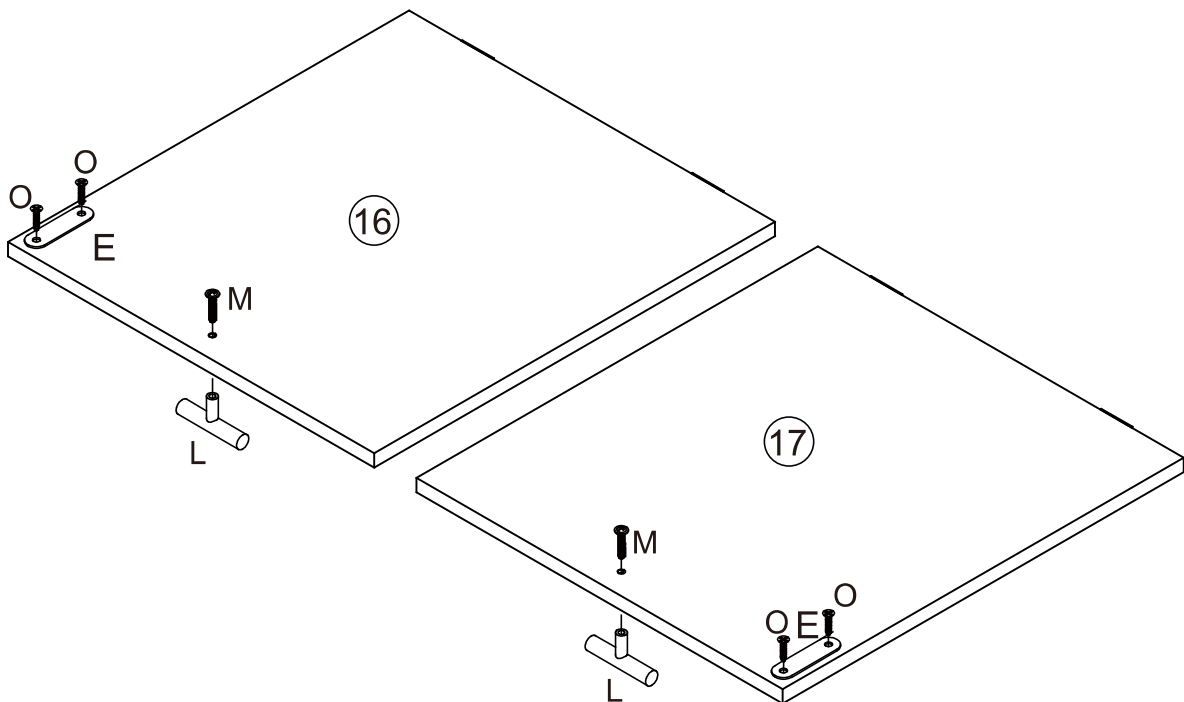


31

You will need

Ox4	Ex2
-----	-----

Mx2	Lx2
-----	-----

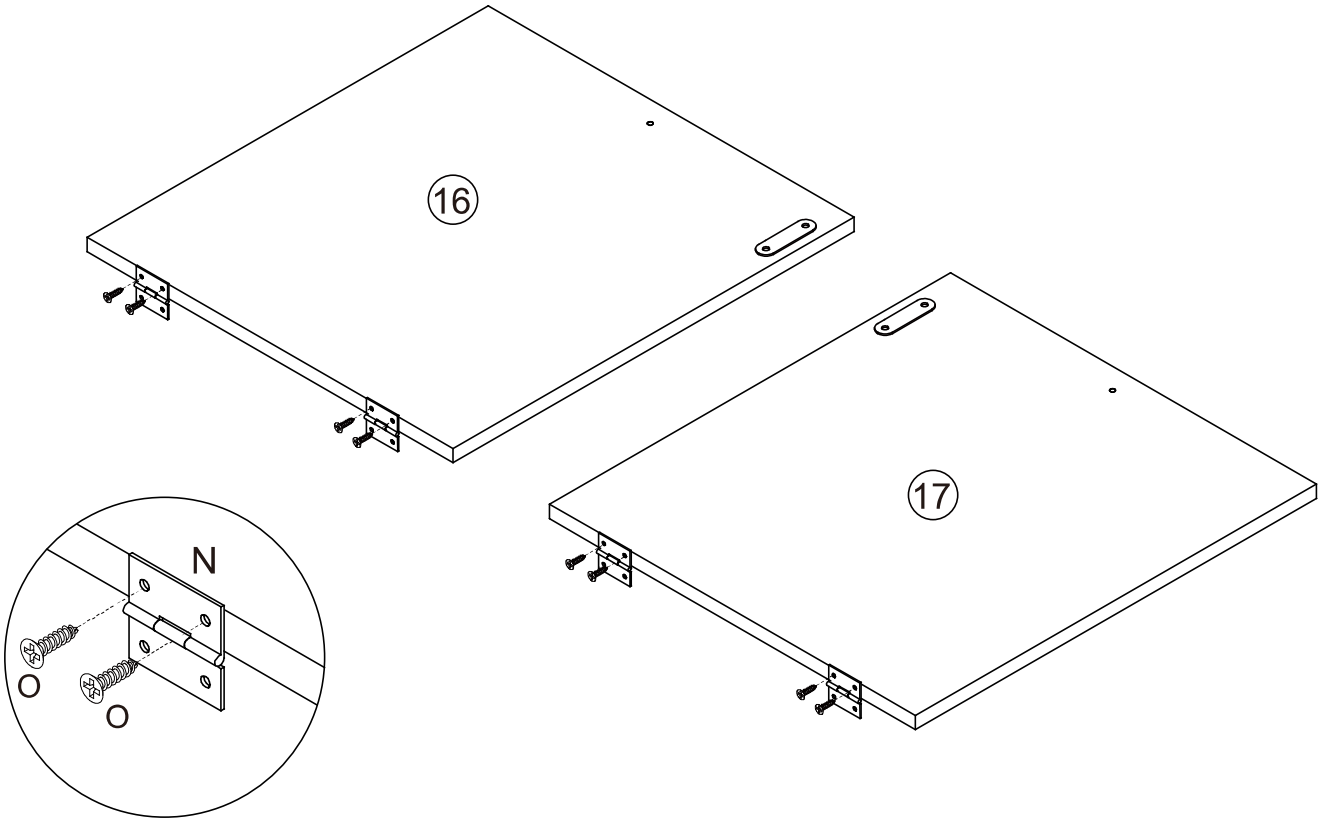


32

You will need

Nx4

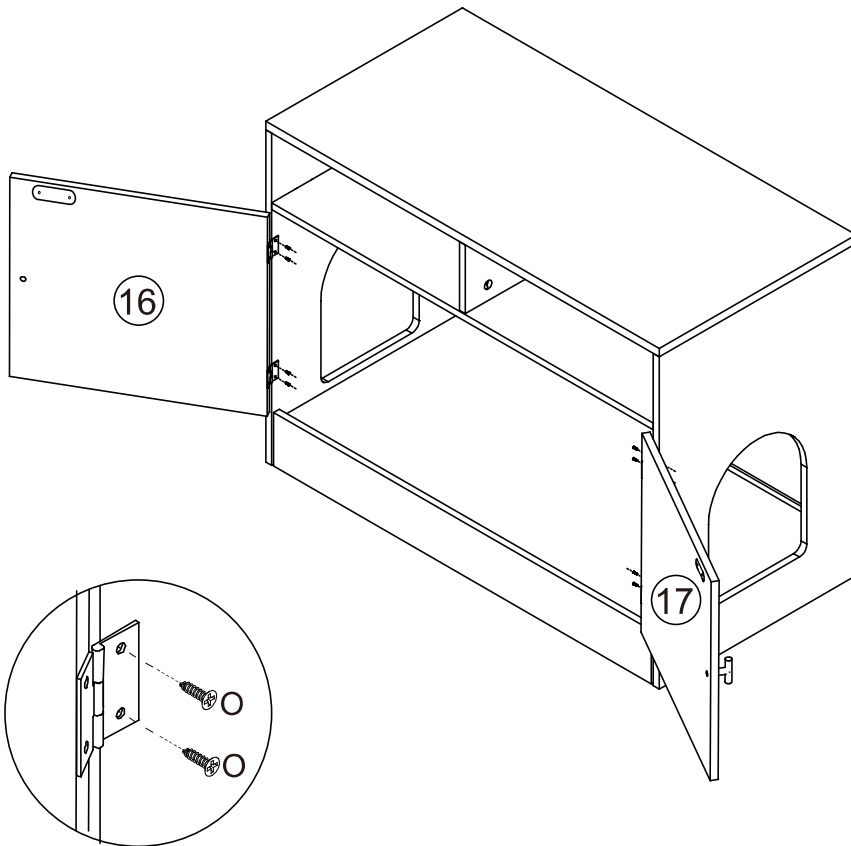
Ox8



33

You will need

Ox8

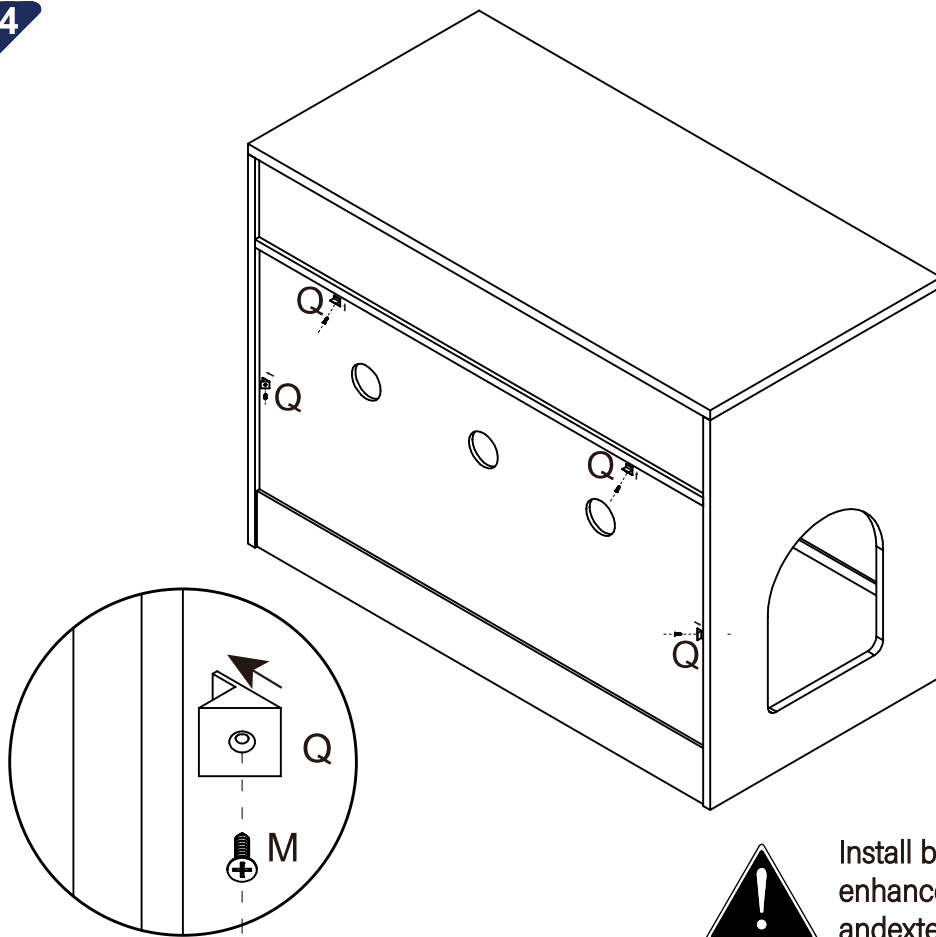


34

You will need

Mx4

Qx4

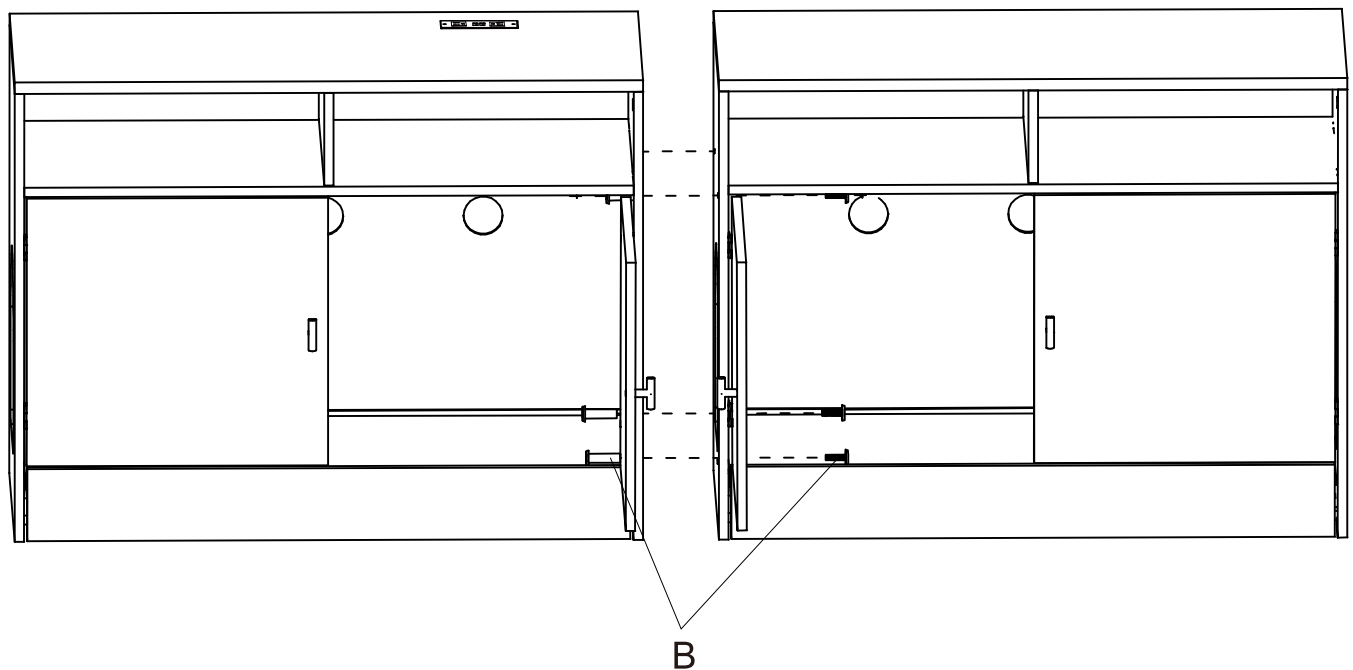


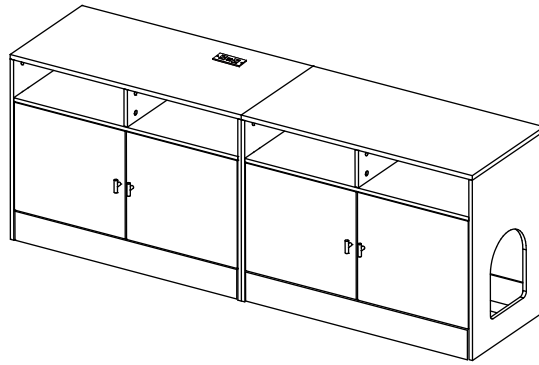
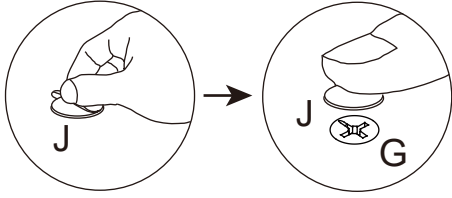
Install backboard nails can effectively enhance the stability of the product and extend the life span of the product.

35

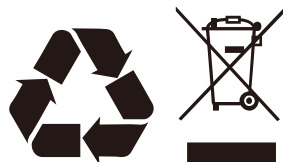
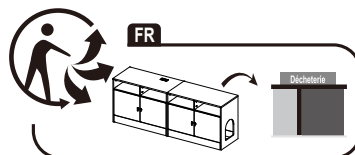
You will need

Bx4





At last, J covers G for added aesthetics, or don't use it.



Made in China