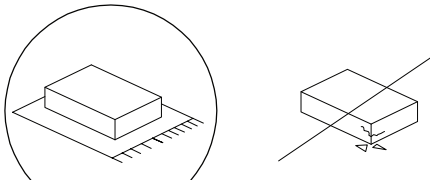

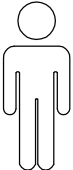
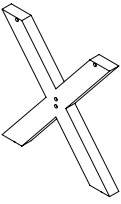
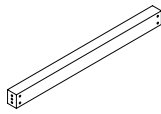
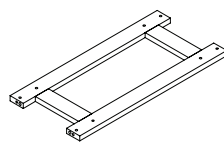
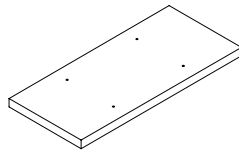
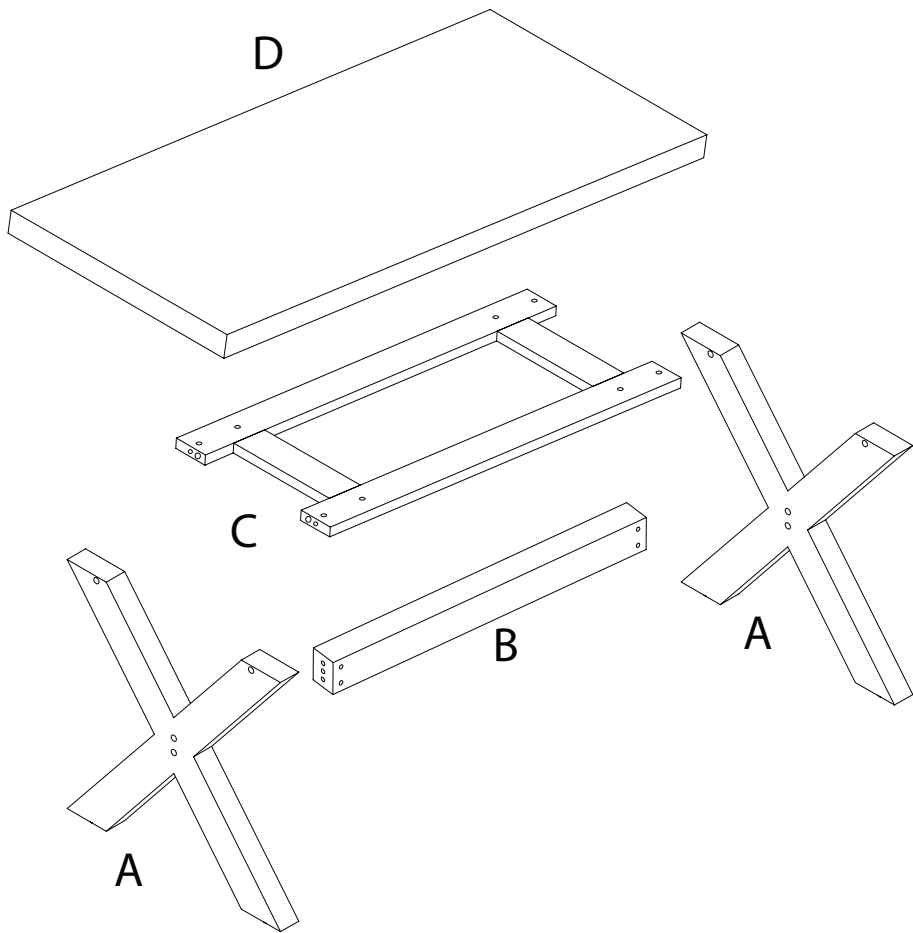
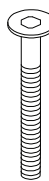
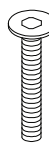
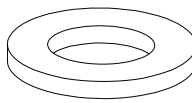
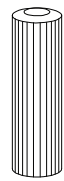
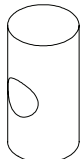
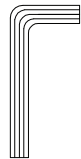
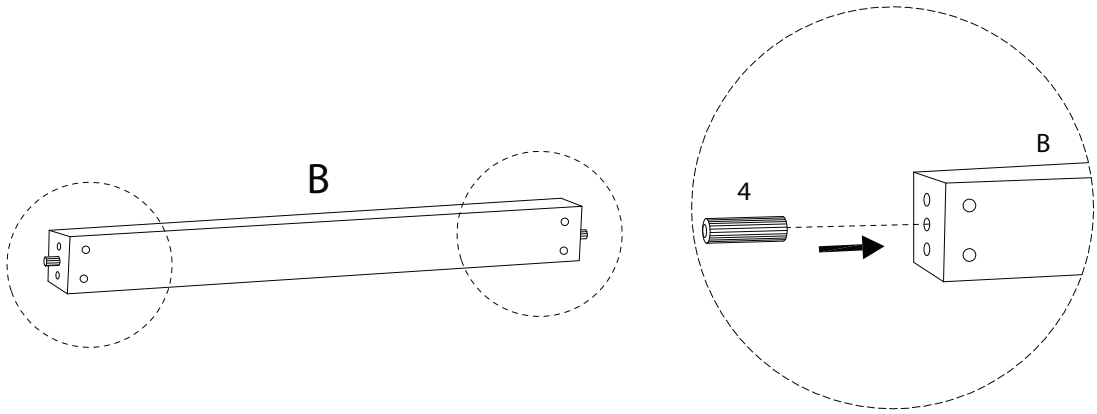
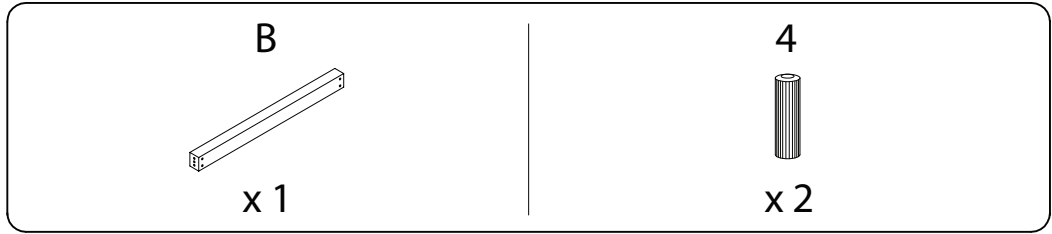

		<b>30'</b>
		
		<b>1</b>

<b>A</b>  <b>x 2</b>	<b>B</b>  <b>x 1</b>	<b>C</b>  <b>x 1</b>	<b>D</b>  <b>x 1</b>
---	---	--	---

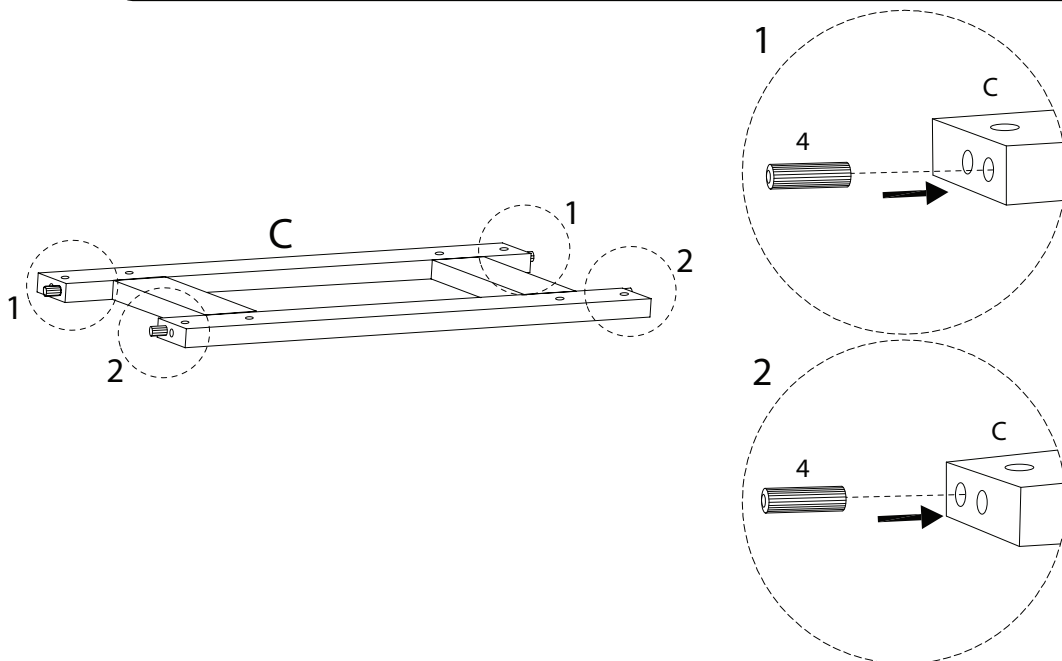
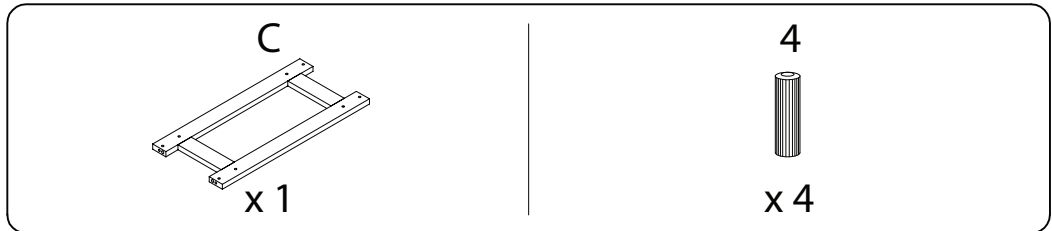


<b>1</b>  <b>M6</b> <b>x</b> <b>70</b> <b>x 8</b>	<b>2</b>  <b>M8</b> <b>x</b> <b>45</b> <b>x 4</b>	<b>3</b>  <b>x 12</b>	<b>4</b>  <b>x 6</b>	<b>5</b>  <b>x 8</b>	<b>6</b>  <b>x 1</b>
---	---	--	---	---	---

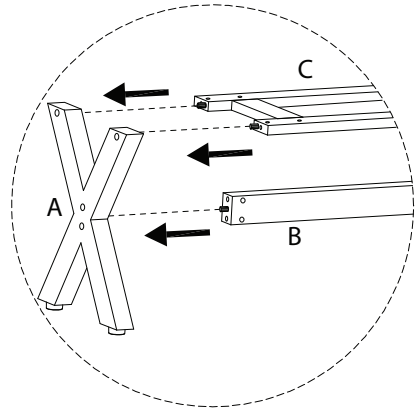
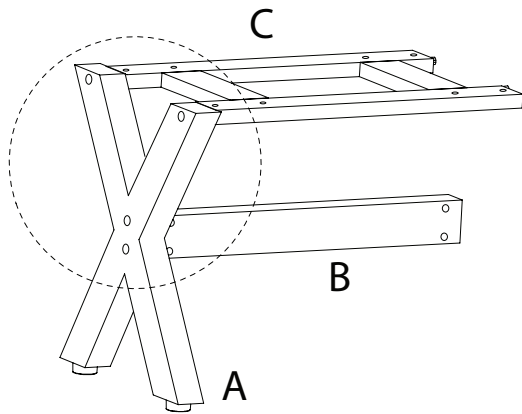
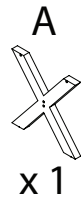
1



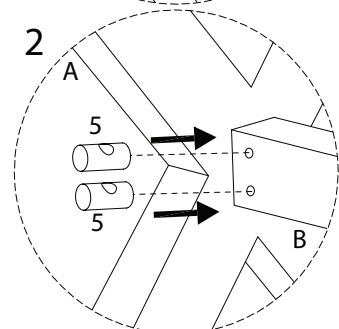
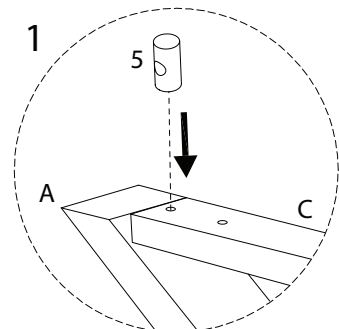
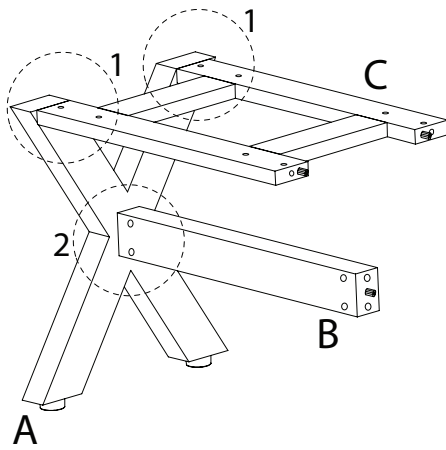
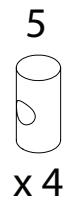
2



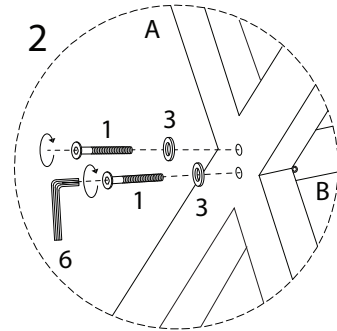
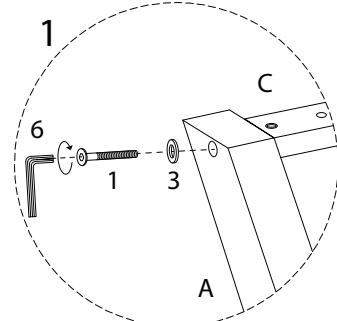
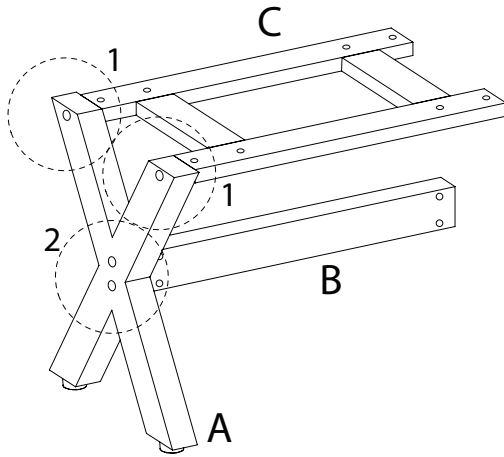
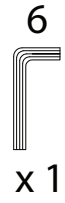
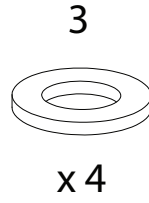
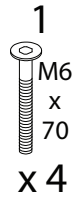
3



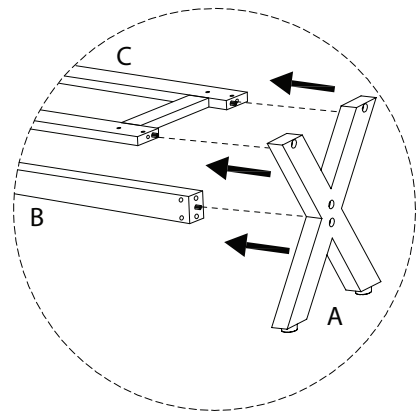
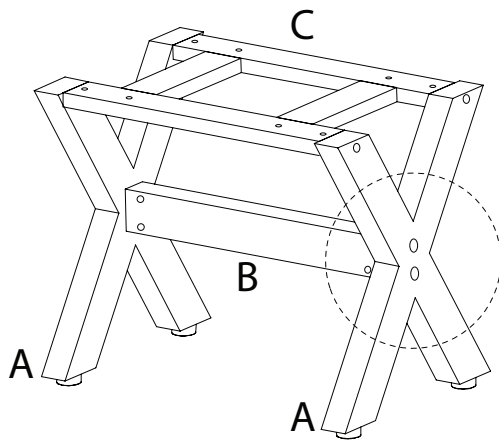
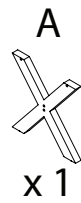
4



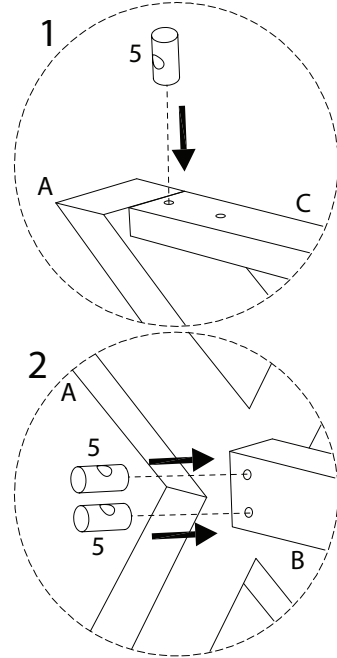
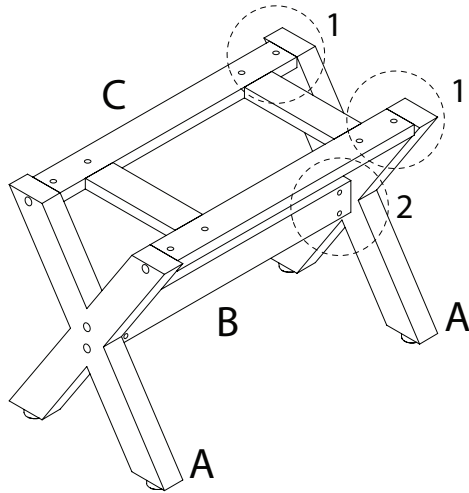
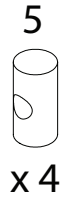
5



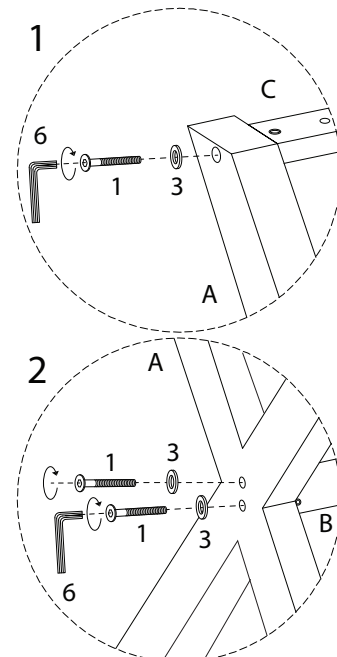
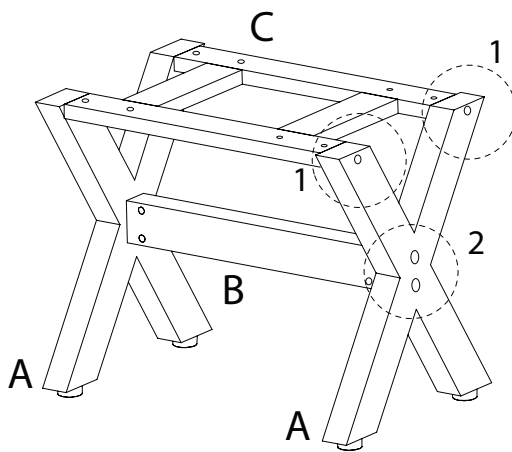
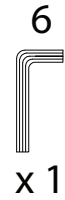
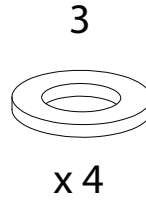
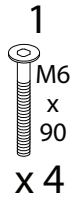
6



7



8



9

