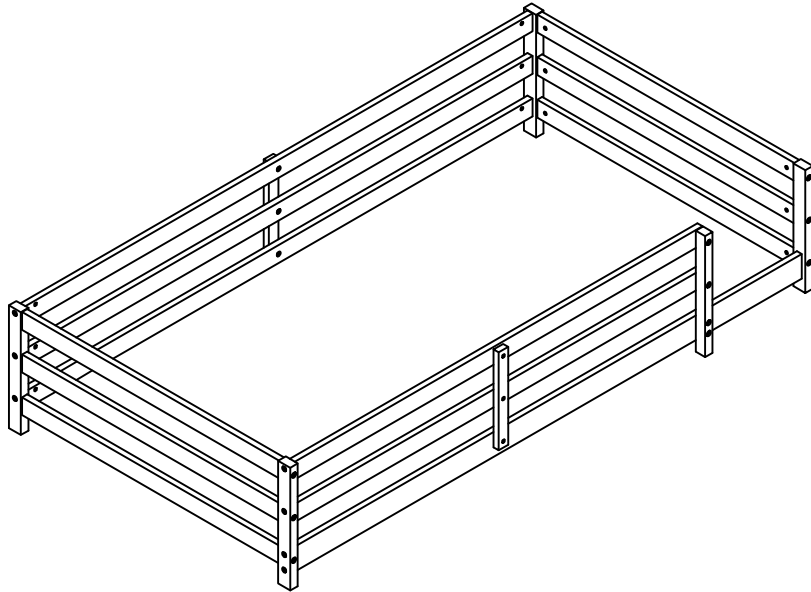
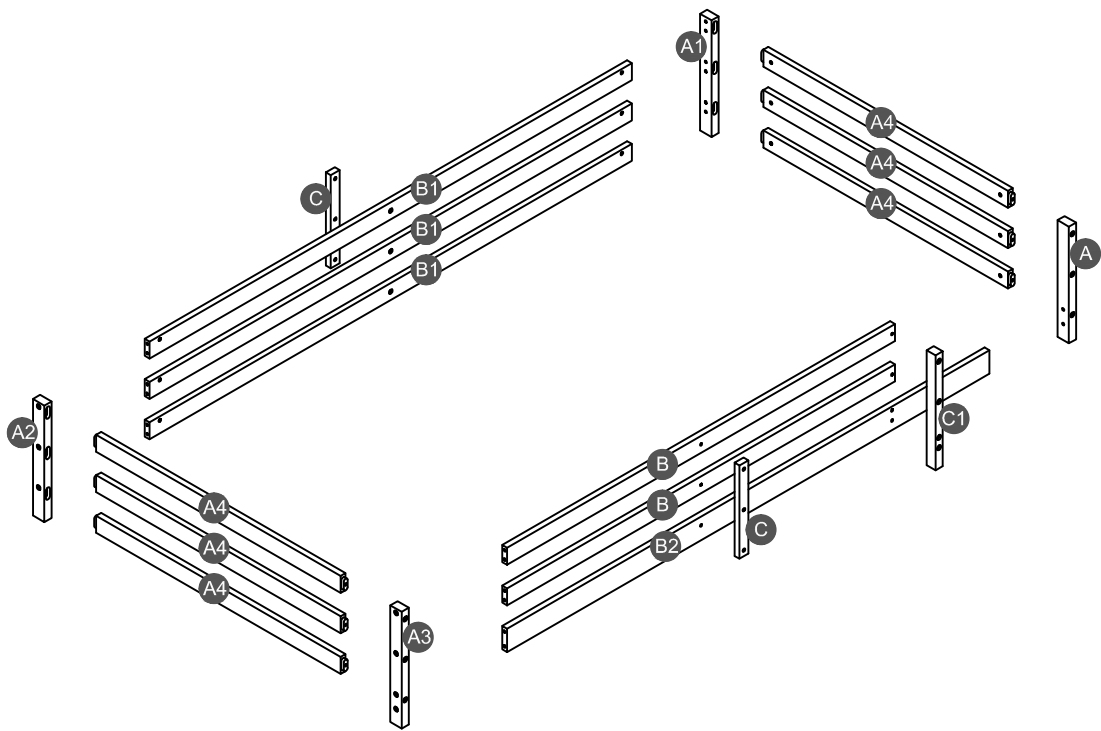


# ASSEMBLY INSTRUCTIONS

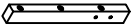

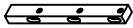
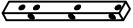
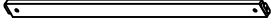
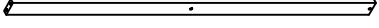

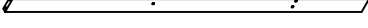
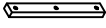
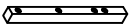
## TWIN FLOOR BED




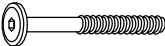



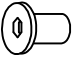

# Detail View



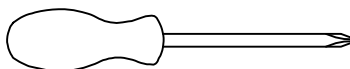
# Part List

<p><b>A</b></p>  <p>Leg (right front) - 1pc</p>	<p><b>A1</b></p>  <p>Leg (right back) - 1pc</p>	<p><b>A2</b></p>  <p>Leg (left back) - 1pc</p>
<p><b>A3</b></p>  <p>Leg (left front) - 1pc</p>	<p><b>A4</b></p>  <p>Horizontal bar - 6pcs</p>	<p><b>B</b></p>  <p>Short guard rail (front) - 2pcs</p>
<p><b>B1</b></p>  <p>Long guard rail (back) - 3pcs</p>	<p><b>B2</b></p>  <p>Side rail (Front) - 1pc</p>	<p><b>C</b></p>  <p>Vertical guard rail - 2pcs</p>
<p><b>C1</b></p>  <p>Vertical guard rail - 1pc</p>		

# Hardware List

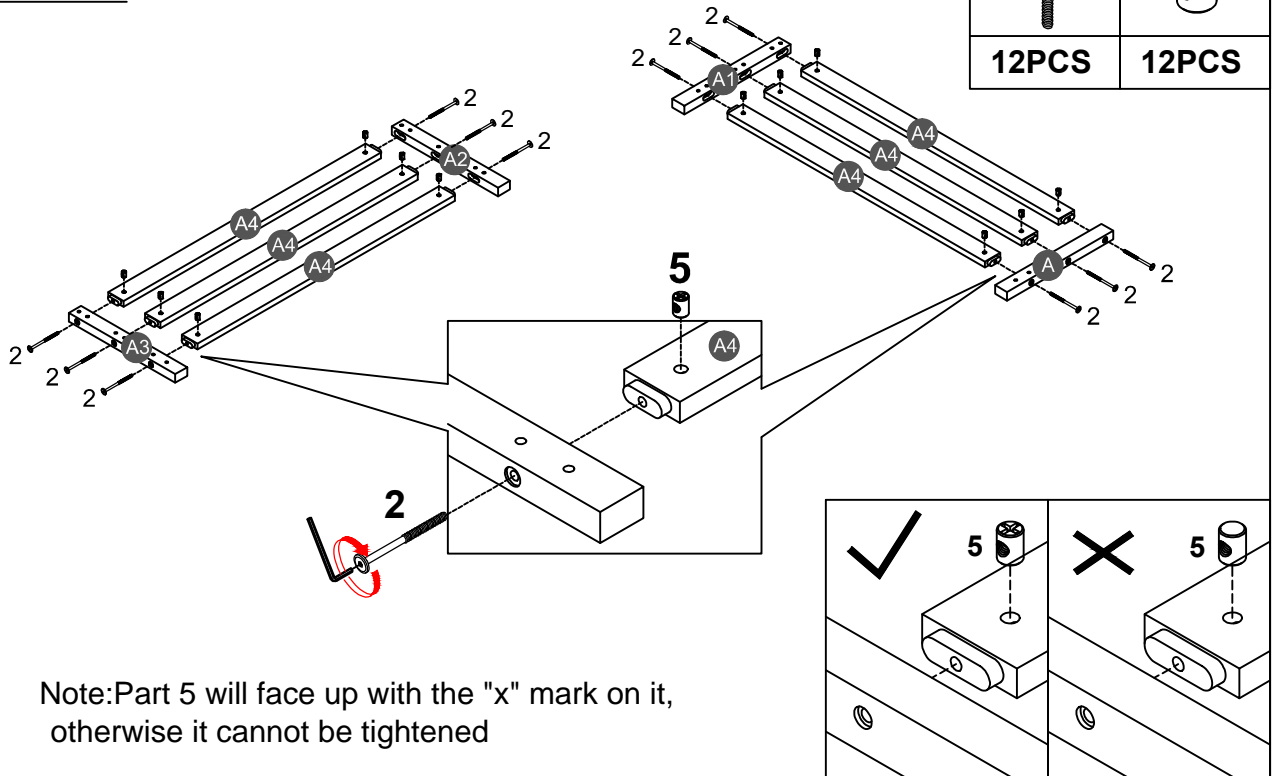
<b>1</b>  Ø8*30mm Wood dowel (8pcs)	<b>2</b>  (Ø15)1/4"*80mm Hex-Head bolts (24pcs)	<b>3</b>  (Ø12)1/4"*40mm Hex-Head bolts (4pcs)
<b>4</b>  (Ø12)1/4"*30mm Hex-Head bolts (6pcs)	<b>5</b>  1/4"*15 (9.5mm) Horizontal-Hole bolts(24pcs)	<b>6</b>  (Ø13)1/4"*14mm Connect bolt (10pcs)
<b>7</b>  (1/4")4.5*58mm Allen key (2pcs)		

## ASSEMBLY TOOLS REQUIRED ( NOT INCLUDED )

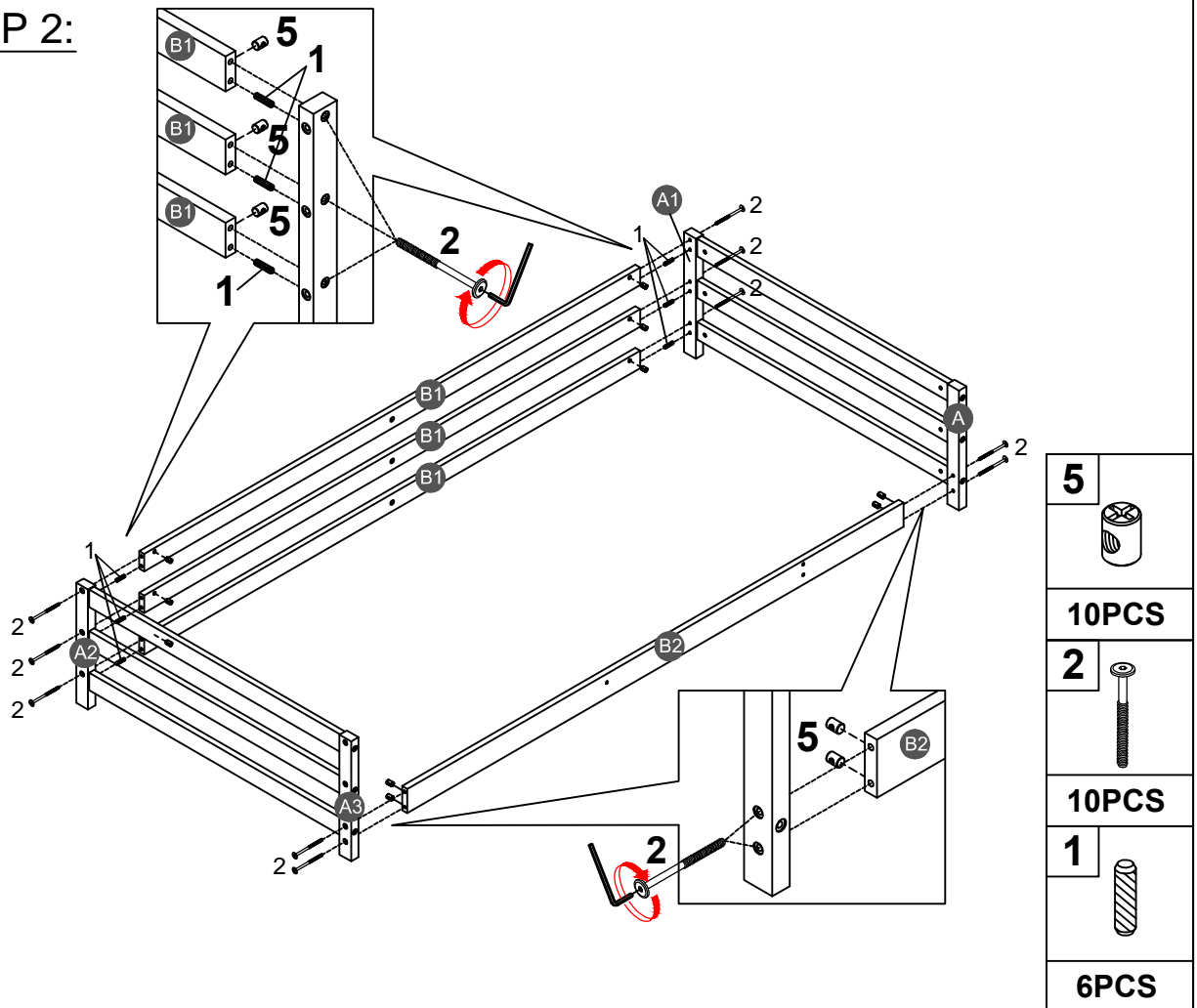


PLEASE BE CAREFUL DO NOT DAMAGE THE HOLE POSITION WHEN YOU USE POWER TOOLS !


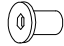
**STEP 1:**

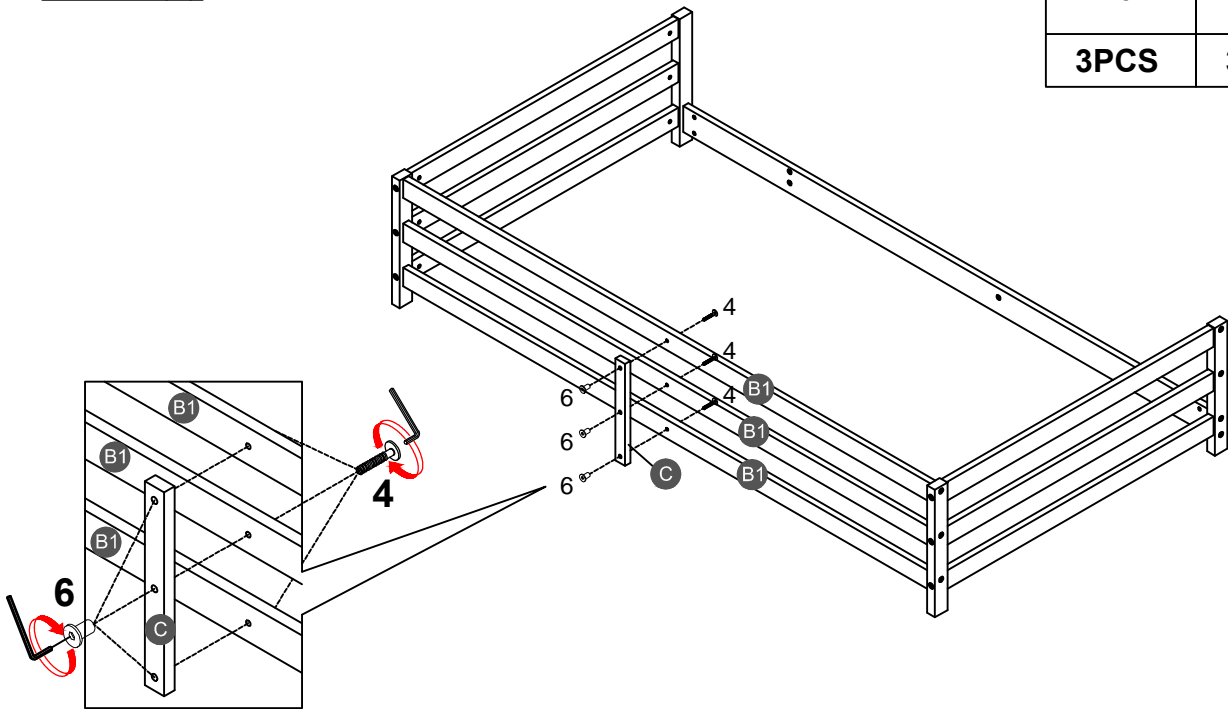


**STEP 2:**








### STEP 3:

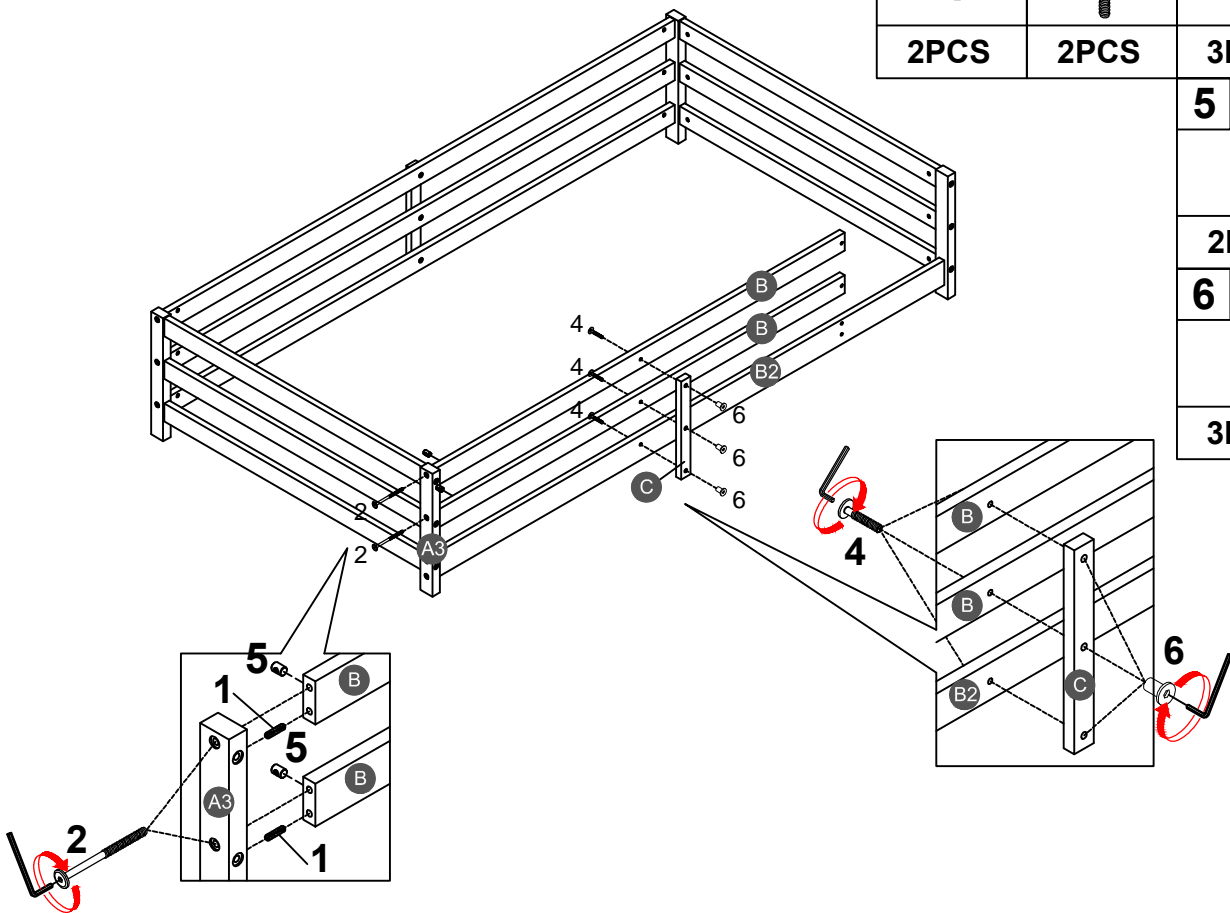
<b>4</b>		<b>6</b>	
<b>3PCS</b>		<b>3PCS</b>	



### STEP 4:

<b>1</b>		<b>2</b>		<b>4</b>	
<b>2PCS</b>		<b>2PCS</b>		<b>3PCS</b>	

<b>5</b>	
<b>2PCS</b>	
<b>6</b>	
<b>3PCS</b>	



**STEP 5:**

**3**



**4PCS**

**6**



**4PCS**

