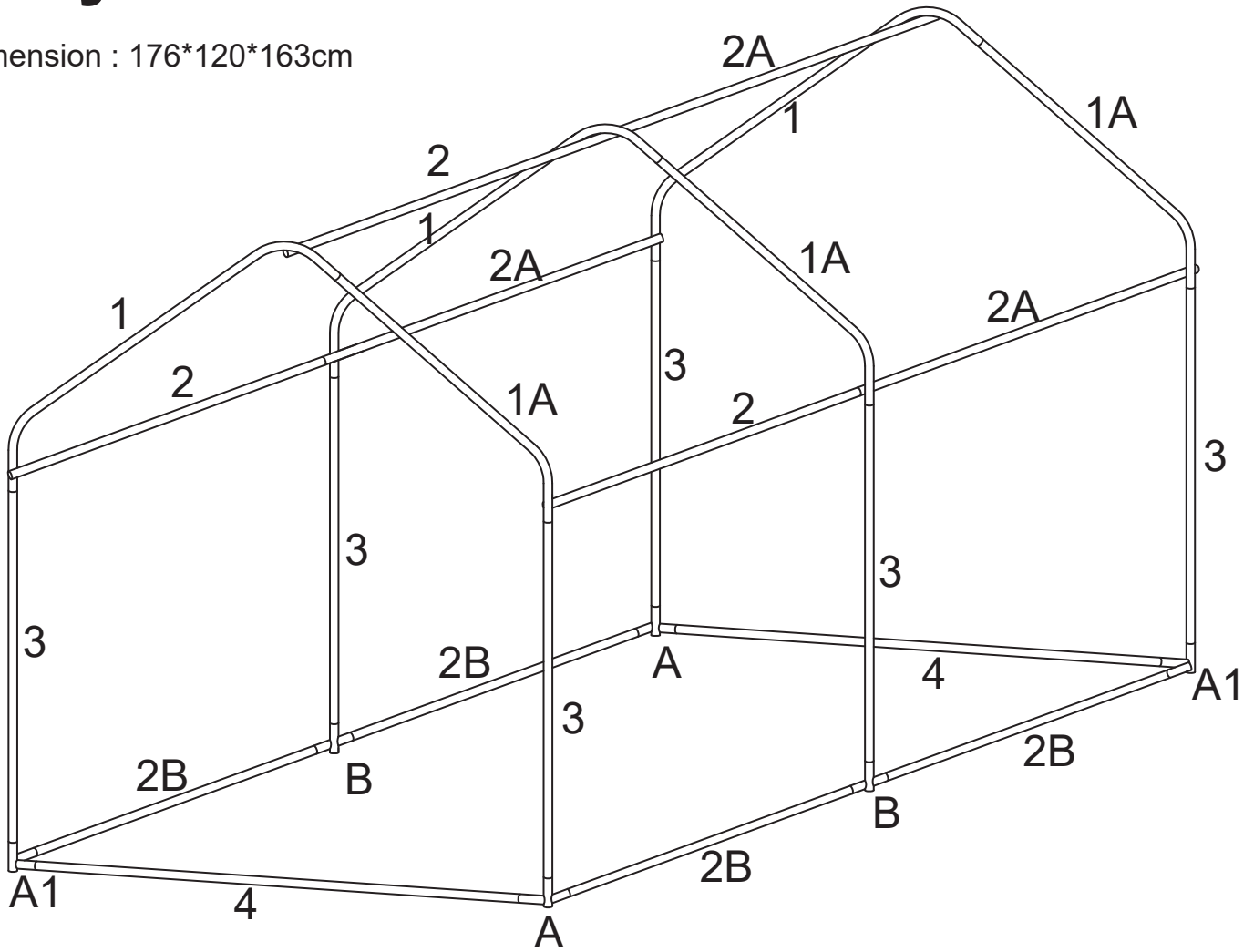


# Bicycle Shed

Dimension : 176\*120\*163cm

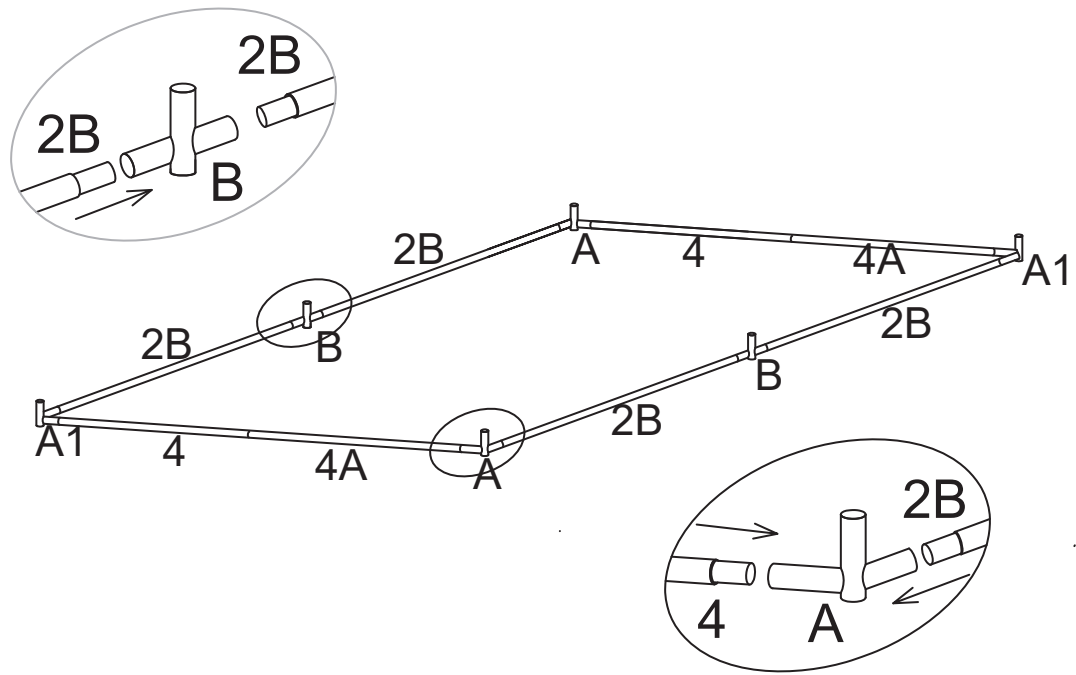


|     |  |      |
|-----|--|------|
| 1#  |  | 3PCS |
| 1A# |  | 3PCS |
| 2#  |  | 3PCS |
| 2A# |  | 3PCS |
| 2B# |  | 4PCS |
| 3#  |  | 6PCS |
| 4#  |  | 2PCS |
| A#  |  | 2PCS |
| A1# |  | 2PCS |
| B#  |  | 2PCS |

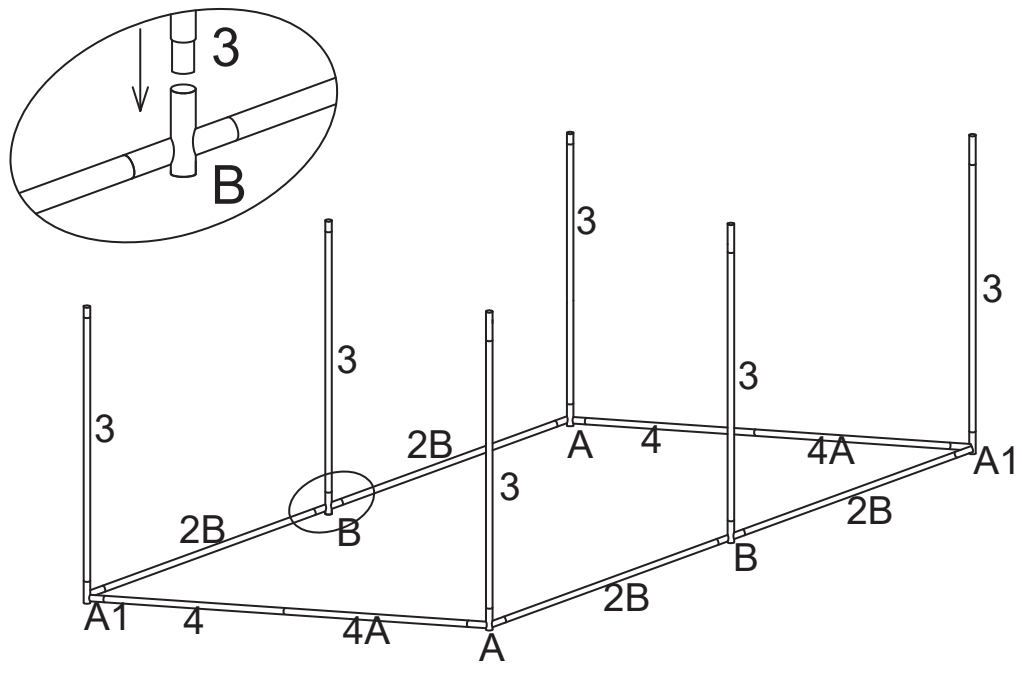
|  |  |       |
|--|--|-------|
|  |  | 9PCS  |
|  |  | 16PCS |
|  |  | 4PCS  |
|  |  | 4PCS  |
|  |  | 1PC   |
|  |  | 1PC   |
|  |  | 1PC   |
|  |  |       |
|  |  |       |
|  |  |       |

If you have any questions, please contact us : [info@sumolulife.com](mailto:info@sumolulife.com)

1



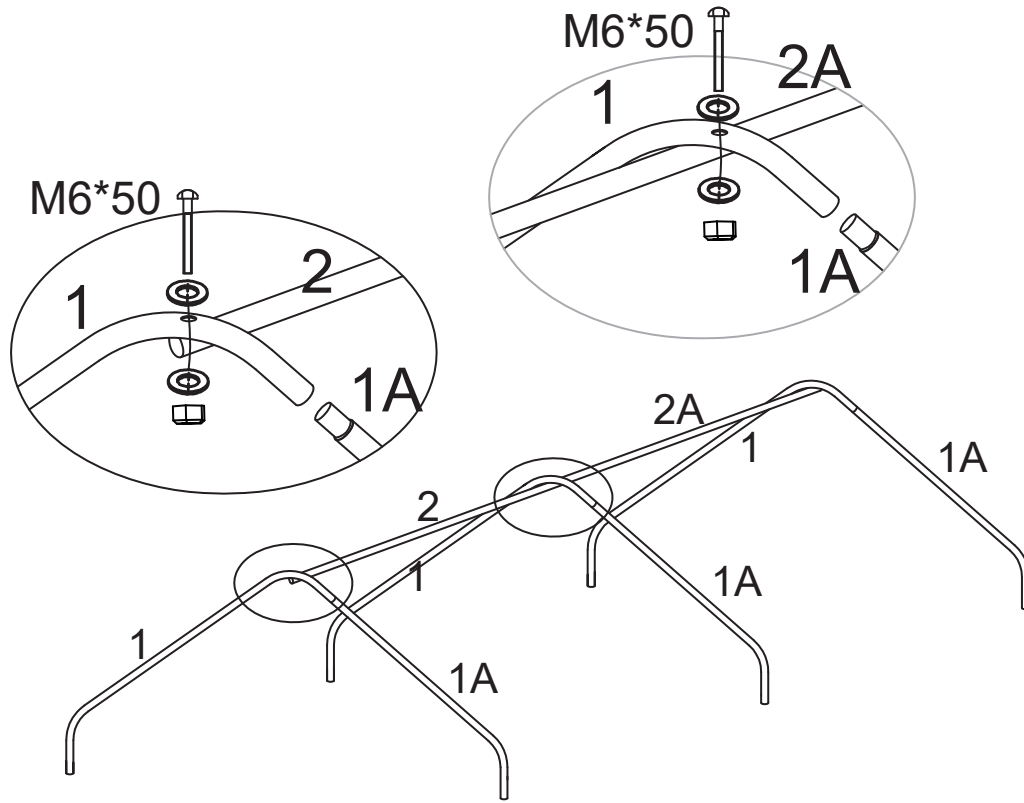
2



M6\*50mm 3pcs

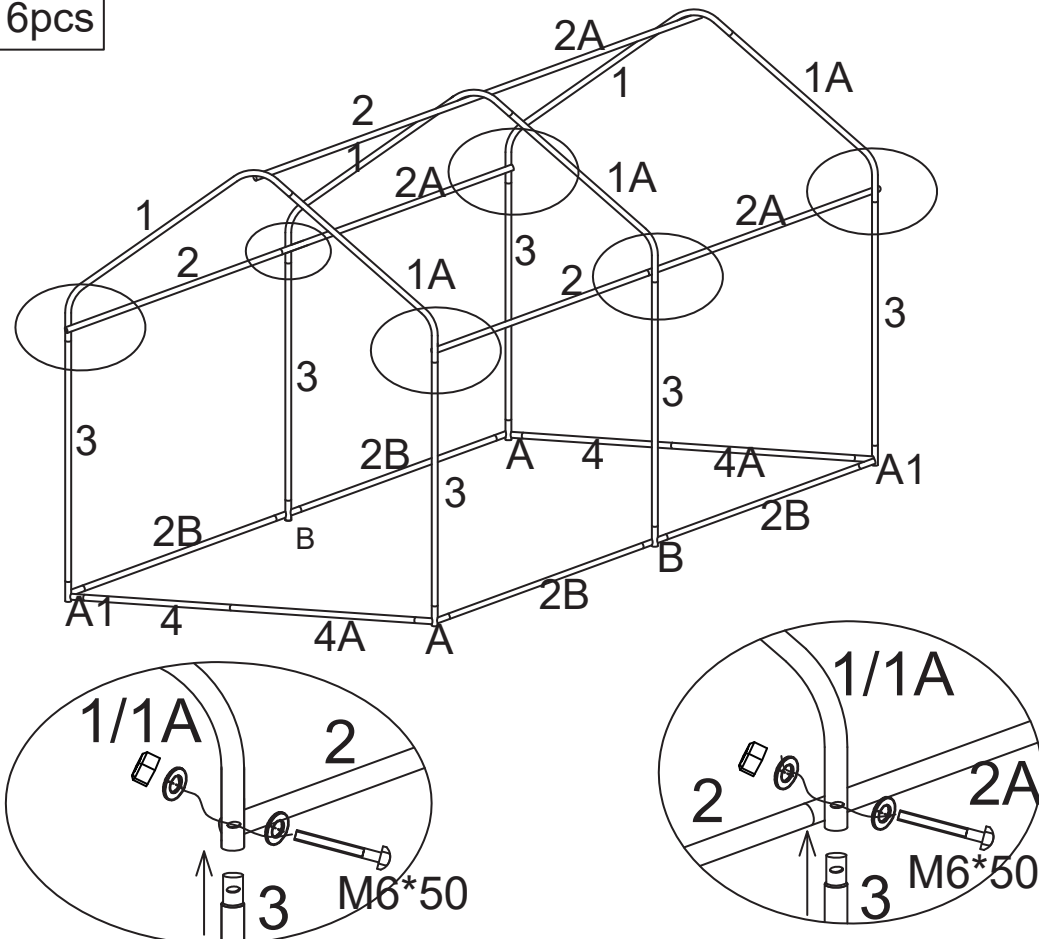
3

Note : Make sure the nut is installed in the right direction



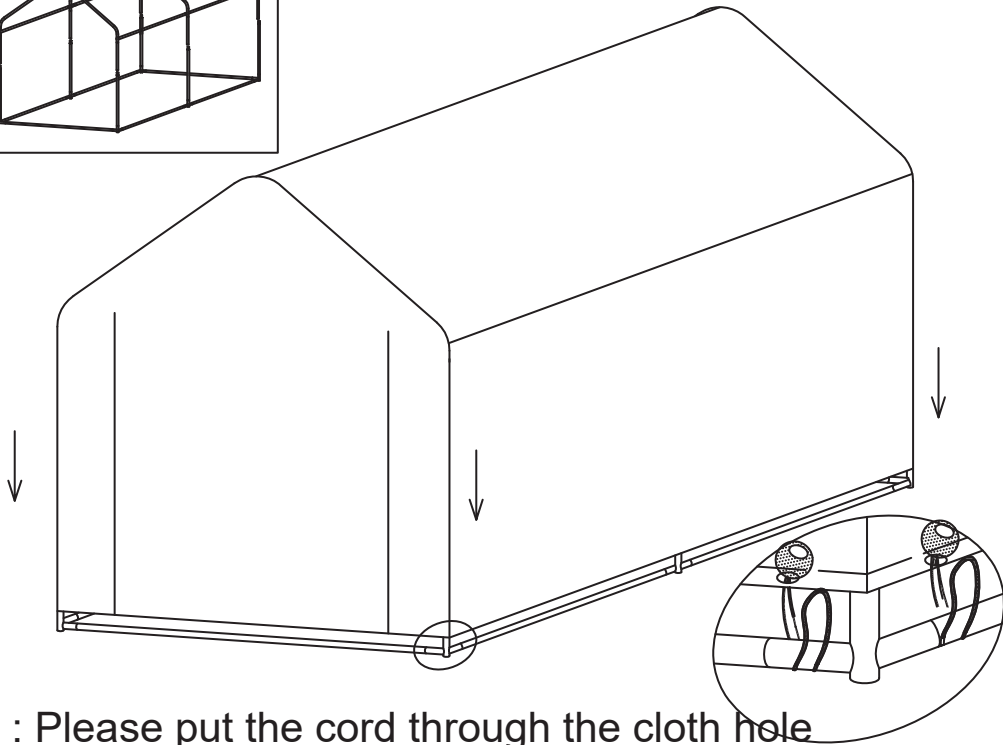
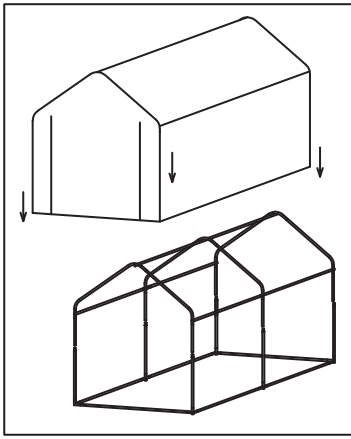
M6\*50mm 6pcs

4



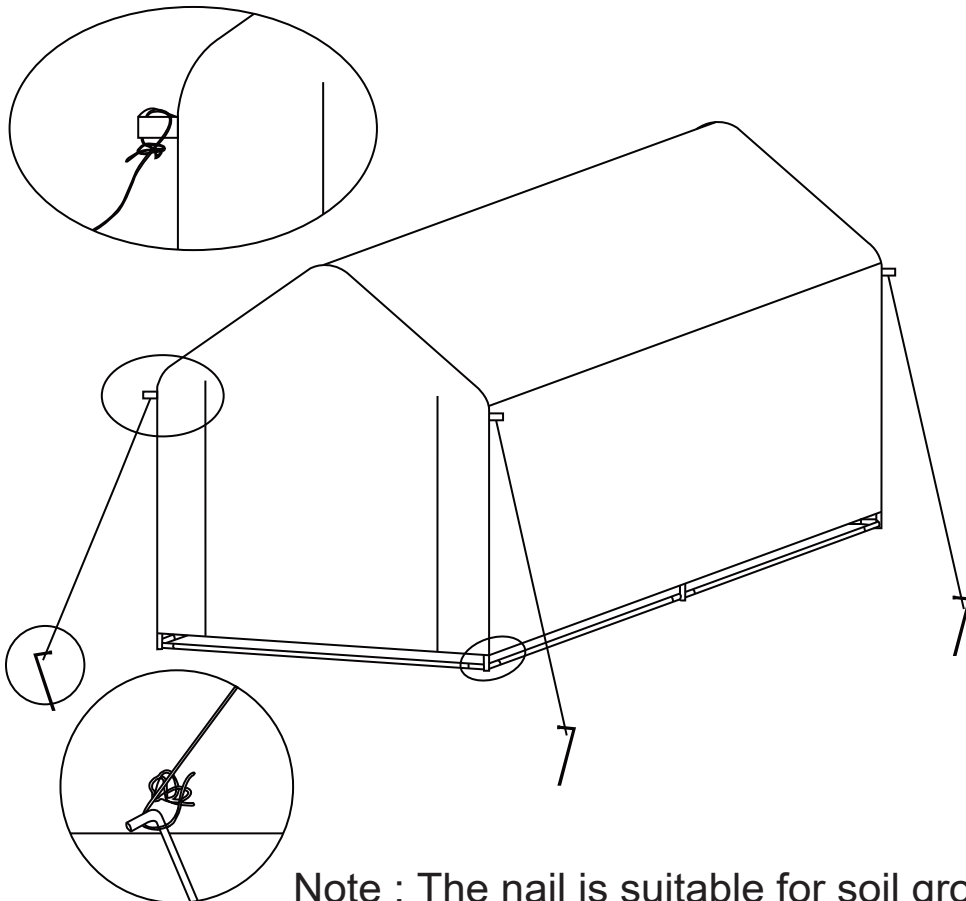
Note : Make sure the nut is installed in the right direction

5



Note : Please put the cord through the cloth hole

6



Note : The nail is suitable for soil ground.  
Need to pay attention when using in concrete floor!