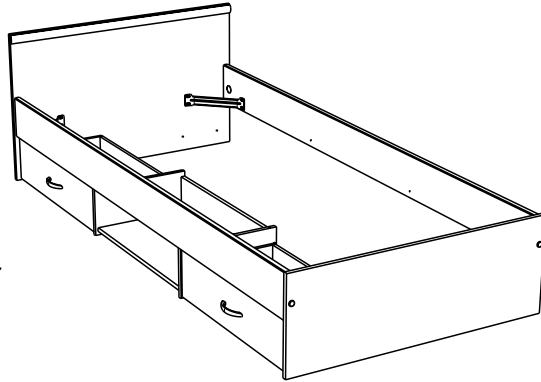
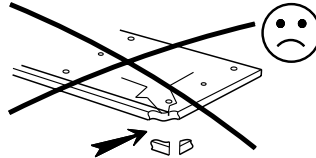
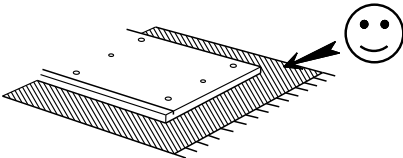
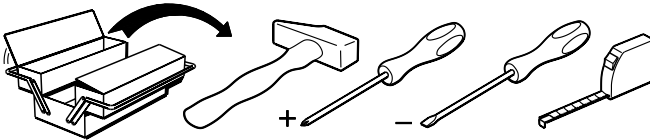


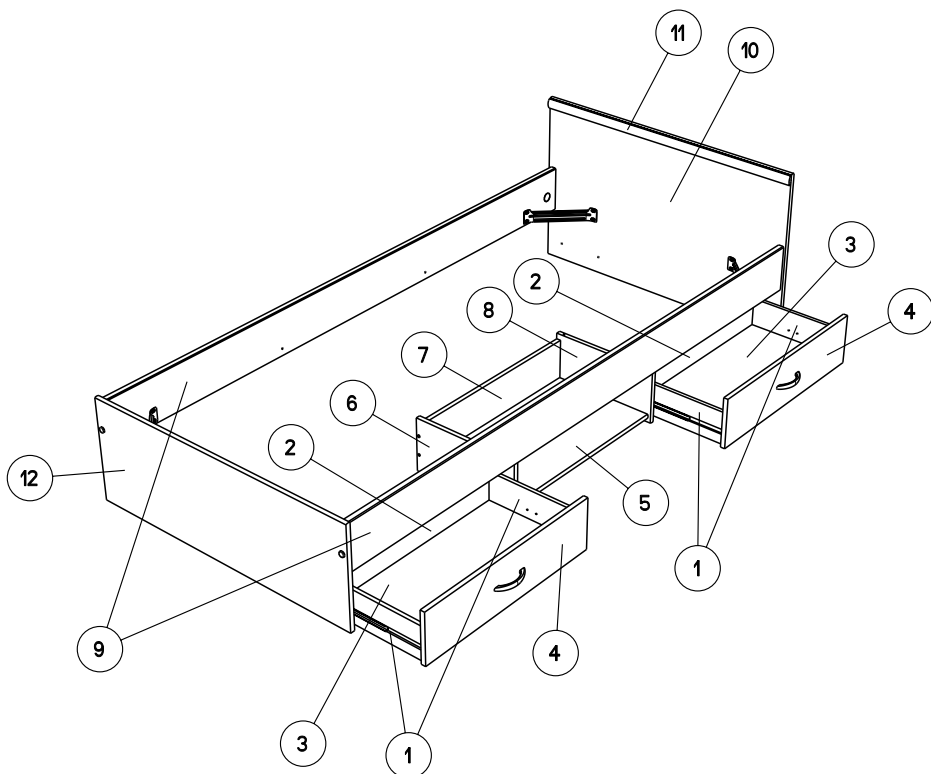
B

58.5cm
23 1/4"
95.5cm
37 3/4"
203cm
80"

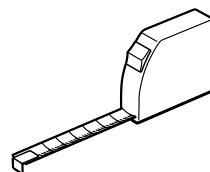


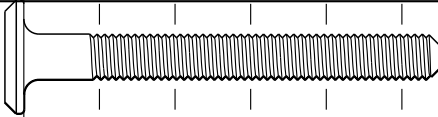
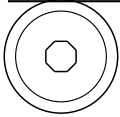
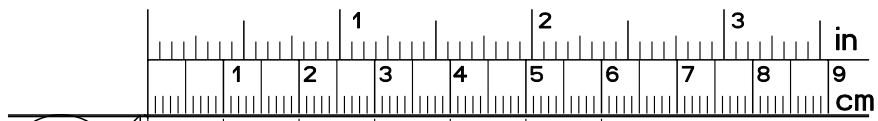
A



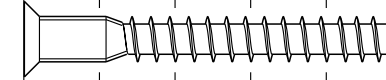


		mm			inch		
⑥	x 1	367	181	15	14 7/16	7 1/8	9/16
⑧	x 1	367	181	15	14 7/16	7 1/8	9/16
⑦	x 1	634	133	15	24 15/16	5 1/4	9/16
⑤	x 1	634	356	15	24 15/16	14	9/16
④	x 2	664	171	15	26 1/8	6 3/4	9/16
⑪	x 1	958	34	12	37 11/16	1 5/16	7/16
⑫	x 1	958	343	15	37 11/16	13 1/2	9/16
⑩	x 1	958	589	15	37 11/16	23 3/16	9/16
⑨	x 2	2000	155	22	78 3/4	6 1/8	7/8
①	x 4	335	110	13	13 3/16	4 5/16	1/2
②	x 2	635	110	13	25	4 5/16	1/2
③	x 2	646	334	3	25 7/16	13 1/8	1/8





BLZ x 4



HW x 4



ADM x 22



ADU x 8

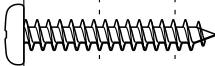
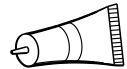
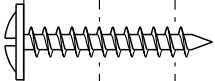


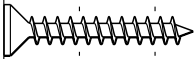
ABB x 4



CF x 1



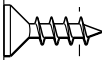
XN x 4



VJ x 2



HV x 1



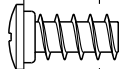
VG x 8



VU x 4



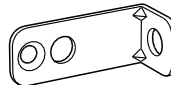
BML x 2



VB x 20



ANK x 8



BLL x 2

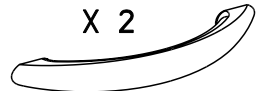


CI x 4



VR x 4

X 2

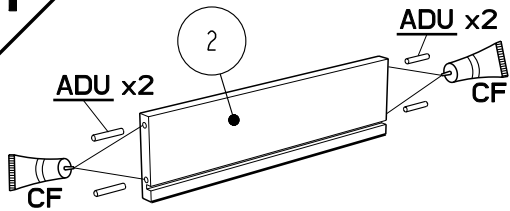


BLR x 4

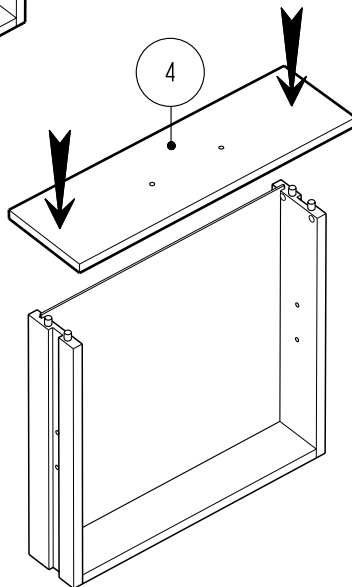
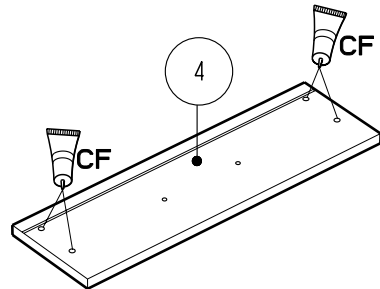
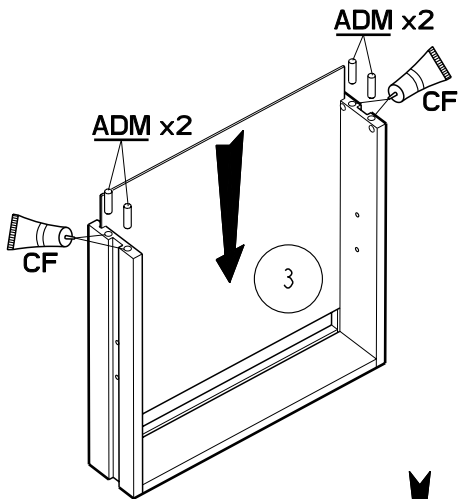
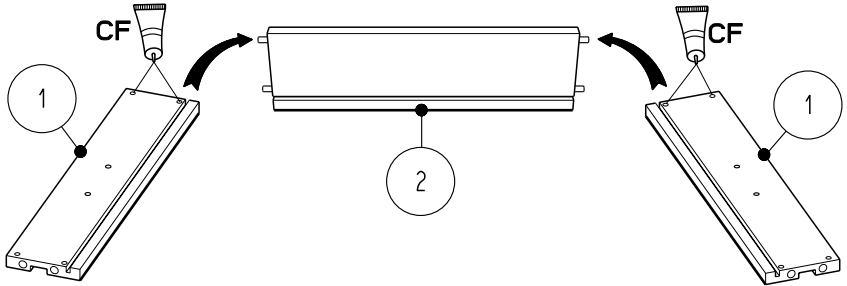


EP x 2

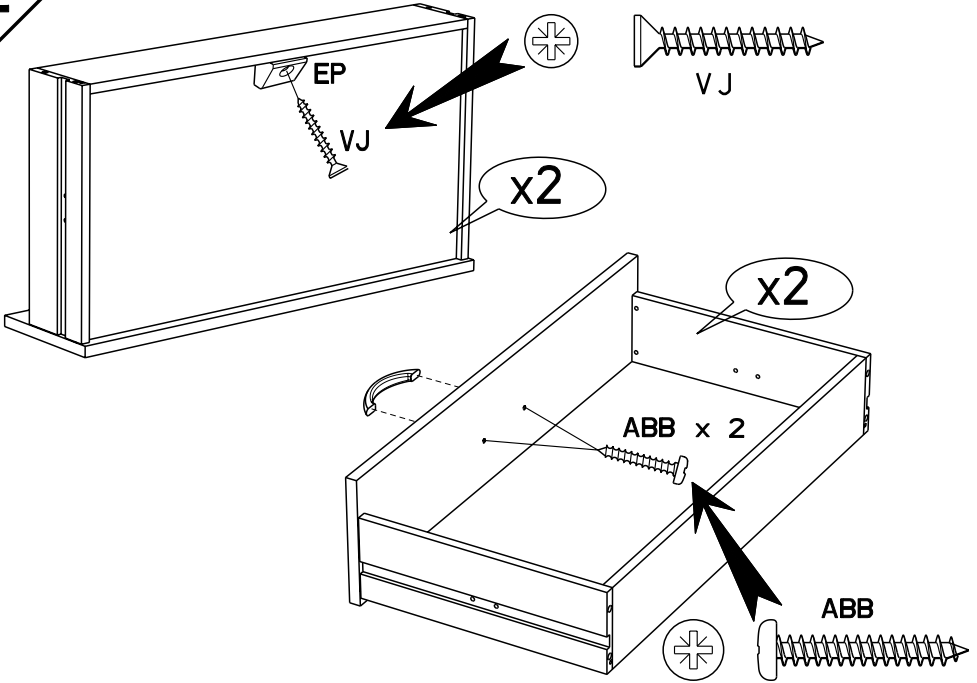
1



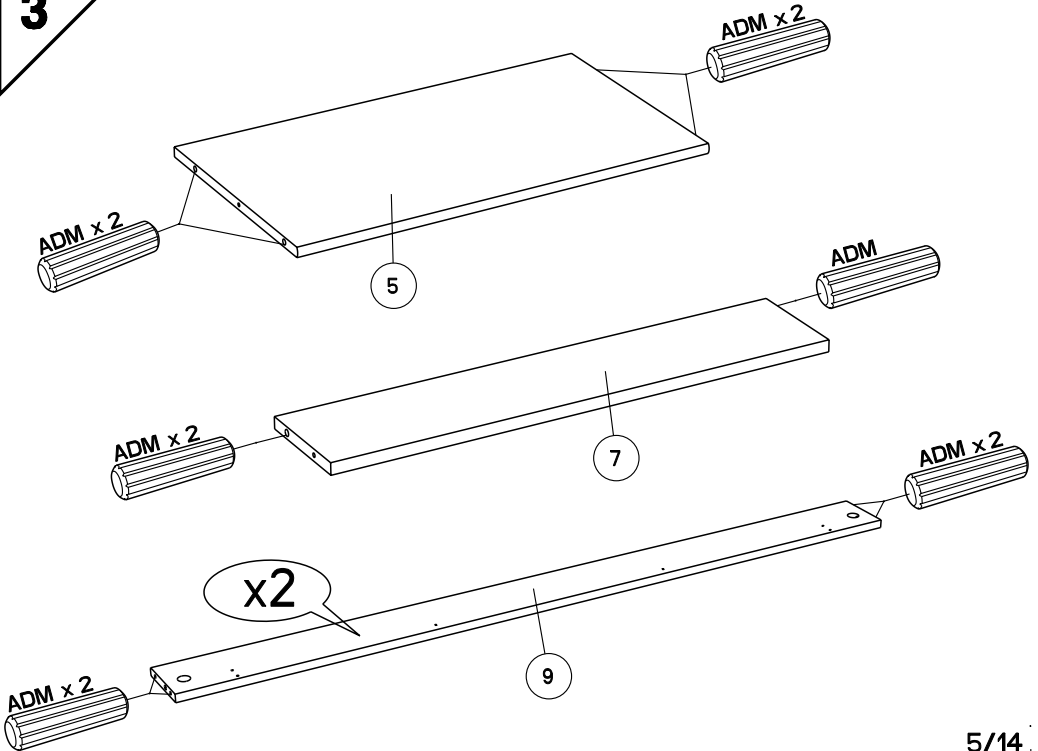
x2



2



3

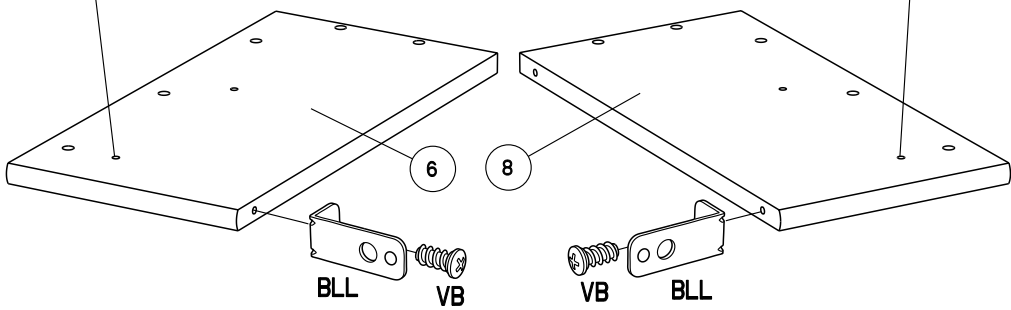
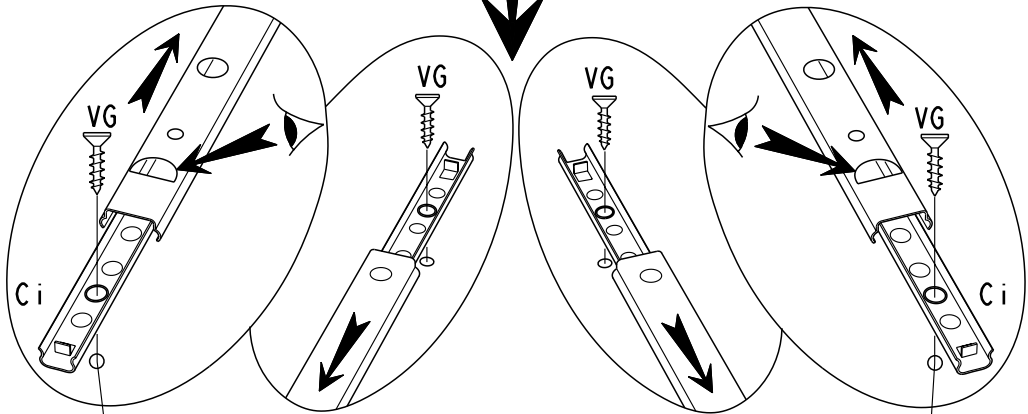
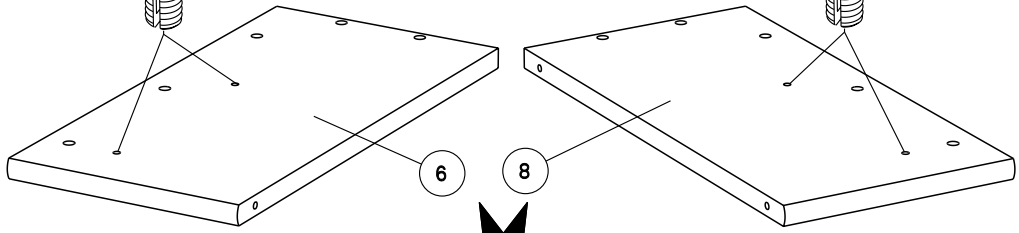


4

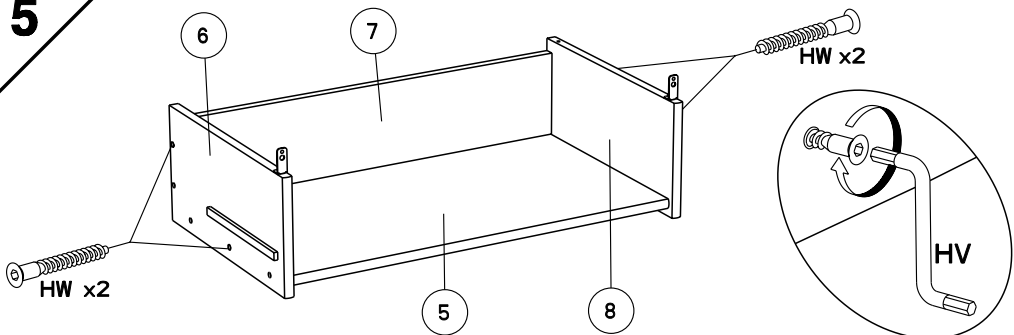


ANK x2

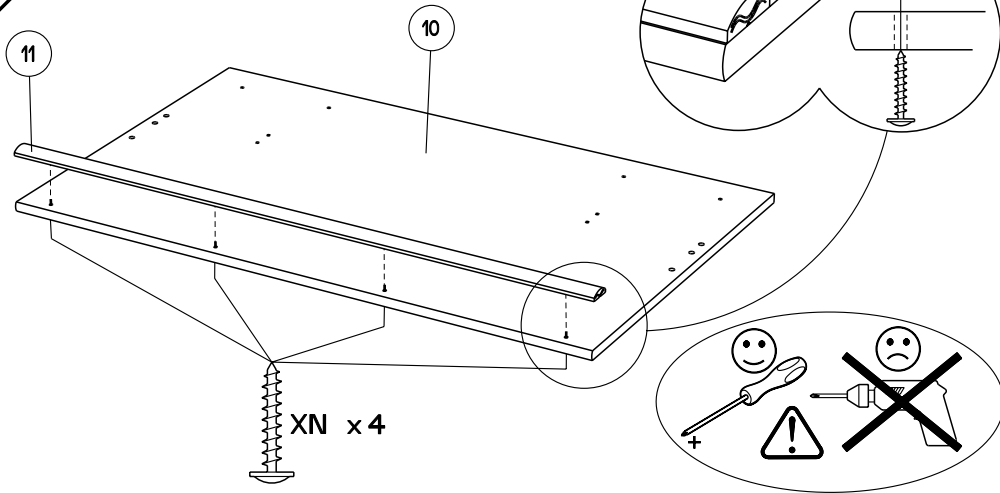
ANK x2



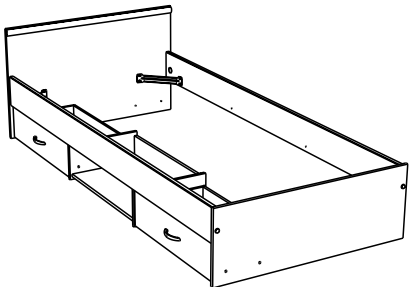
5



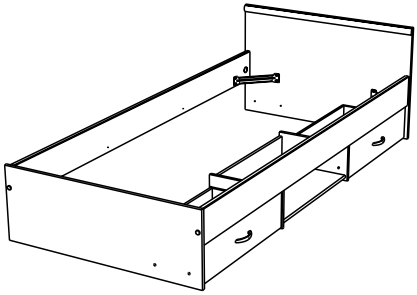
6



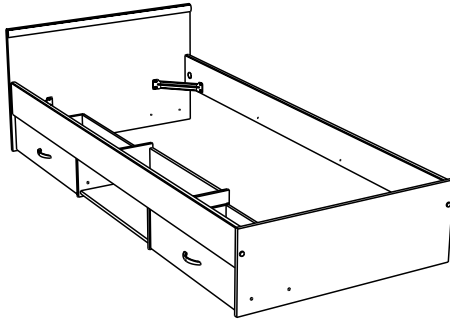
A



B

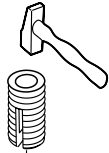


A

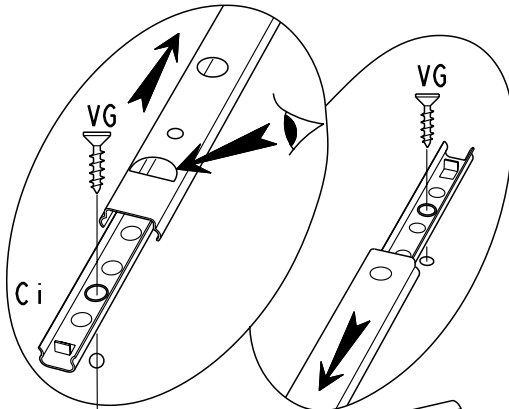
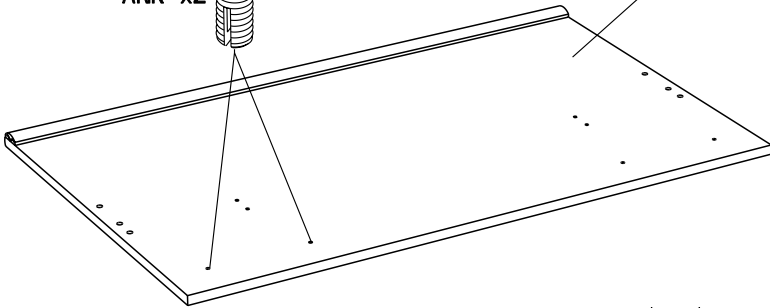


7

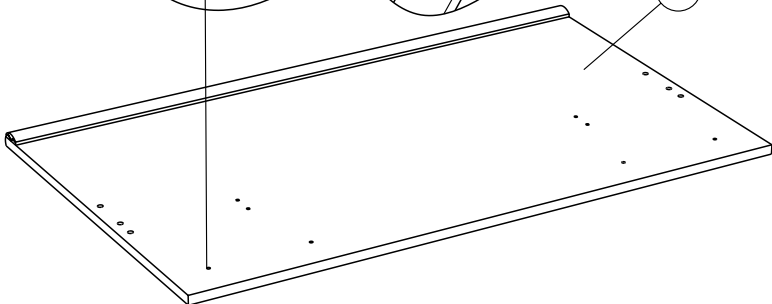
ANK x2



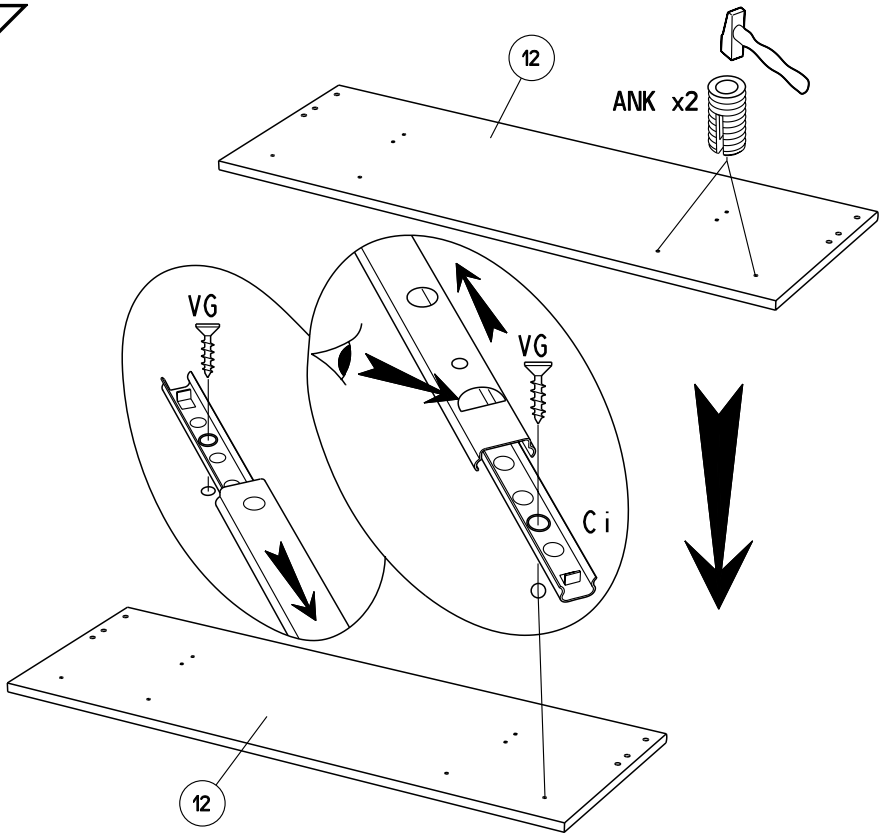
10



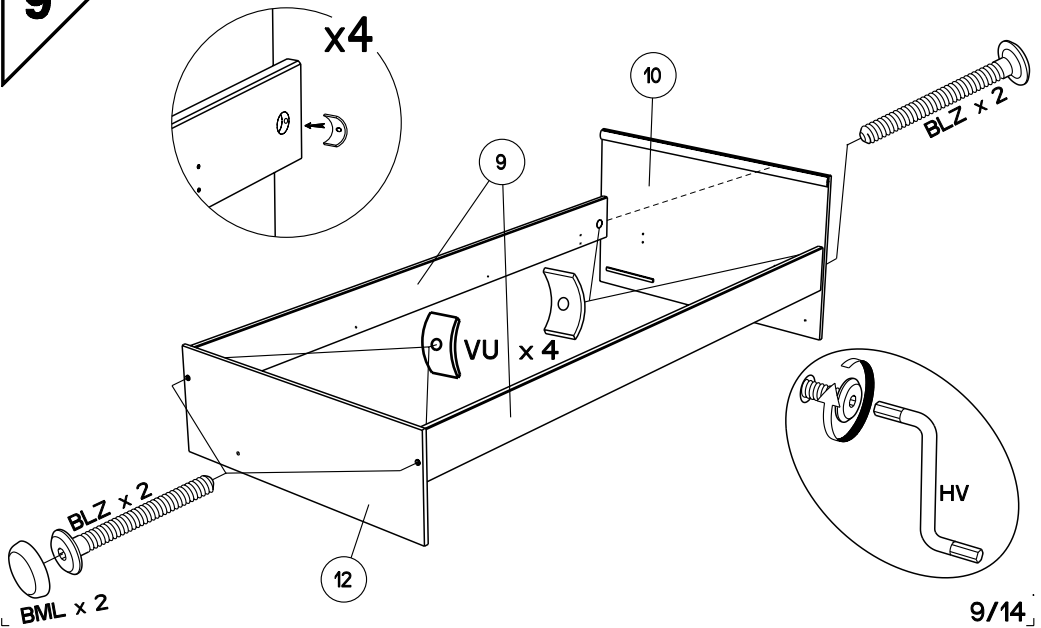
10



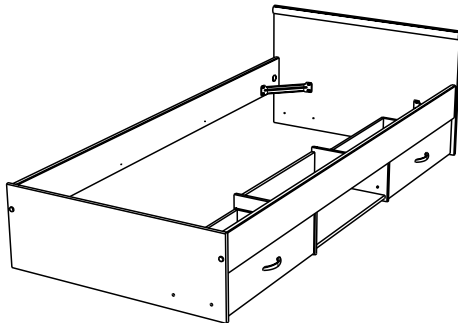
8



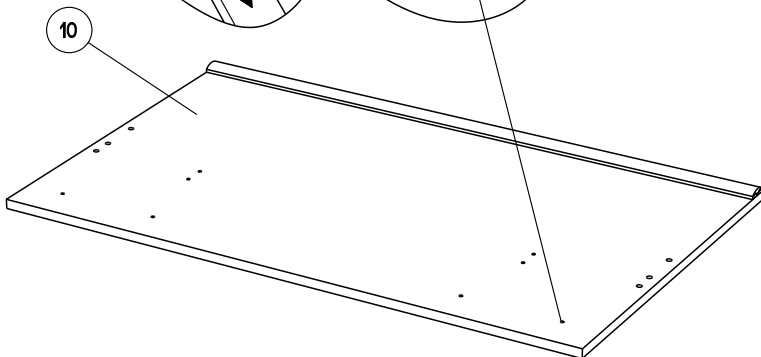
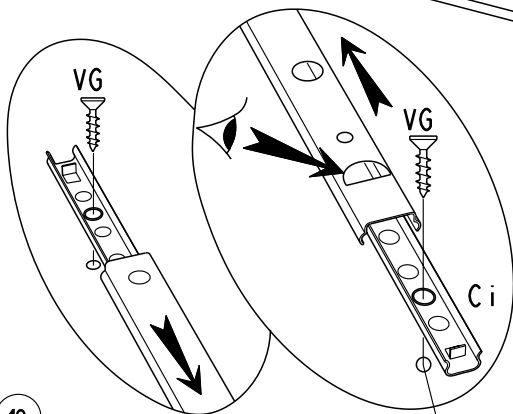
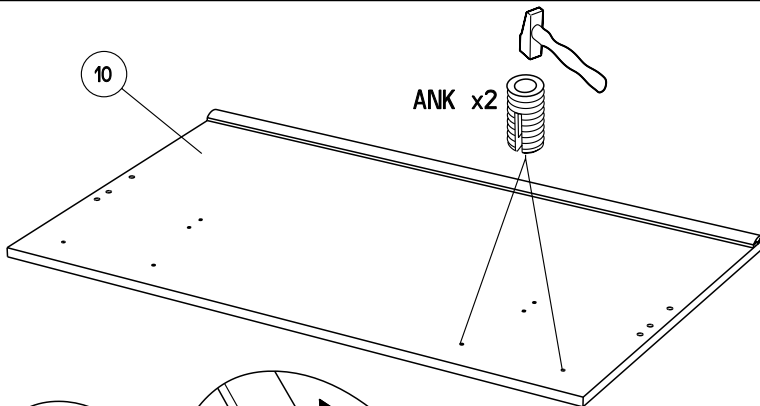
9



B



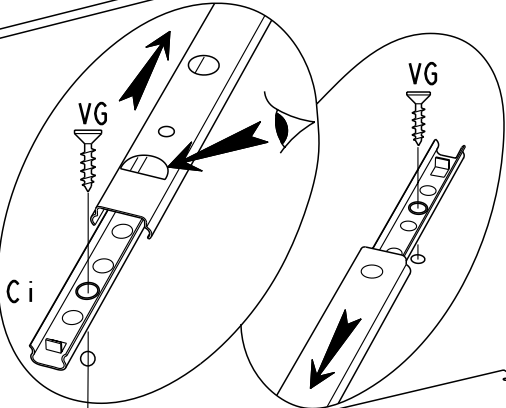
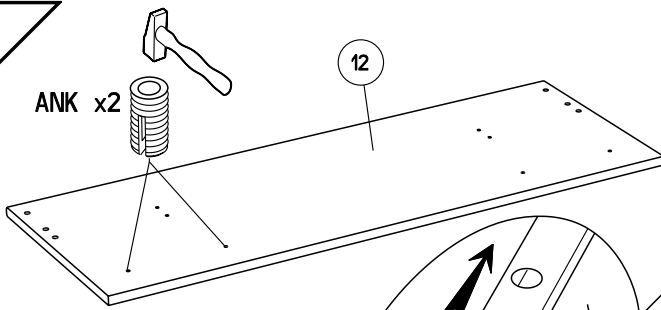
7



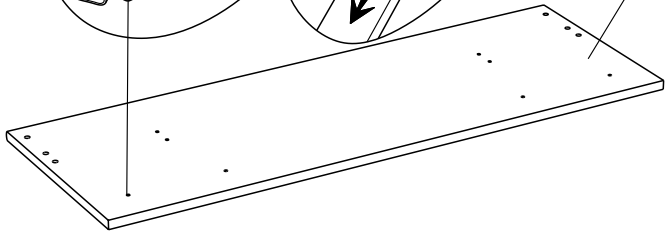
8

ANK x2

12



12



9

10

9

x4

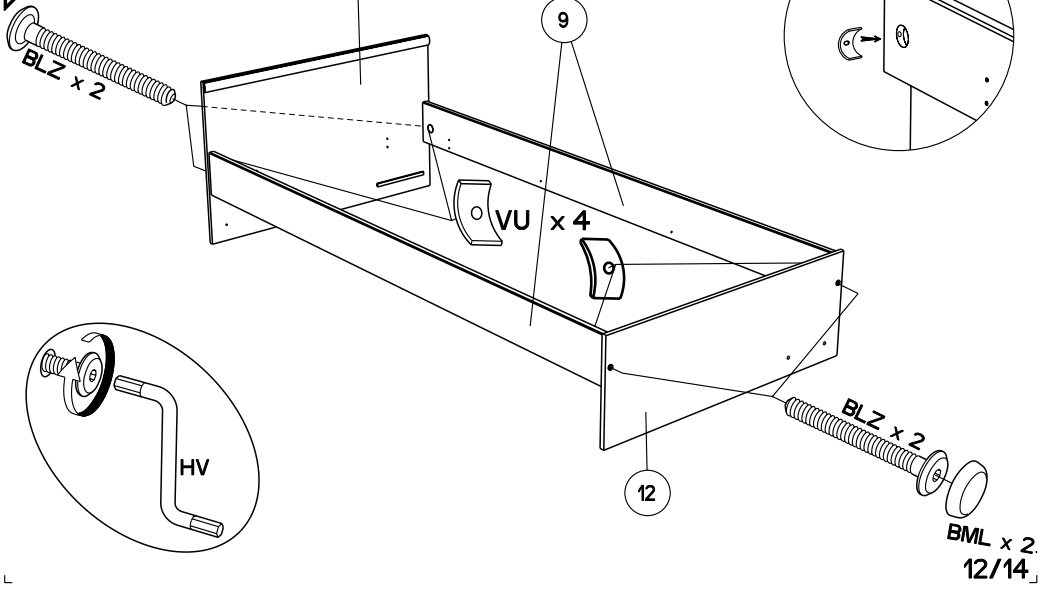
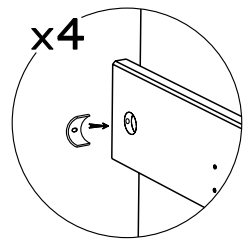
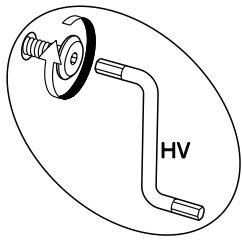
BLZ x 2

VU x 4

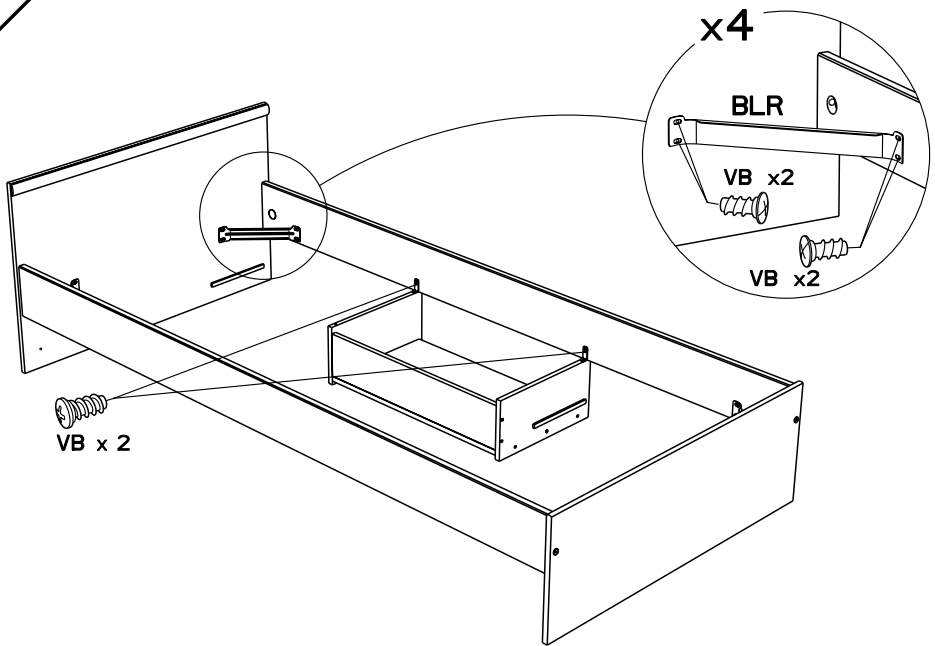
12

BLZ x 2

BML x 2
12/14



10



11

