

# *ASSEMBLY INSTRUCTIONS*



***Full Bed***

# ASSEMBLY INSTRUCTIONS

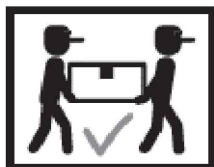
## ASSEMBLY TIPS:

1. Remove hardware from box and sort by size.
2. Please check to see that all hardware and parts are present prior to start of assembly.
3. Please follow attached instructions in the same sequence as numbered to assure fast & easy assembly.

### WARNING!



1. Don't attempt to repair or modify parts that are broken or defective. Please contact the store immediately.
2. This product is for home use only and not intended for commercial establishments.



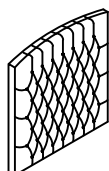
ASSEMBLY TIME

15 MINUTES

## PARTS IDENTIFICATION

### B1(BOX1)

AV HEADBOARD PANEL



1PC

CV RIGHT EAR PANEL



1PC

BV LEFT EAR PANEL



1PC

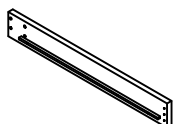
### B2(BOX2)

DV FOOTBOARD LEG



2PCS

FV RIGHT BED RAIL



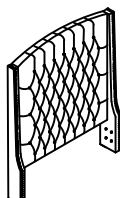
1PC

HV BED SLAT



4PCS

HBV FROM  
BOX1  
HEADBOARD  
COMPLETE



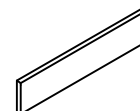
1PC

EV LEFT BED RAIL



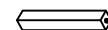
1PC

GV FOOTBOARD PANEL



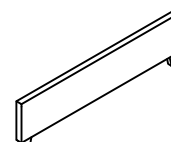
1PC

IV BED SLAT SUPPORT  
WITH LEVELER



4PC

FBV FROM  
BOX2  
FOOTBOARD  
COMPLETE



1PC

# ASSEMBLY INSTRUCTIONS

## ASSEMBLY TIPS:

1. Remove hardware from box and sort by size.
2. Please check to see that all hardware and parts are present prior to start of assembly.
3. Please follow attached instructions in the same sequence as numbered to assure fast & easy assembly.



### WARNING!

1. Don't attempt to repair or modify parts that are broken or defective. Please contact the store immediately.
2. This product is for home use only and not intended for commercial establishments.

## HARDWARE IDENTIFICATION

### (BOX1)-HARDWARE PACK

1 ALLEN WRENCH  
(5MM-RBW)



1PC

2 FLAT WASHER  
( Ø 5/16 "-RBW )



6PCS

3 BOLT  
( Ø 5/16 "X50mm-RBW )



6PCS

### (BOX2)-HARDWARE PACK

4 ALLEN WRENCH  
(5MM-RBW)



1PC

5 FLAT WASHER  
( Ø 5/16 "-RBW )



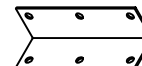
22PCS

6 LONG BOLT  
( Ø 5/16 "X70mm-RBW )



10PCS

7 HEADBOARD CORNER  
BRACKET  
( 150mmX45mmX45mmX2mm-RBW )



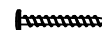
2PCS

8 SHORT BOLT  
( Ø 5/16 "X25mm-RBW )



12PCS

9 FLAT HEAD SCREW  
( m4x30mm-RBW )



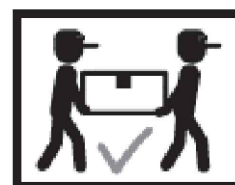
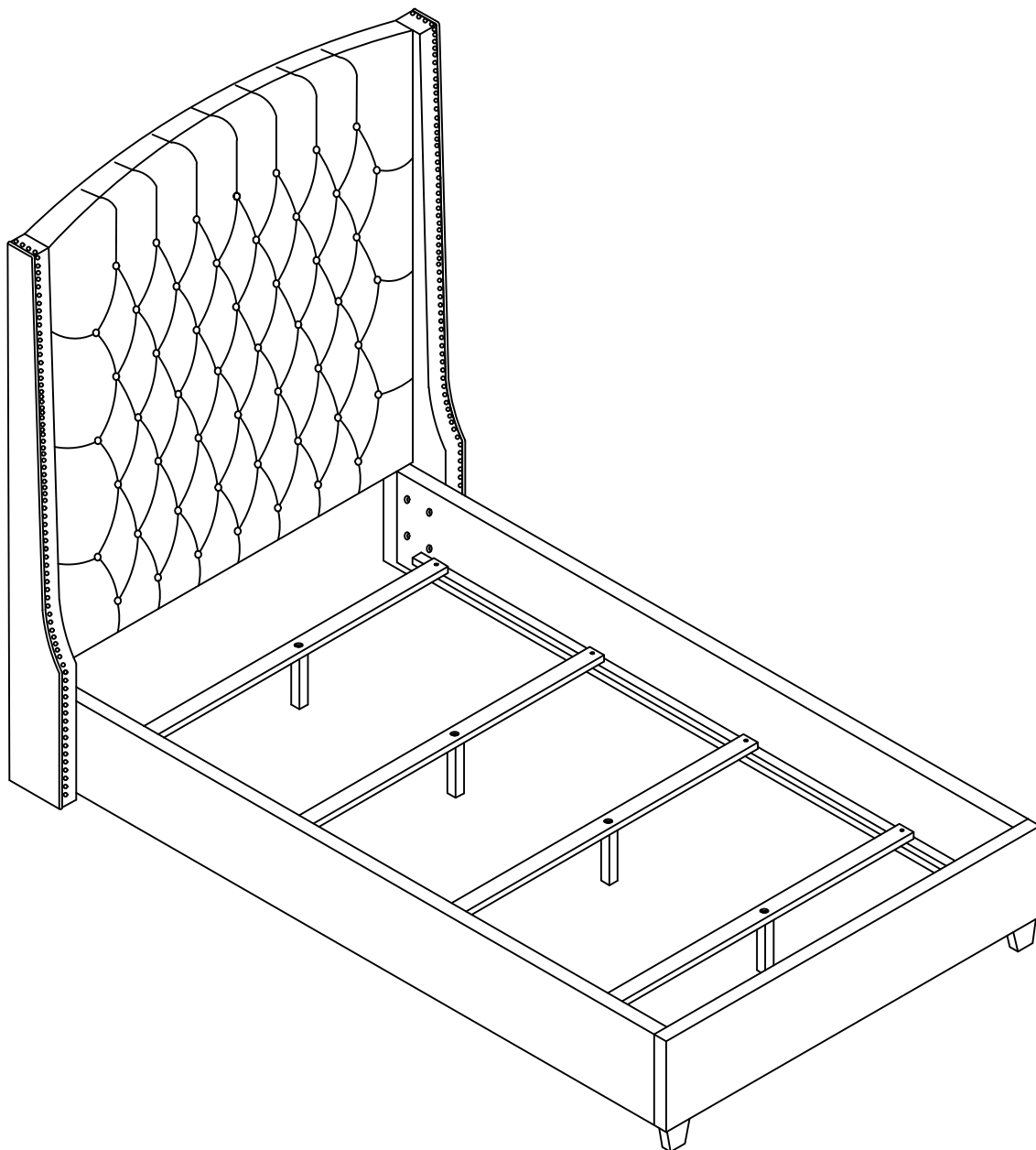
8PCS

### NOTE:

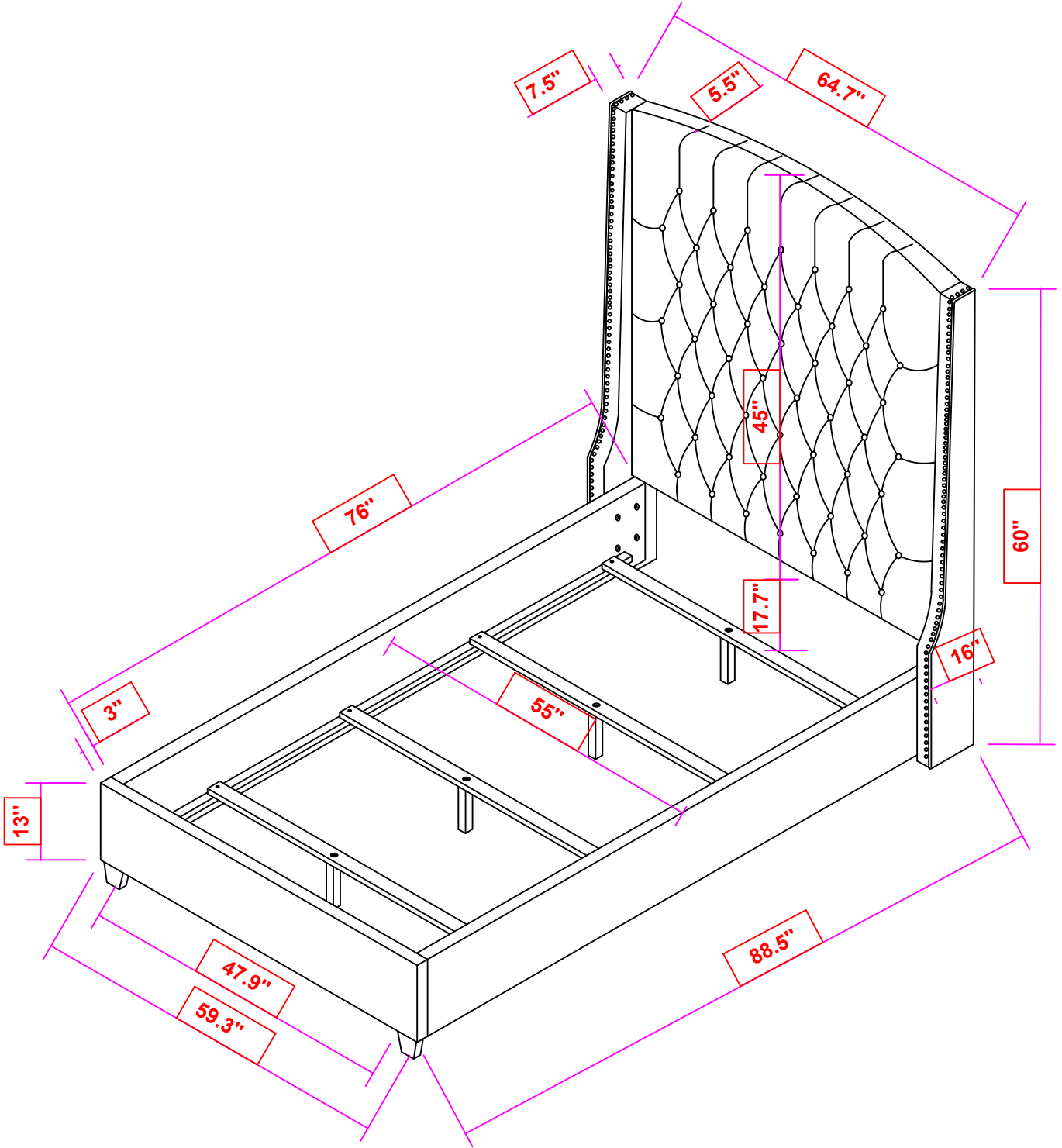
Phillips hed screw driver is required in the assembly process; however, manufacturer does not provide this item.



**ASSEMBLY INSTRUCTIONS**  
**STEP 4**  
**COMPLETE**



**INNER SIZE:76"X55"**



**NOTE:Dimension tolerance±5%**