

VEVOR

Affordable. Reliable. Home Improvement.

STORAGE CABINET

USER MANUAL

MODEL: ZH620, ZH621

VEVOR Support Center



ZH620



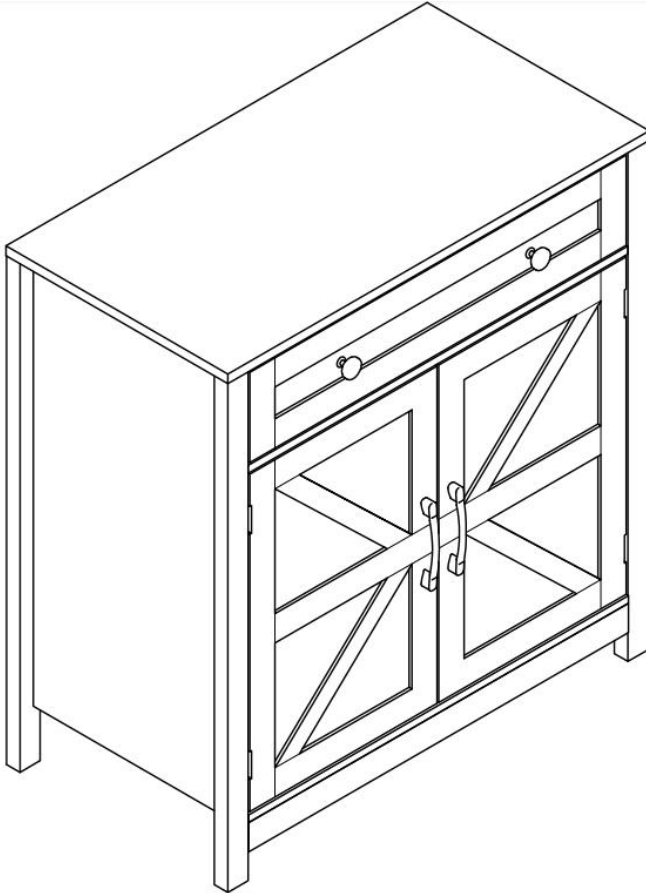
ZH621

VEVOR

Affordable. Reliable. Home Improvement.

STORAGE CABINET

MODEL: ZH620, ZH621



This is the original instruction, please read all manual instructions carefully before operating. VEVOR reserves a clear interpretation of our user manual. The appearance of the product shall be subject to the product you received. Please forgive us that we won't inform you again if there are any technology or software updates on our product.

SAFETY INSTRUCTIONS

WARNING:

Read this material before using this product. Failure to do so may result in serious injury.

Assembly precautions

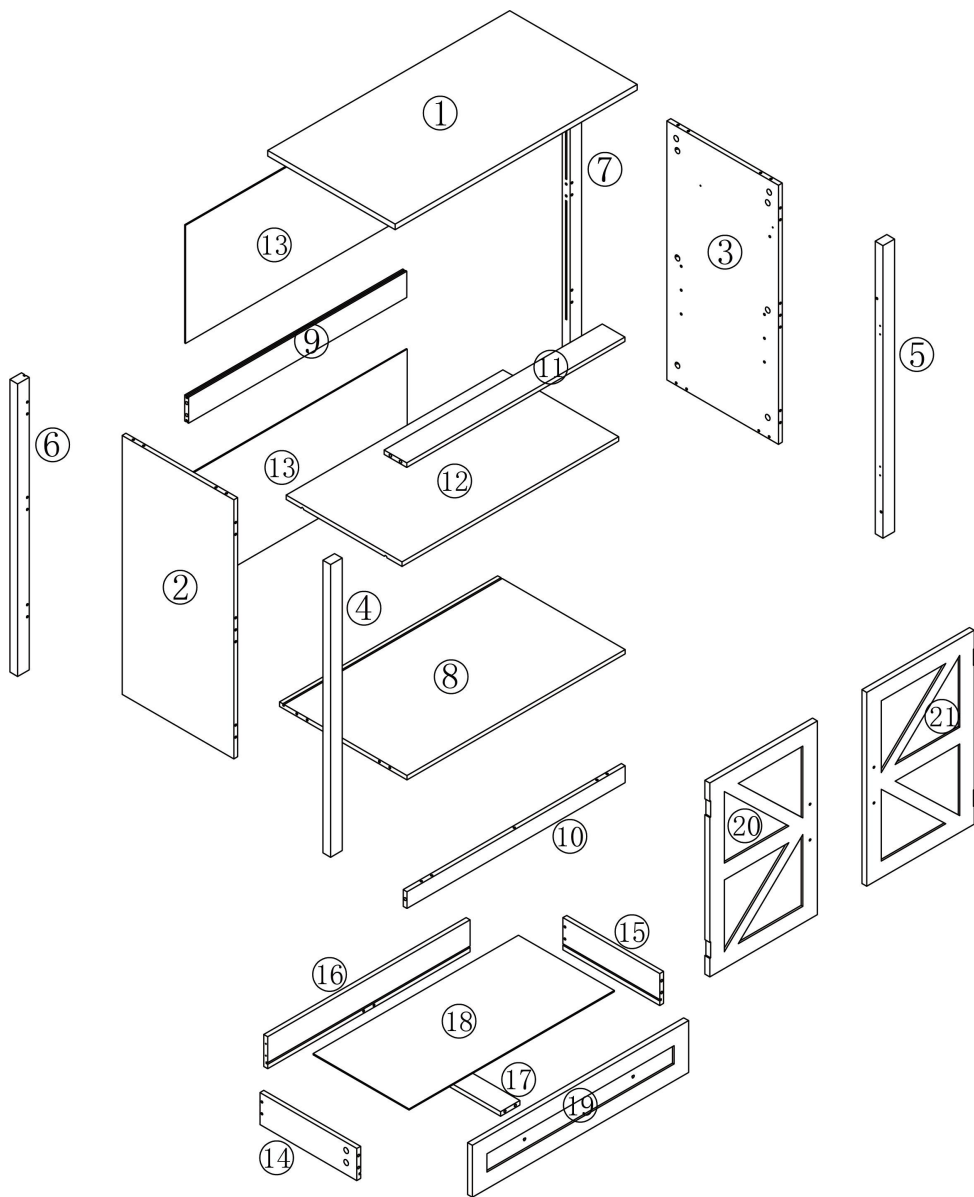
1. Assemble only according to these instructions. Improper assembly may create hazards.
2. Wear ANSI-approved safety goggles and heavy-duty work gloves during assembly.
3. Keep the assembly area clean and well-lit.
4. If there is/are defective and/or missing part/s after unpacking, please cease assembly immediately and get in contact with us.
5. Do not assemble if tired or when under the influence of alcohol, drugs or medication.
6. The product capabilities apply to properly and completely assembled products only.
7. Assemble on a flat, level, hard and smooth surface capable of safely supporting the Storage Cabinet.
8. If possible, you can use power tools to make assembly easier.
9. It is recommended that assembly is undertaken by at least 2 adults. Please read assembly instructions before assembly and strictly adhere to each step outlined.
10. Please note that some types of parts have a spare.
11. Use electric drill for punching holes in the wall. Carefully measure the distance between the two holes and keep them level.
12. For additional information regarding the parts listed in the following pages, please refer to the Assembly Diagram of this manual. Unwrap and separate all parts in a clean work area.


Use precautions


1. Do not exceed specified weight capacities.
Use only on a flat, level, hard, and smooth surface that can safely support a fully loaded Storage Cabinet.
2. Use as intended only.
3. Inspect before every use; do not use if parts are loose or damaged.
4. This product must be fixed to the wall tightly to avoid personal injury caused by falling/tilting.
5. Always securely fix the item to the wall for usage.
6. It is not intended for use by children under 5 years of age. Children must be under adult supervision to use the product.
7. It is forbidden for children to climb or play on the product to avoid serious body injury caused by the toppling.
8. During the assembly process, keep any small parts out of the reach of children. It may be fatal if swallowed or inhaled.
9. To avoid the potential dangers of suffocation, please keep all parts and packaging (films, plastic bags and foam, etc.) away from babies and children.


SAVE THIS MANUAL

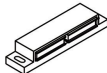
PARTS LIST





A	39+2pcs
	
$\phi 6*40\text{mm}$	


B	39+2pcs
	
$\phi 15*9.5\text{mm}$	


C	26+5pcs
	
$\phi 6*30\text{mm}$	


D	1pcs
	
$73*16*13\text{mm}$	


E	2pcs
	
$45*12*1.5\text{mm}$	


F	6+1pcs
	
$\text{ST}4.2*30\text{mm}$	


G	28+2pcs
	
$\text{ST}3.5*12\text{mm}$	


H	2pcs
	


I	2pcs
	


J	4+1pcs
	
$\text{M}4*15\text{mm}$	


K	2+1pcs
	
$\text{M}4*10\text{mm}$	

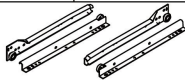
L	2+1pcs
	
$\text{ST}3.5*14\text{mm}$	


M	12pcs
	
$14*13.5*9\text{mm}$	


N	12pcs
	
$\text{ST}2.9*16\text{mm}$	

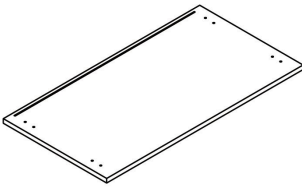
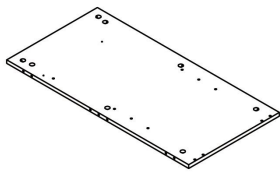
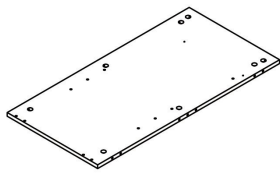
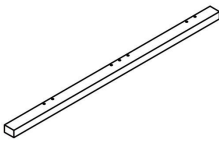
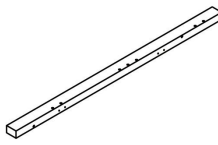
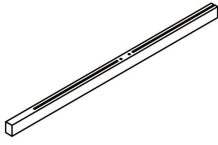
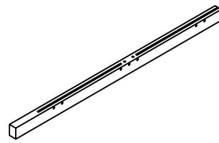
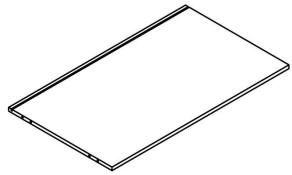
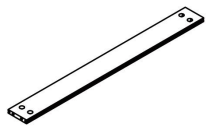
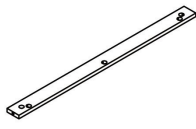
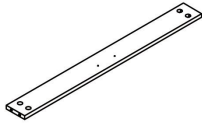
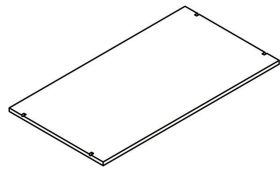
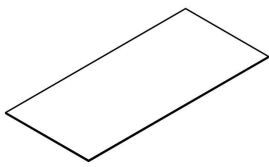
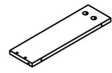
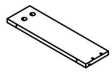
O	4pcs
	

P	4+1pcs
	
$\phi 5*15\text{mm}$	

Q	1pcs
	
300mm	

R	1pcs
	

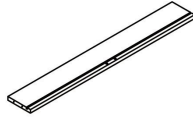
S	2pcs
	

<p>① x1pcs</p> 	<p>② x1pcs</p> 	<p>③ x1pcs</p> 
<p>④ x1pcs</p> 	<p>⑤ x1pcs</p> 	<p>⑥ x1pcs</p> 
<p>⑦ x1pcs</p> 	<p>⑧ x1pcs</p> 	<p>⑨ x1pcs</p> 
<p>⑩ x1pcs</p> 	<p>⑪ x1pcs</p> 	<p>⑫ x1pcs</p> 
<p>⑬ x2pcs</p> 	<p>⑭ x1pcs</p> 	<p>⑮ x1pcs</p> 

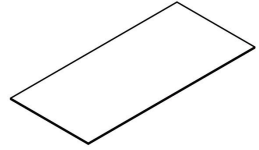
①⑥ x1pcs



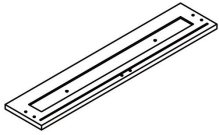
①⑦ x1pcs



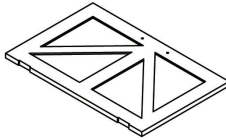
①⑧ x1pcs



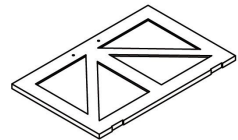
①⑨ x1pcs



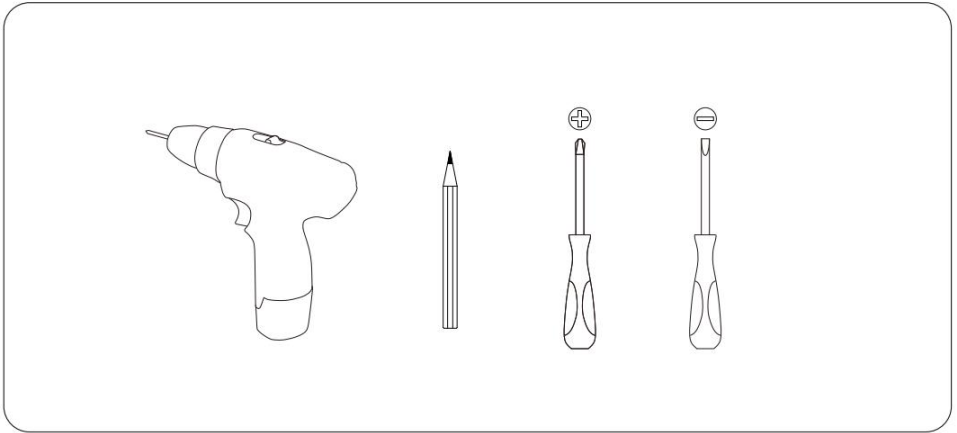
②⑩ x1pcs



②① x1pcs

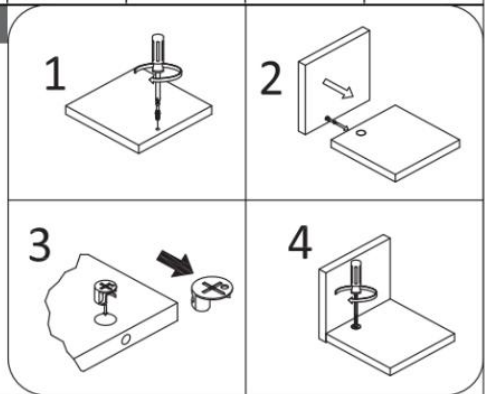
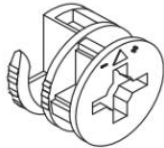


REQUIRED TOOLS AND INSTRUCTIONS



Cam Lock Fastening System

This Cam Lock Fastening System will be used throughout the assembly process

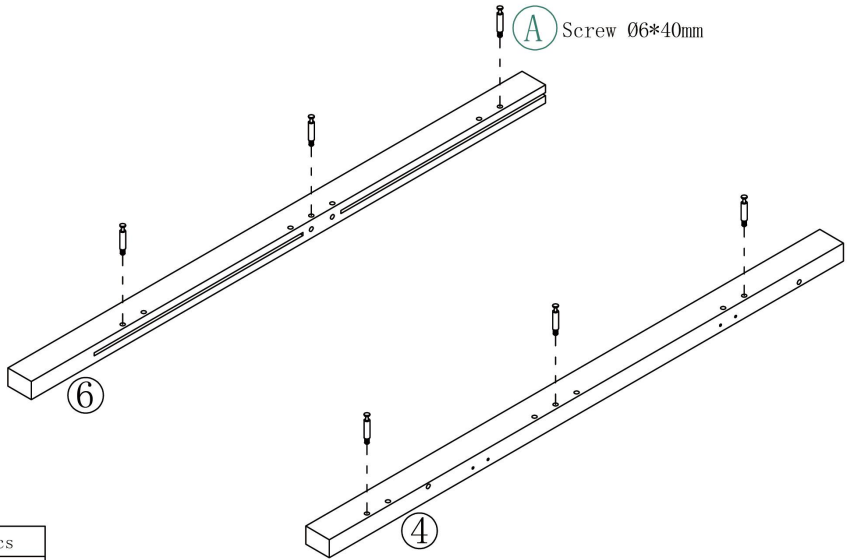


TIPS:

If there is any damage after unpacking or you have any questions during assembly, please feel free to contact us at your earliest convenience. Our customer care team provides professional returns or exchanges as well as assembly guidance.

ASSEMBLY STEP

1

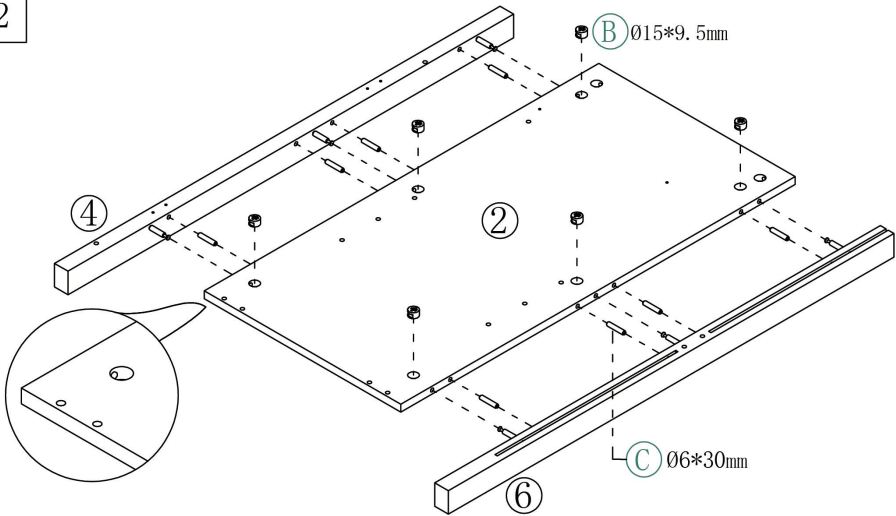


A Screw $\varnothing 6 \times 40 \text{mm}$

A 6pcs



2



B $\varnothing 15 \times 9.5 \text{mm}$

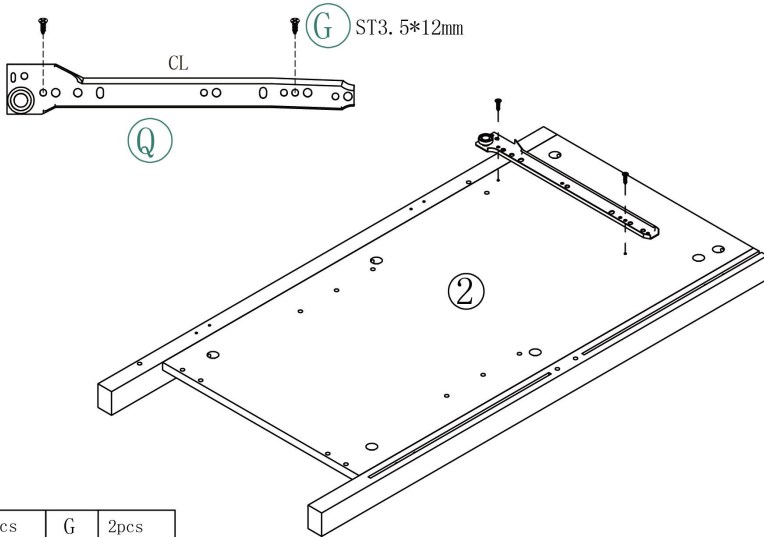
C $\varnothing 6 \times 30 \text{mm}$



B 6pcs

C 8pcs

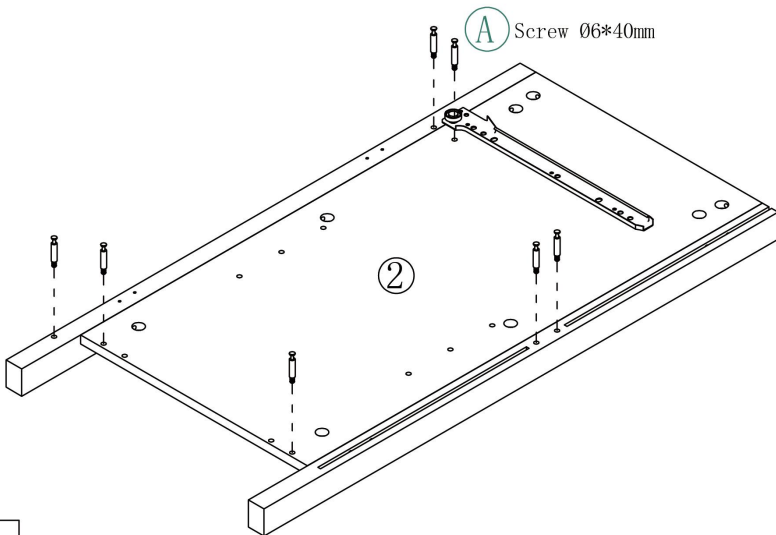



3



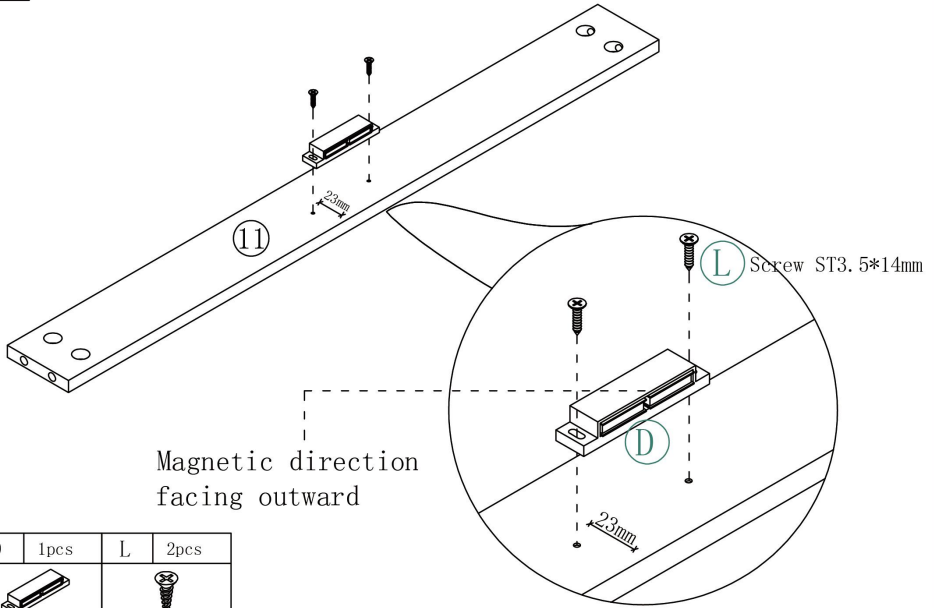
Q	1pcs	G	2pcs
	300mm		ST3.5*12mm



4



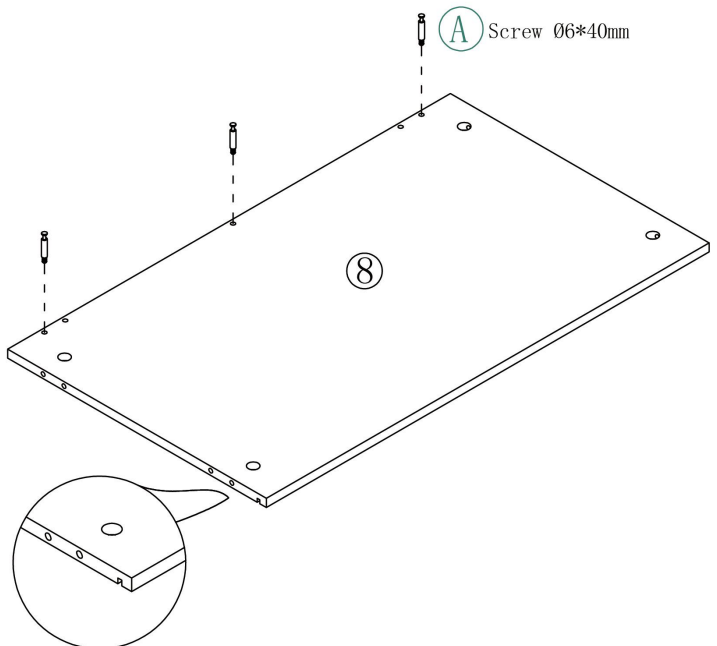
A	7pcs
	Ø6*40mm


5



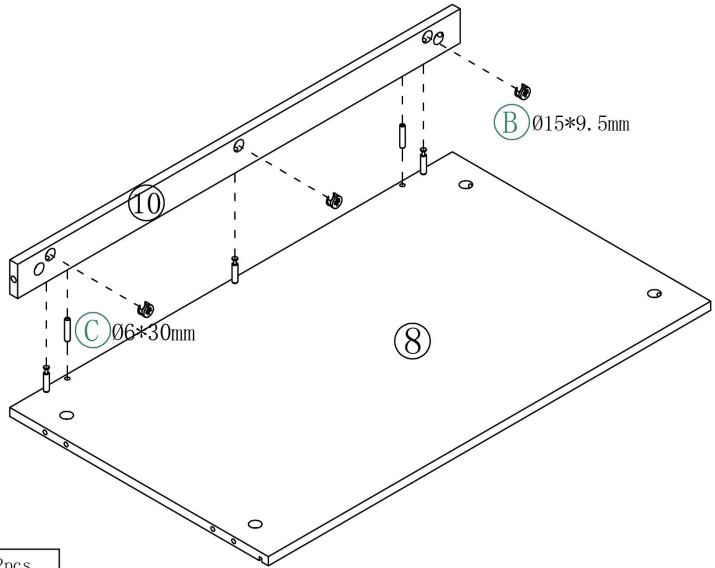
D	1pcs	L	2pcs
			
73*16*13mm		ST3.5*14mm	



6



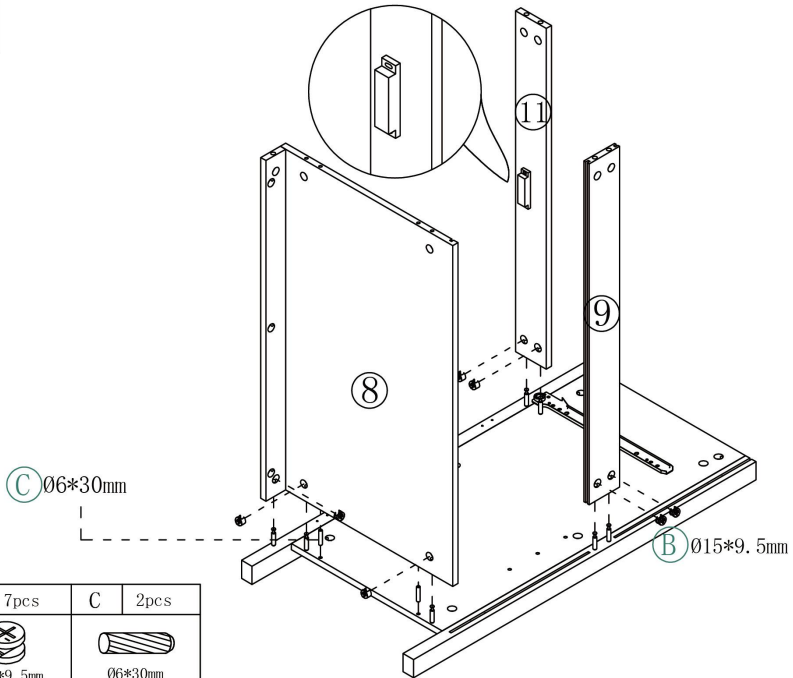
A	3pcs
	
$\text{\O}6*40\text{mm}$	



7



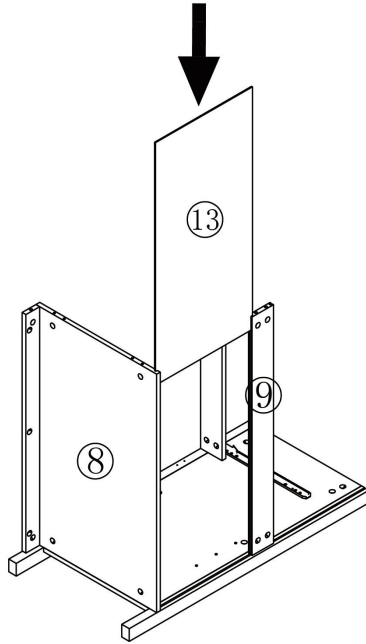
B	3pcs	C	2pcs
			
Ø15*9.5mm		Ø6*30mm	

8



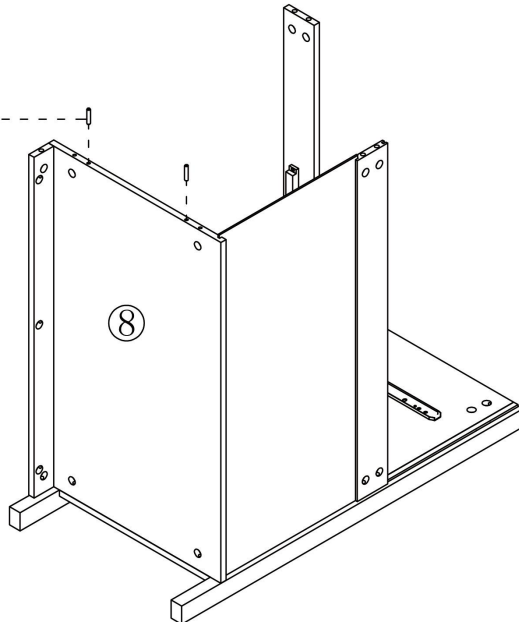
B	7pcs	C	2pcs
			
Ø15*9.5mm		Ø6*30mm	

9



10

C Ø6*30mm

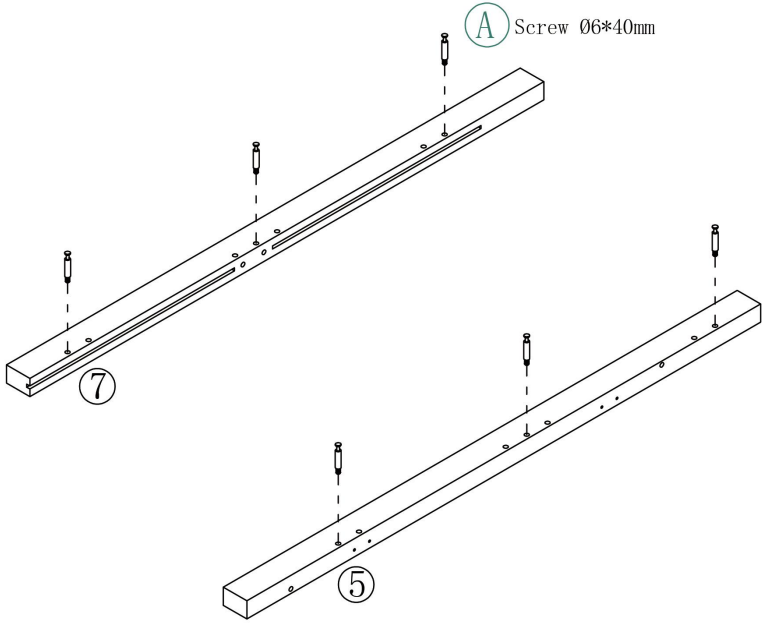


C 2pcs



Ø6*30mm

11

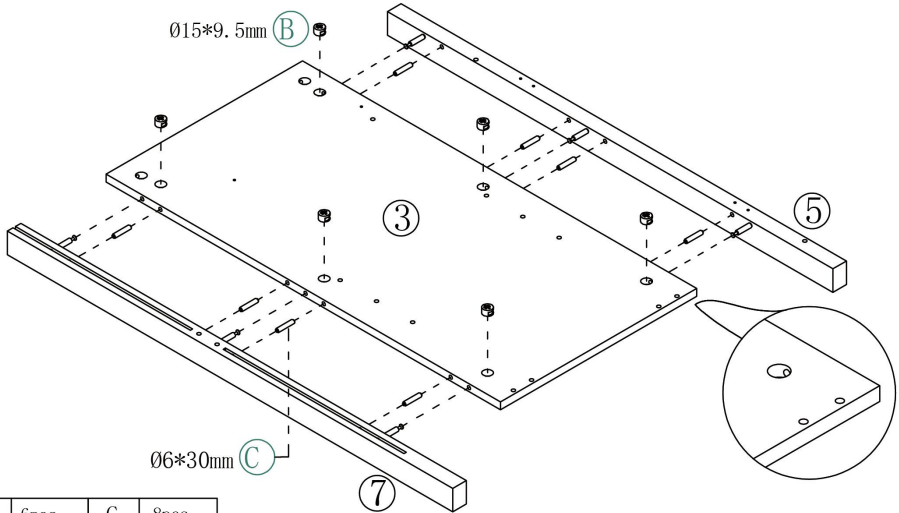


(A) Screw $\varnothing 6*40\text{mm}$

A 6pcs



12



$\varnothing 15*9.5\text{mm}$ (B)

$\varnothing 6*30\text{mm}$ (C)

B 6pcs

C 8pcs

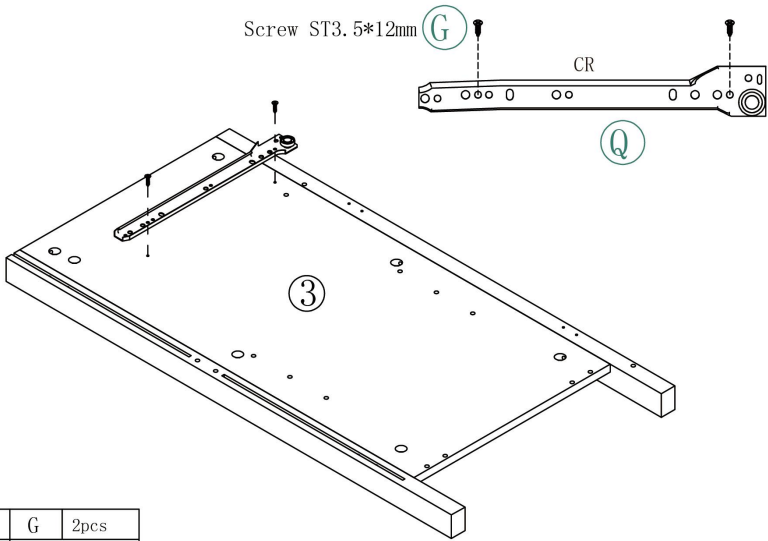




$\varnothing 15*9.5\text{mm}$



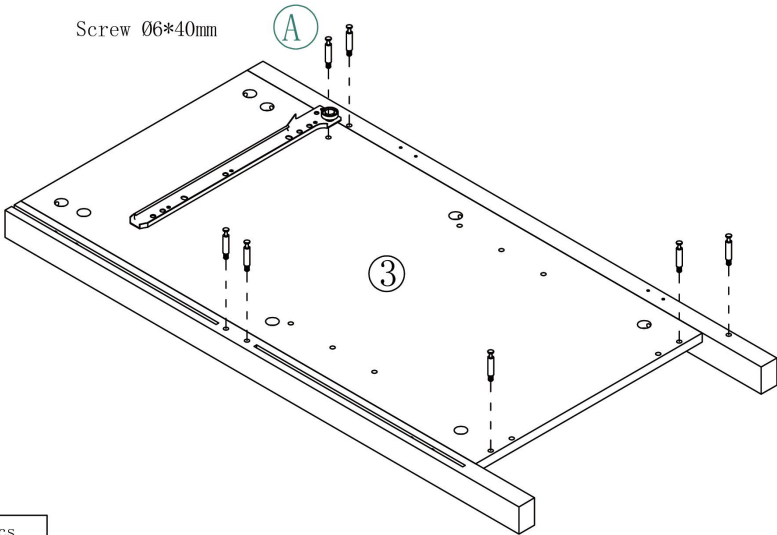
$\varnothing 6*30\text{mm}$


13

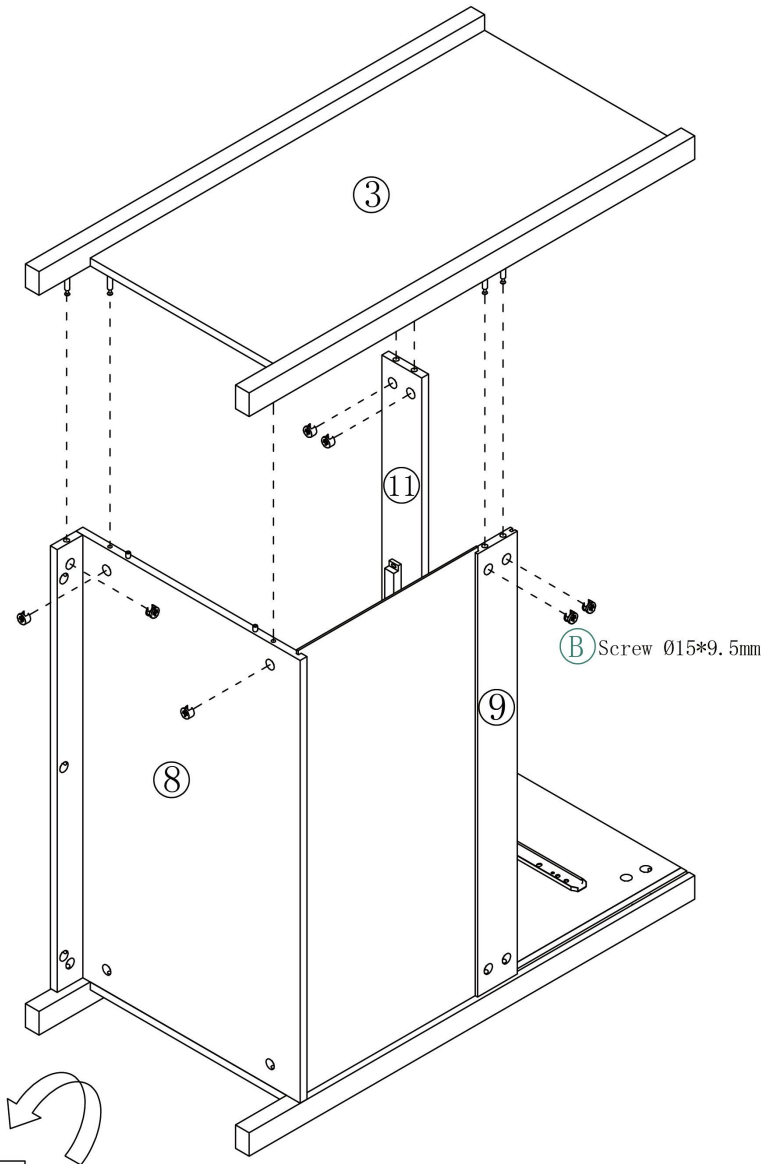


Q	1pcs	G	2pcs
	300mm		ST3.5*12mm

14



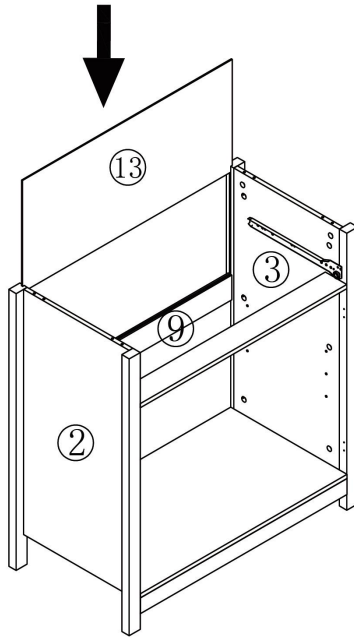
A	7pcs
	Ø6*40mm



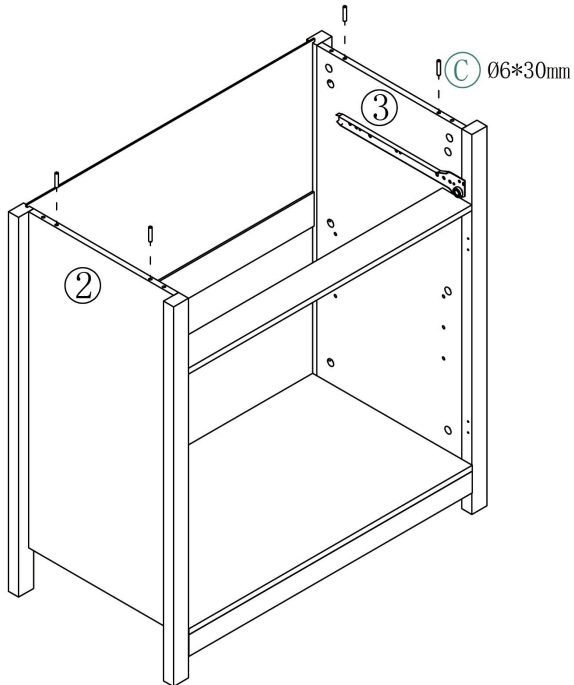
B 7pcs

 $\varnothing 15*9.5\text{mm}$

16



17

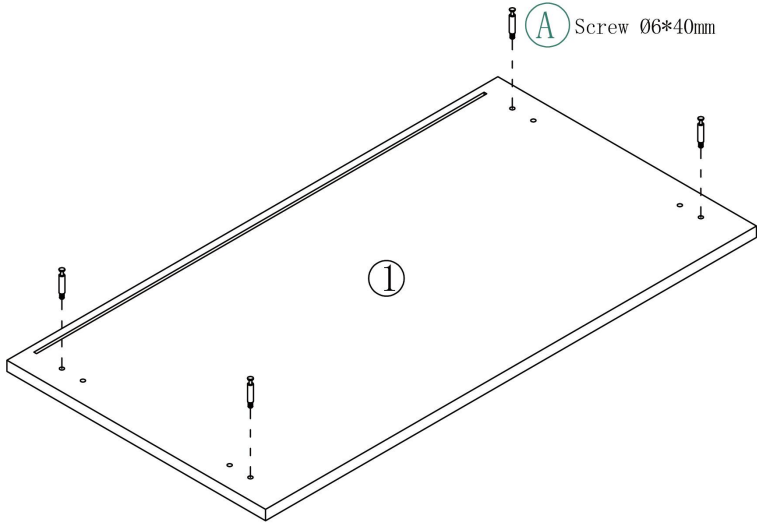


C 4pcs



Ø6*30mm

18

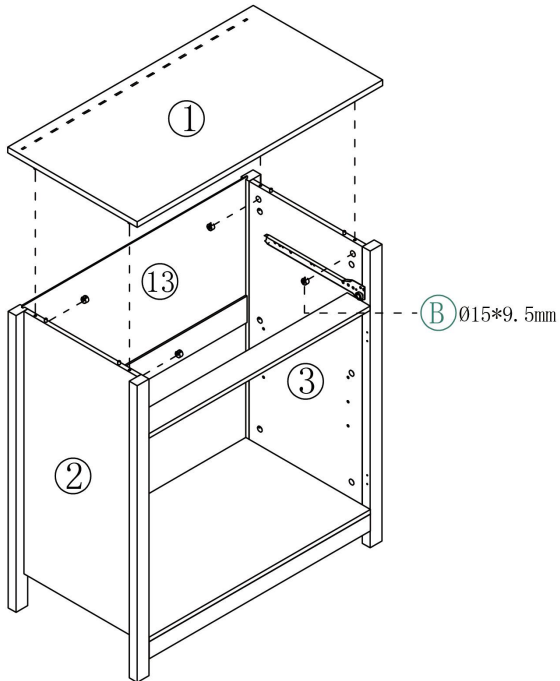


A 4pcs



Ø6*40mm

19

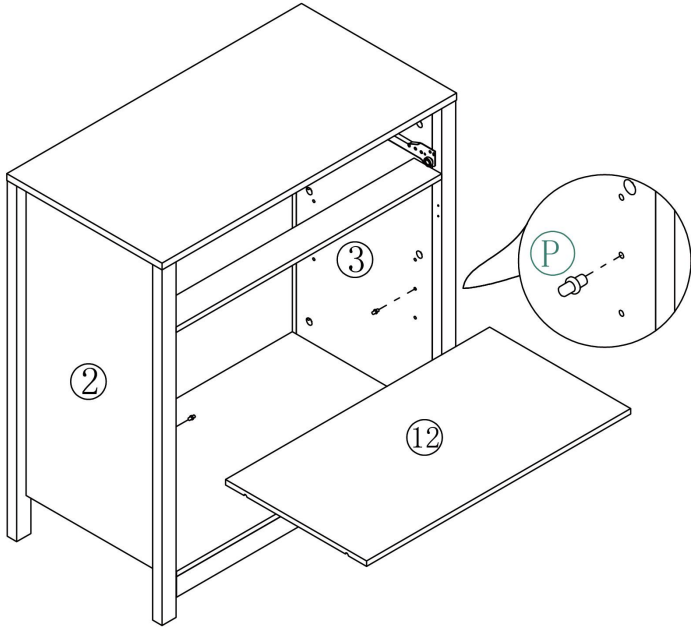


B 4pcs



Ø15*9.5mm

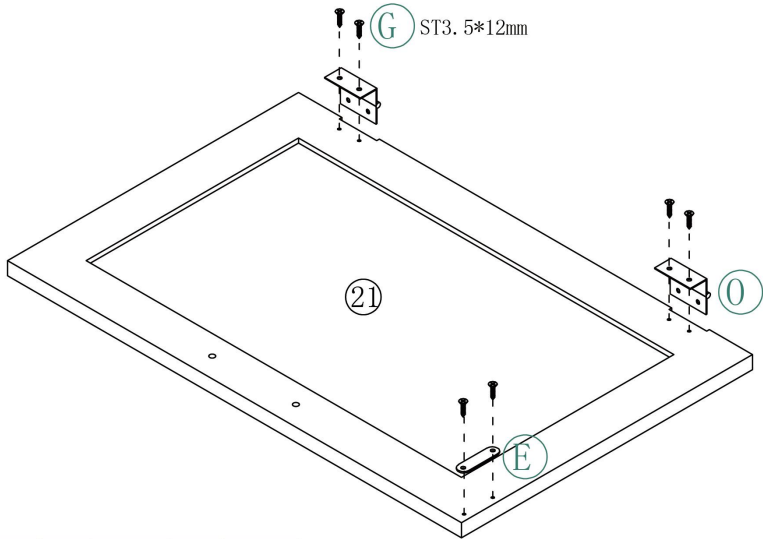
20



P 4pcs



21



0 2pcs

E 1pcs

G 6pcs

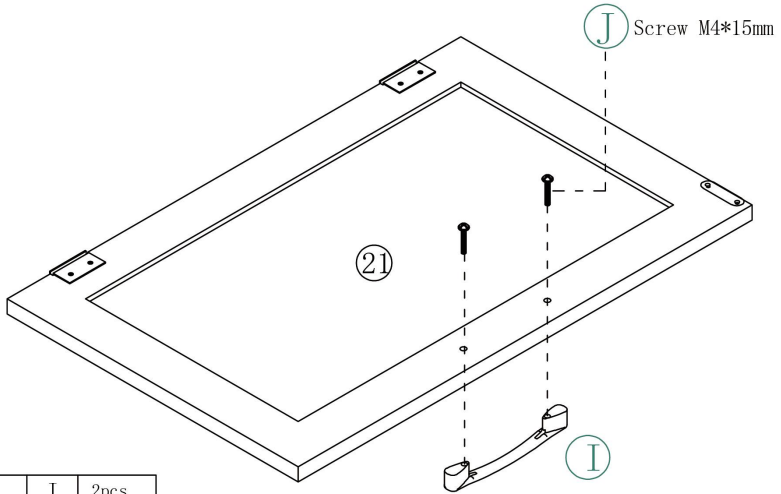




45*12*1.5mm



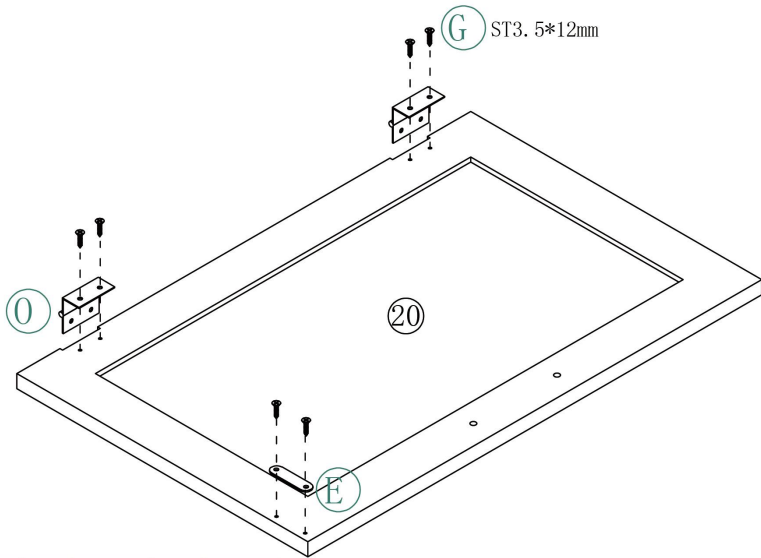
ST3, 5*12mm

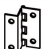


22



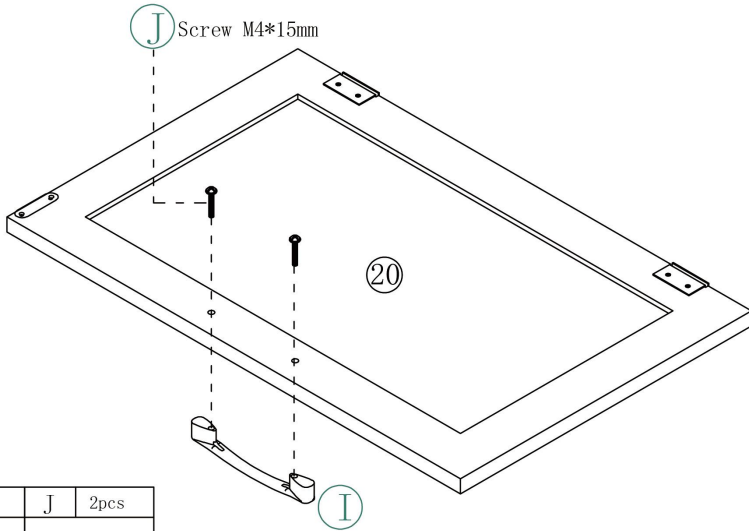
I	1pcs	J	2pcs
			M4*15mm

23



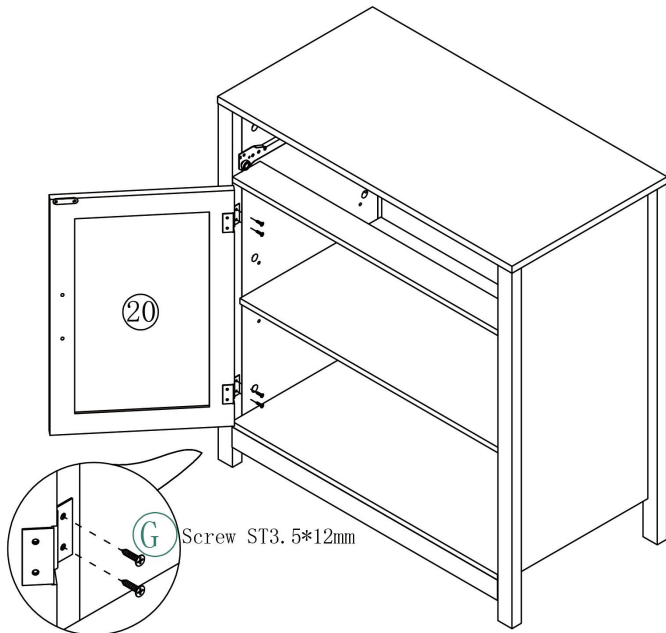
O	2pcs	E	1pcs	G	6pcs
			45*12*1.5mm		ST3. 5*12mm

24



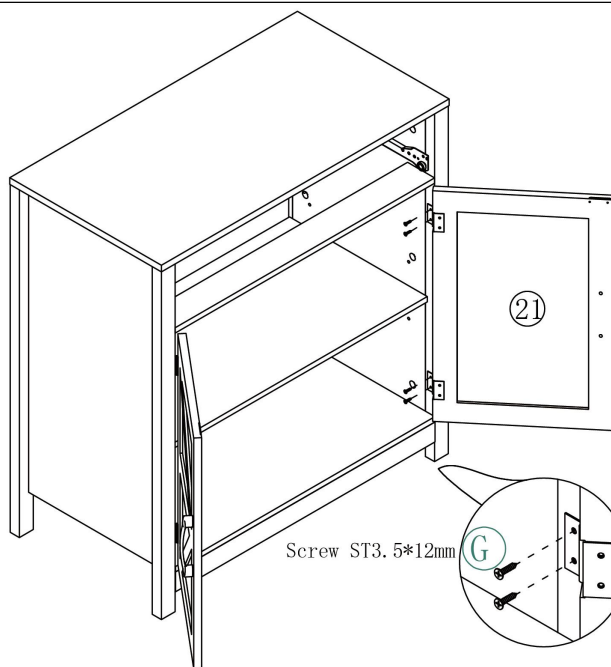
I	1pcs	J	2pcs
			M4*15mm

25



G	4pcs
ST3.5*12mm	

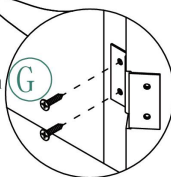
26



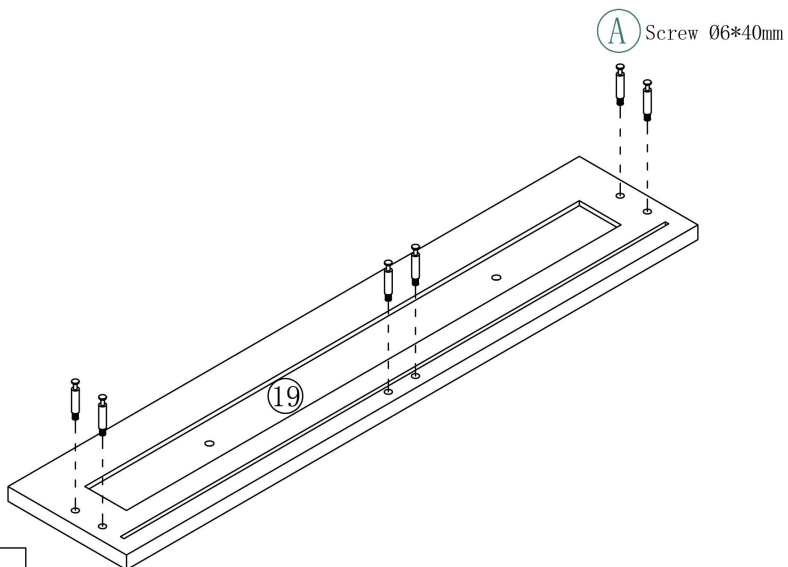
G 4pcs



Screw ST3.5*12mm



27

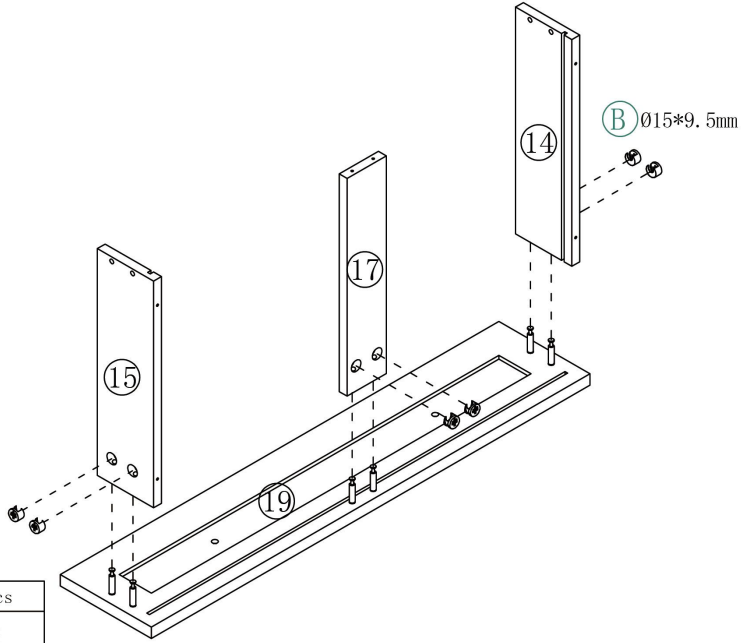


A 6pcs



A Screw Ø6*40mm

28

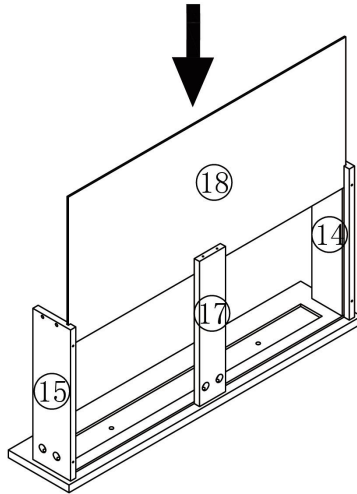


B 6pcs

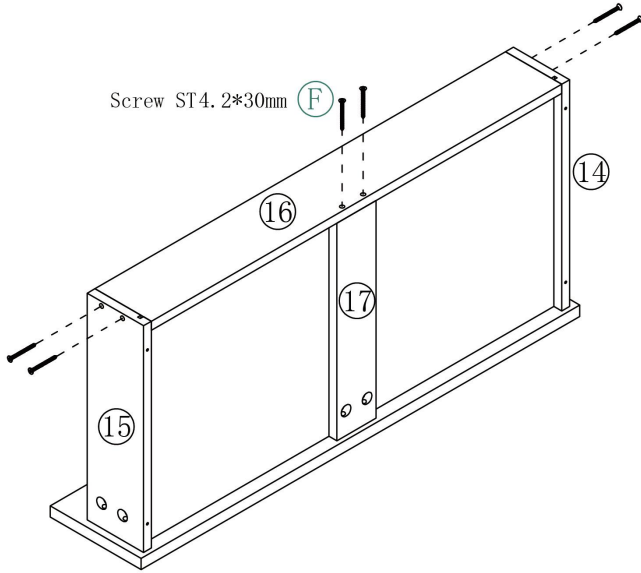


$\text{Ø}15 \times 9.5 \text{mm}$

29



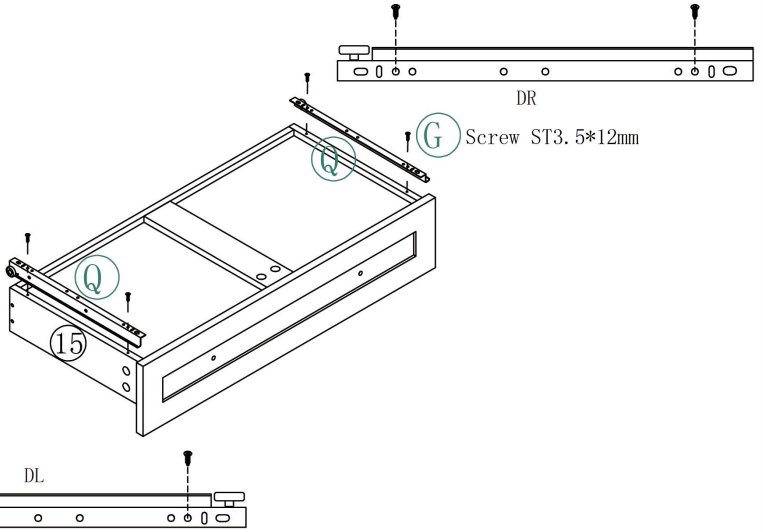
30



Screw ST4. 2*30mm (F)

F	6pcs
ST4. 2*30mm	

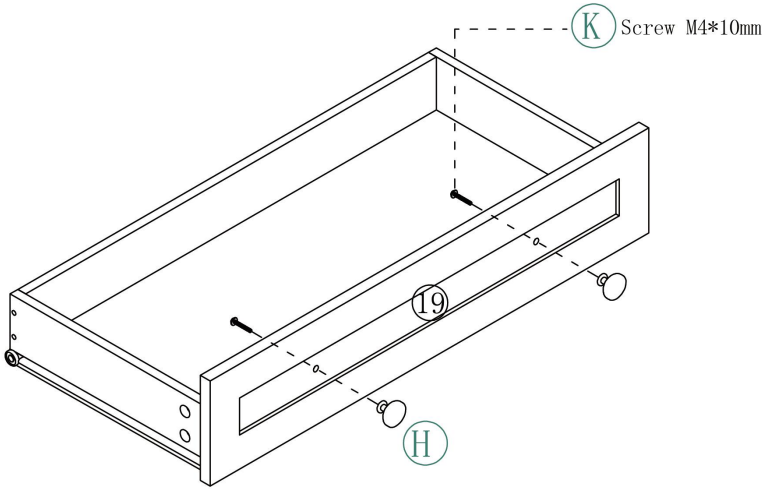
31





Screw ST3. 5*12mm (G)

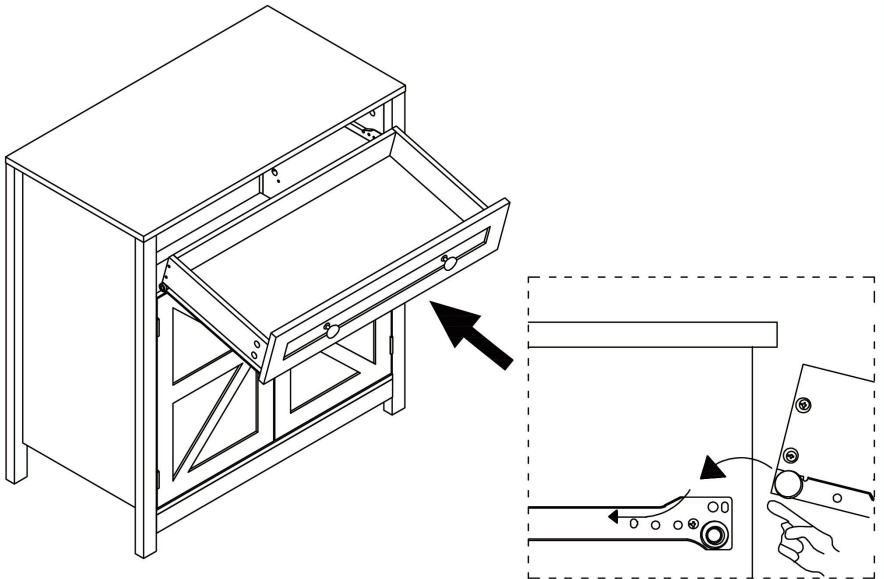
Q	1pcs	G	4pcs
300mm		ST3. 5*12mm	

32

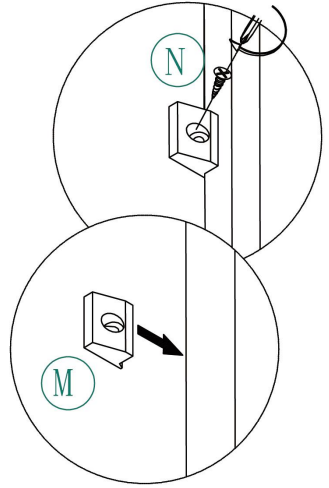
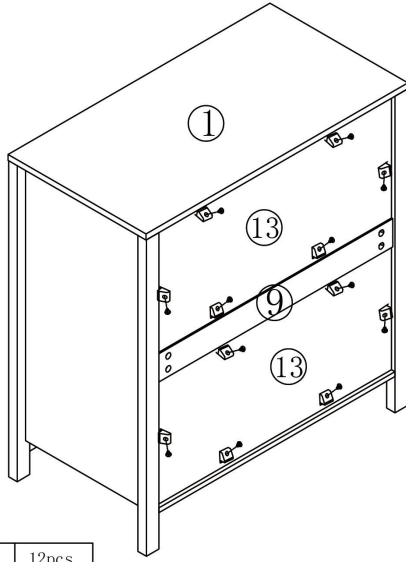



H	2pcs	K	2pcs
			M4*10mm


33



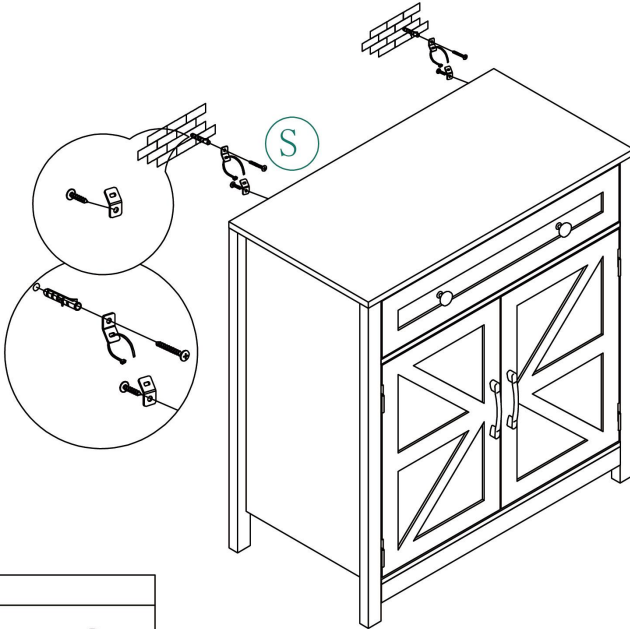
34




M	12pcs
	
14*13.5*9mm	

N	12pcs
	
ST2. 9*16mm	

35



S	2pcs
	

PRODUCT PARAMETER

Model	ZH620	ZH621
Main Color	White +Brown	Grey
Product Size(D*W*H)	750*375*800mm	750*375*800mm
Net Weight	About 21.8kg	About 21.8kg

* Products such as specifications, appearance, and design are subject to modification without prior notice.

Manufacturer: Shanghaimuxinmuyeyouxiangongsi

Address: Shuangchenglu 803nong11hao1602A-1609shi haoshanpu shanghai 200000 CN.

Imported to AUS: SIHAO PTY LTD. 1 ROKEVA STREET NSW 2122 Australia

Imported to USA: Sanven Technology Ltd. Suite 250, 91 Place, Rancho Cucamonga, CA 91730



E-CrossStu GmbH
Mainzer Landstr.69, 60329 Frankfurt am Main.



YH CONSULTING LIMITED.
C/O YH Consulting Limited Office 147, Centurion House, London Road, Staines-upon-Thames, Surrey, TW18 4AX

