

# Owner's Manual

## Bar Cabinet

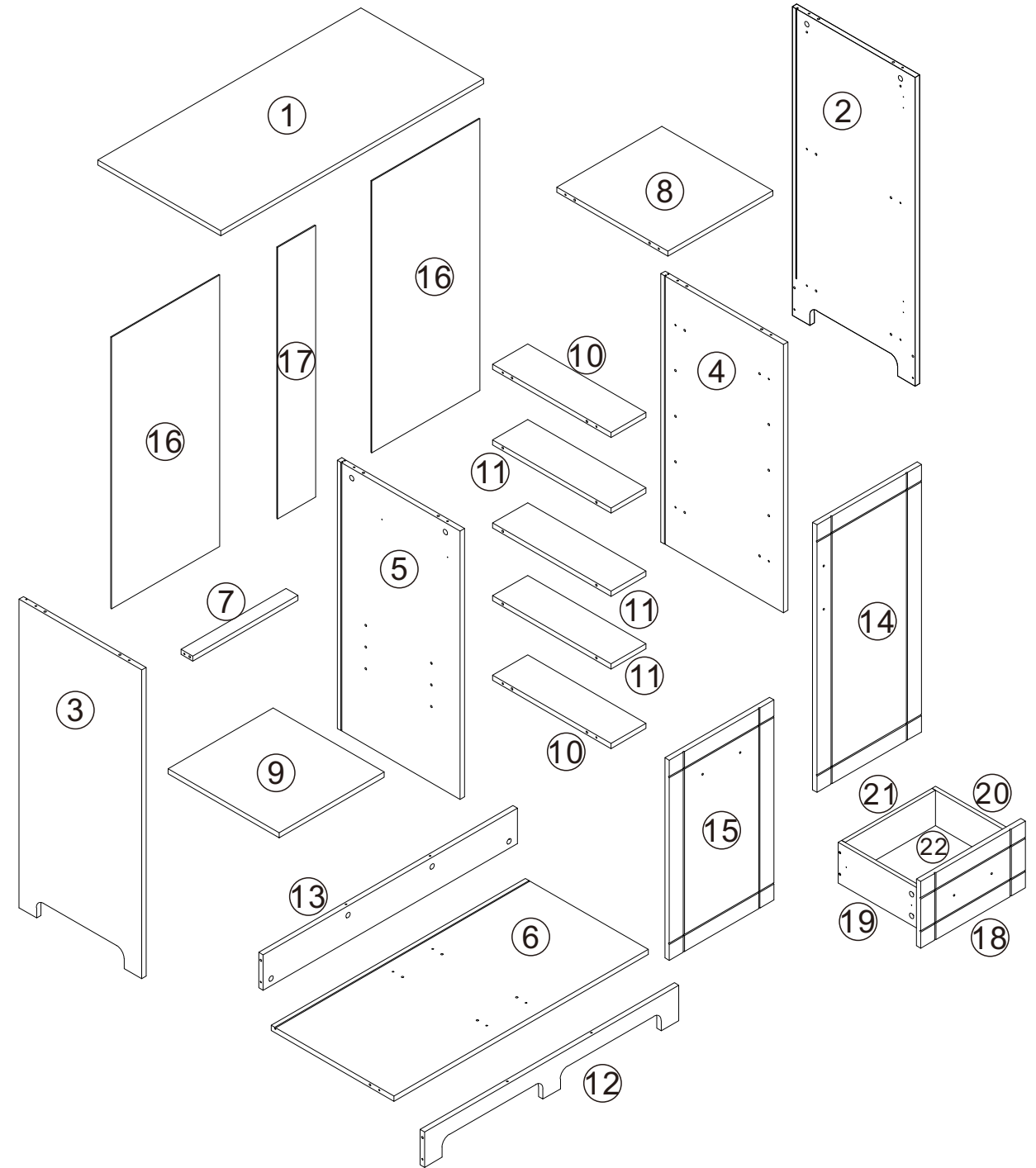
**NOTICE:**

If your package is missing parts or you are having issues with assembly, please call us directly. Our customer service team will address any questions or concerns you may have. Have this manual open and ready for reference.

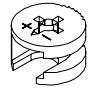
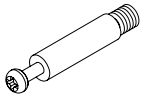
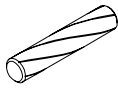
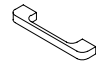
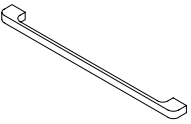
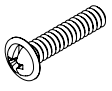
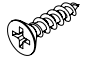
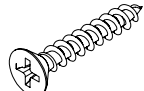
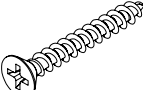
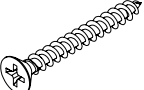
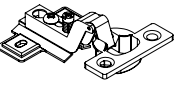

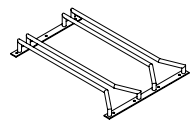
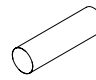
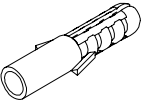


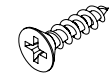
## TABLE OF CONTENTS

OUR BRAND .....	02
INSTRUCTIONS MANUAL .....	03
MAINTENANCE .....	22
WARRANTY .....	23

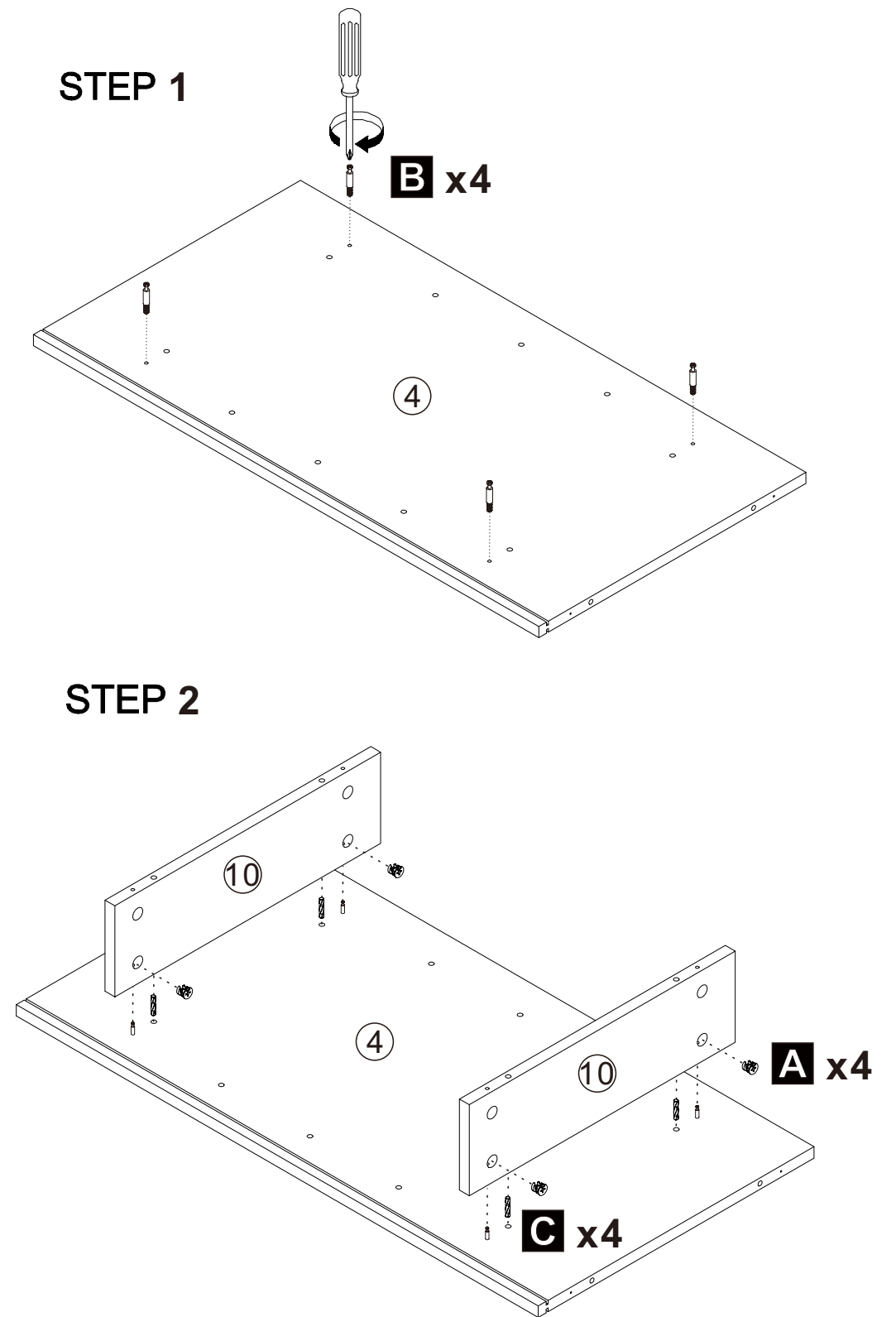
## INSTRUCTIONS MANUAL



INSTRUCTIONS MANUAL

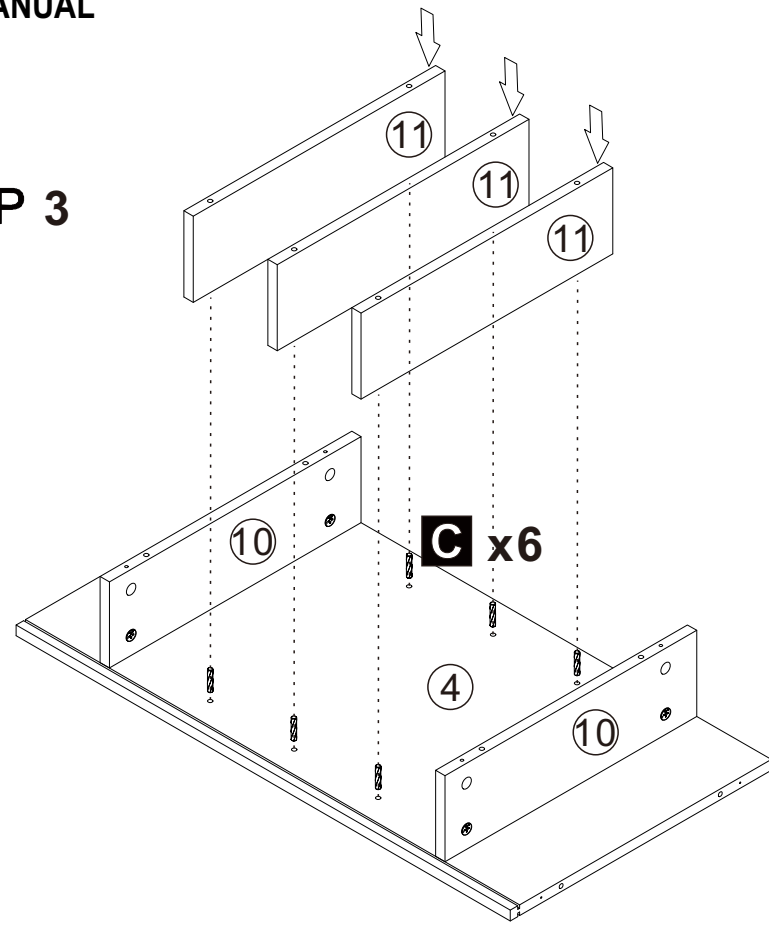
<b>Ax38</b> 	<b>Bx38</b> 
<b>Cx46</b> 	<b>Dx3</b> 
<b>Ex1</b> 	<b>Fx8</b> 
<b>Gx15</b>  <b>3x12mm</b>	<b>Hx4</b>  <b>4x30mm</b>
<b>I x4</b>  <b>4x35mm</b>	<b>Jx2</b>  <b>4x30mm</b>
<b>Kx8</b> 	<b>Lx2</b> 
<b>Mx1</b> 	<b>Nx4</b> 
<b>Ox2</b> 	<b>Px4</b> 
<b>Qx2</b> 	<b>Rx18</b>  <b>4x14mm</b>

INSTRUCTIONS MANUAL

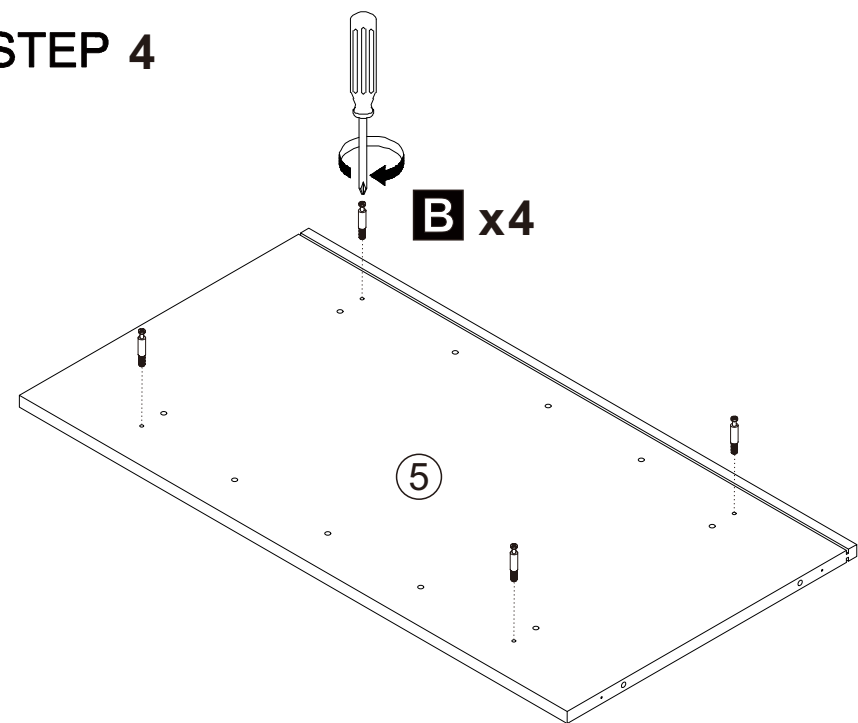


INSTRUCTIONS MANUAL

STEP 3

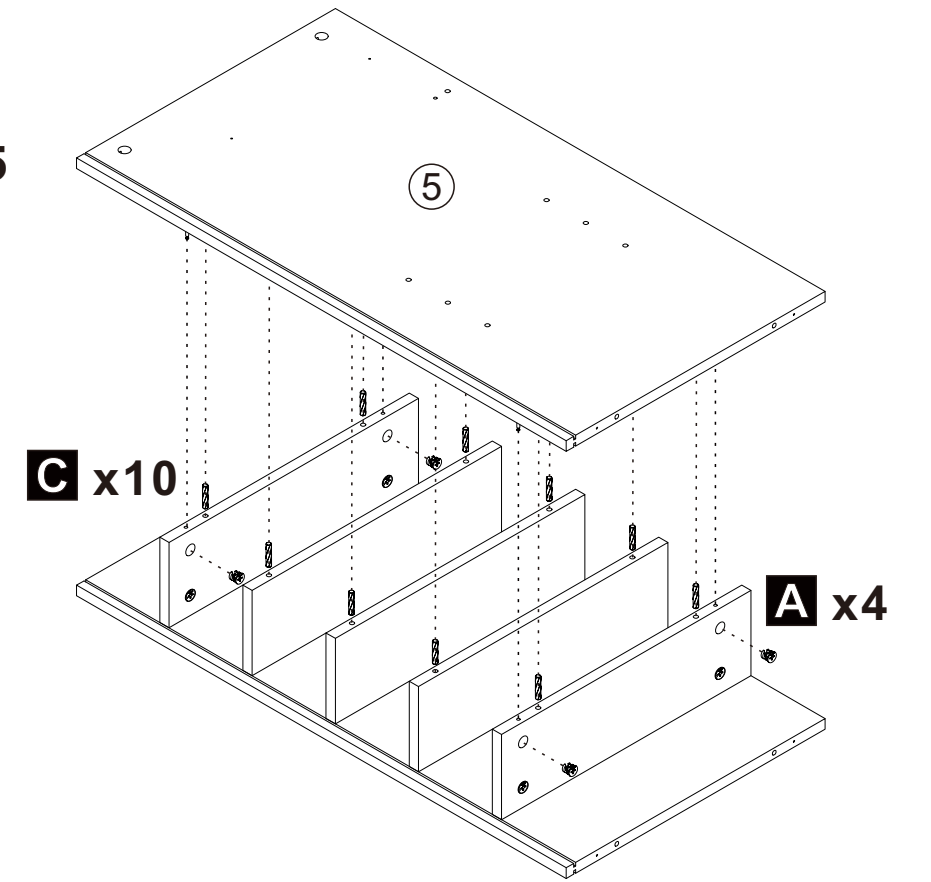


STEP 4

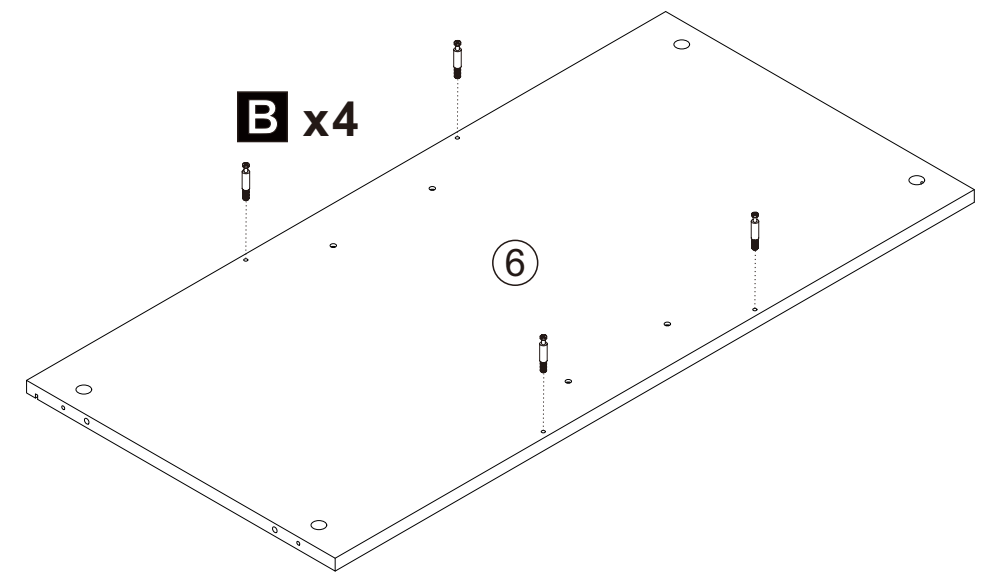


INSTRUCTIONS MANUAL

STEP 5

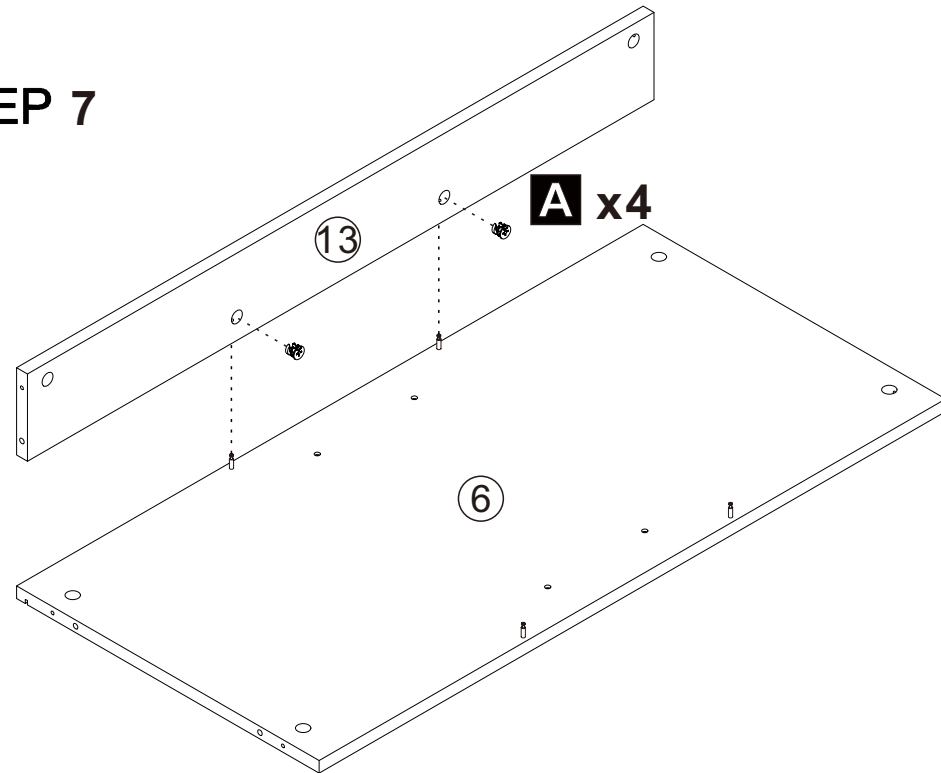


STEP 6

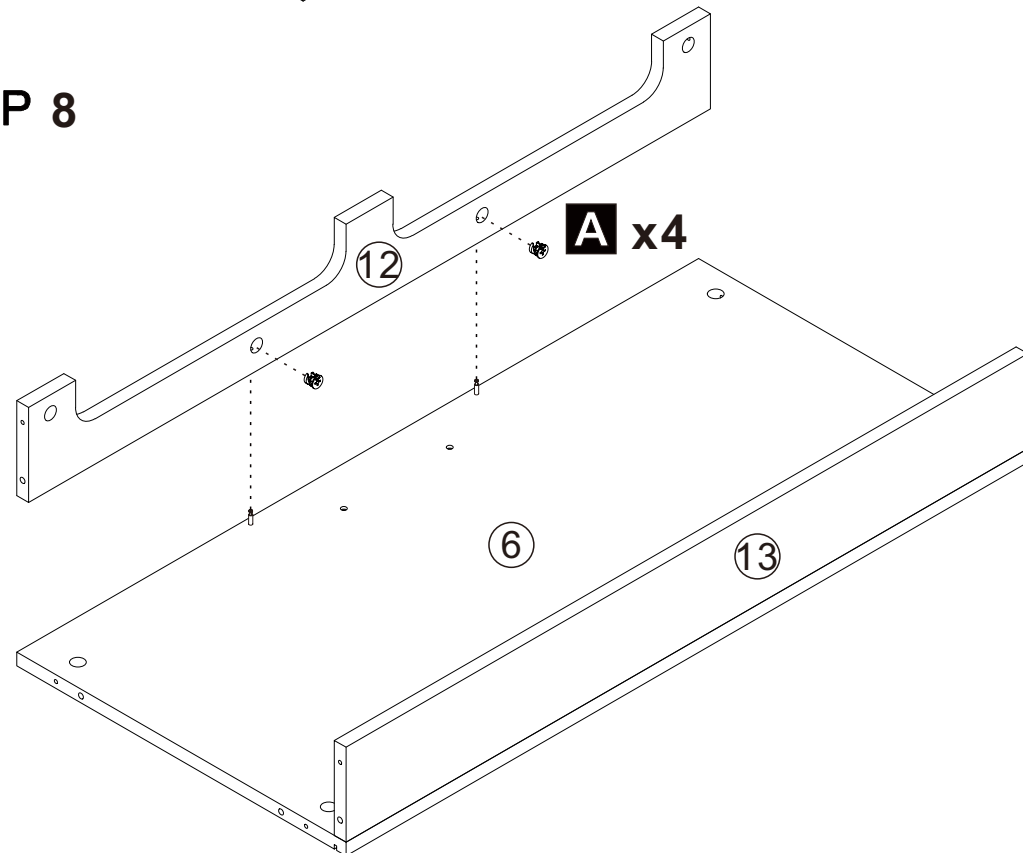


INSTRUCTIONS MANUAL

STEP 7

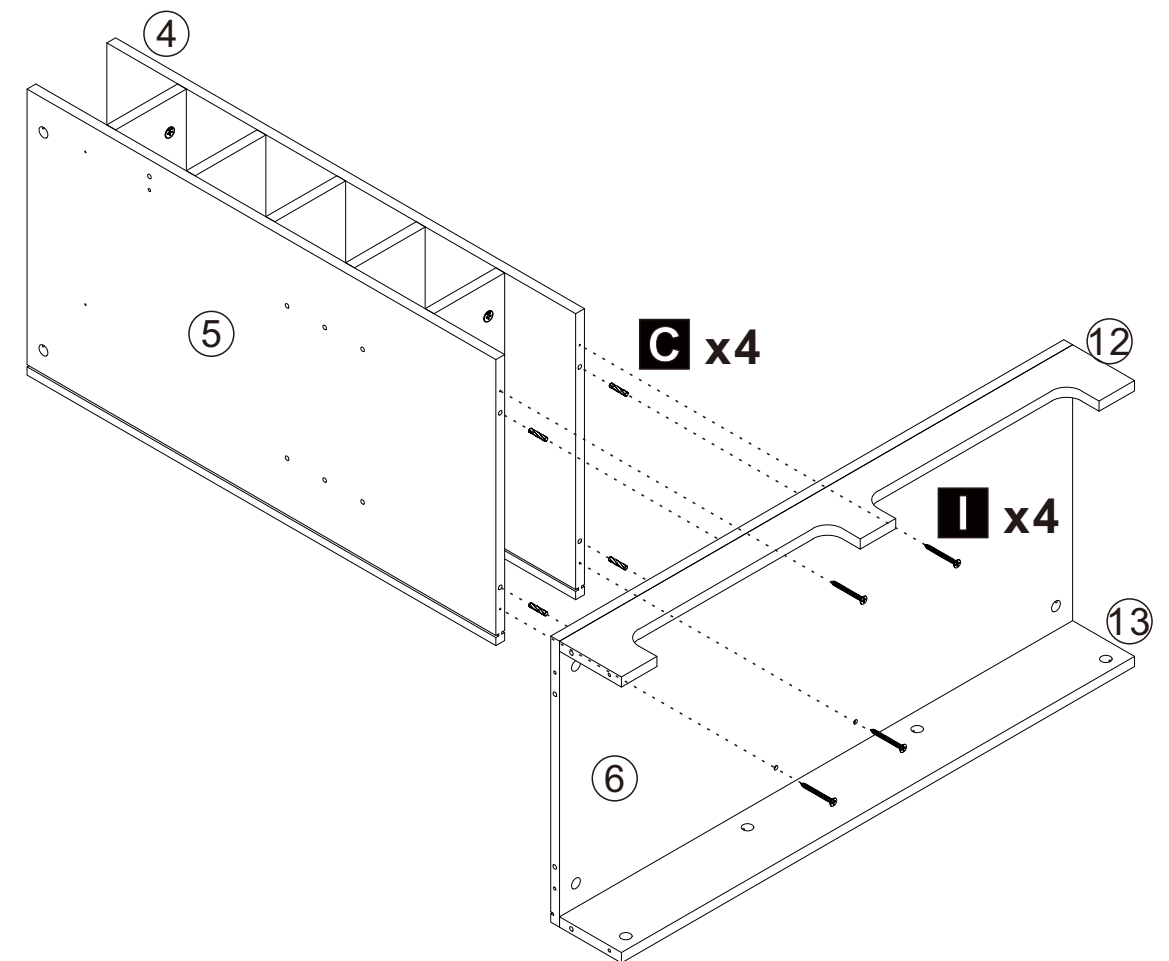


STEP 8

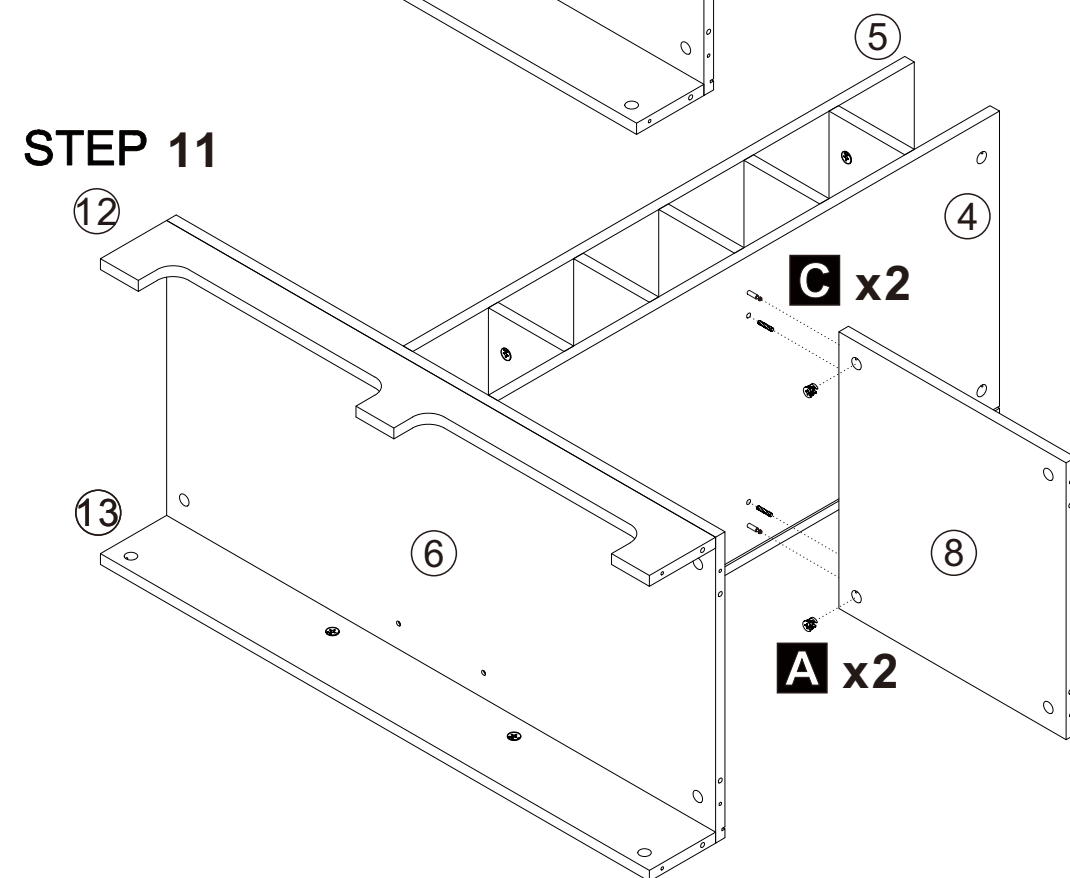
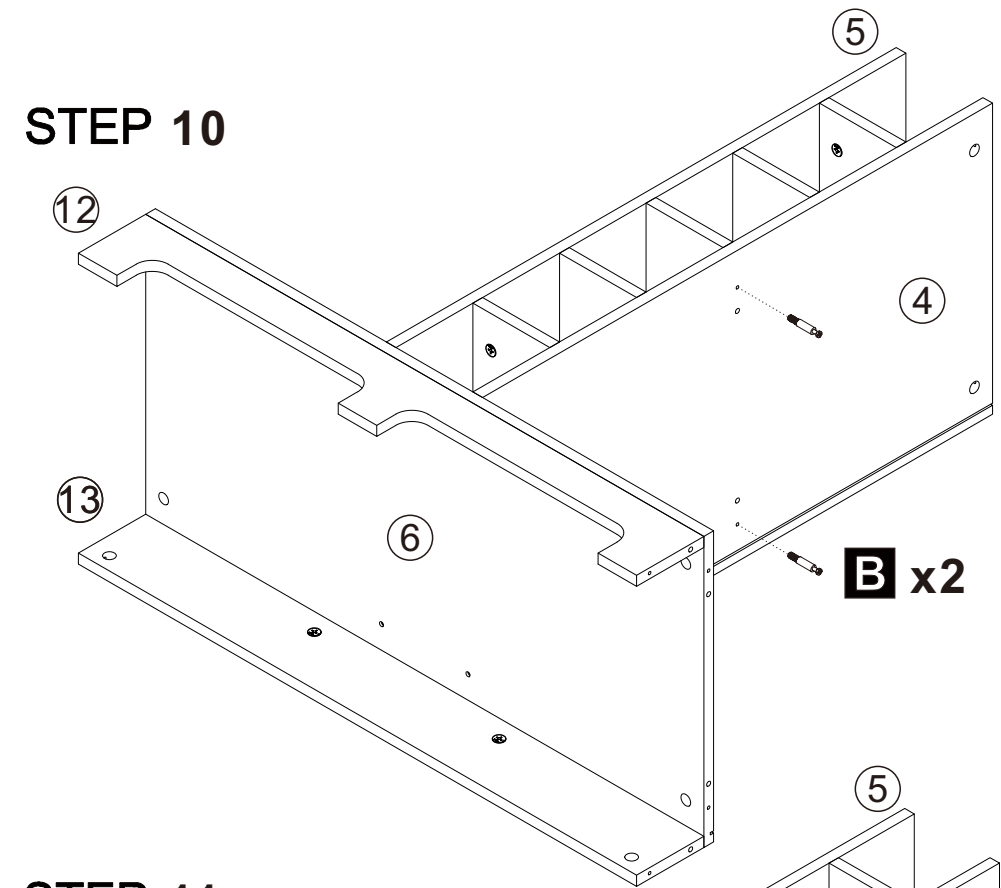


INSTRUCTIONS MANUAL

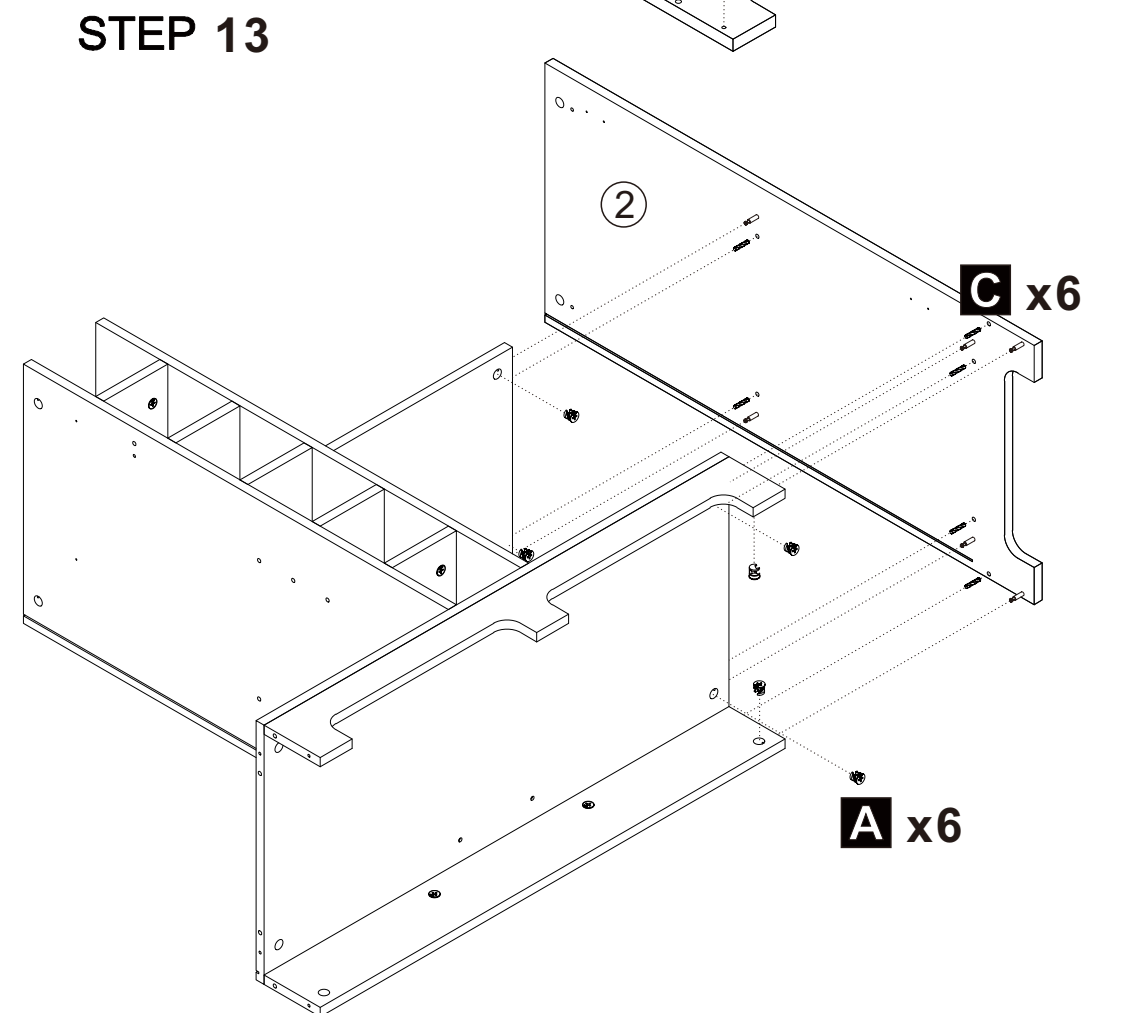
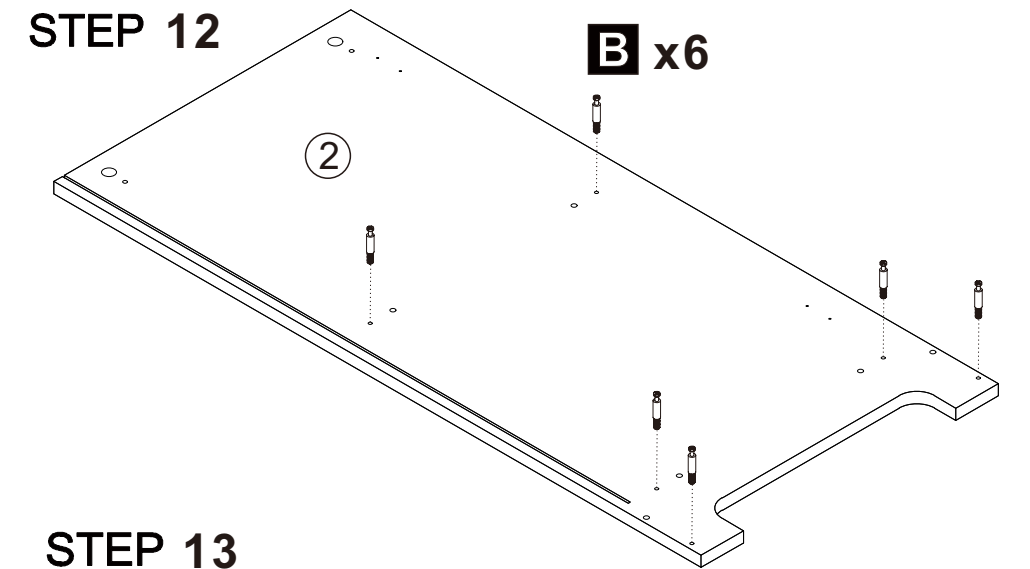
STEP 9



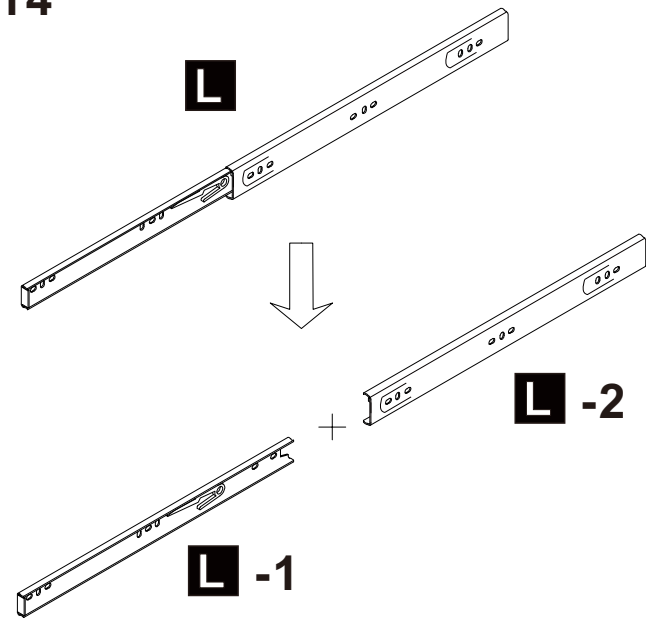
INSTRUCTIONS MANUAL



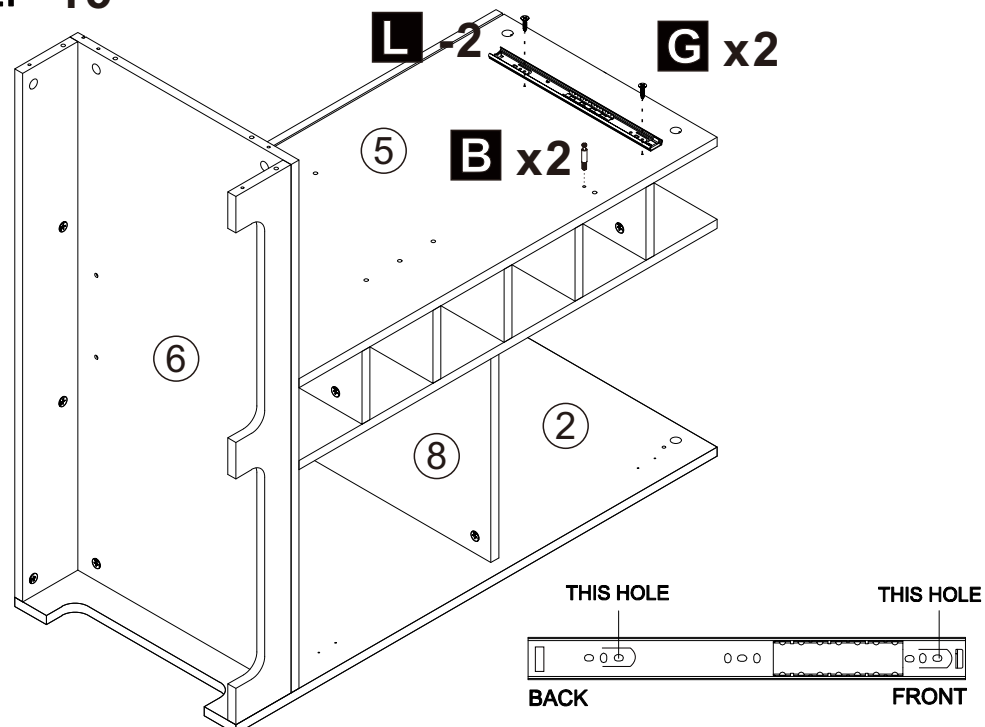
INSTRUCTIONS MANUAL



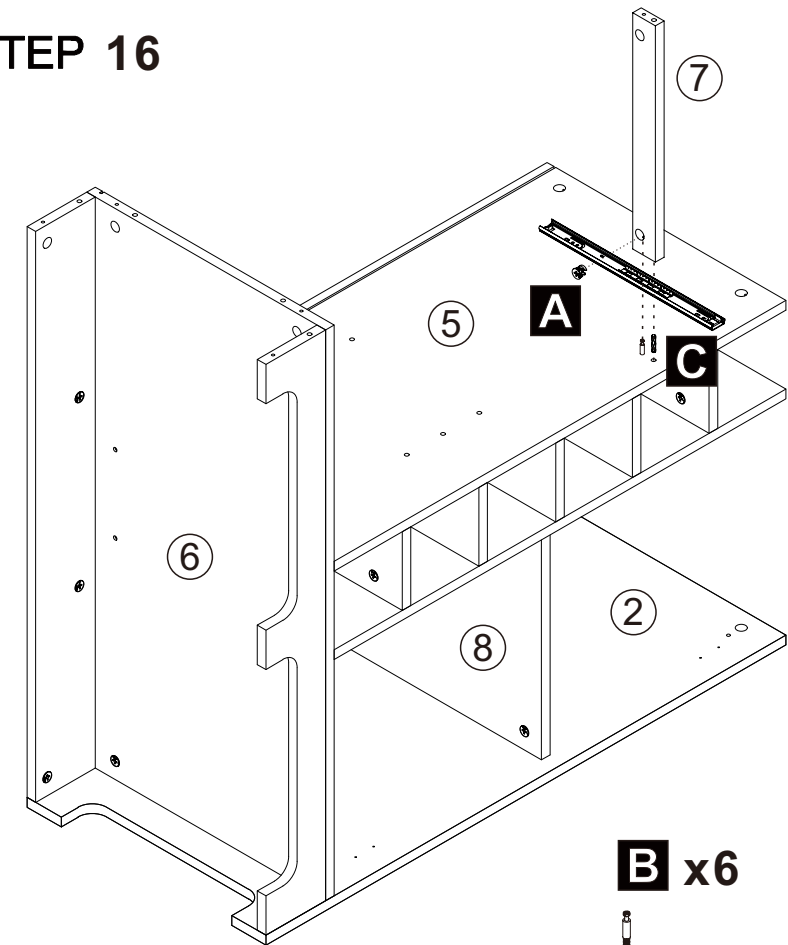
STEP 14



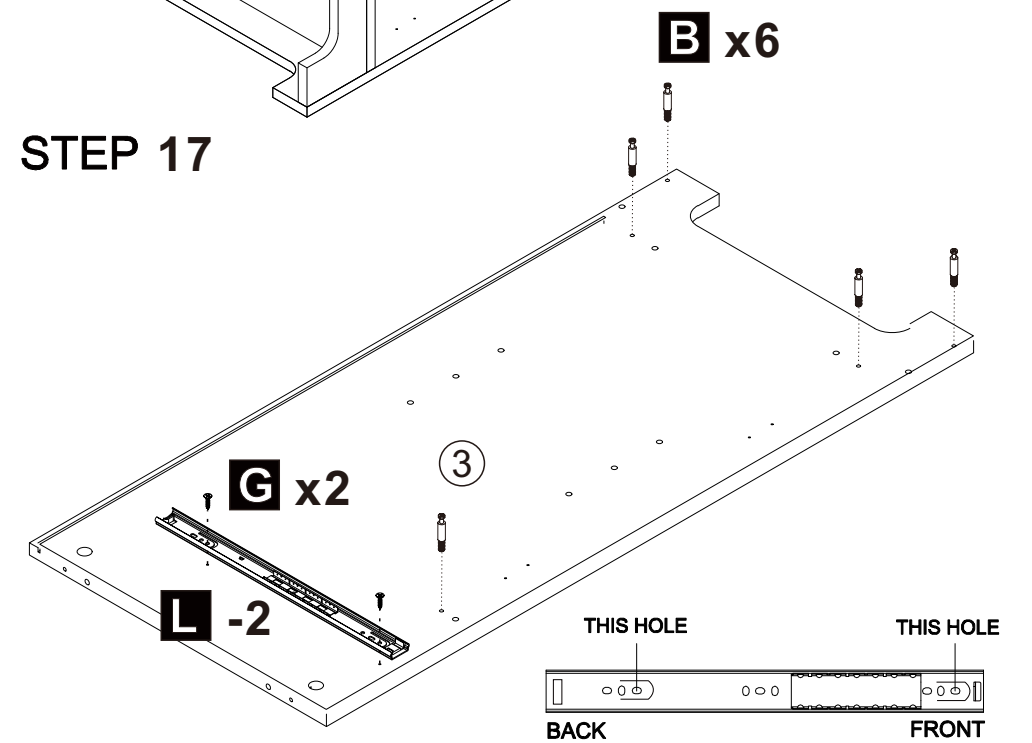
STEP 15



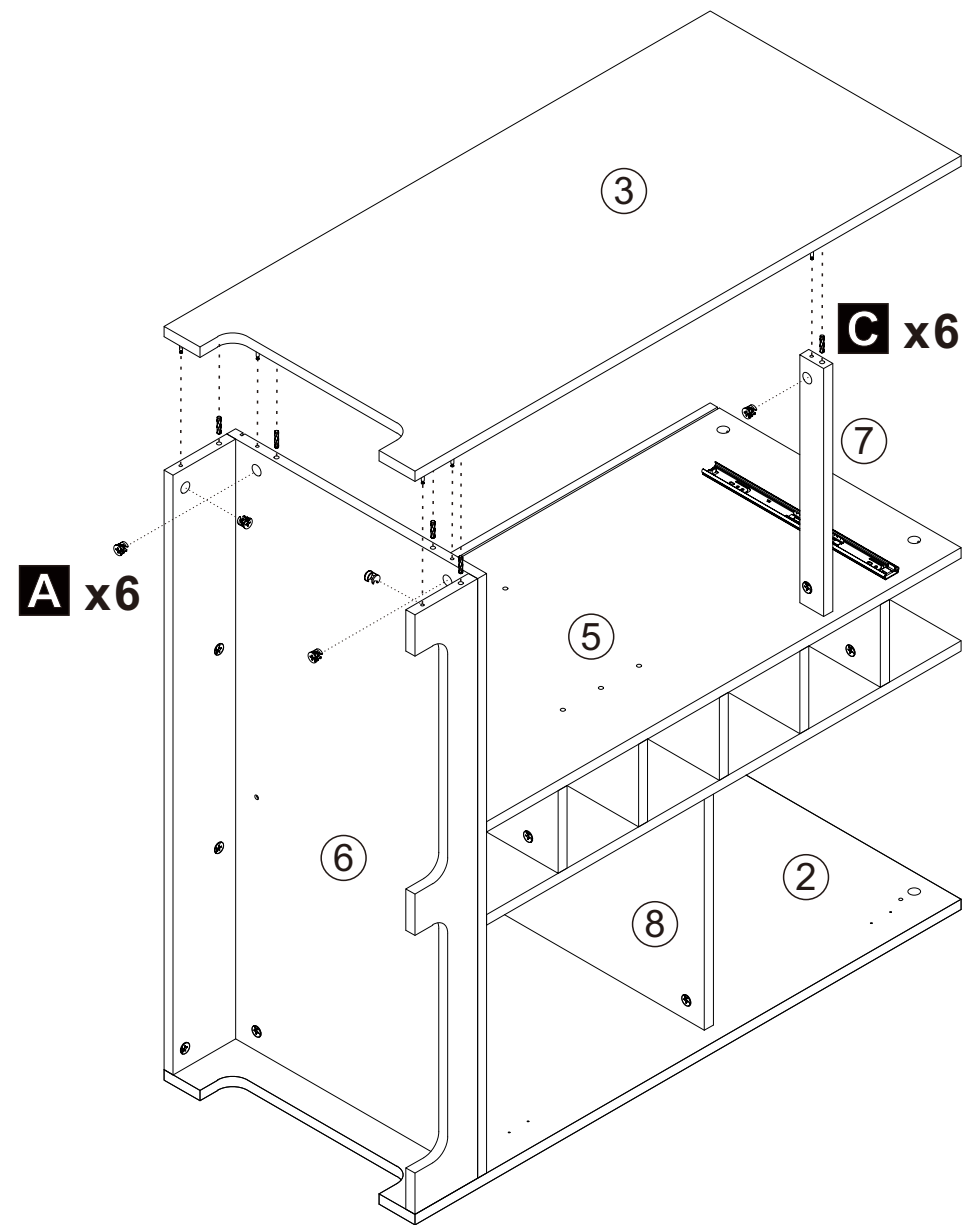
STEP 16



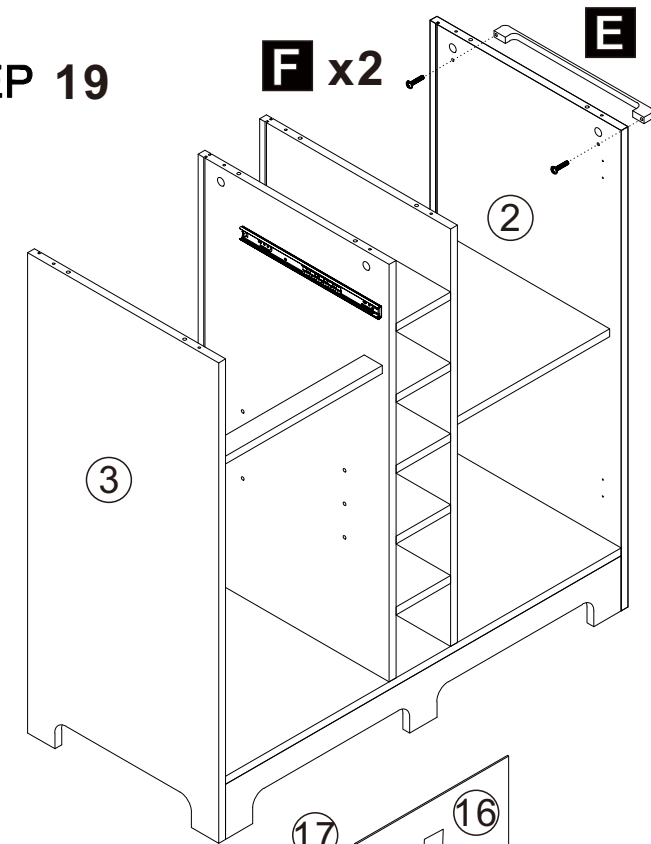
STEP 17



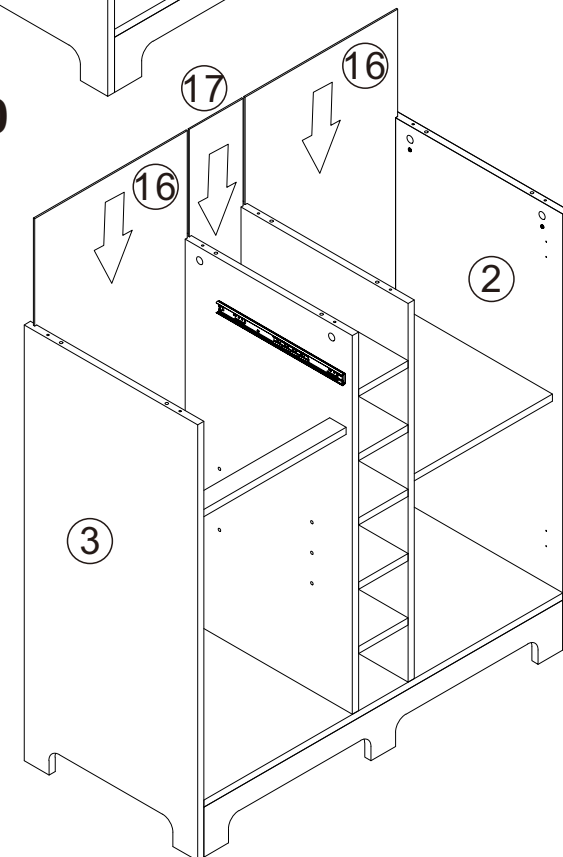
STEP 18



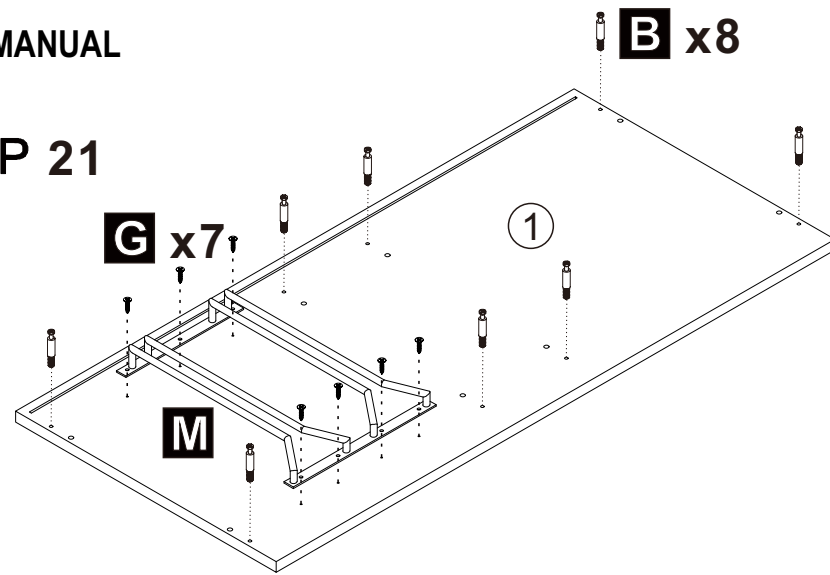
STEP 19



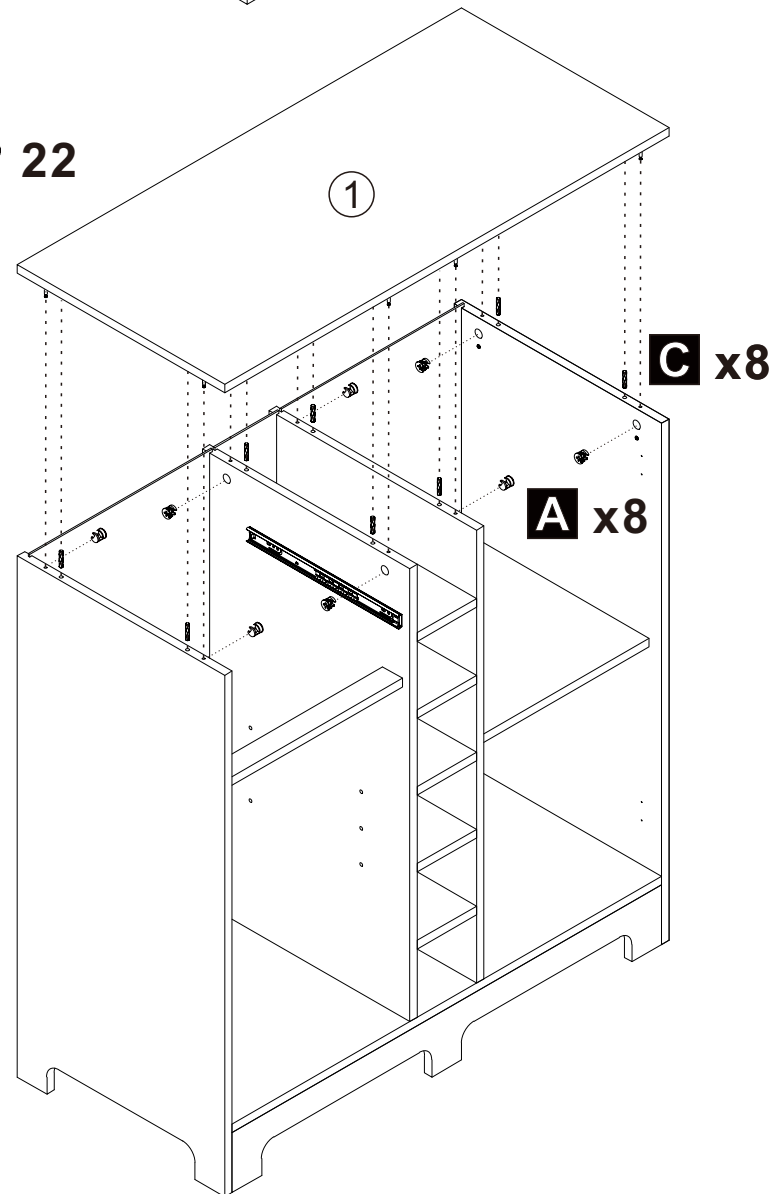
STEP 20



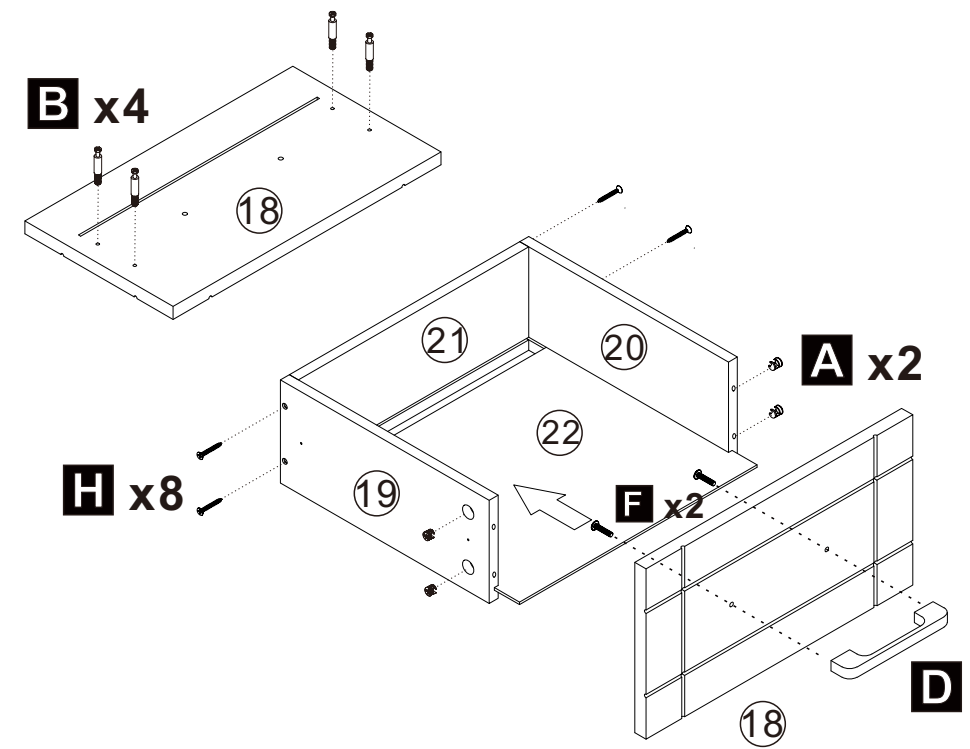
STEP 21



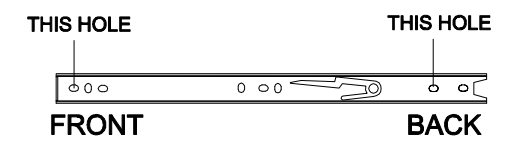
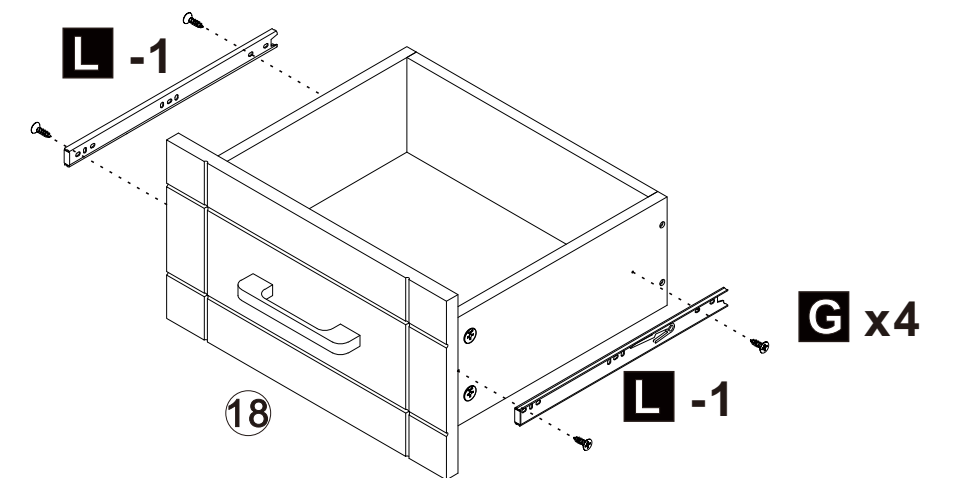
STEP 22



STEP 23

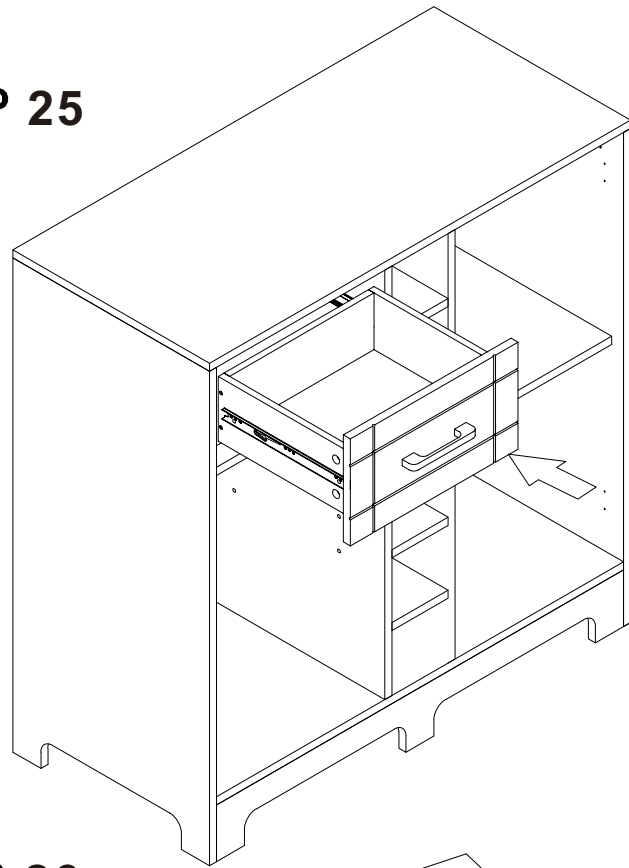


STEP 24

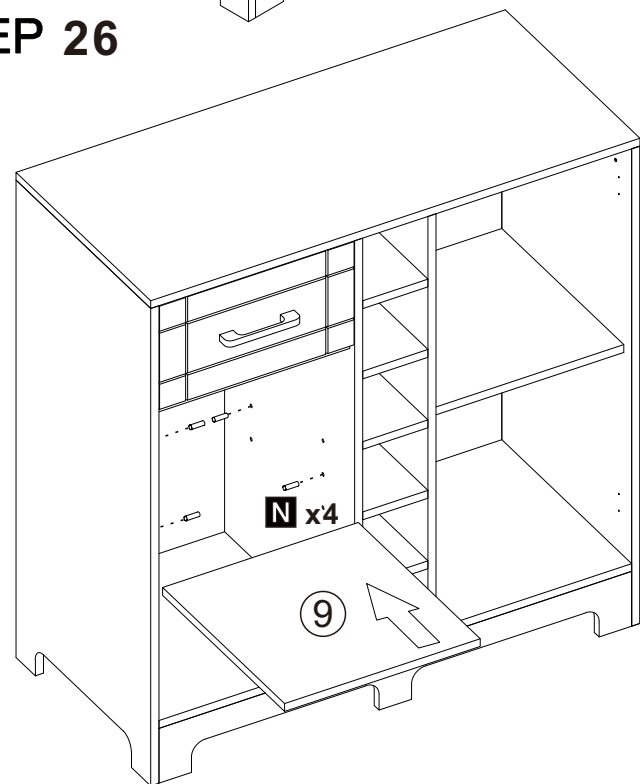


INSTRUCTIONS MANUAL

STEP 25

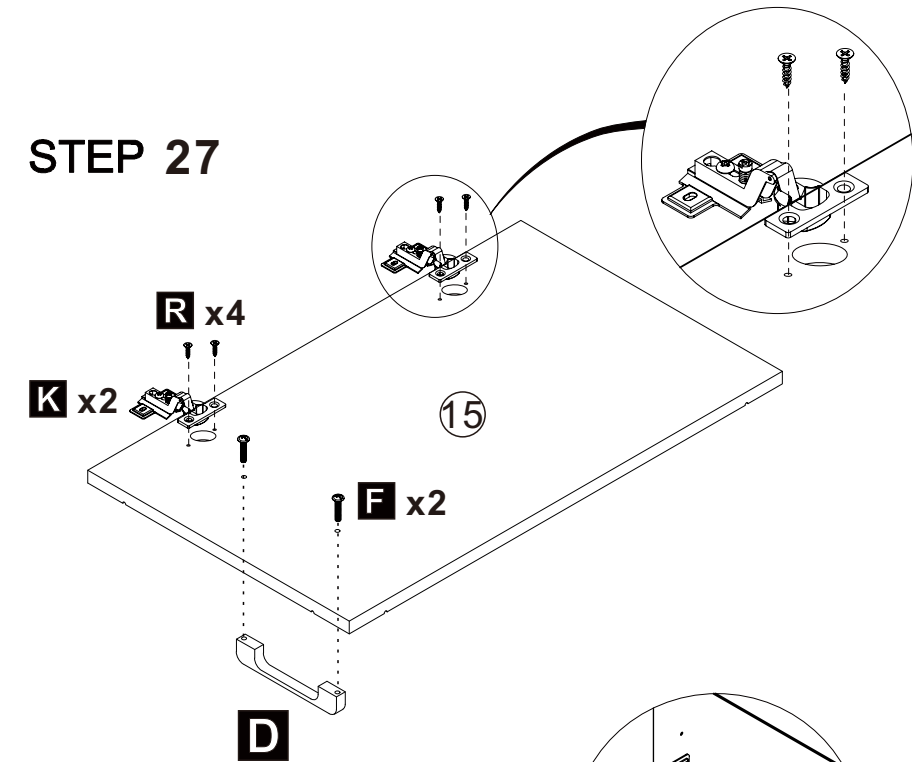


STEP 26

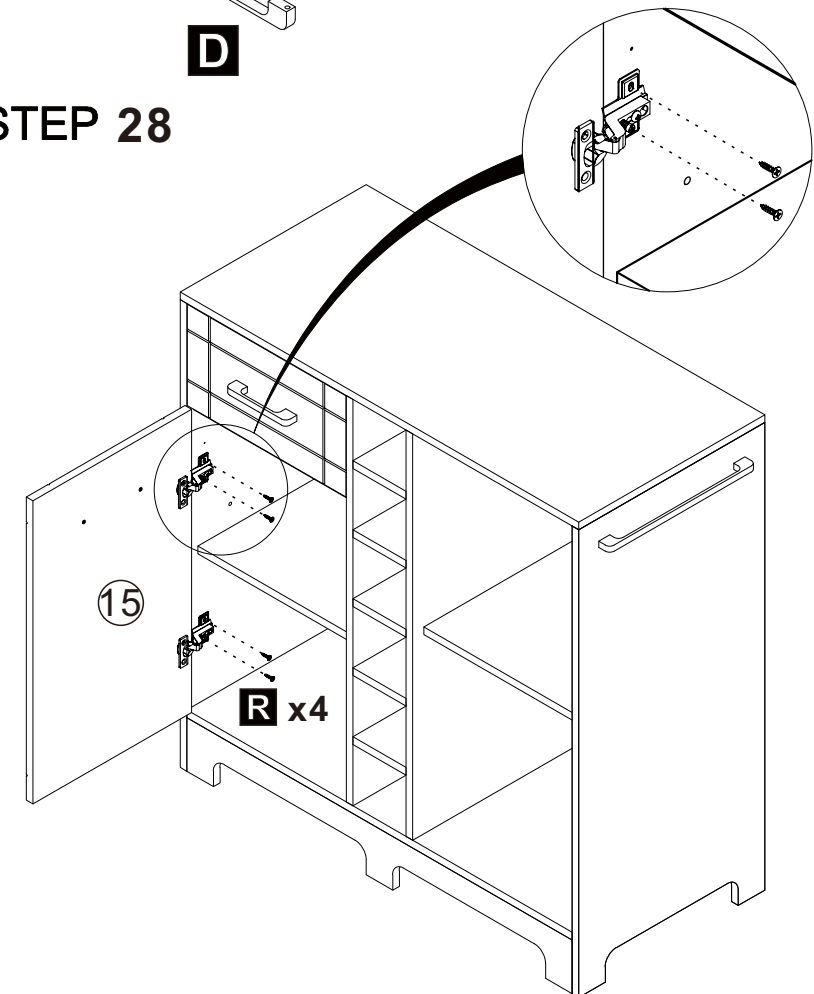


INSTRUCTIONS MANUAL

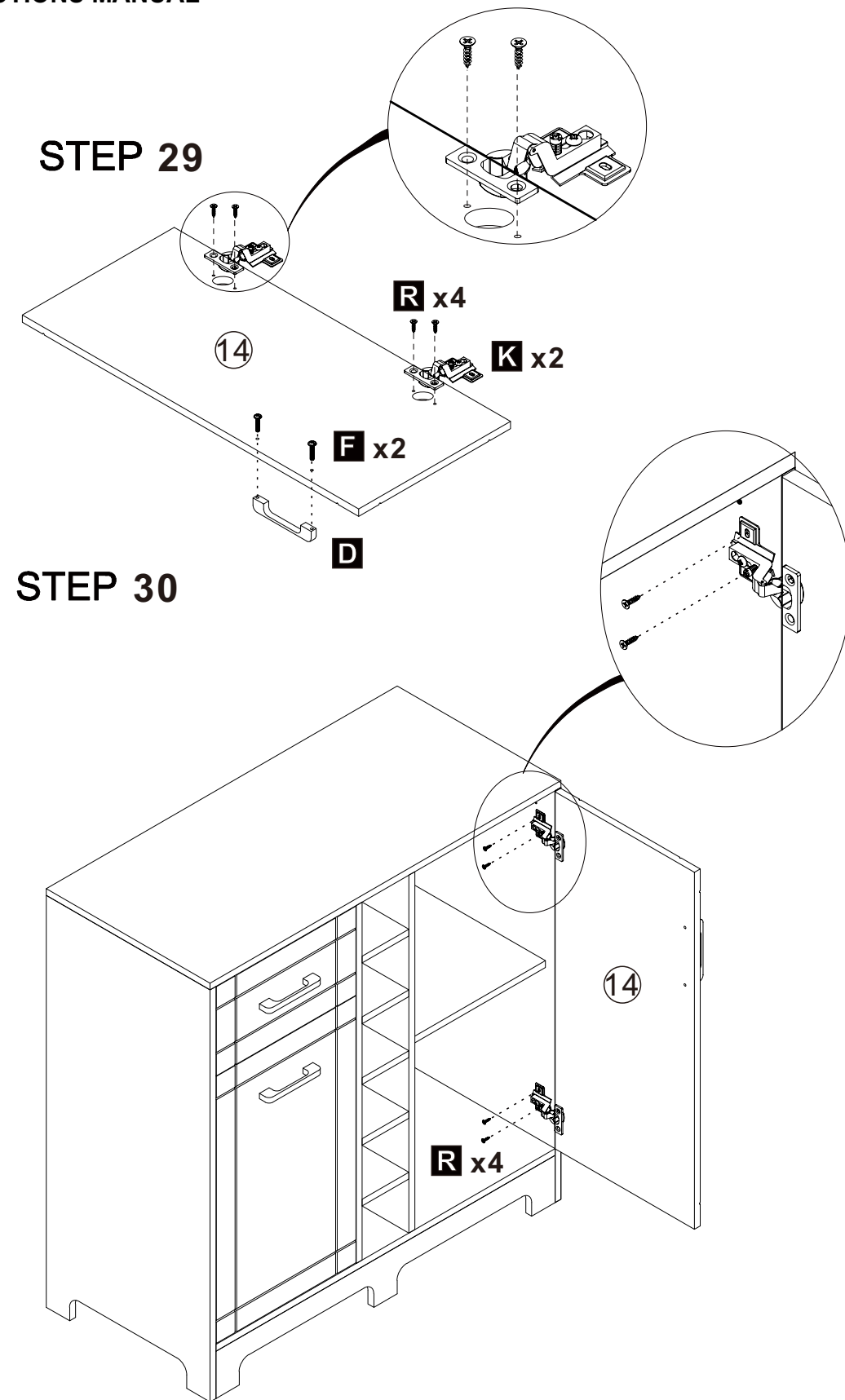
STEP 27



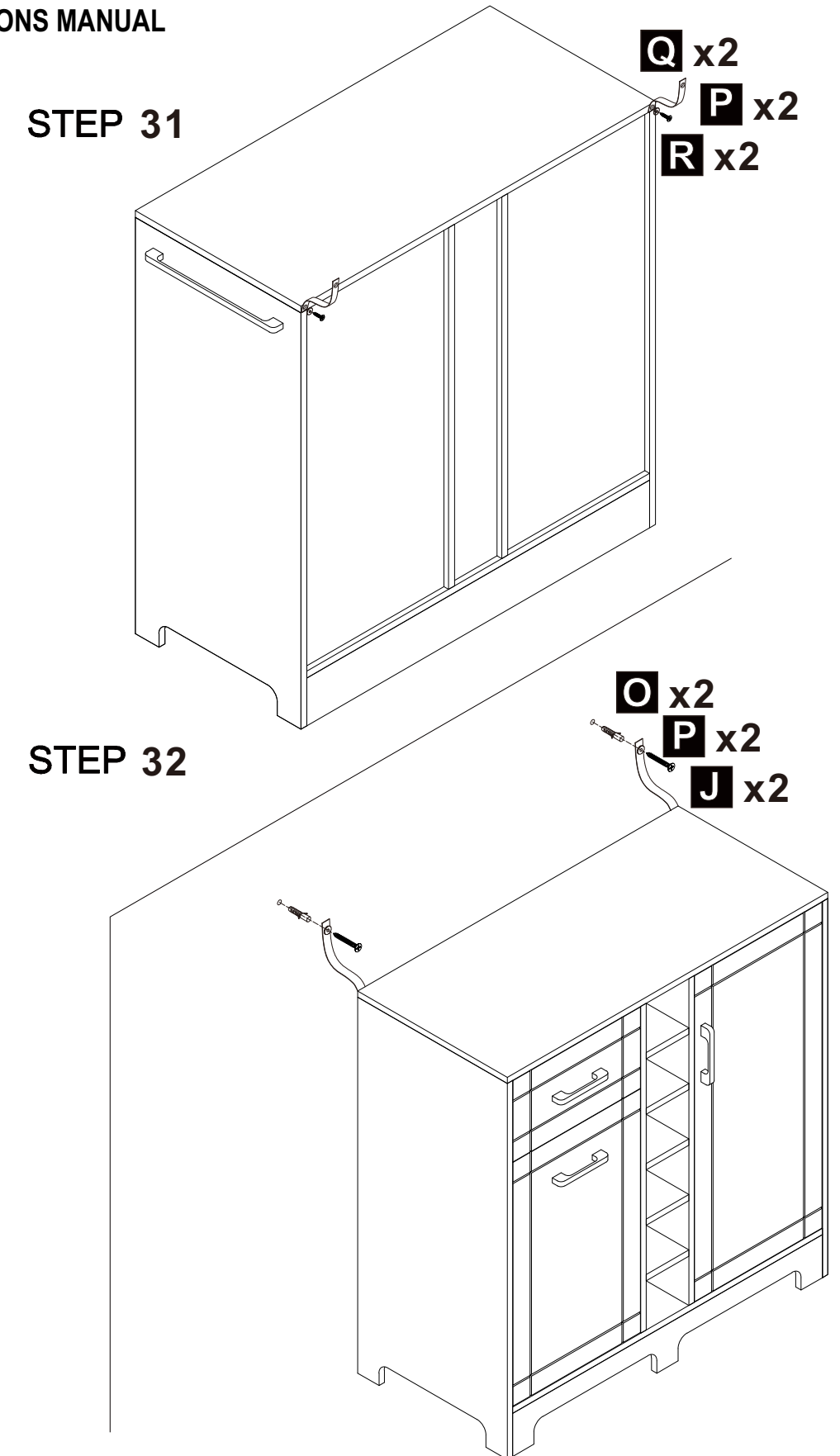
STEP 28



INSTRUCTIONS MANUAL



INSTRUCTIONS MANUAL



---

## MAINTENANCE

Our iron/steel components for products are coated with rust inhibiting paint that protects it from rusting. However, due to the nature of iron, surface oxidation (rusting) will occur once these protective coatings are scratched. This is a natural process and is not a defect! To minimize this condition, we recommend care when assembling & handling the product to prevent scratching the paint.

## ATTENTION

1. Keep all children and pets away from assembly area. Children and pets should be supervised when they are in the area.
2. Some parts may contain sharp edges. Wear protective gloves if necessary during assembly.
3. When assembling and using this product, basic safety precautions should always be followed to reduce the risk of personal injury and damage to equipment. Please read all instructions before assembly and use.
4. Check all bolts for tightness before and during usage.
5. Please take time to read these instructions thoroughly and follow each step carefully for safe and easy operation. Keep this manual for future reference.

## LIMITED TERM WARRANTY

ONE (1) YEAR FROM DATE OF PURCHASE

### WARRANTY TERMS

We warrant that our merchandise are free from manufacturing defects (workmanship and/or material) and will either give credit or replace defective parts for a period of up to one (1) year from the date of purchase in accordance with the conditions set forth below.

### ADDITIONAL CONDITIONS

The following examples are not manufacturer's defects:

- Colors may vary slightly from the photo because of photography and printing tolerances.
- Foam will soften slightly.
- Sizes are stated in U.S. standard measurements while the actual sizes are manufactured using the metric system. Therefore the sizes may vary slightly.
- There are no exchanges or refunds on any pillows or toppers sold.
- No returns for buyer's remorse.
- \* No returns - other than stated above - will be accepted