

## Model #DV-1K505

Overall Dimension: 35 5/8" L x 18" W x 10" D

## Features:

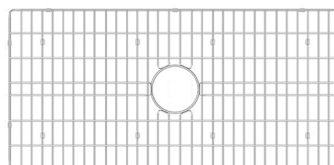
- Deep single bowl sink inhibits splashing, fits your tallest pots and piles of dishes, and holds your largest cookware.
- Farmhouse apron installation creates a seamless transition from sink to countertop. The design with a flat apron front and offset drain elevates your kitchen decor with modern style.
- The surface of Fireclay sink is coated with a thick glaze material, making it smooth and easy to clean. It is also quieter than a stainless steel sink.
- Sloped bottom design of the kitchen sink can help drain water quickly and prevent water pooling.
- Extreme resistance to chip, discoloration, scratching and cracking.
- Sink can accommodate a 3.5" garbage disposal.
- The water absorption rate of Fireclay sink is 9%, which is well above the qualified standard.



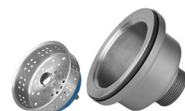
## Package Included:



● Farmhouse Kitchen Sink(DV-1K505)



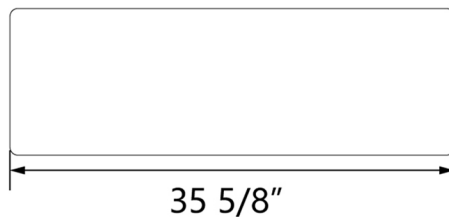
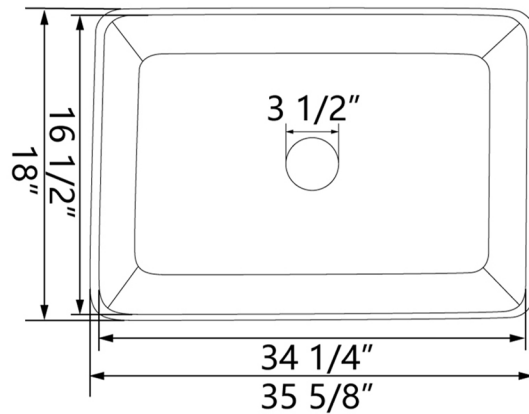
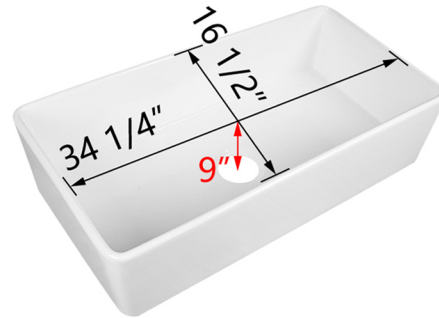
● Sink Grid(DV-K505G10)



● Basket Strainer(DV-1D902)

## Technical Specifications:

- + Outer: 35 5/8" L x 18" W x 10" D
- + Inner: 34 1/4" L x 16 1/2" W x 9" D
- + Weight: 90.4 lbs
- + Drain: 3 1/2" diameter
- + Cabinet Size: 36 5/8" minimum



#DV-1K505

Sinks are individually handcrafted, so sizes may vary slightly.

**1 Year Warranty**

All DeerValley kitchen sinks come with our Warranty within one year.

