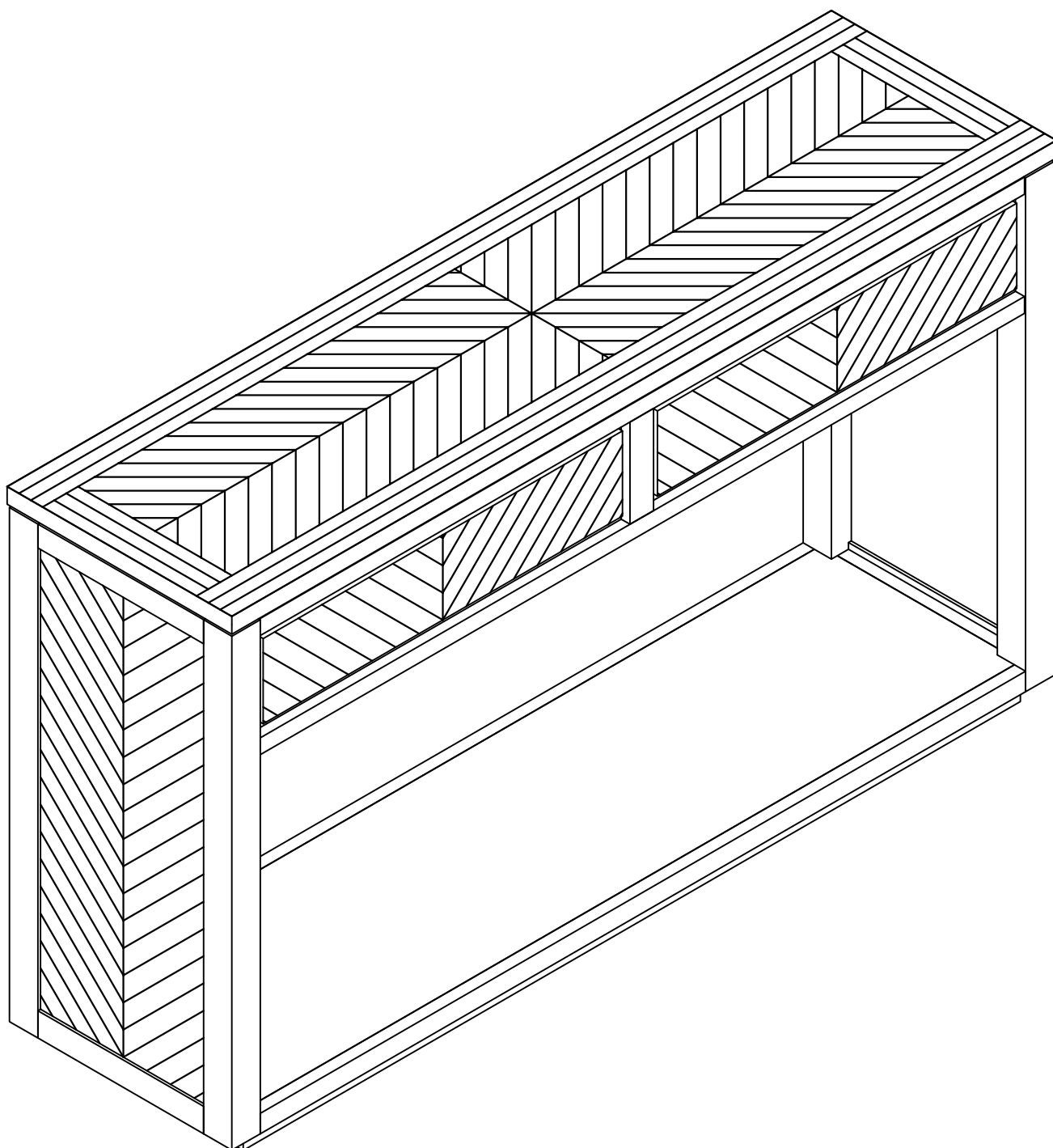
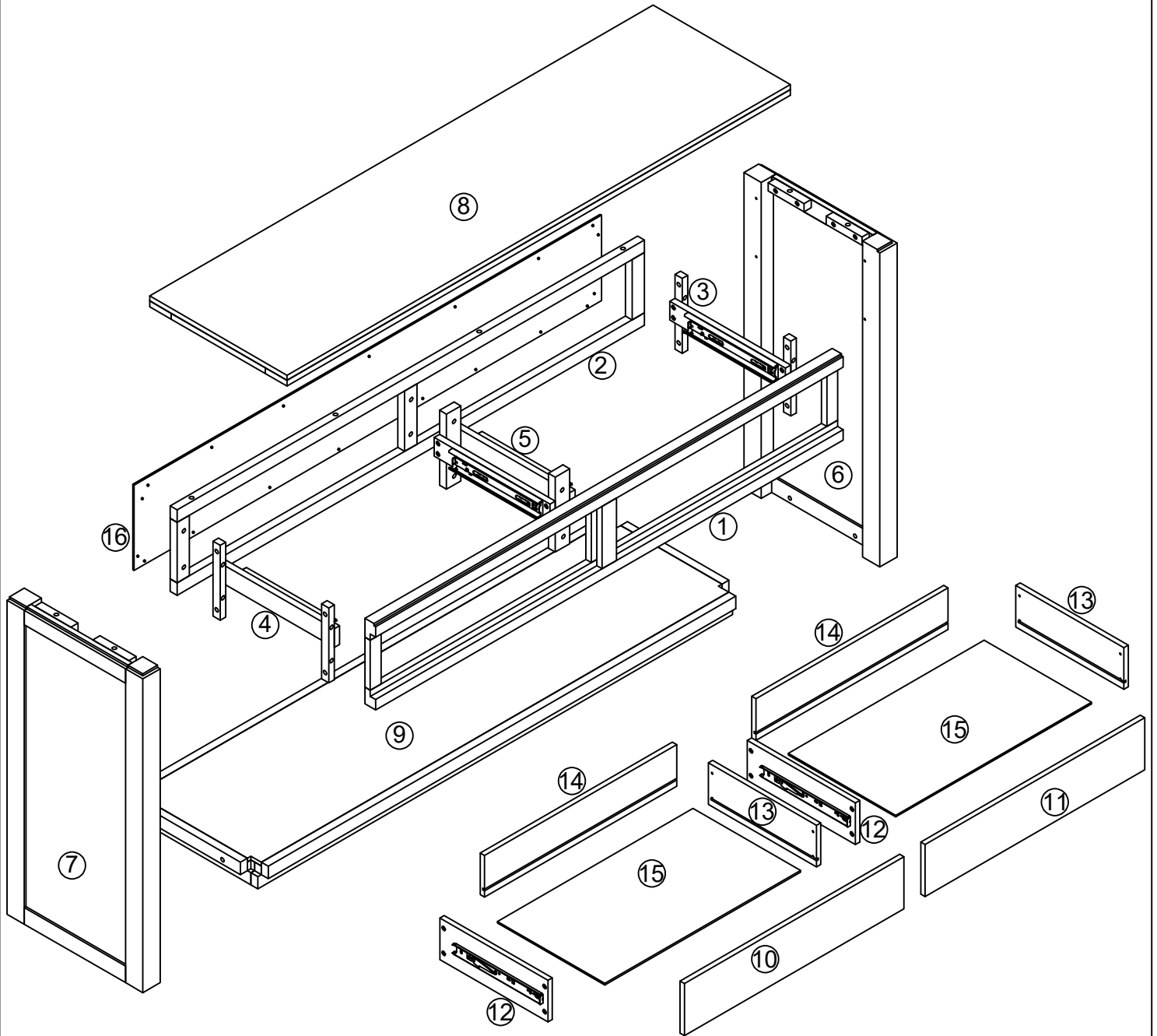


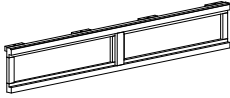
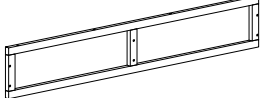
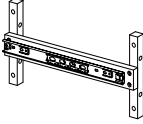
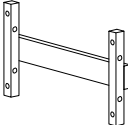
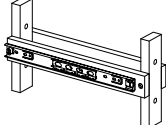
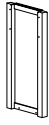
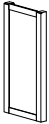


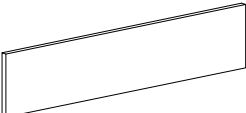
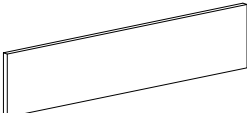


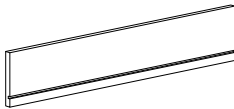

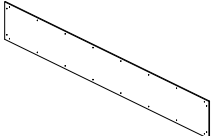
ASSEMBLY INSTRUCTION







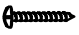
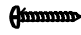
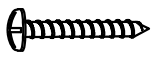


Detail View



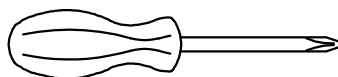
Part List

1  Front Frame Assembly -1pc	2  Back Frame Assembly-1pc	3  Right Rail Support-1pc
4  Left Rail Support-1pc	5  Middle Rail Support-1pc	6  Right frame -1pc
7  Left frame -1pc	8  Top Panel -1pc	9  Bottom Frame-1pc
10  Left Front Panel Drawer-1pcs	11  Right Front Panel Drawer-1pcs	12  Left Side Panel Drawer-2pcs
13  Right Side Panel Drawer-2pcs	14  Back Panel Drawer - 2pcs	15  Bottom Panel Drawer -2pcs
16  Back Panel - 1pcs		

Hardware List





<p>A</p>  <p>Ø1/4" x 50mm Bolt=8pcs</p>	<p>B</p>  <p>Ø1/4" x 30mm Bolt=28pcs</p>	<p>C</p>  <p>Ø1/4" x 11mm Spring Washer =36pcs</p>
<p>D</p>  <p>Ø1/4" x 13mm Flat washers =36pcs</p>	<p>E</p>  <p>Ø3.5 x 15mm Screw=20pcs</p>	<p>F</p>  <p>Ø4 x 25mm Screw=8pcs</p>
<p>G</p>  <p>Ø4 x 45mm Screw=8pcs</p>	<p>H</p>  <p>K4mm Allen key (1pc)</p>	<p>I</p>  <p>Kippschutz-Hardware-Kit =2pcs</p>

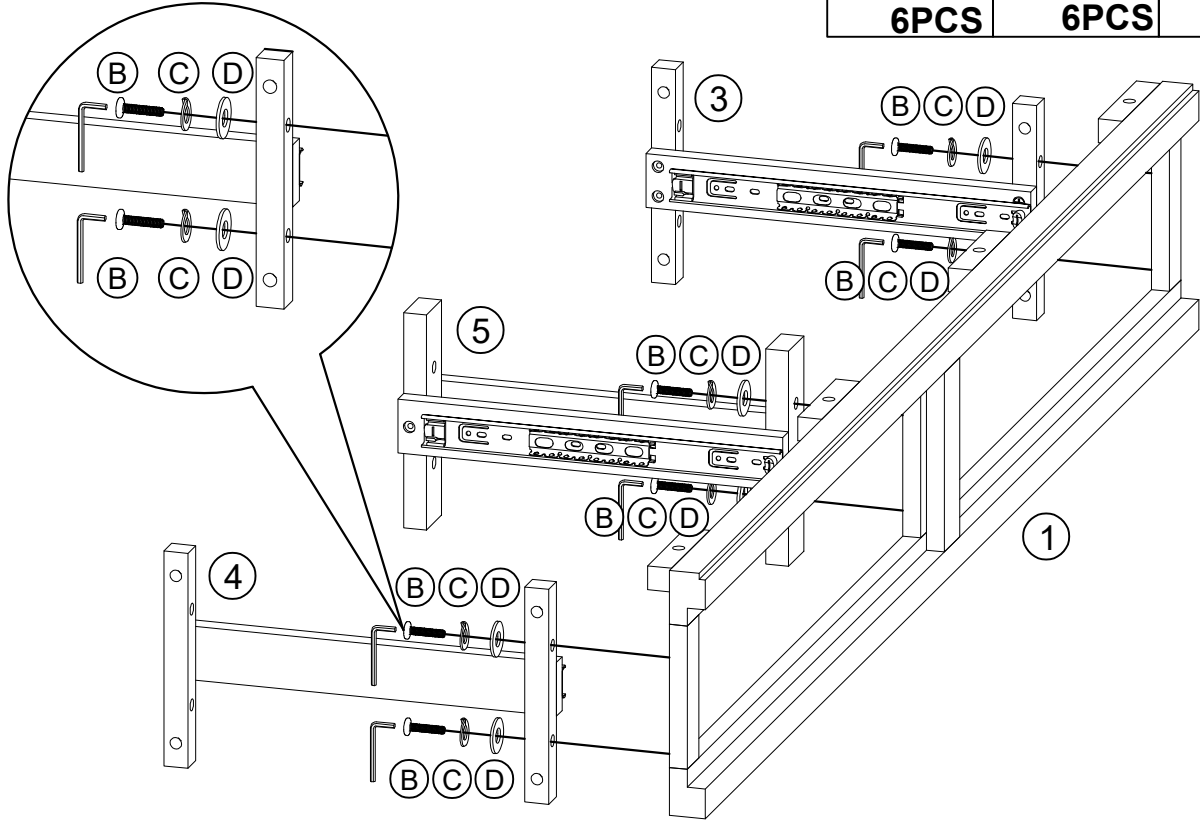
ASSEMBLY TOOLS REQUIRED (NOT INCLUDED)






PLEASE BE CAREFUL DO NOT DAMAGE THE HOLE POSITION WHEN YOU USE POWER TOOLS !

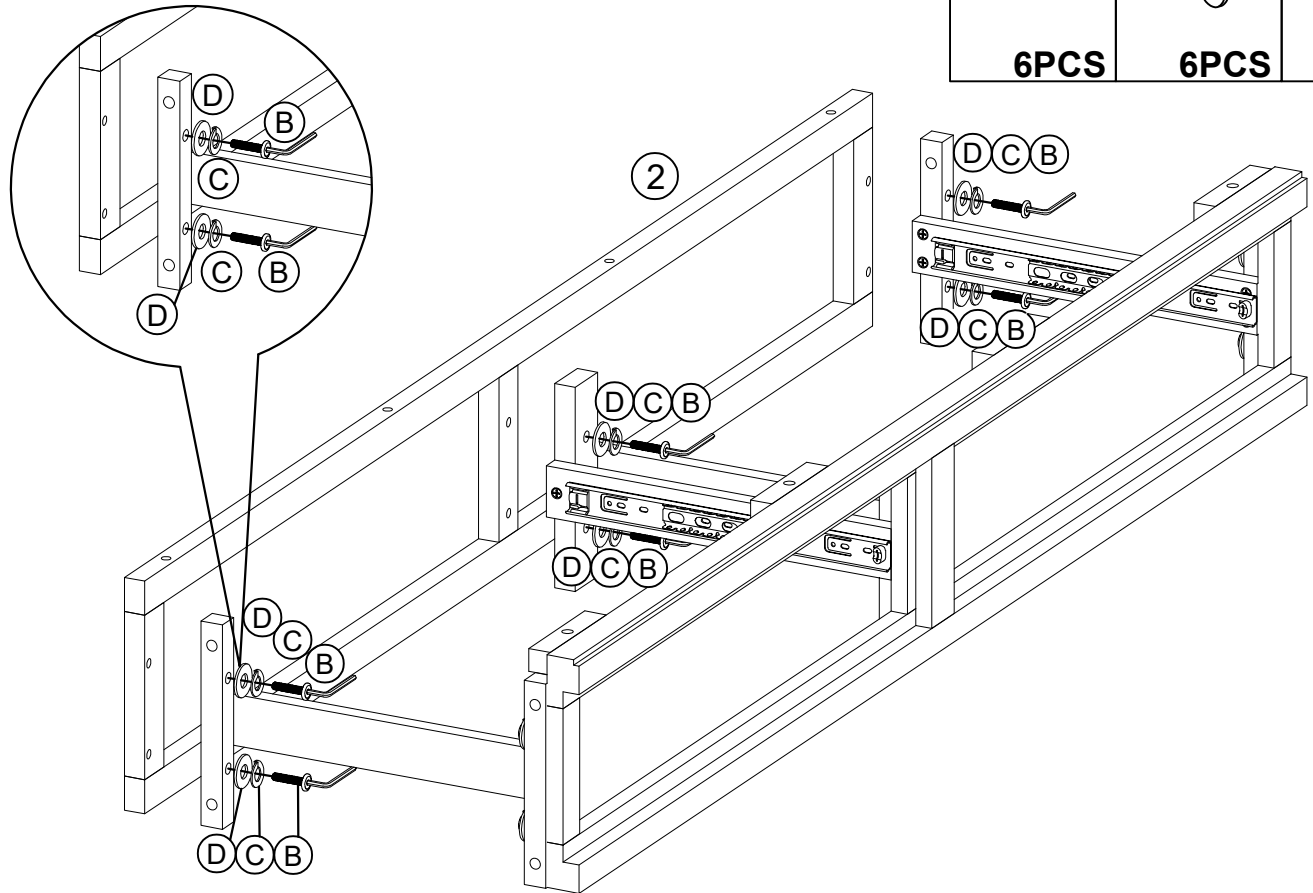
STEP 1:

B  6PCS	C  6PCS	D  6PCS	H  1PCS
---	--	--	--

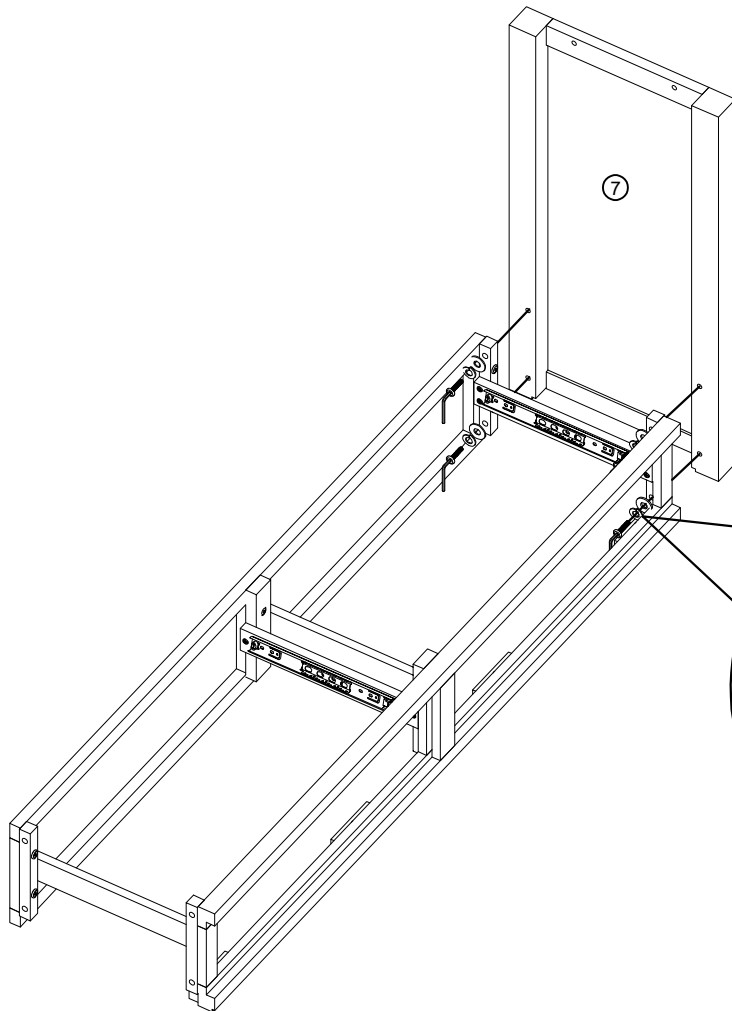





STEP 2:

B  6PCS	C  6PCS	D  6PCS
--	--	--

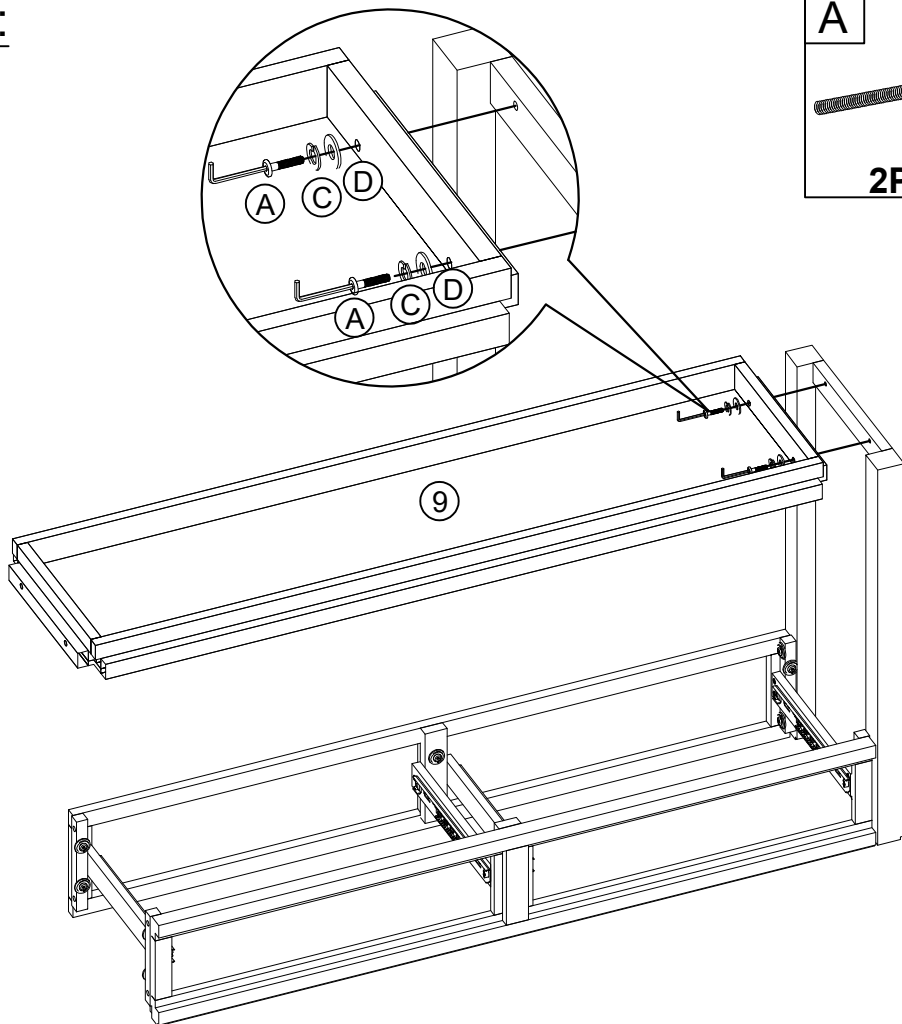





STEP 3:







B	C	D
		
4PCS	4PCS	4PCS

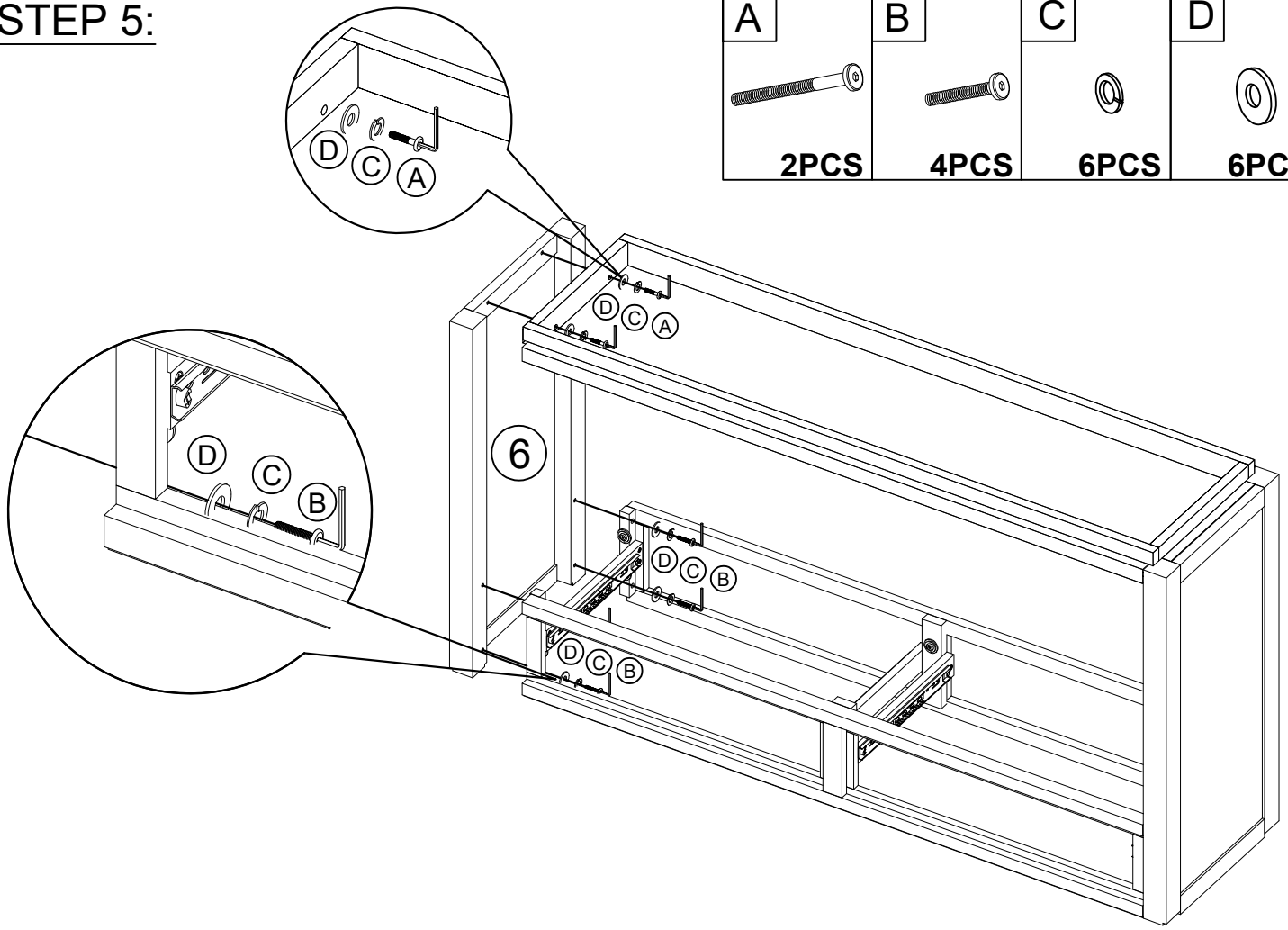
STEP 4:







A	C	D
		
2PCS	2PCS	2PCS

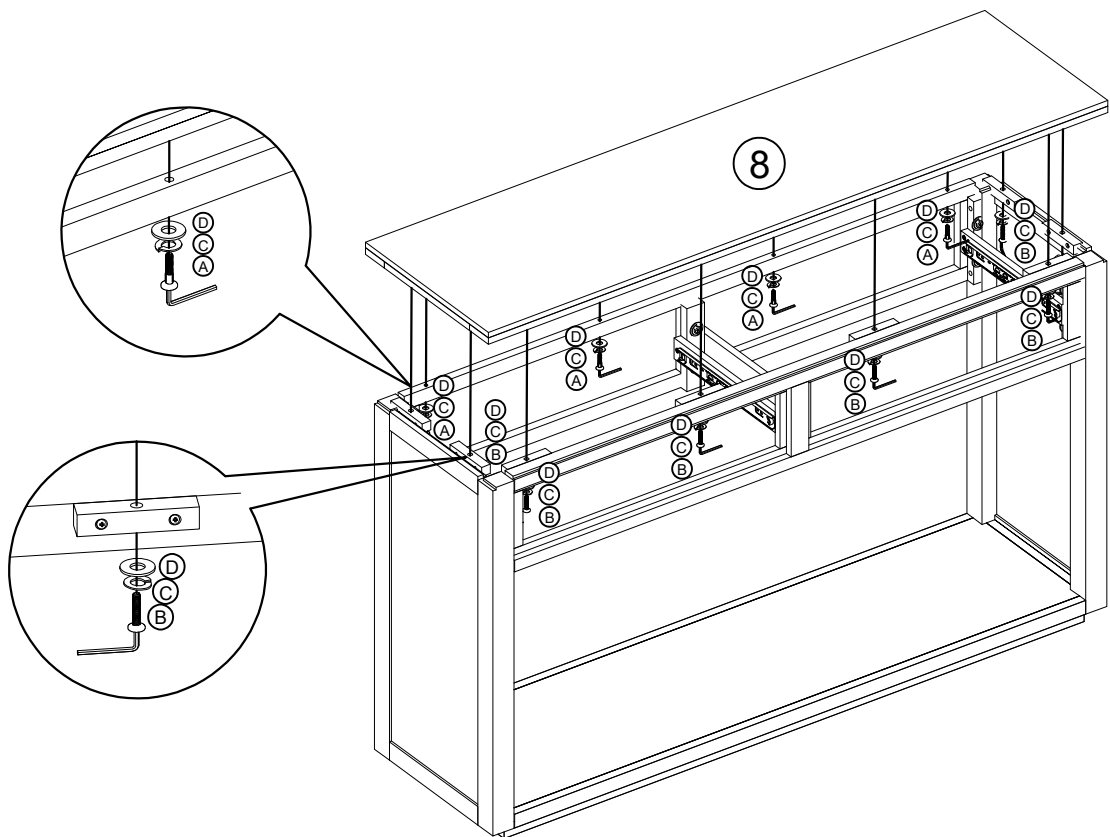
STEP 5:

A	B	C	D
			
2PCS	4PCS	6PCS	6PCS



STEP 6:

A	B	C	D
			
4PCS	8PCS	12PCS	12PCS

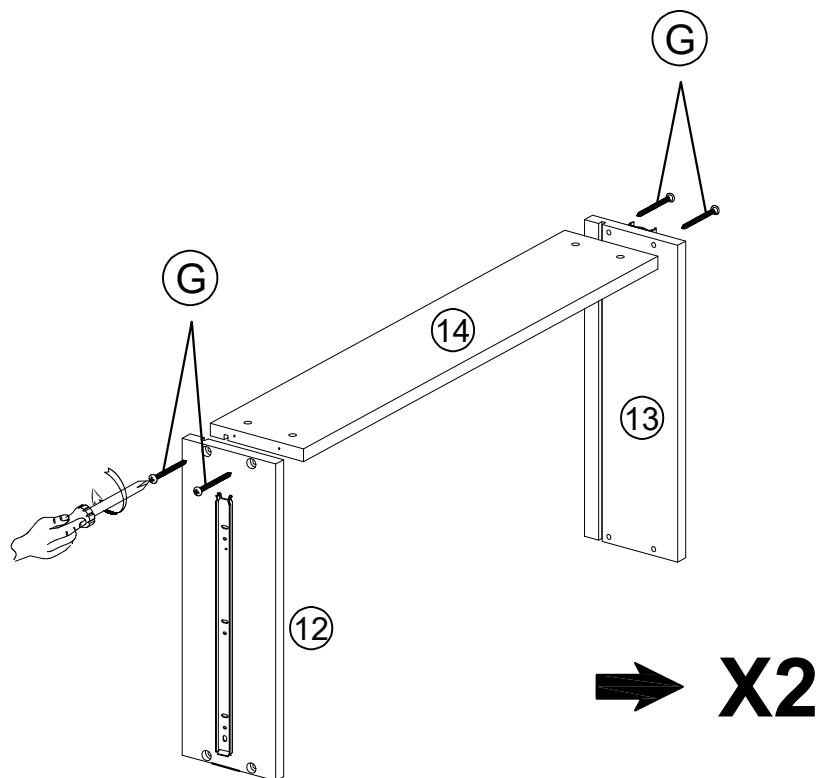


STEP 7:

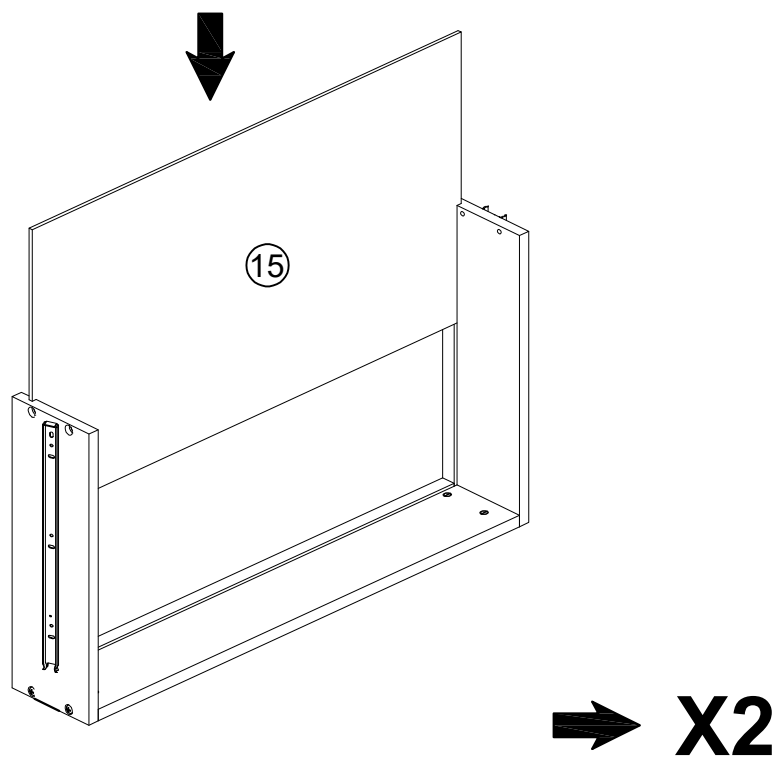
G



8PCS



STEP 8:

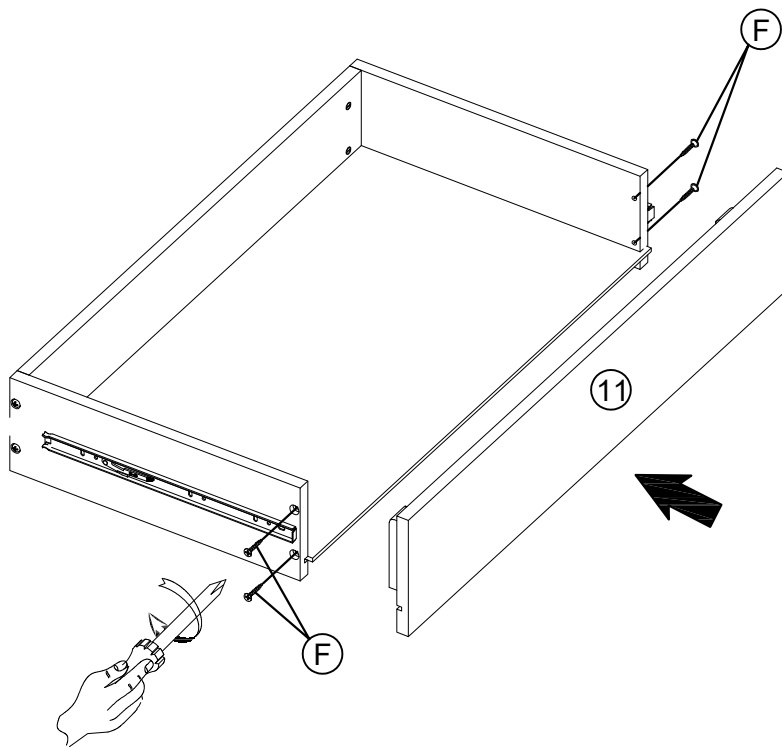


STEP 9:

F



4PCS

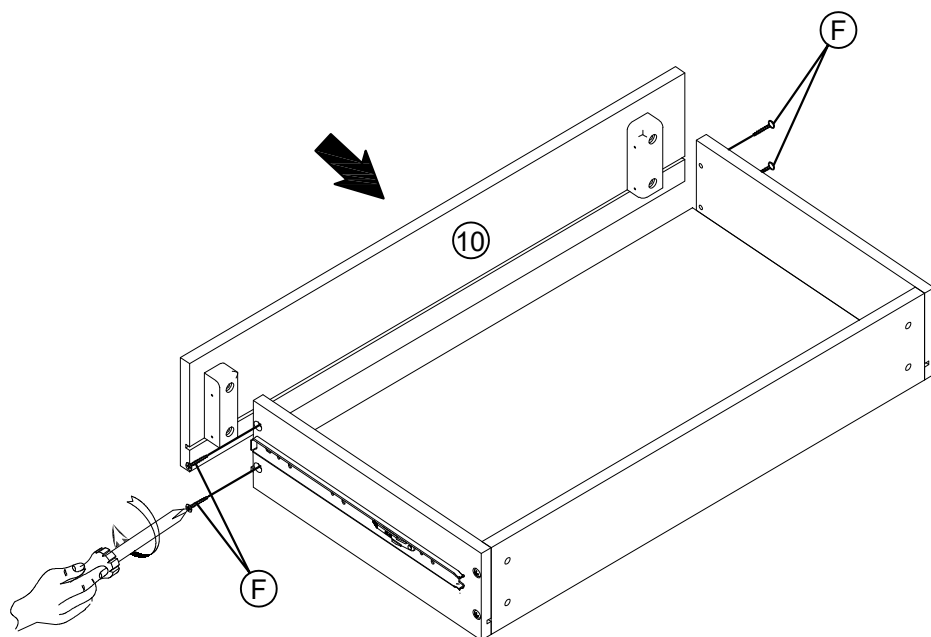


STEP 10:

F



4PCS

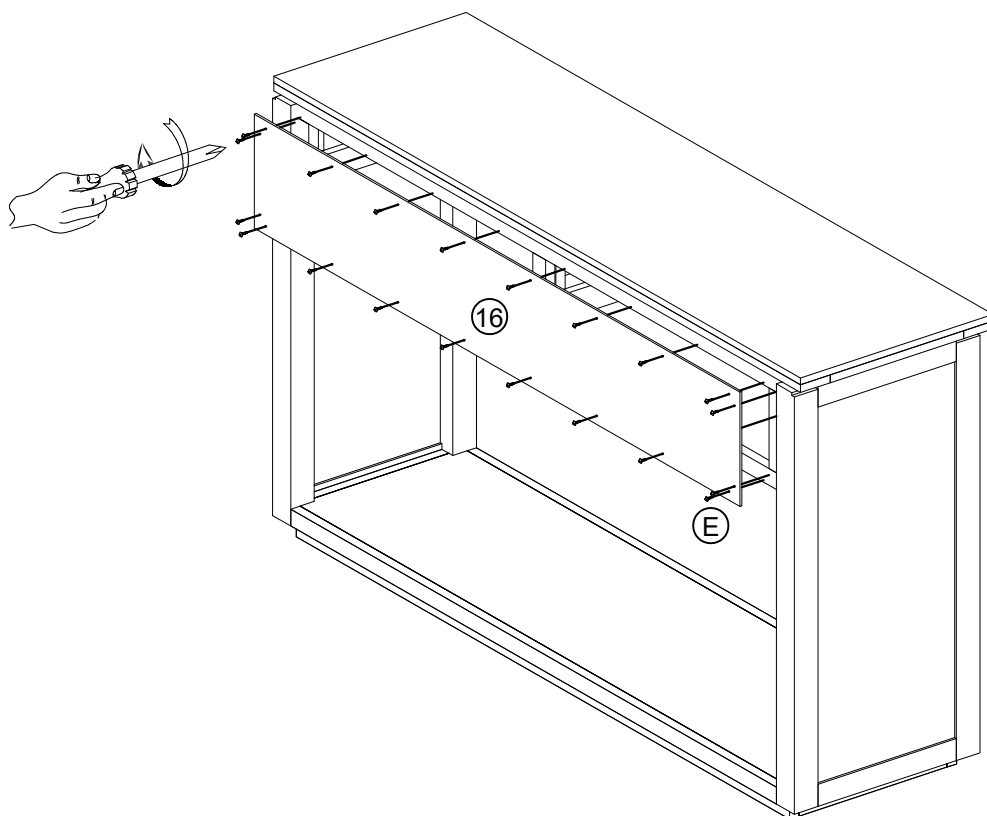


STEP 11:

E



20PCS

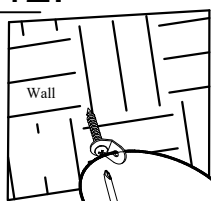


STEP 12:

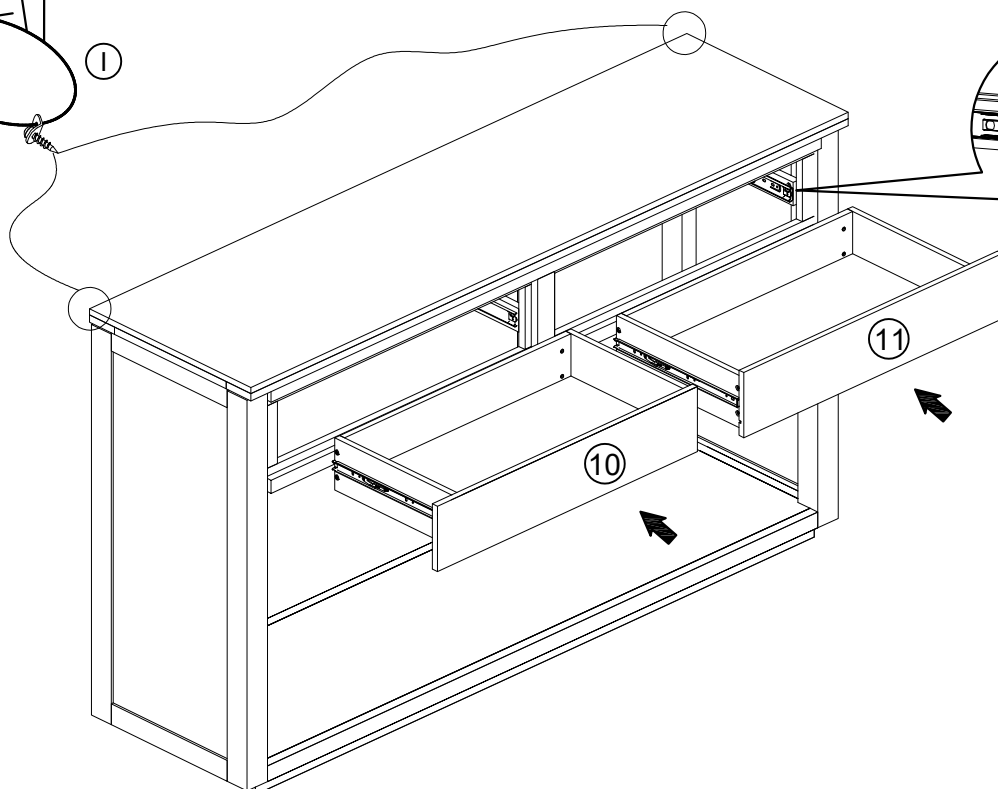
E



2PCS



Kippschutz-Hardware-Kit =2pcs



Please note: this Table can only be used on a flat, level surface.