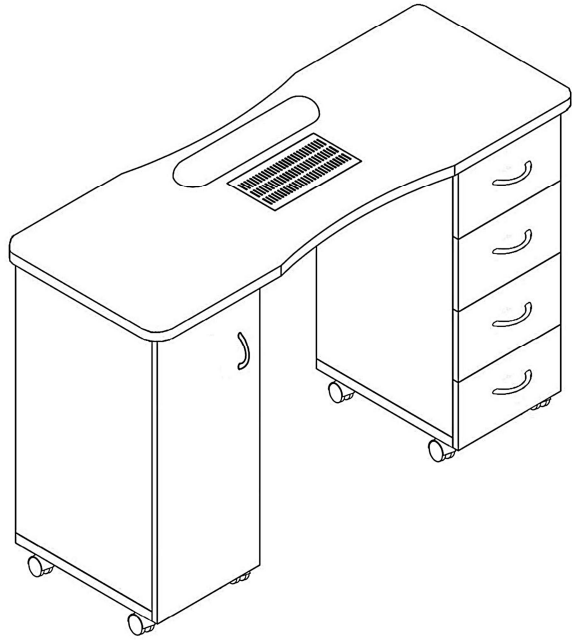


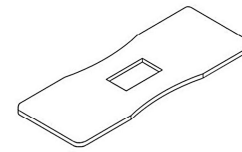
Assembly Drawing

MT-D



A-1

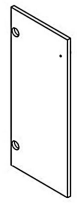
Table top
1200*475*21mm



x1

B-3

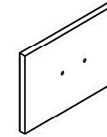
Door-board
716*298*15mm



x1

A-2

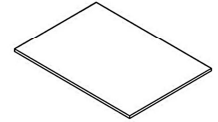
Drawing face
298*177*15mm



x4

B-4

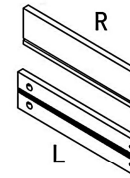
Bottom drawing
325*238*3mm



x4

A-3

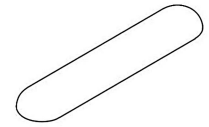
drawing side-board
330*118*15mm



x4
x4

B-5

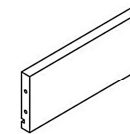
Pad



x1

A-4

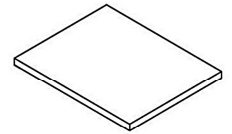
drawing Back-board
228*118*15mm



x4

B-6

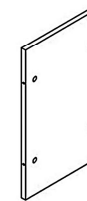
layer-board
347*270*15mm



x1

A-5

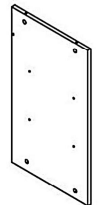
Back-board
704*270*15mm



x2

B-7

side-board
704*366*15mm



x2

B-1

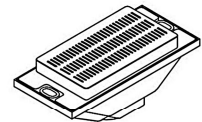
side-board
704*366*15mm



x2

B-8

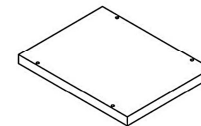
Fan



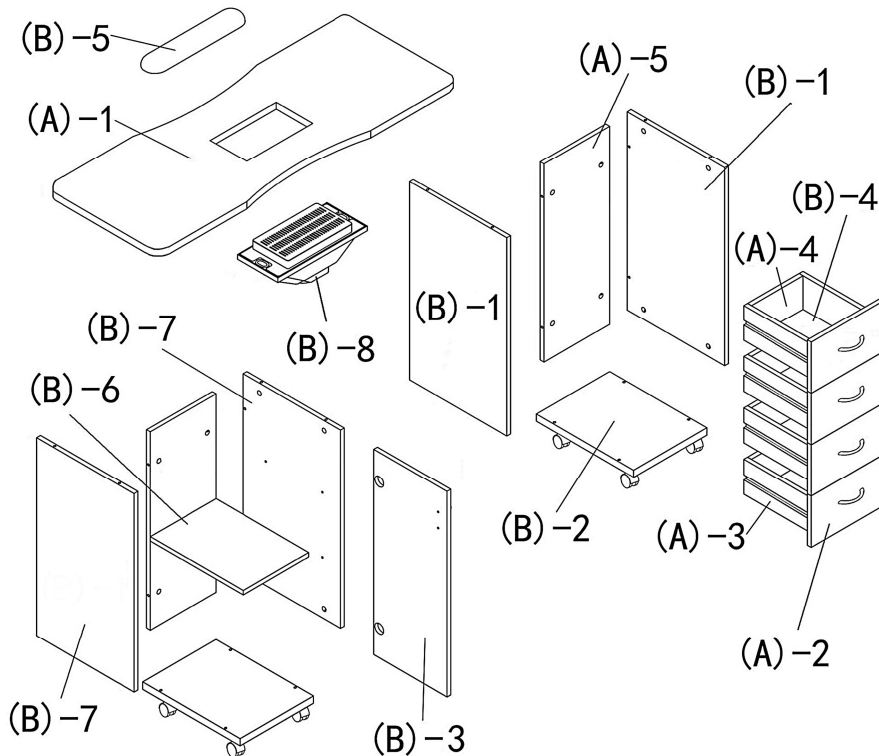
x1

B-2

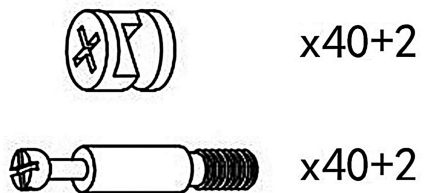
Bottom-board
366*300*15mm



x2

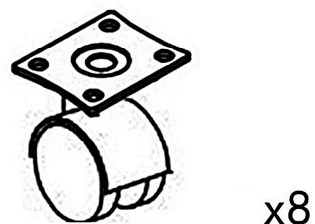


①



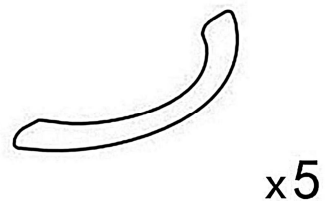
Eccentric fittings

②



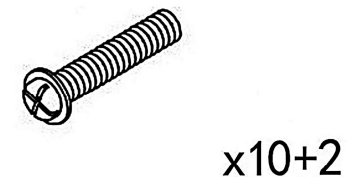
wheel

③



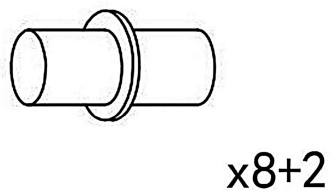
Handle

④



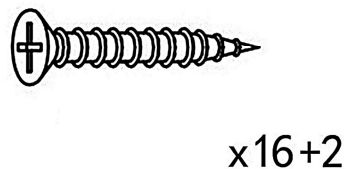
Screws $\phi 4*18$

⑤



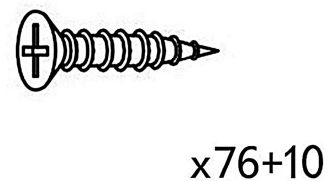
layer

⑥



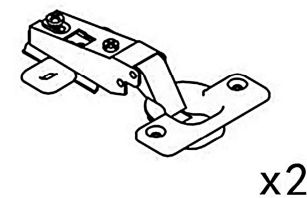
Screws $\phi 3.5*35$

⑦



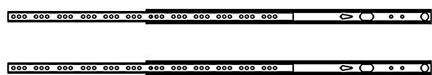
Screws $\phi 3.5*12$

⑧



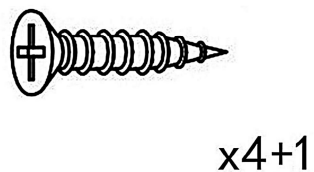
Hinge

⑨



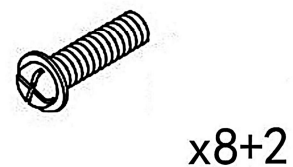
Guide 12"

⑩



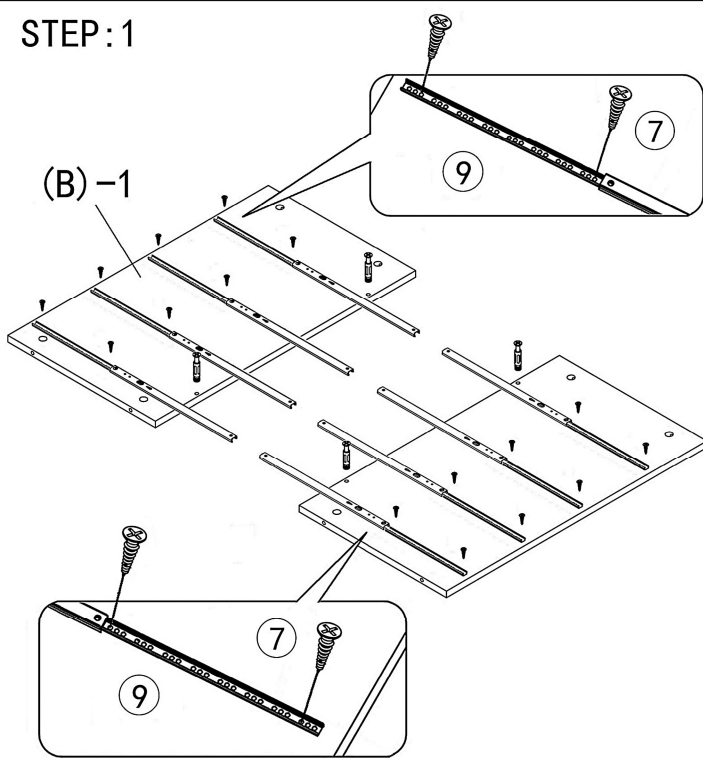
Screws $\phi 4*20$

⑪

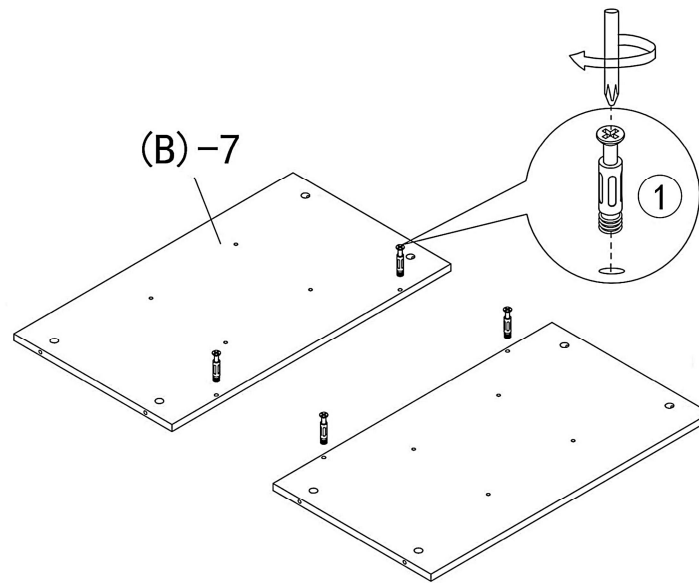


Screws $\phi 4*14$

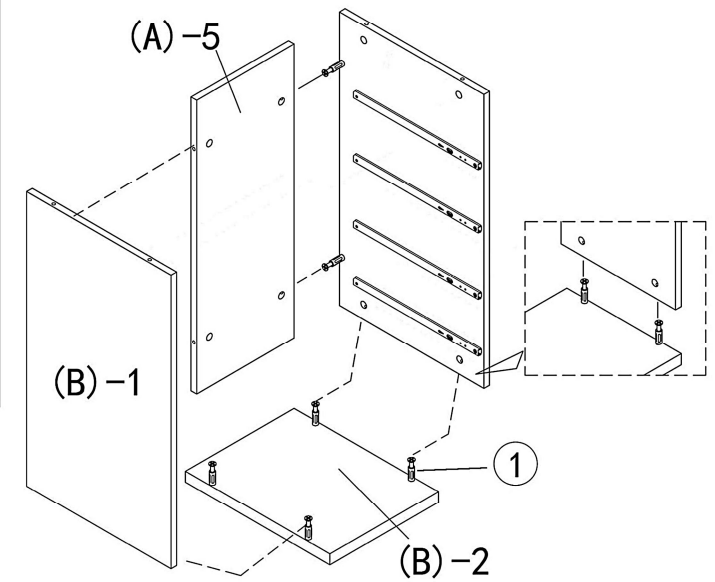
STEP:1



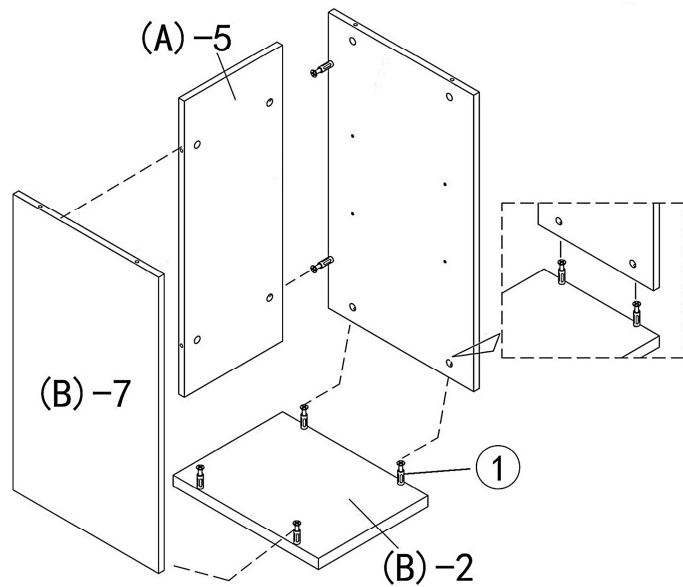
STEP:2



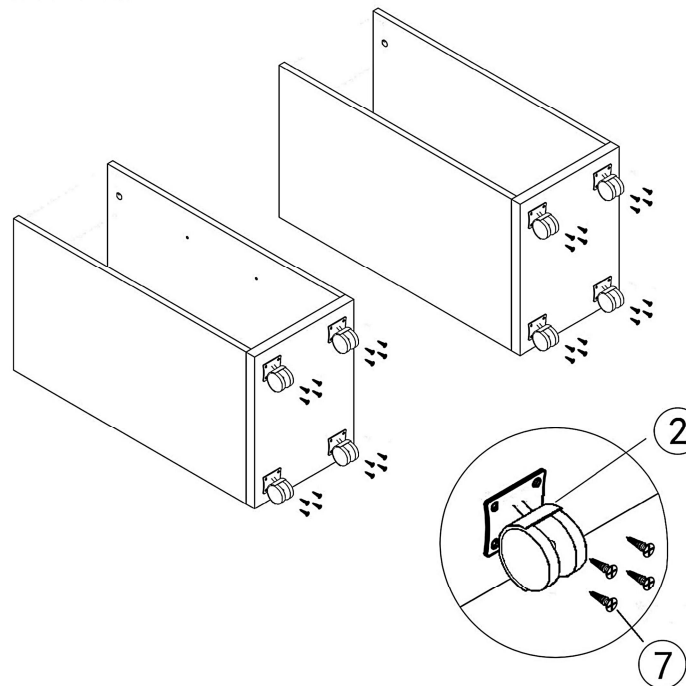
STEP:3



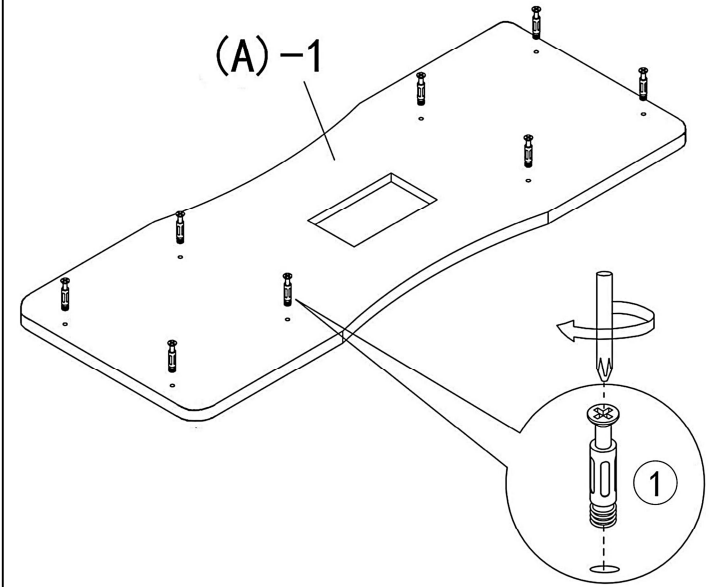
STEP:4



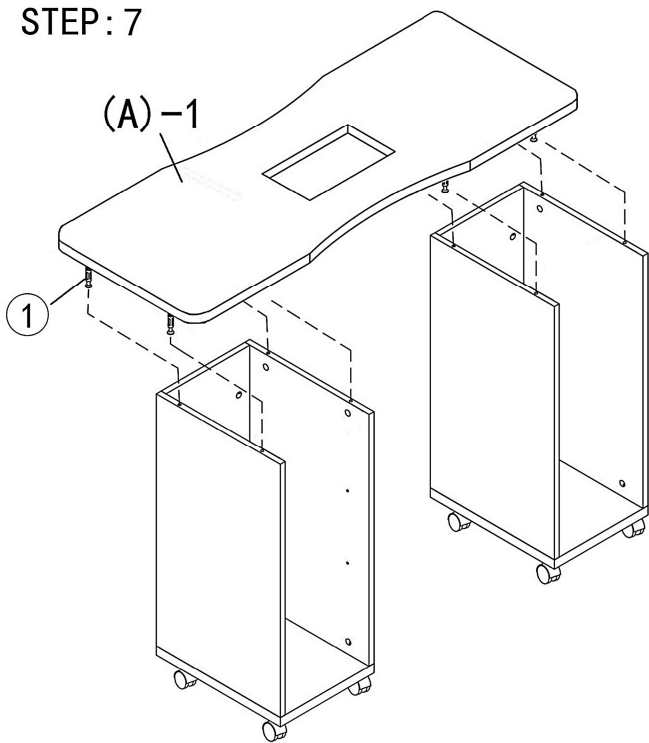
STEP:5



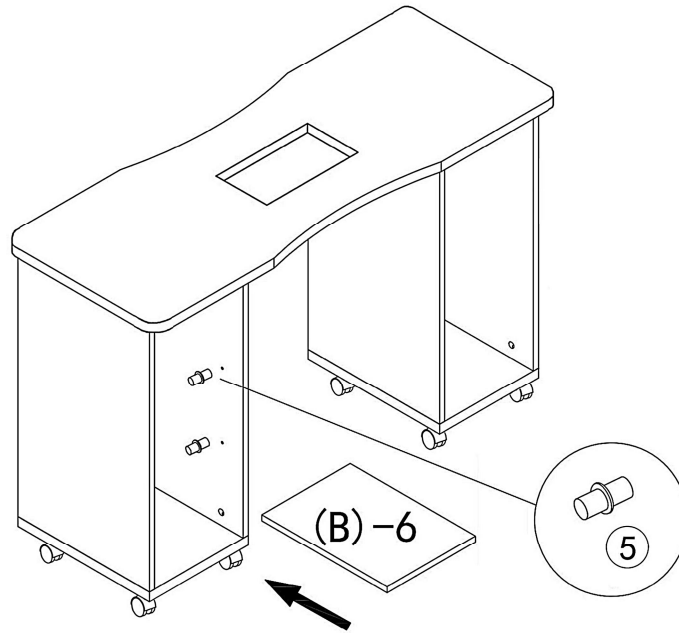
STEP:6



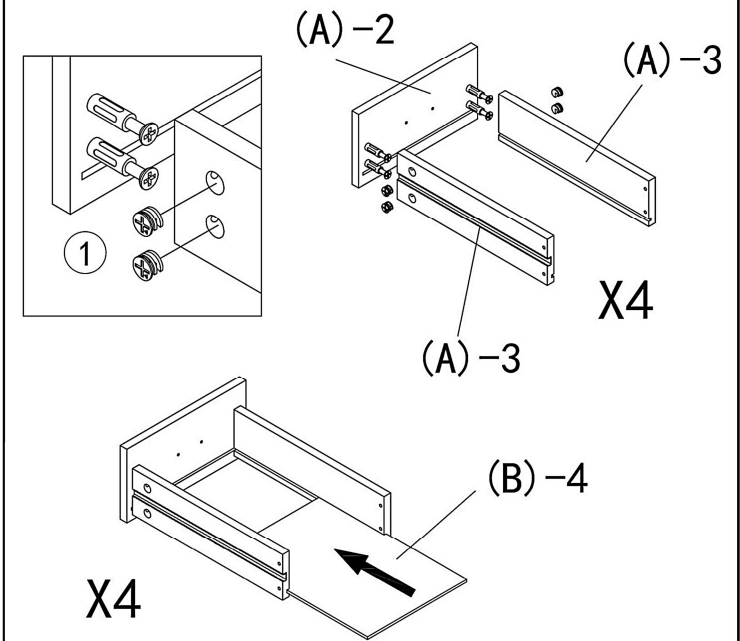
STEP: 7



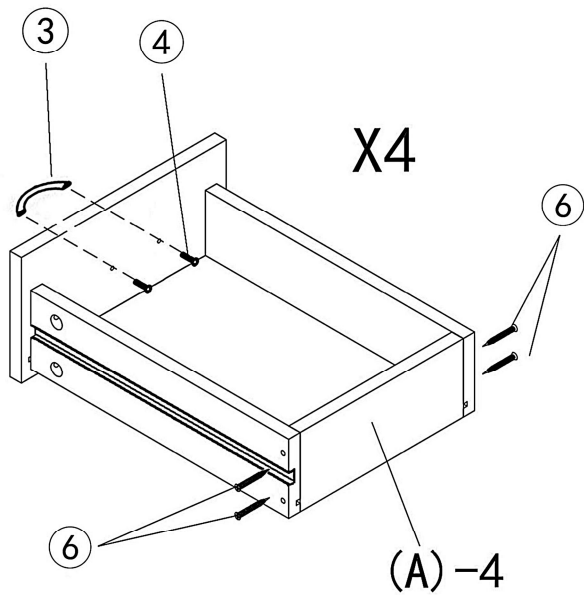
STEP: 8



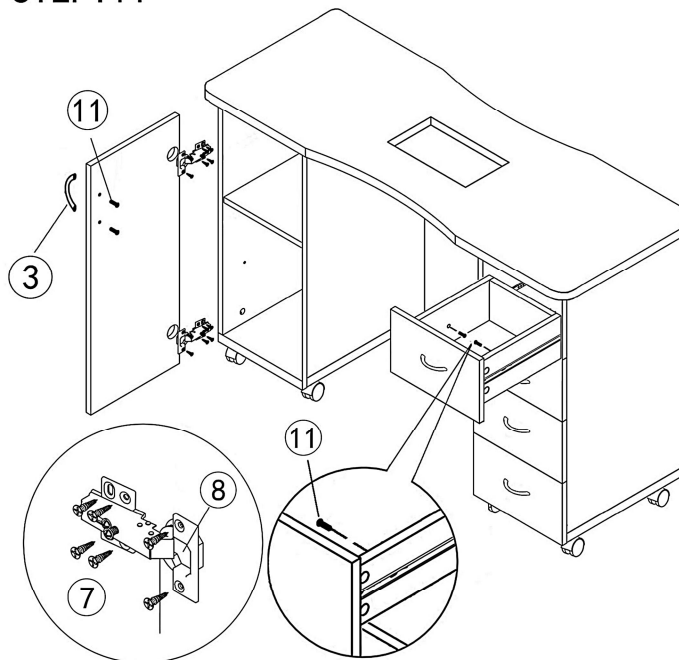
STEP: 9



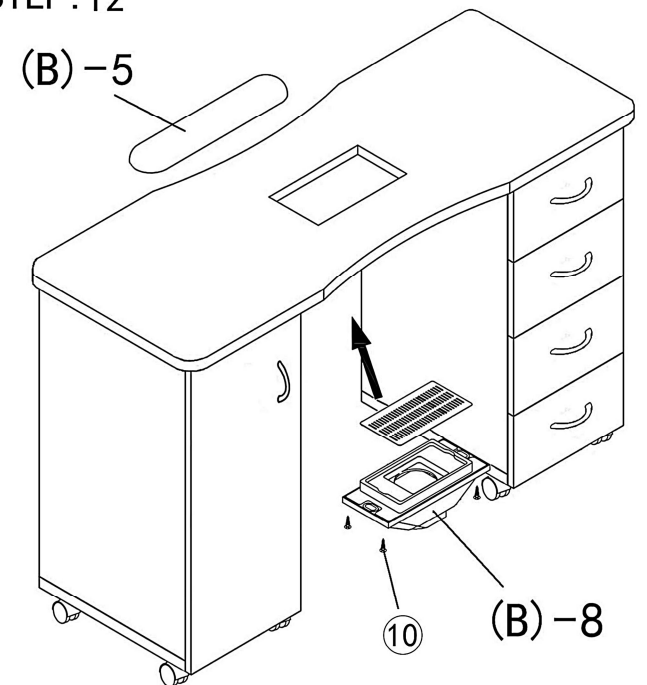
STEP: 10



STEP: 11



STEP: 12



STEP:1

