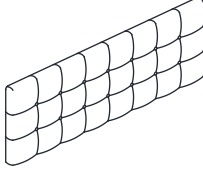
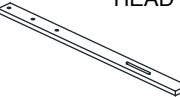


ASSEMBLY INSTRUCTION


I -QUEEN BED


NO	PART LIST	QTY
----	-----------	-----

1	 HEAD BOARD	1pc
---	---	-----


2	 HEAD BOARD LEG	2pcs
---	---	------


NO	HARDWARE LIST	QTY
----	---------------	-----

A	 JCBC SCREW M8 x 35mm	4pcs
---	--	------


B	 SPRING WASHER M8 x 14mm	4pcs
---	---	------


C	 FLAT WASHER M8 x 22mm	4pcs
---	---	------


D	 JCBC SCREW M6 x 50mm	4pcs
---	--	------

E	 SPRING WASHER M6 x 12mm	4pcs
---	---	------

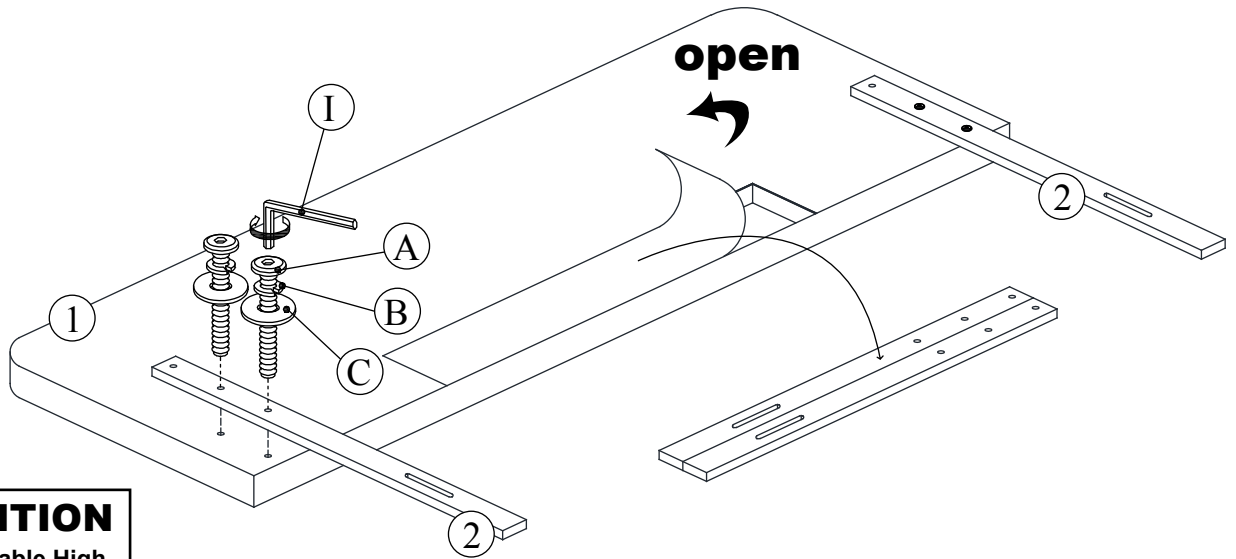
F	 FLAT WASHER M6 x 19mm	8pcs
---	---	------

G	 HEX NUT M6 x 5mm	4pcs
---	--	------

H	 L - KEY M4 x 65mm	1pc
---	---	-----

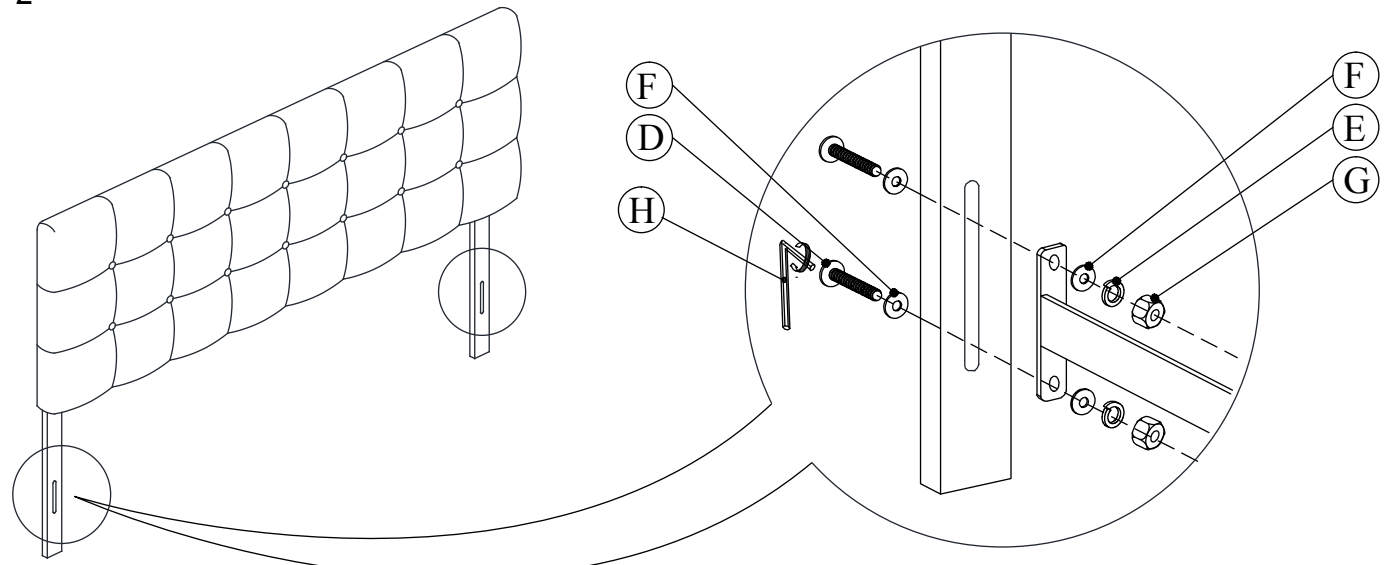
I	 L - KEY M5 x 65mm	1pc
---	---	-----

STEP 1



ATTENTION
Leg Adjustable High

STEP 2



NOTE: AFTER A FEW DAYS OF ASSEMBLY, IT WILL HAVE ACCLIMATIZED TO THE ENVIRONMENT. PLEASE TIGHTEN ALL HARDWARE. CHECK TIGHTNESS OF ALL SCREWS EVERY 6-8 WEEKS.