
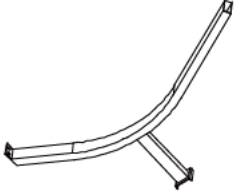

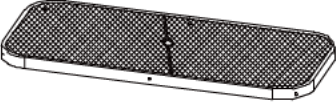
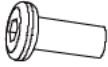







"IMPORTANT, RETAIN FOR FUTURE REFERENCE: READ CAREFULLY"

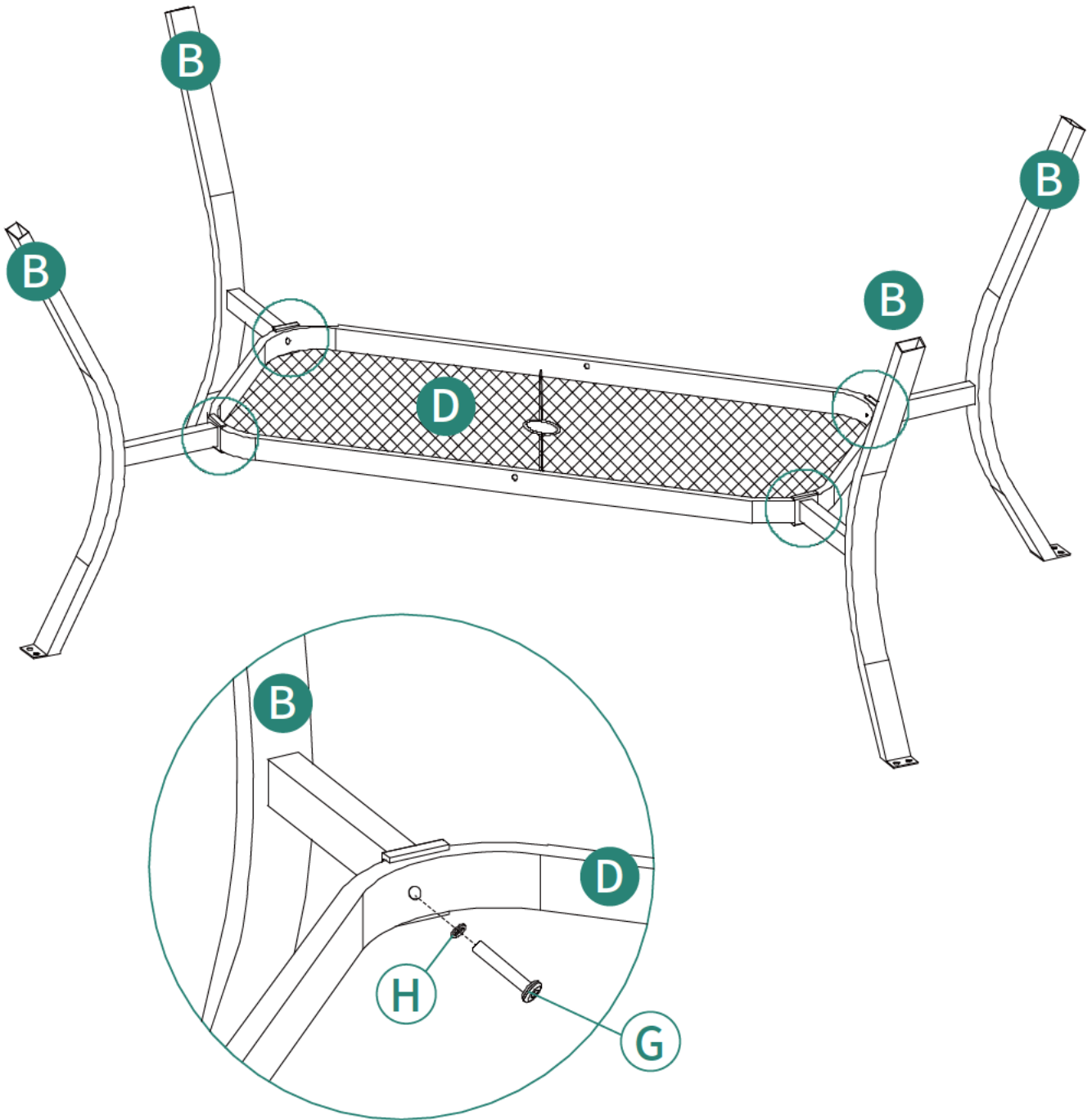
- ⚠ 1. Assemble product on a flat, clean surface.
- 2. Ensure that all screws are placed in correct positions prior to tightening.
- 3. If a screw cannot be inserted, loosen it and try again. Once all screws are aligned and inserted, tighten them in a crisscross pattern.
- 4. Do not fully tighten all screws until assembly is completed.

Item no.	Reference Image	Qty.	Item no.	Reference Image	Qty.
A		X2	B		X4
C		X2	D		X1
E	 M6X12mm	X8	F	 M6X20mm	X4
G	 M6X25mm	X6	H	 M6	X18
I		X1	J		X1

1



ⓑ4pcs ⓓ1pc ⓐ4pcs ⓗ4pcs



2



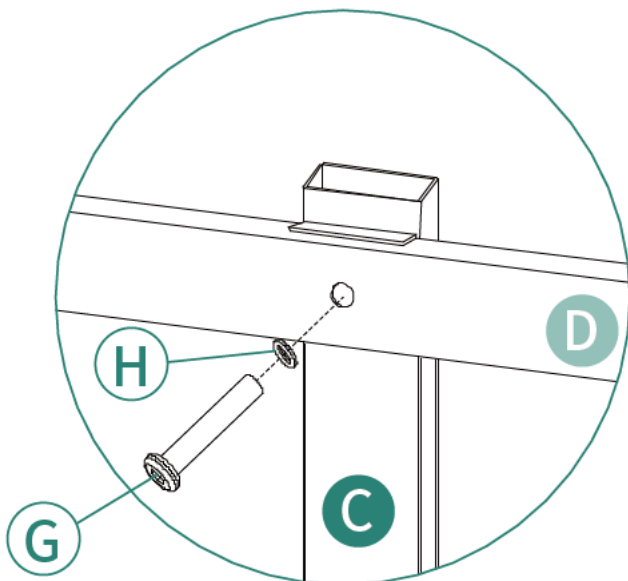
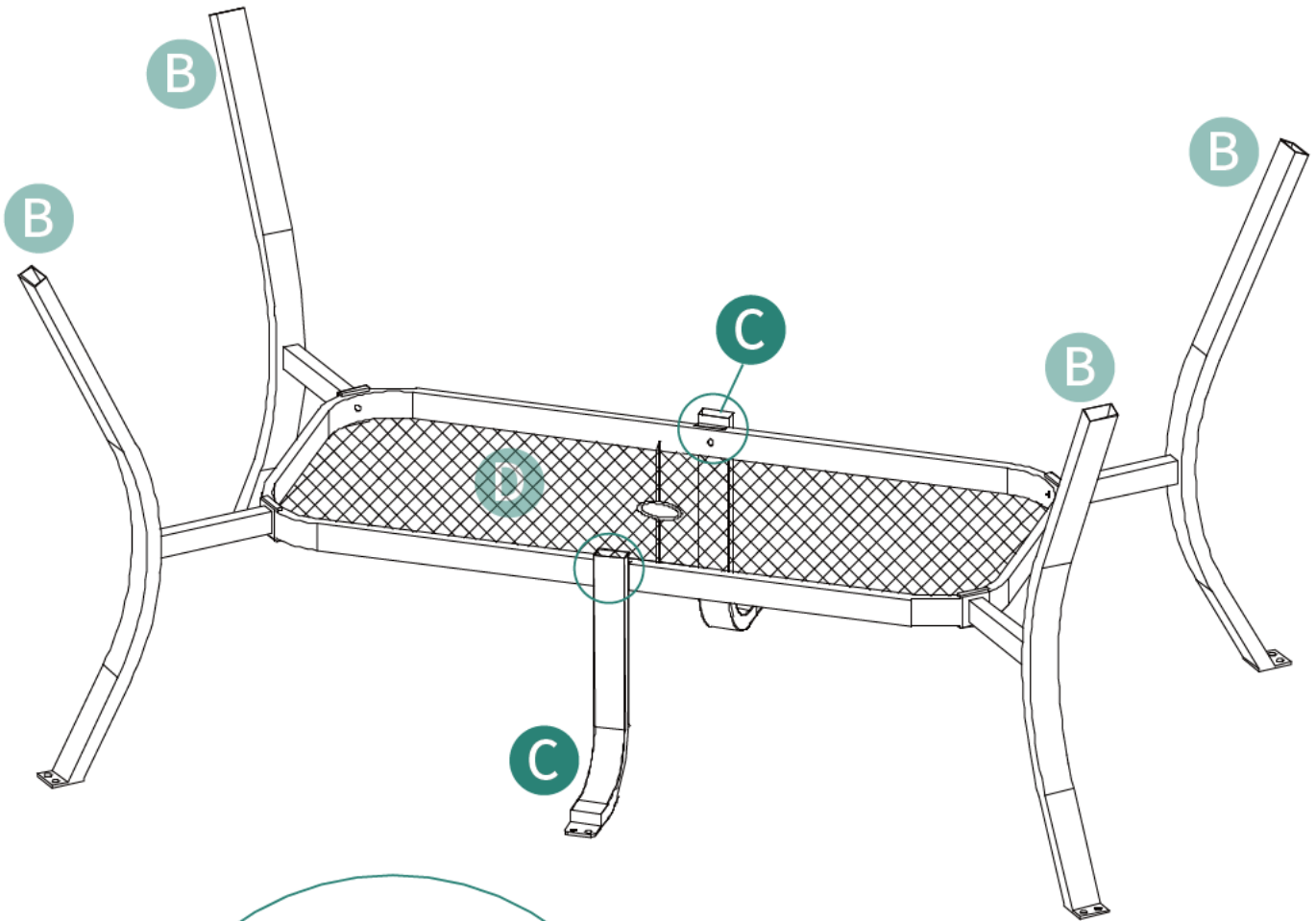
Ⓒ2pcs



Ⓖ2pcs



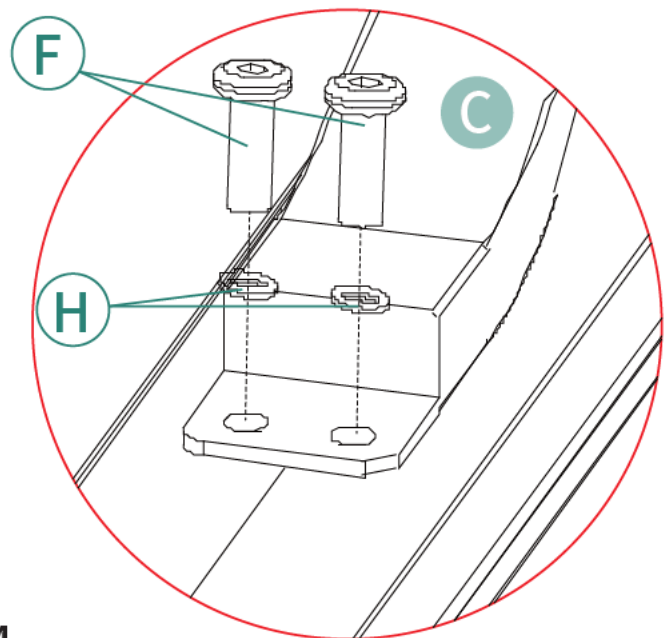
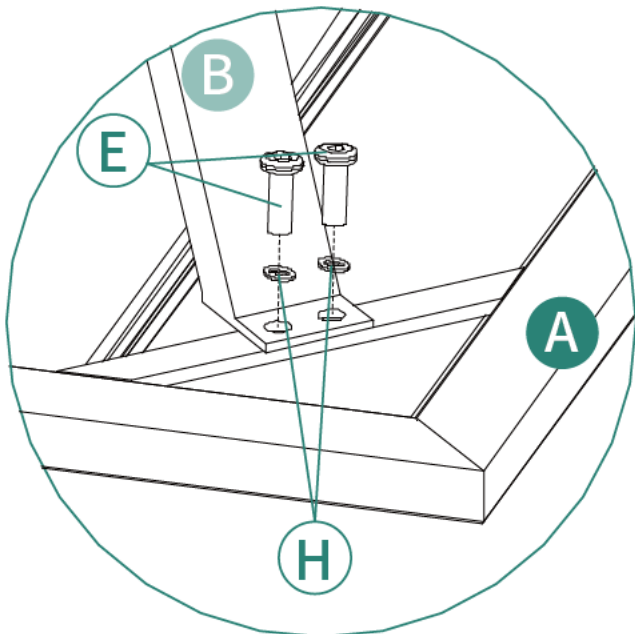
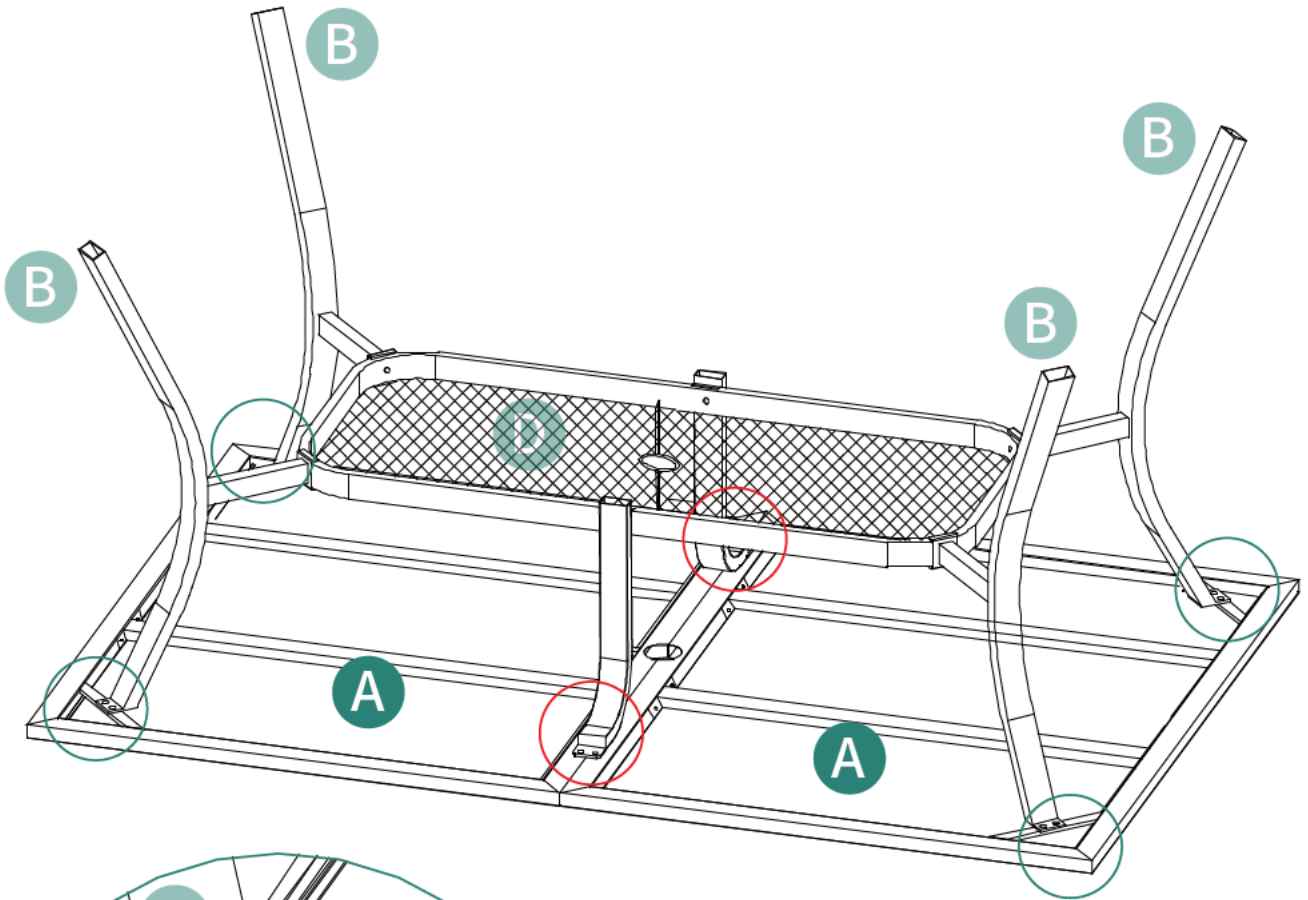
Ⓗ2pcs



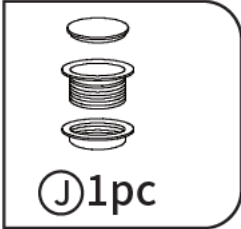
3



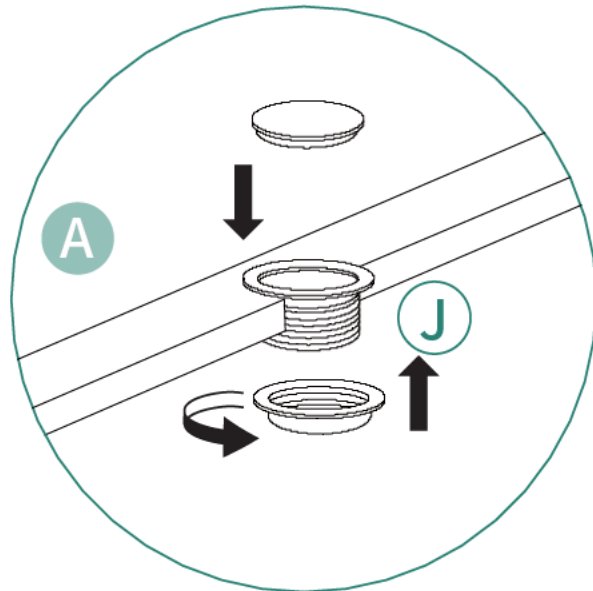
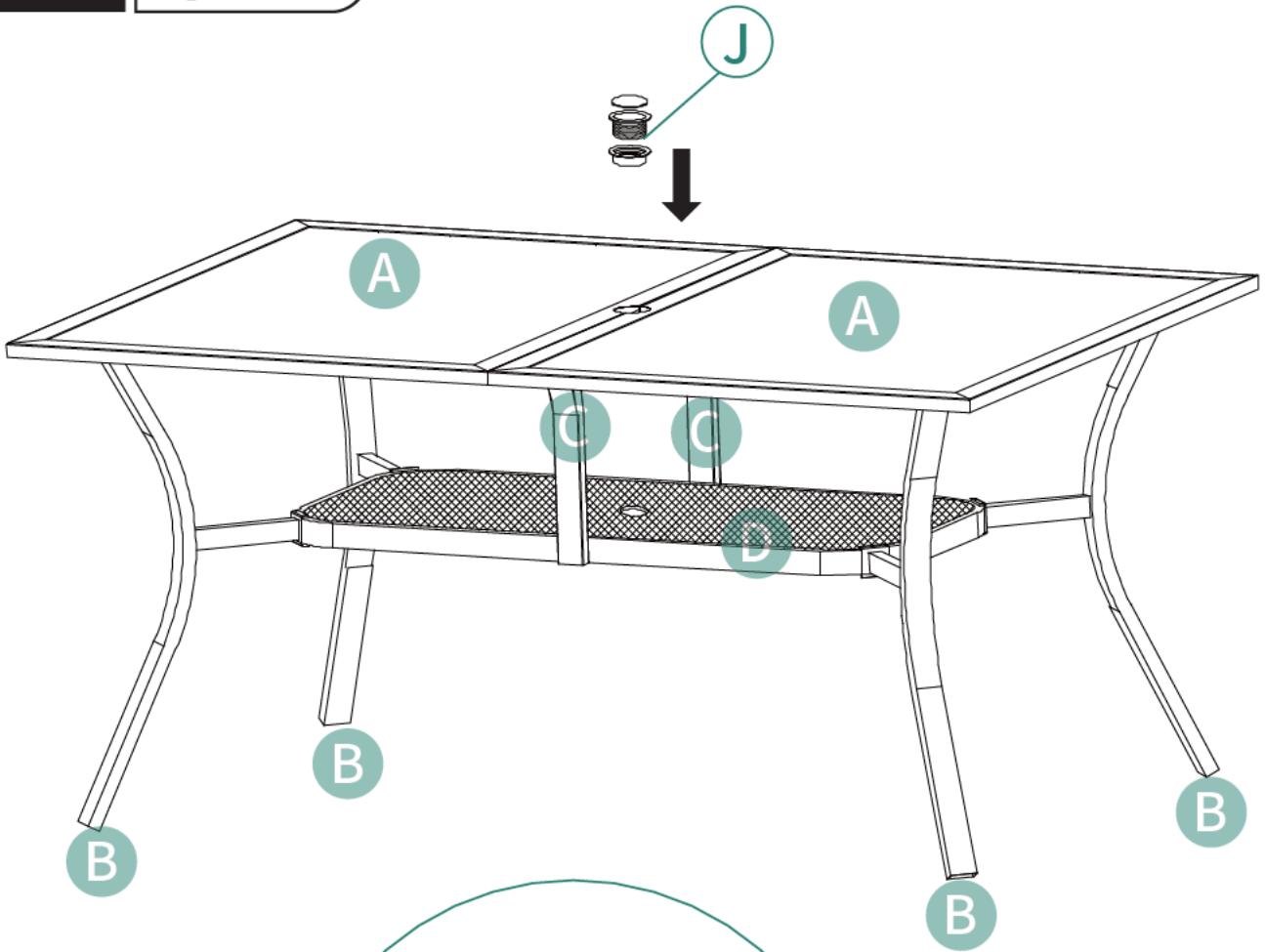
Ⓐ 2pcs Ⓔ 8pcs Ⓕ 4pcs Ⓖ 12pcs



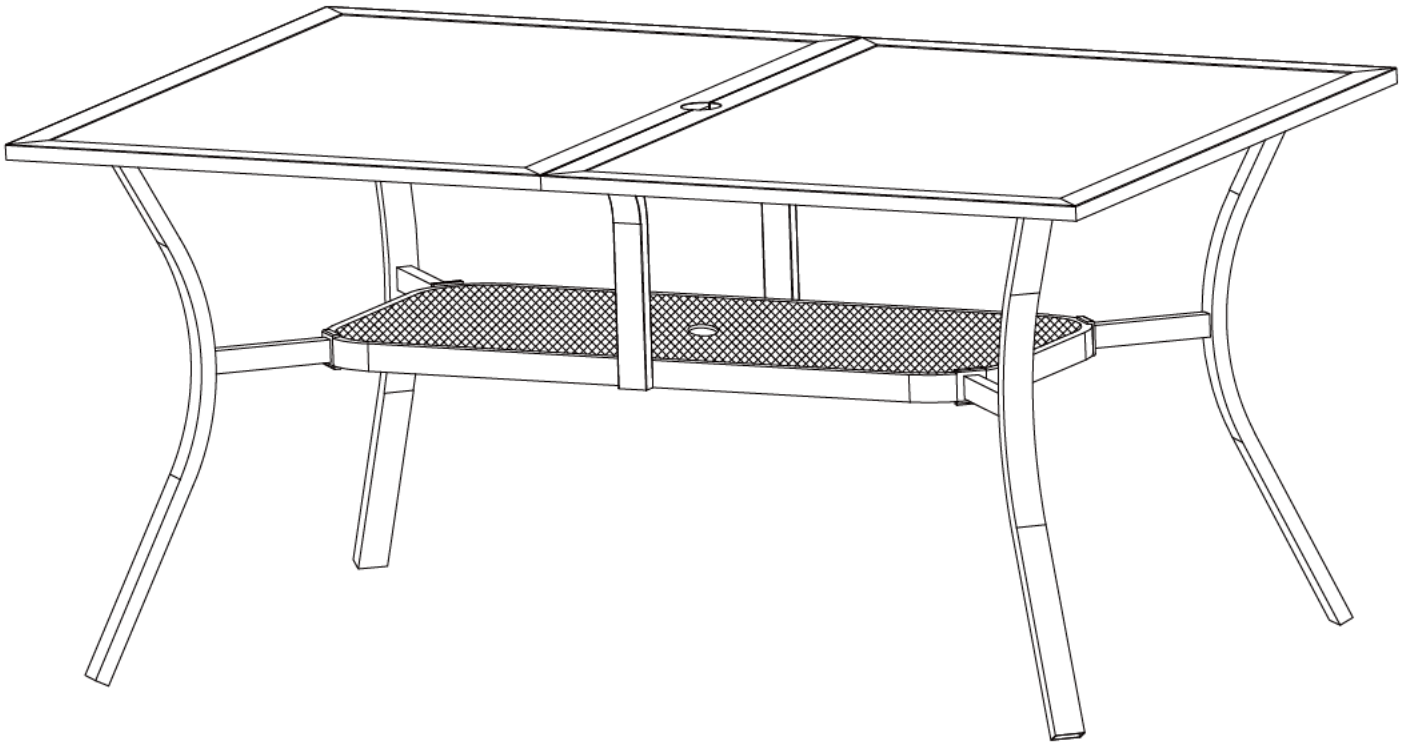
4



ⓐ 1pc



5



Installation Completed