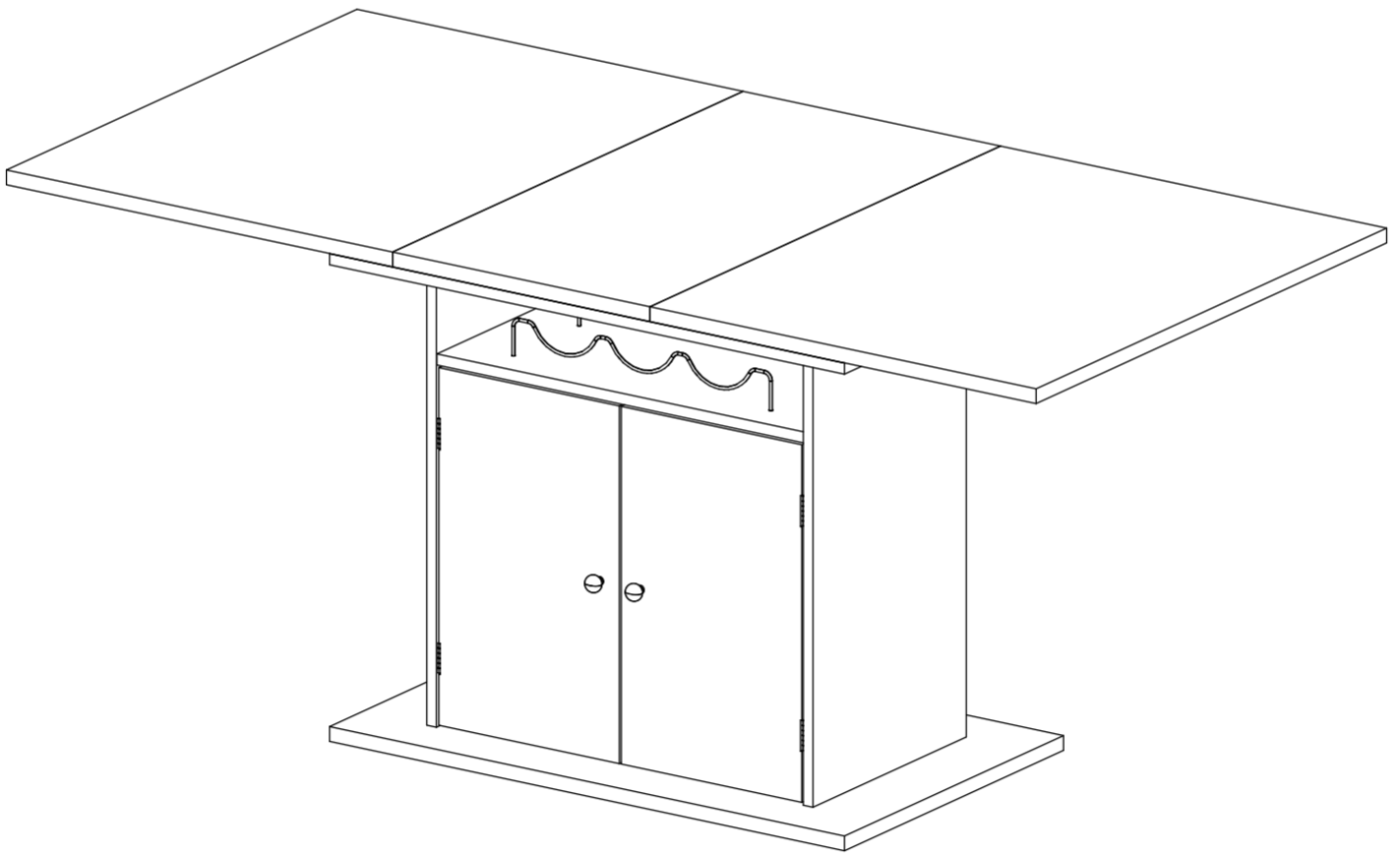


DINING TABLE

Assembly Instruction



Hi! Dear buyer, Thank you for choosing our products. Please carefully follow the assembly instructions below to ensure proper assembly and to avoid any potential issues.

Recommendations Before Beginning Assembly:

1. Read instructions, cover to cover
2. Check that you have all the necessary tools listed in the instruction manual.
3. Assemble on a clean non-marring surface.
4. Have at least 2-3 adults on hand for assembly.
5. Save all packaging until finished.
6. Keep small parts and tools away from children.

Assembly Notice:

- Lay out all the parts and hardware in an organized manner.
- Identify each part and match them with the corresponding labels in the manual.
- Assemble the product in the sequence specified to ensure stability.
- Do not overtighten screws during assembly as it may damage the parts or strip the threads.
- Double-check each step before proceeding to the next one.
- When you have completed assembly, we suggest you have more than one person to assist you with lifting and placing the product.

**** What should you do when you encounter problems?**

Don't Worry—We'll Take Care of Everything!

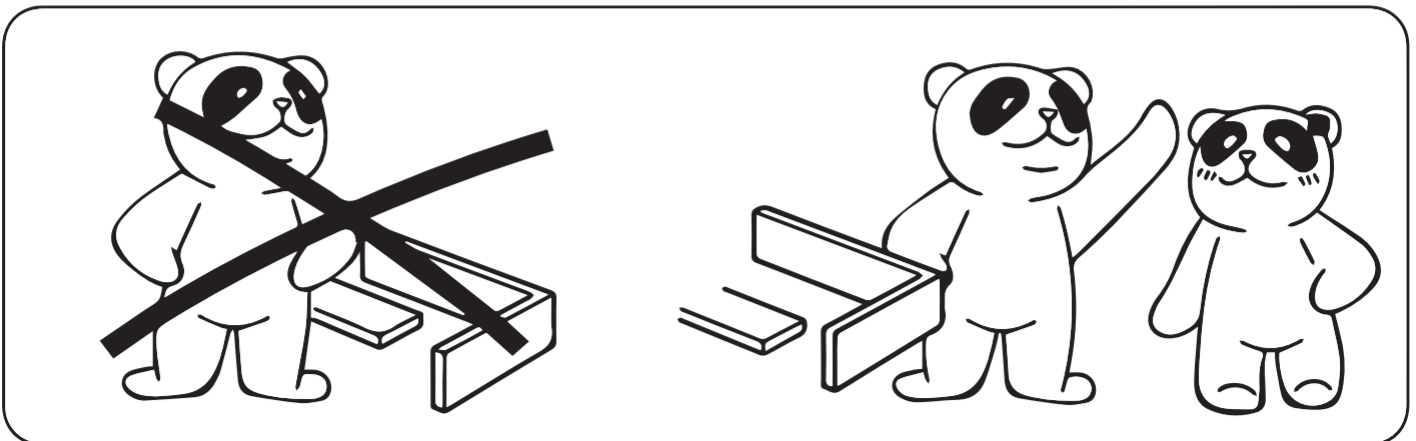
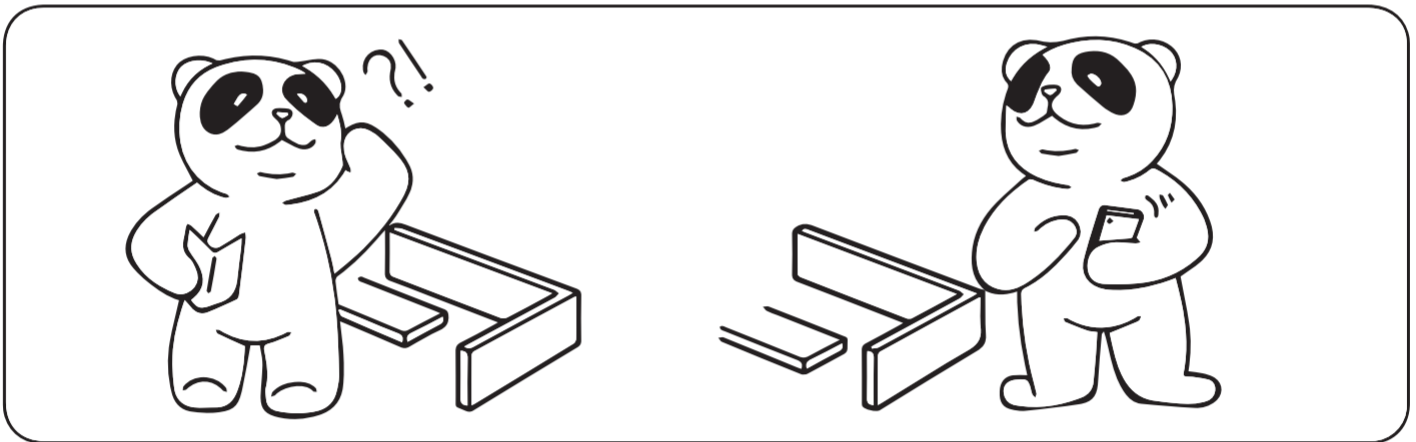
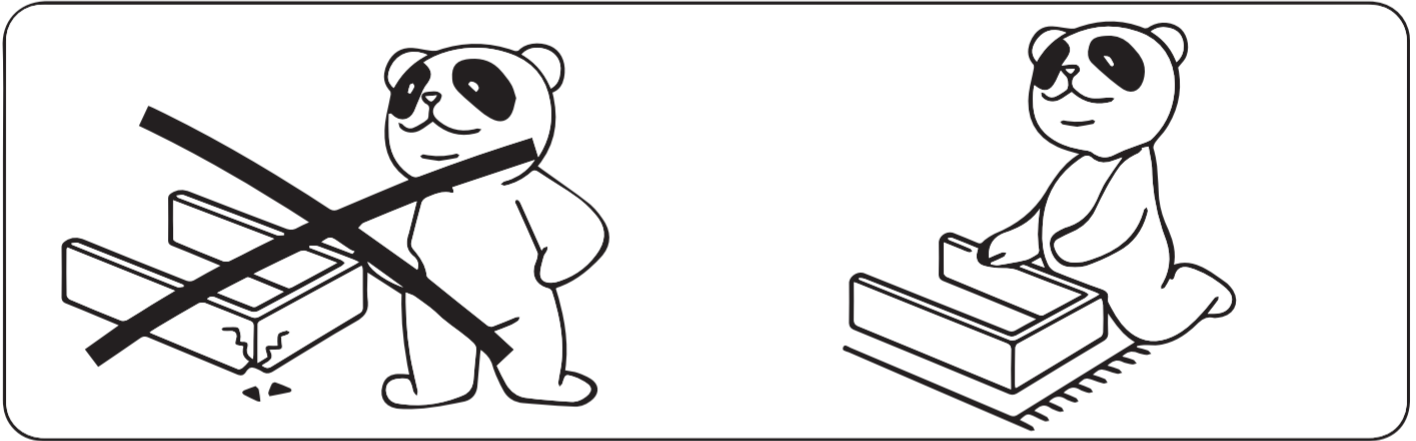
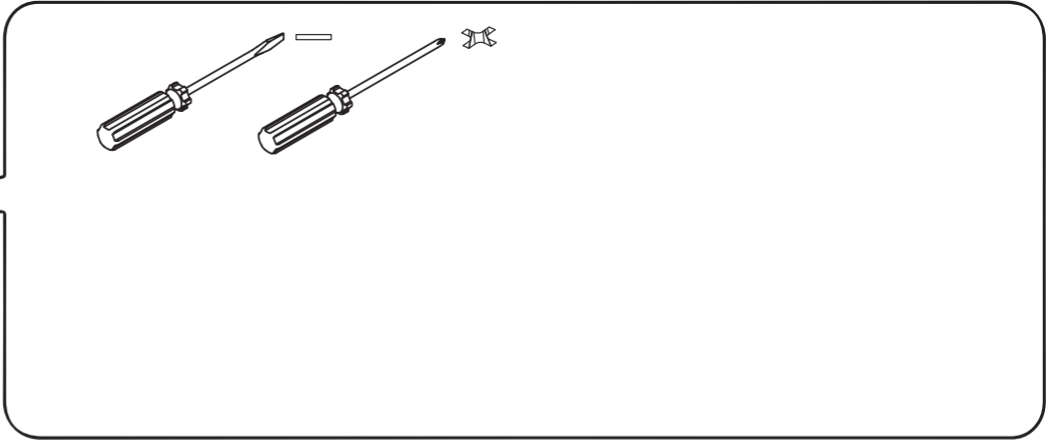
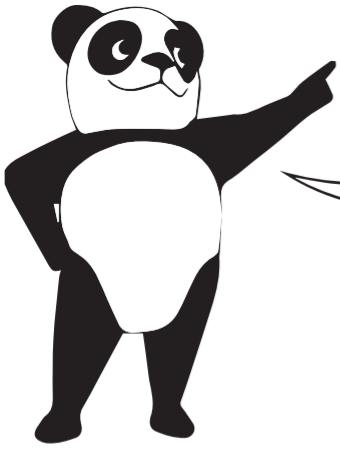
If you encounter any difficulties (e.g., missing parts, damaged parts, unsuccessful assembly, etc.) during assembly, do not hesitate to contact the seller directly. The after-sales team will get back to you within 24 hours.

- If the product is damaged or missing any components, we are happy to provide replacement parts or a new product at no cost to you.
- To assist us in resolving your issue quickly, please contact our support team and provide clear photos of the damaged item or missing parts. This will help us identify the problem accurately and ensure a prompt solution. √√





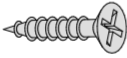

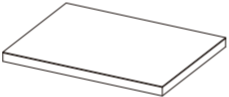
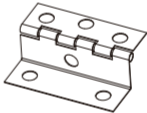


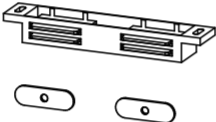
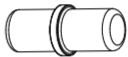

**** Return Policy**

IMPORTANT NOTICE: Dear, If you encounter any issues with the product (quality-related or otherwise) that may require a refund or exchange, there is no need to initiate a return immediately. Please contact the seller directly, and in most cases, we can resolve the issue without requiring you to return the item. Thank you!

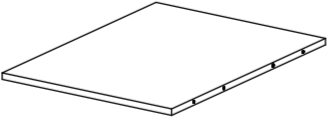
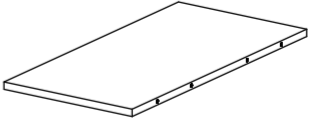
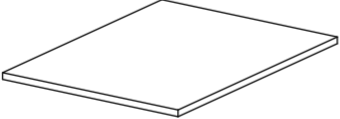


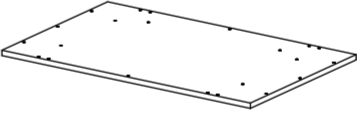



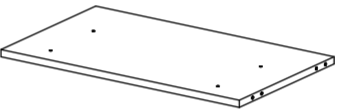
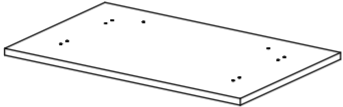
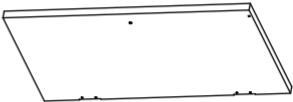
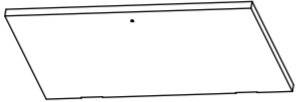
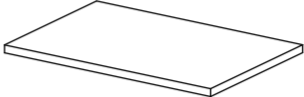


We hope these instructions help you successfully assemble the product. If you have any further questions or concerns, please feel free to contact the seller for assistance. Enjoy your new furniture!

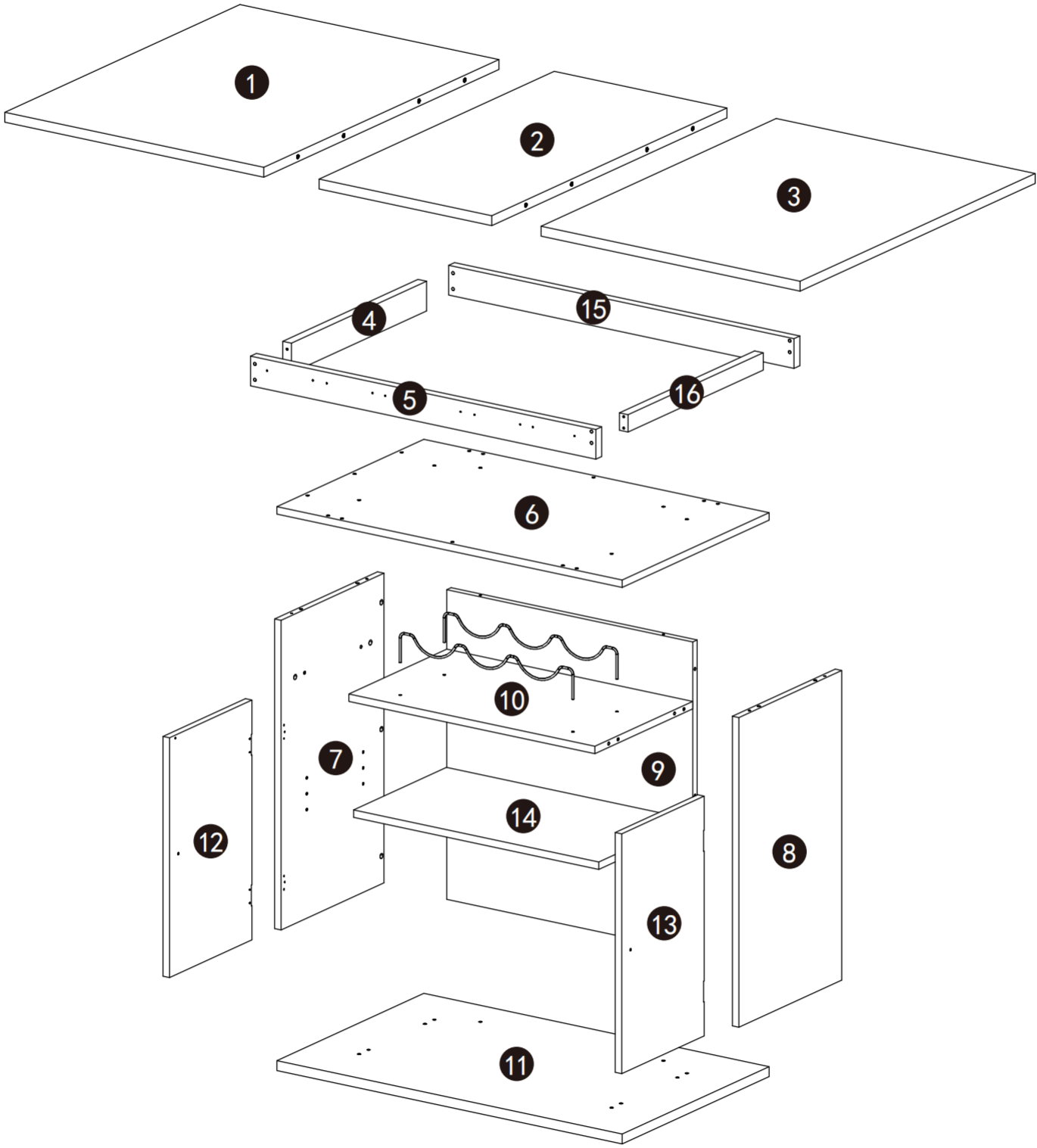


Installation Parts

Item no.	Reference Image	Qty.	Item no.	Reference Image	Qty.
A	 6x35	x10	B	 15x11	x10
C	 80CM	x2	D	 8x30	x17
E	 M3.5x12	x24	F	 M5x40	x28
G		x8	H	 Hinge	x4
I		x2	J		x2
K		x1	L		x4
M		x84			

Mounting Frame

Item no.	Reference Image	Qty.	Item no.	Reference Image	Qty.
1		x1	2		x1
3		x1	4		x1
5		x1	6		x1
7		x1	8		x1
9		x1	10		x1
11		x1	12		x1
13		x1	14		x1
15		x1	16		x1



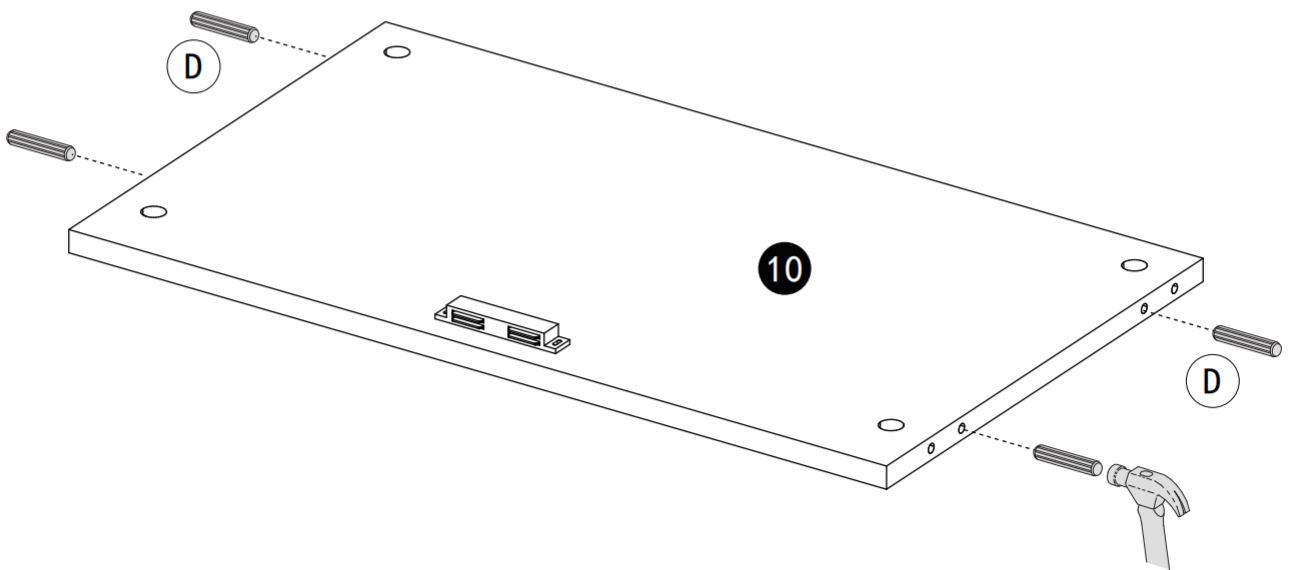
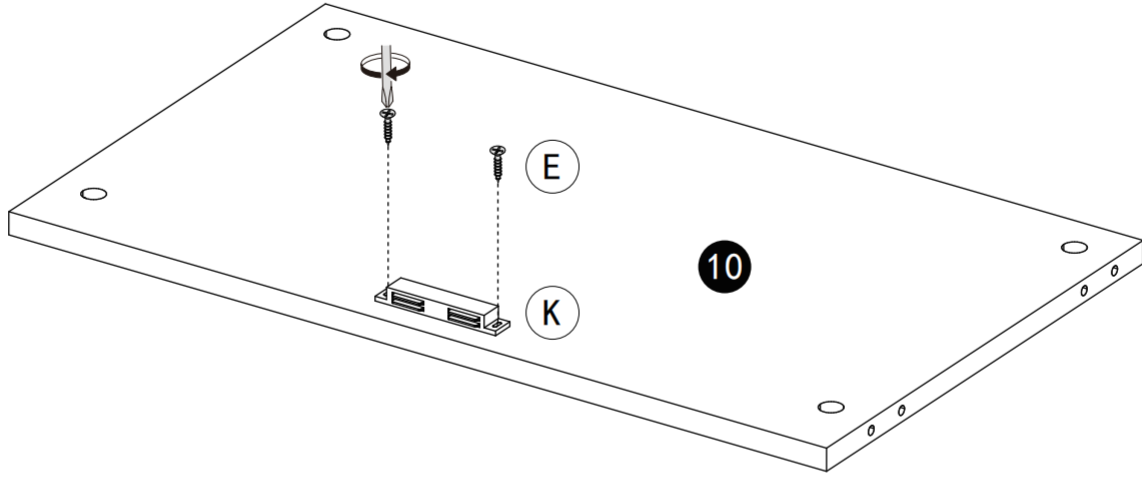
1

YOU WILL NEED

K x1

E x2

D x4



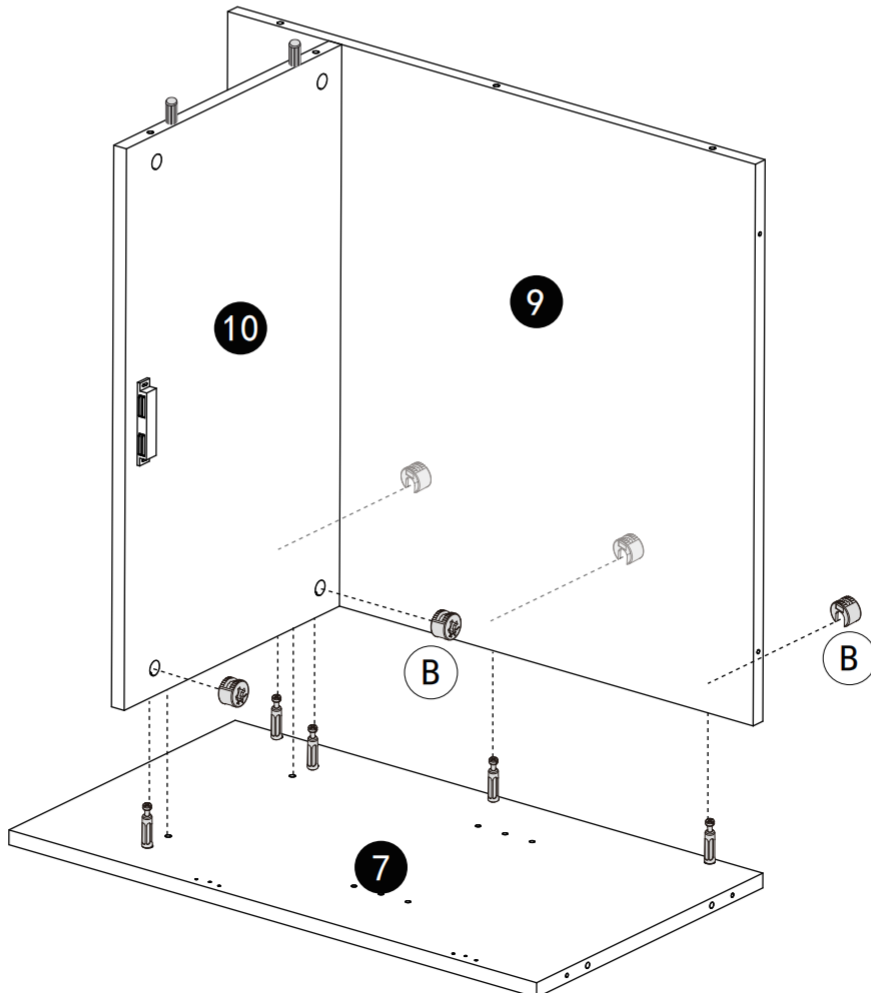
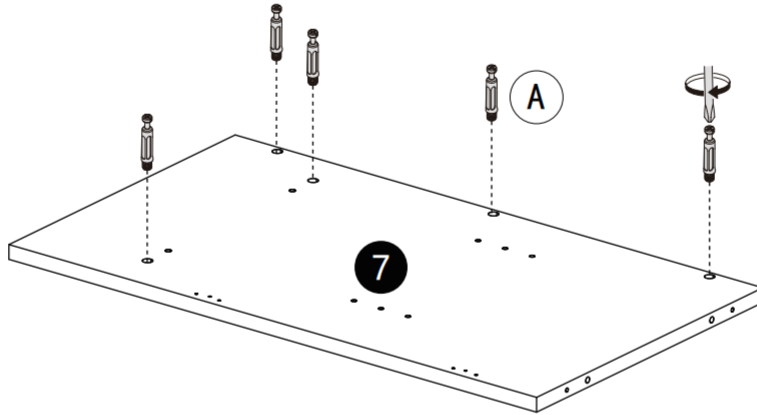
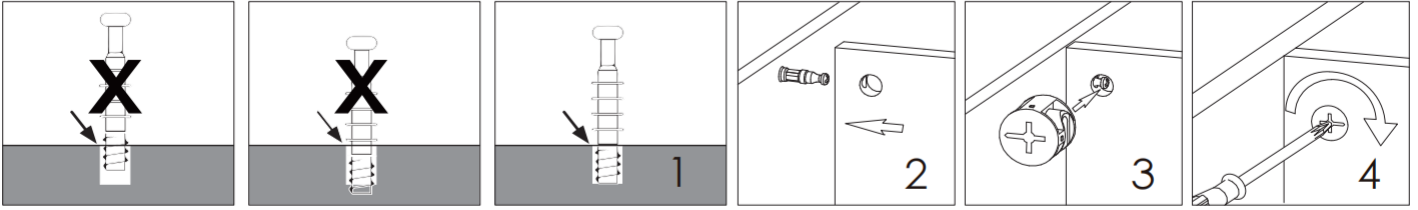
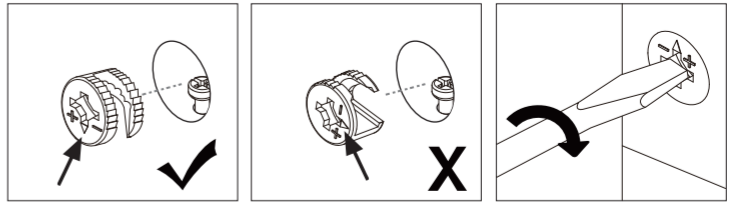
2

YOU WILL NEED

A x5

B x5

Installation method of three in one rod and buckle



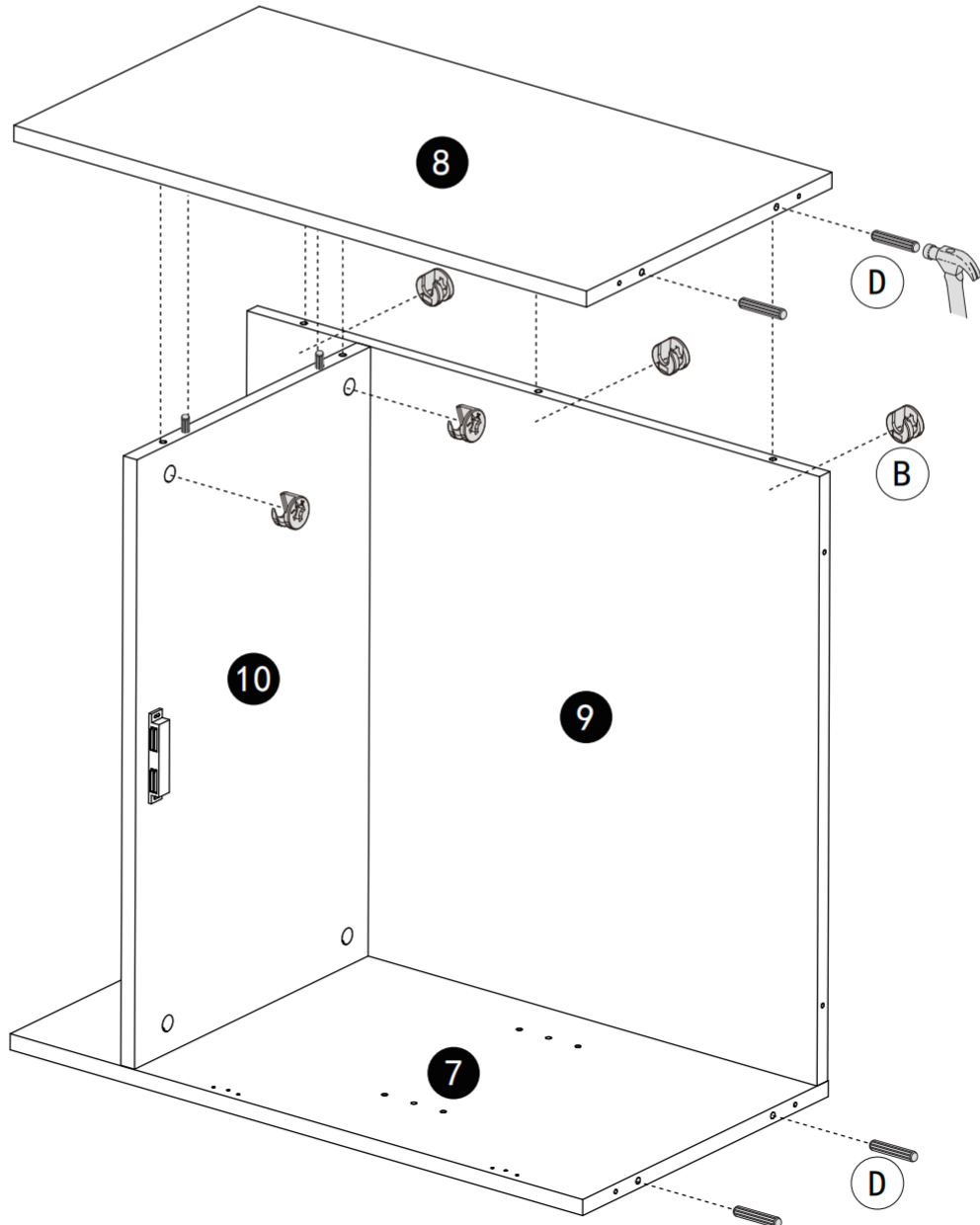
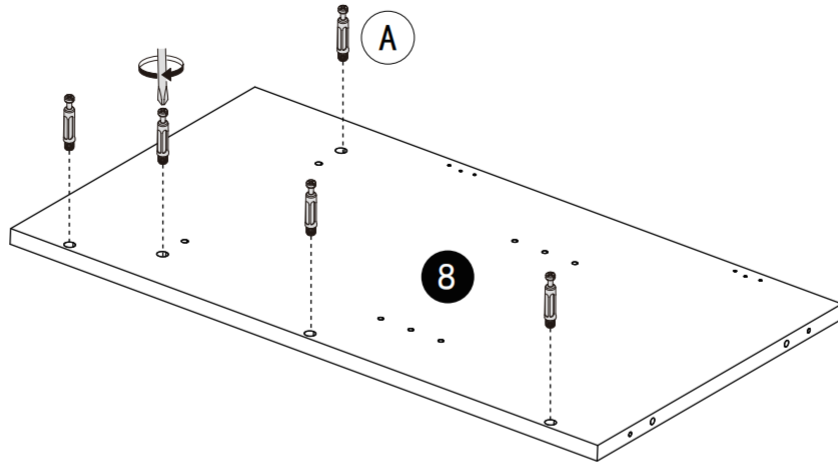
3

YOU WILL NEED

A x5

B x5

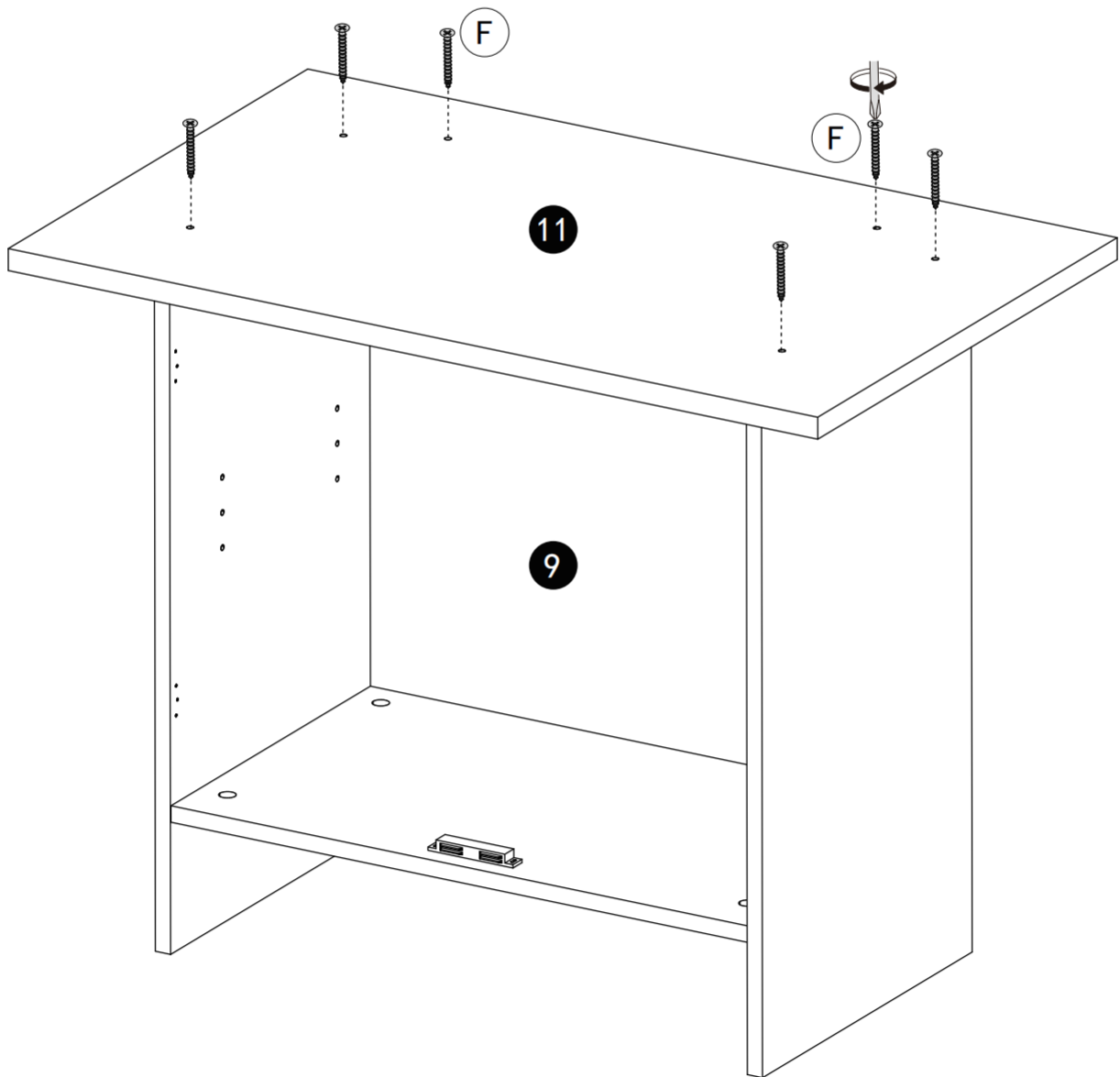
D x4



4

YOU WILL NEED

F x6

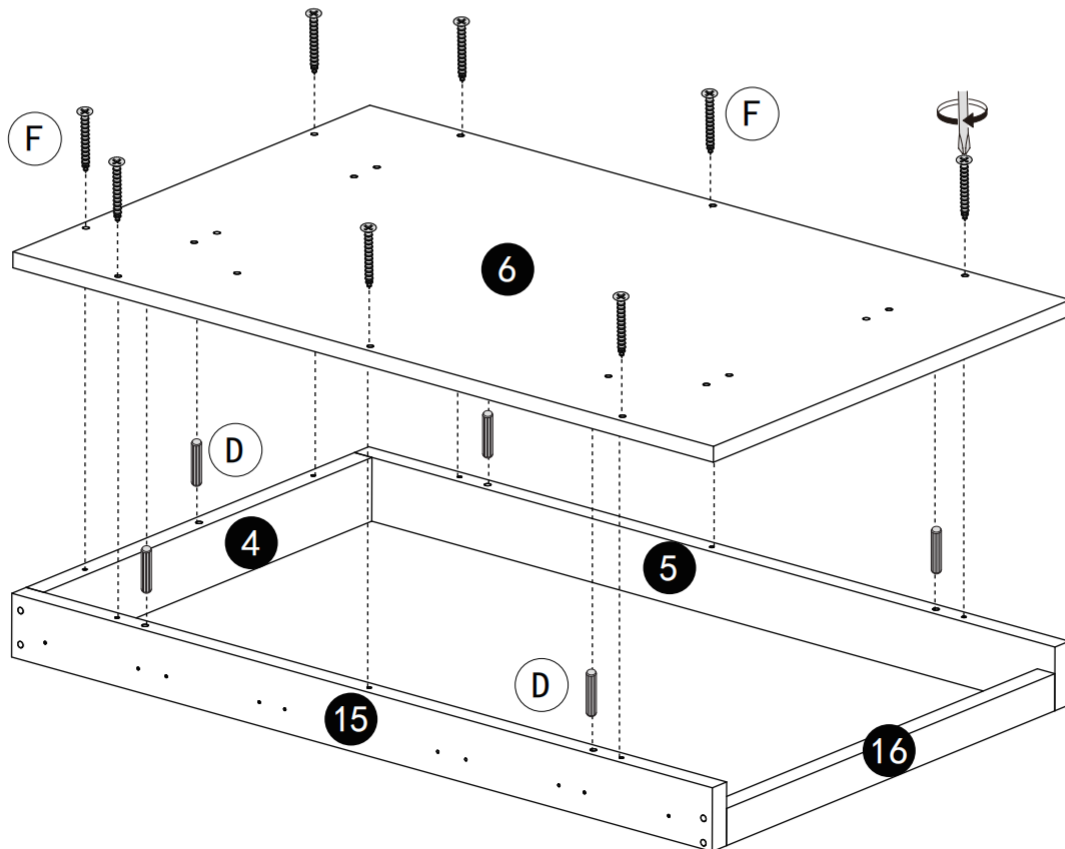
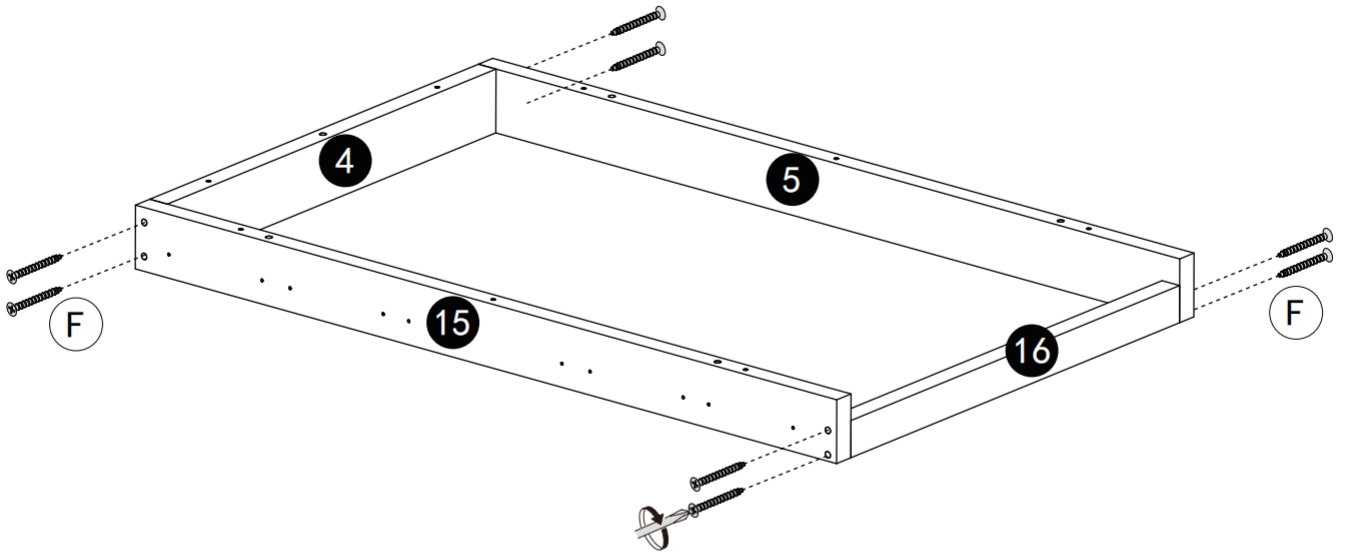


5

YOU WILL NEED

F x16

D x5

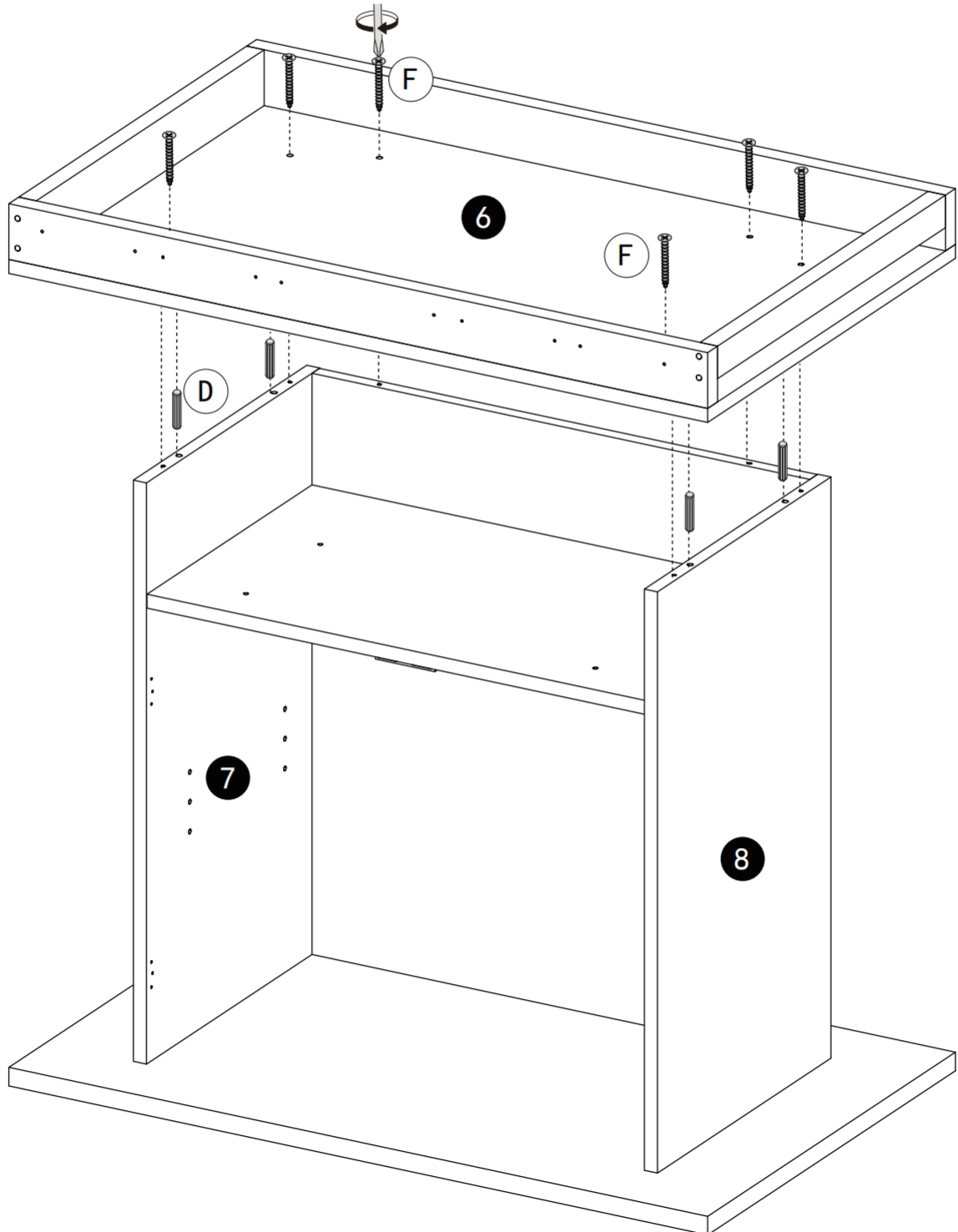


6

YOU WILL NEED

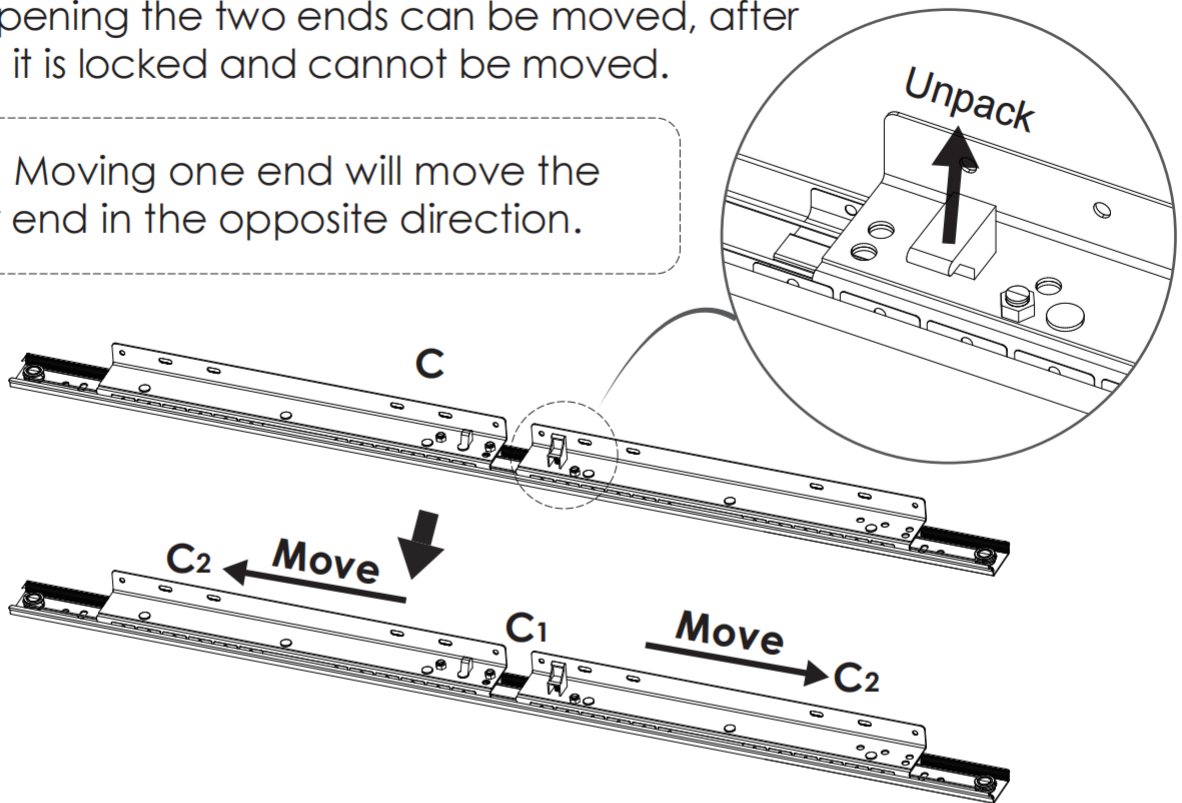
F x6

D x4



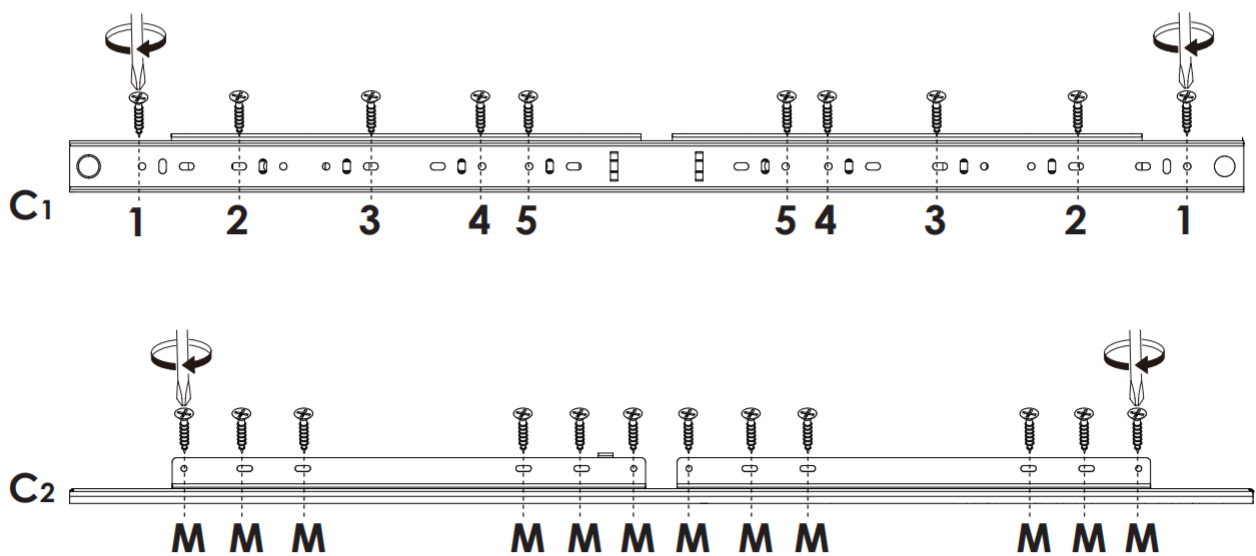
Press the plastic switch in the direction indicated to make it open, after opening the two ends can be moved, after closing it is locked and cannot be moved.

Note: Moving one end will move the other end in the opposite direction.



REMARK:

1. Align the C1 hole of connector C with the positioning hole on the board. There are positioning holes on the board at positions 1 to 5. Those without locating holes should also be installed.



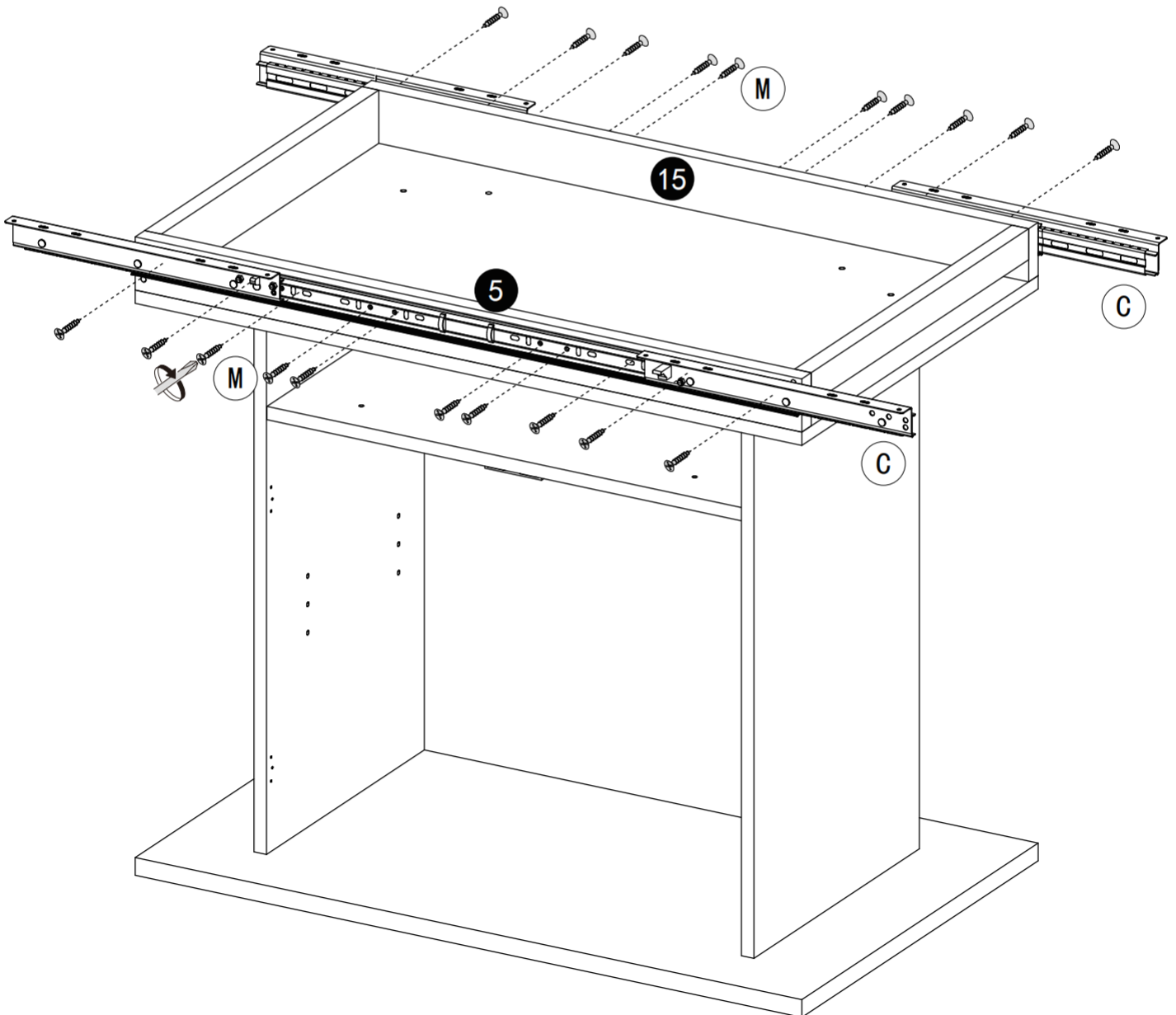
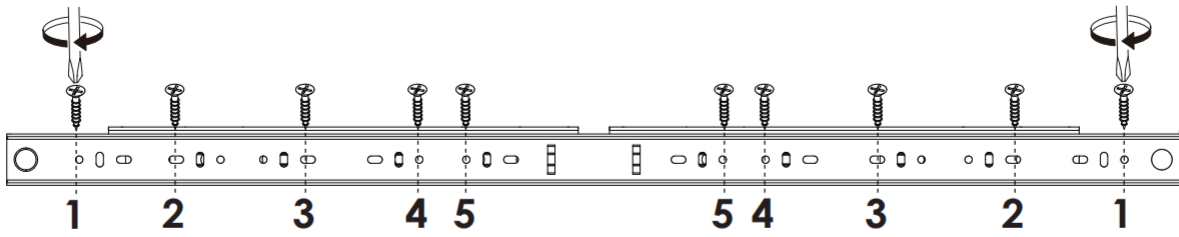
2. When the C2 position is installed, there are positioning holes on the plate in position M,

8

YOU WILL NEED

C x2

M x60

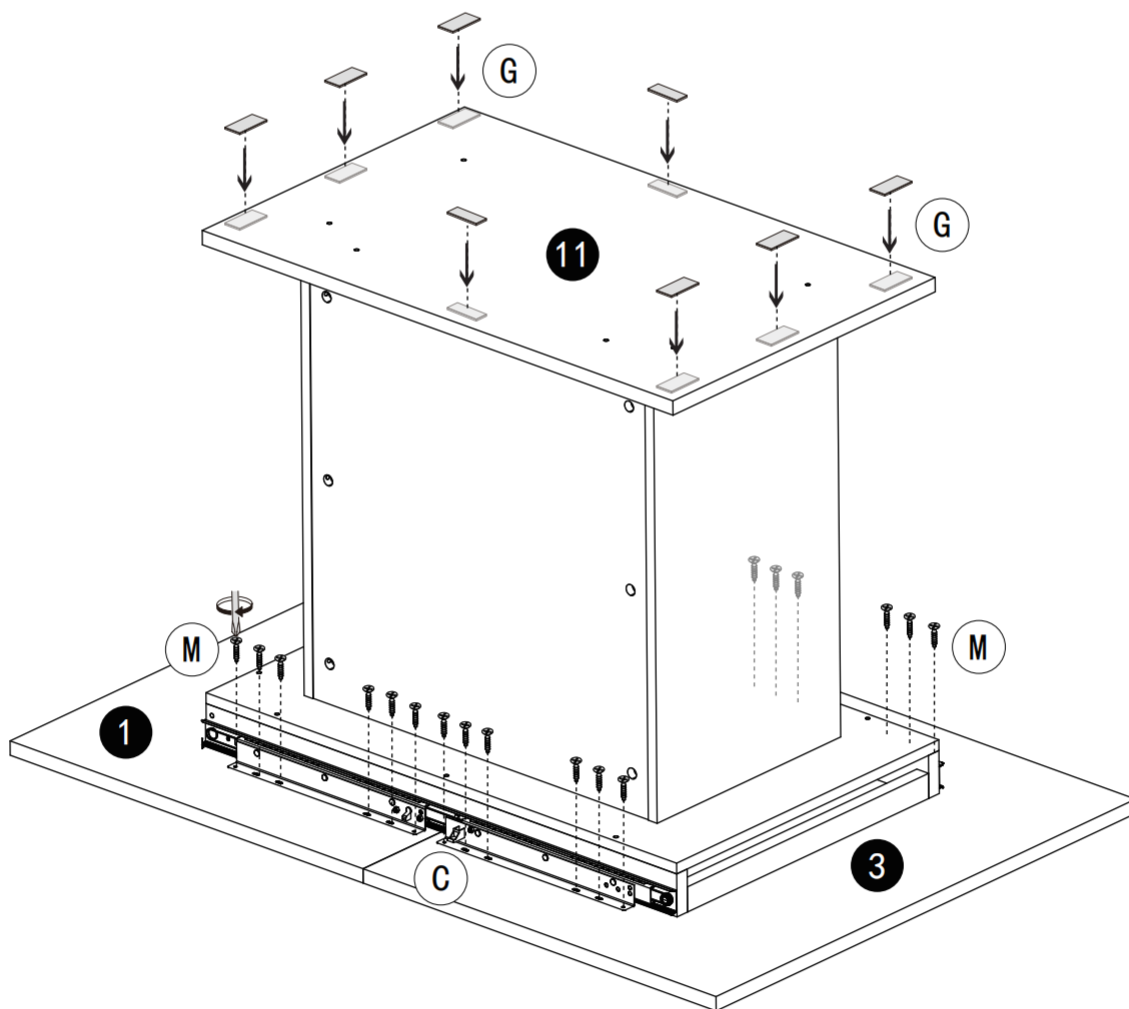
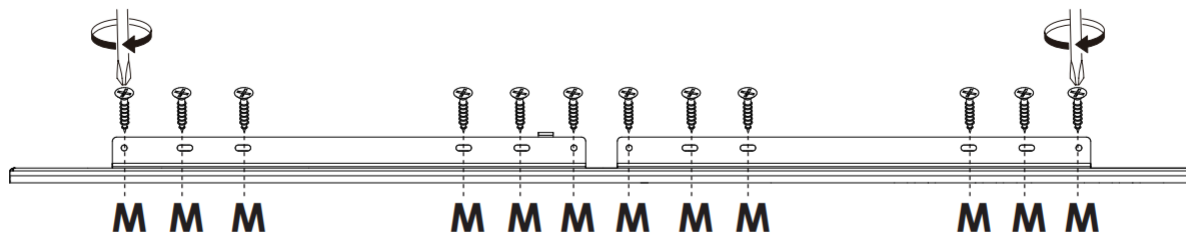


9

YOU WILL NEED

G x8

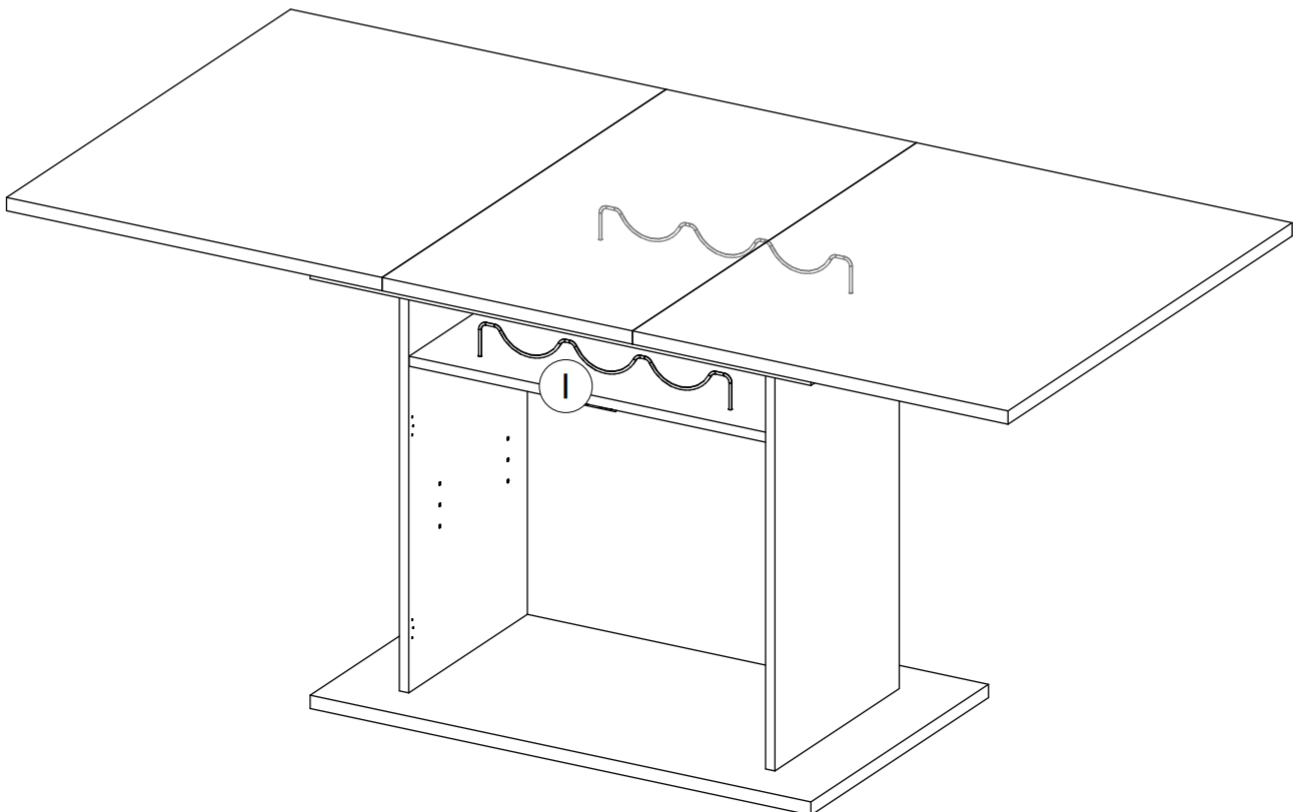
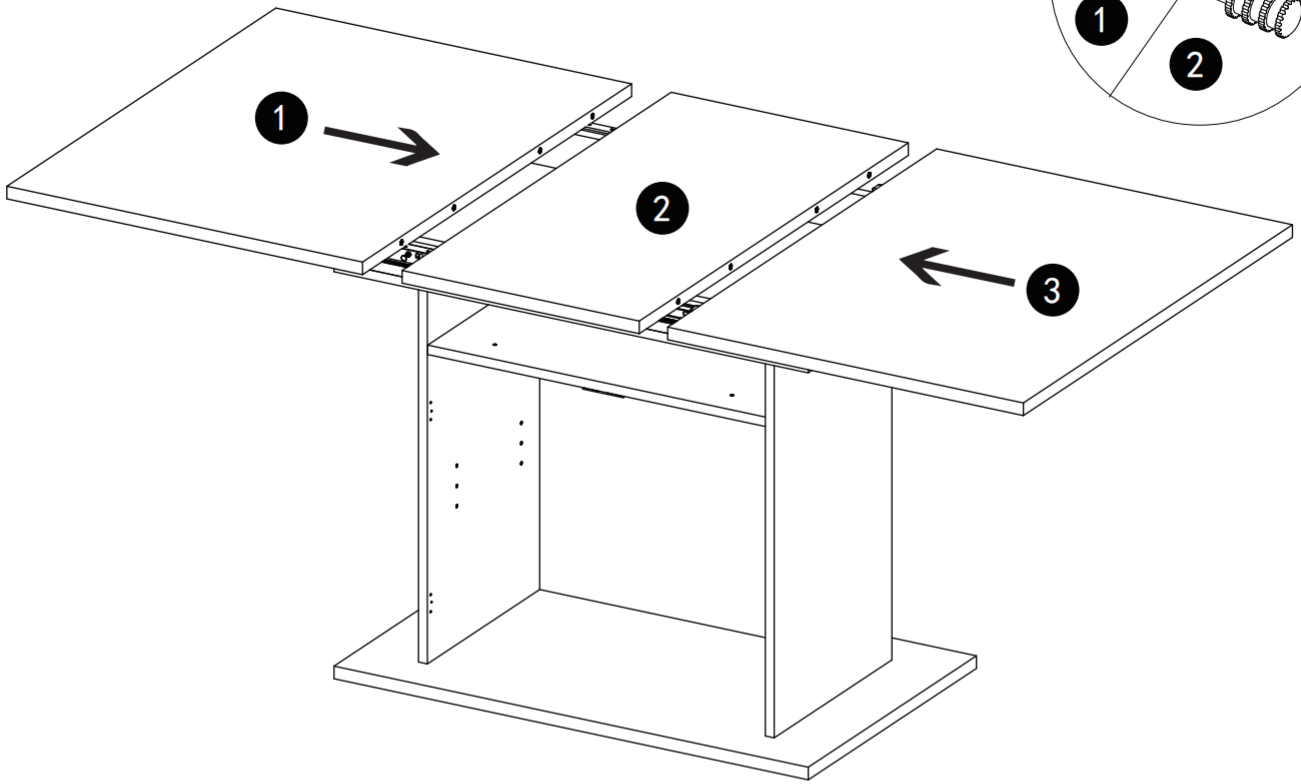
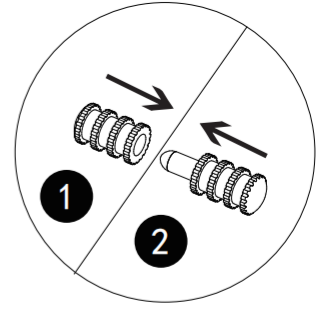
M x24



10

YOU WILL NEED

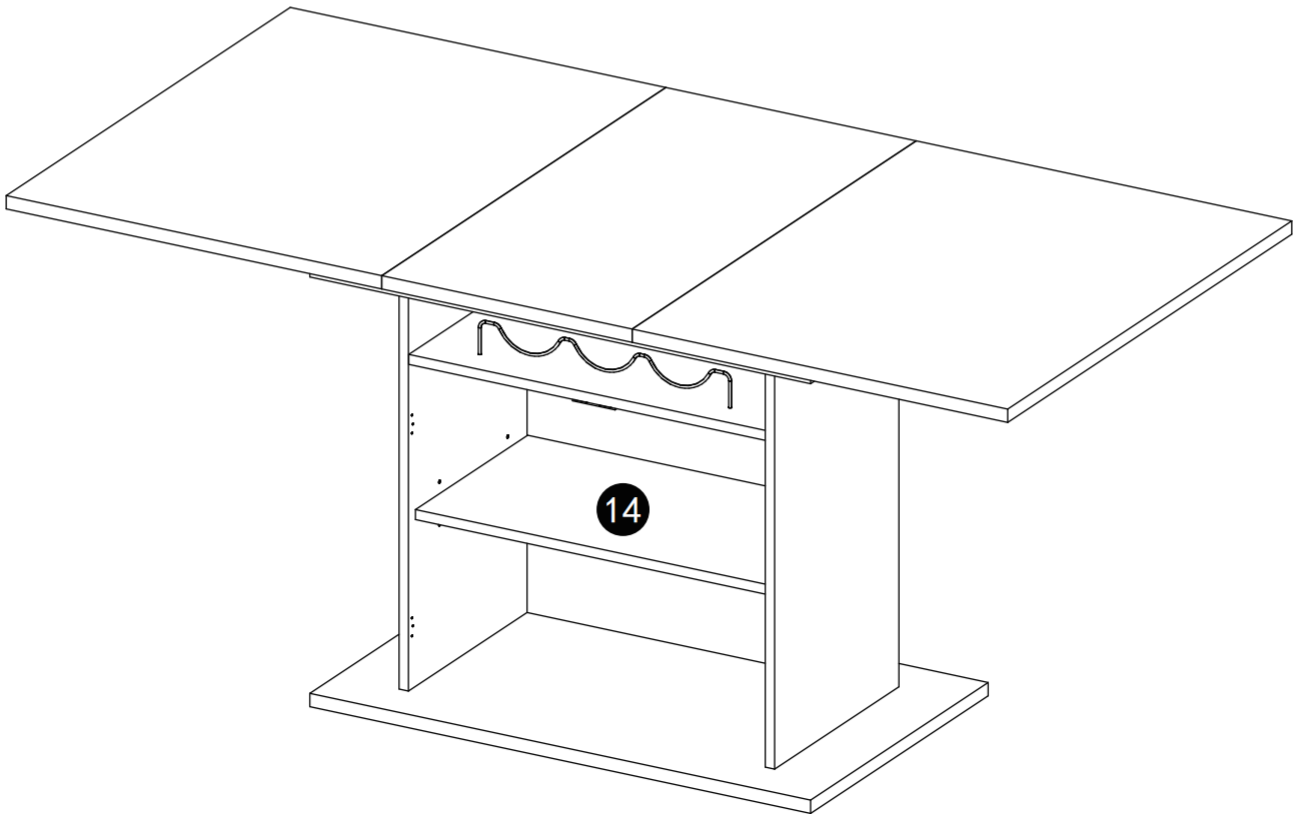
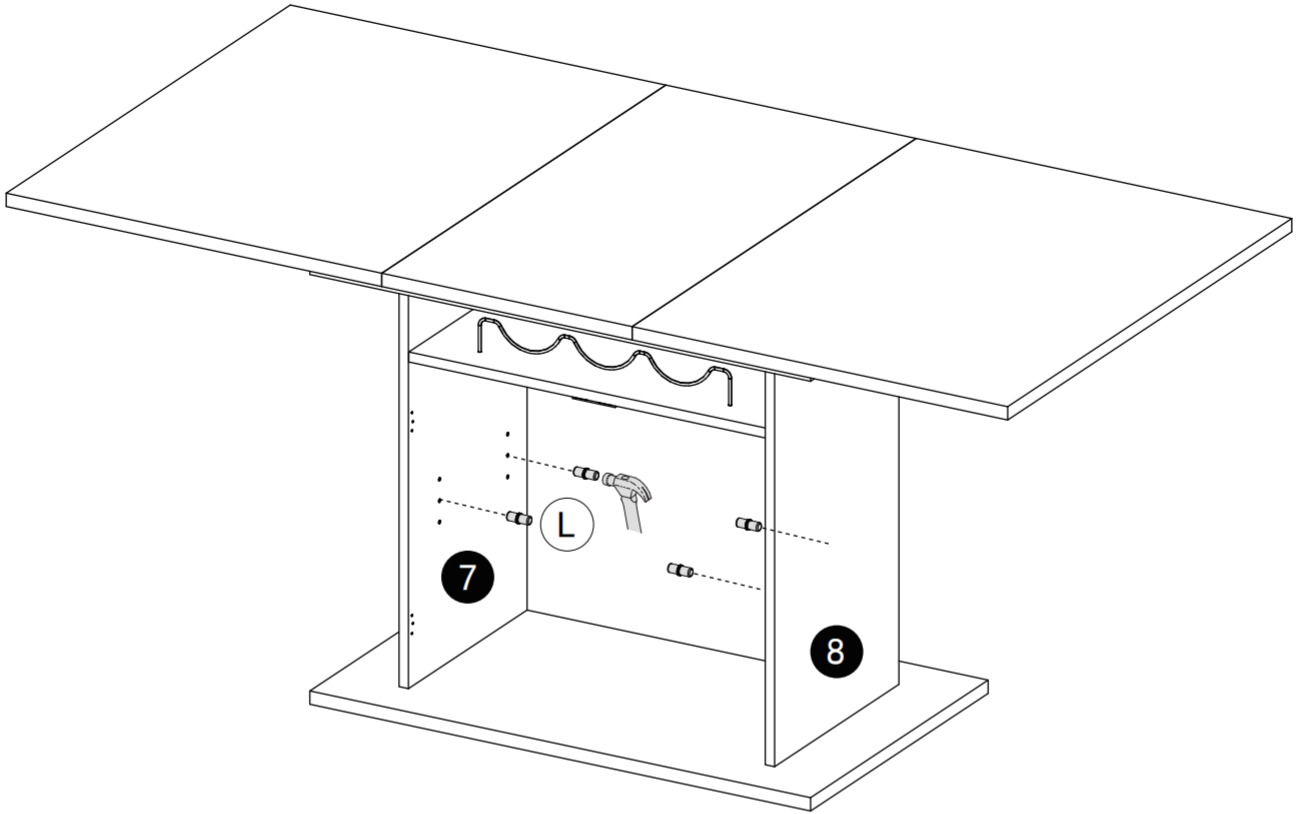
I x2



11

YOU WILL NEED

L x4

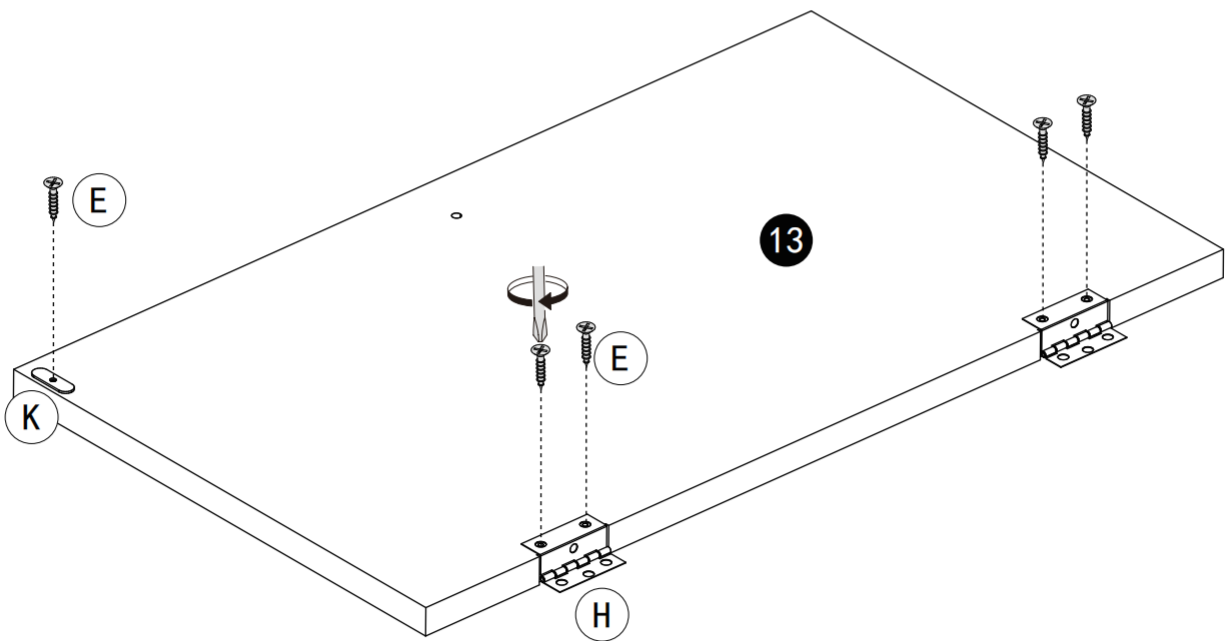
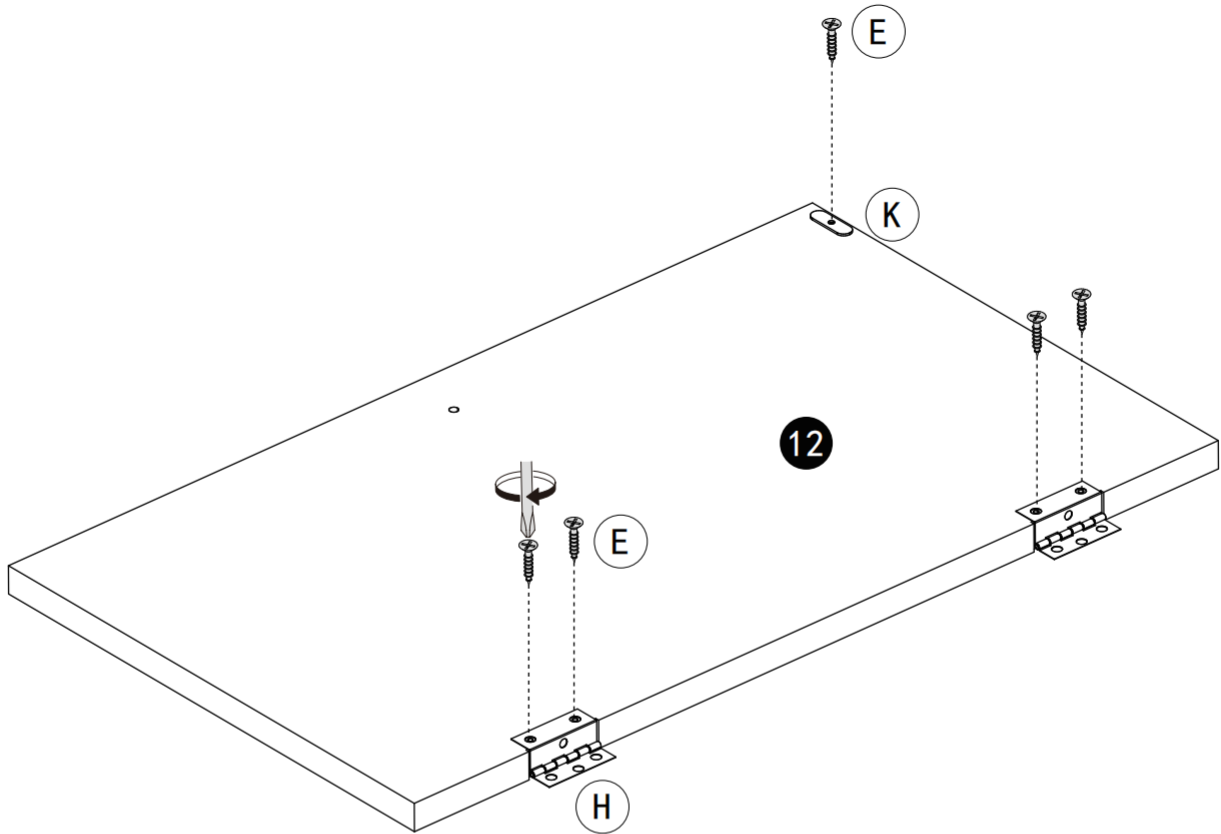


YOU WILL NEED

E x10

H x4

K



13

YOU WILL NEED

J x2

E x12

