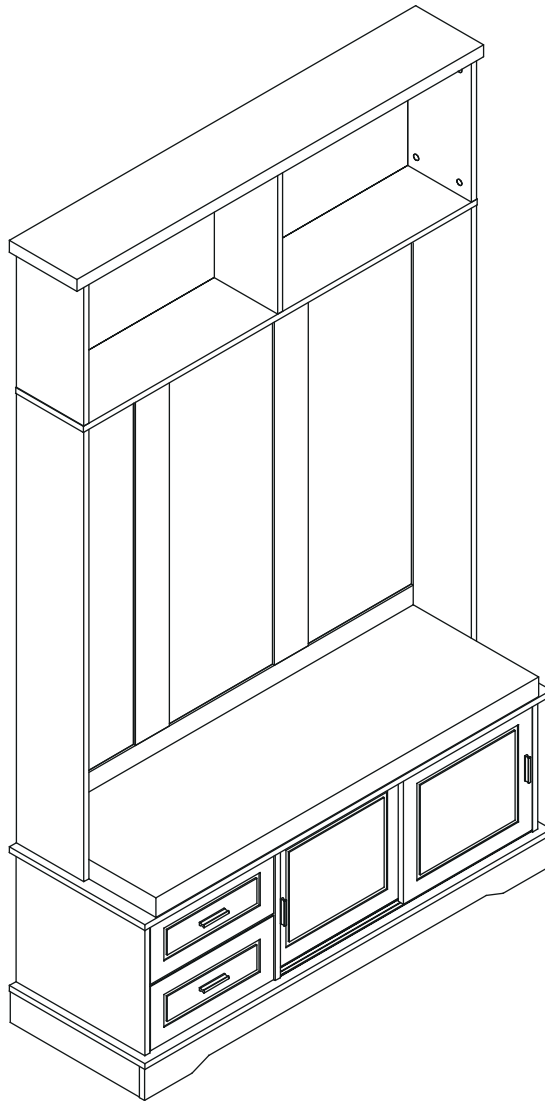


Hall Tree

Assembly Instructions - Please keep for future reference



Dimensions

Width-47.2inch

Depth-15.7inch

Height-78.7inch

Important – Please read these instructions fully before starting assembly



Safety and Care Advice

Important – Please read these instructions fully before starting assembly

- Check you have all the components and tools listed on the following pages.
- Remove all fittings from the plastic bags and separate them into their groups.
- Keep children and animals away from the work area, small parts could choke if swallowed.
- Make sure you have enough space to layout the parts before starting.

- During assembly do not stand or put weight on the product, this could cause damage.
- Assemble the item as close to its final position (in the same room) as possible.
- Assemble on a soft level surface to avoid damaging the unit or your floor.
- Parts of the assembly will be easier with 2 people.



power drill is set on a low torque setting.

- To reduce the likelihood of damaging your product please ensure that your

Care and maintenance

- Only clean using a damp cloth and mild detergent, do not use bleach or abrasive cleaners.
- From time to time check that there are no loose screws on this unit.
- This product should not be discarded with household waste. Take to your local authority waste disposal centre.

Handy Hints

- Assemble all parts and bolts loosely during assembly, only once the product is complete should you fully tighten the bolts
- Regularly check and ensure That all bolts and fittings are tightend properly.

WARNING

In order to help prevent overturning – please follow these instructions

To help prevent product toppling over please follow the below steps:-

- Use the anti tip stap or wall fixing method provided (if applicable)
- Do not allow children to climb or hang on the furniture
- Do not open more than one drawer at a time
- Do not place heavy items in the top drawers
- Do not place heavy items on top of the furniture, unless the furniture has been designed for this purpose

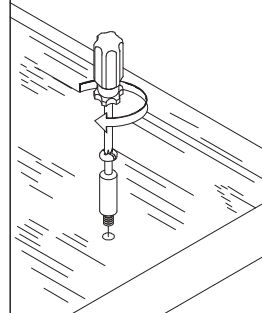
Using Camlocks

Step 1

Connect the male camlock as directed in the assembly instructions using a screwdriver.

1

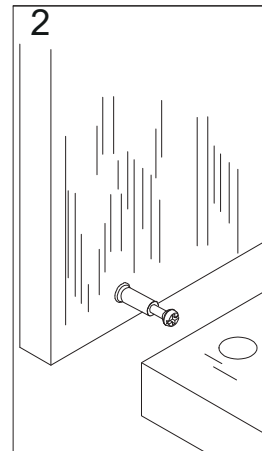
DO NOT OVER TIGHTEN.
NE PAS SERRER EXCESSIVEMENT.



Step 2

Push the male camlock into the entry hole.

2

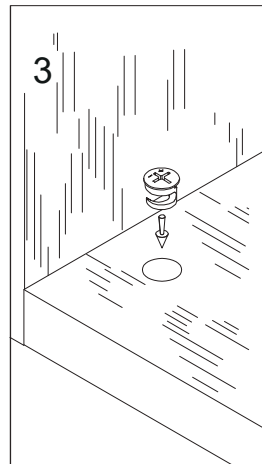


Step 3

Insert the female camlock as shown in the instruction.

Note: ensure that the arrow on the top of the camlock points towards the entry hole for the male camlock.

3



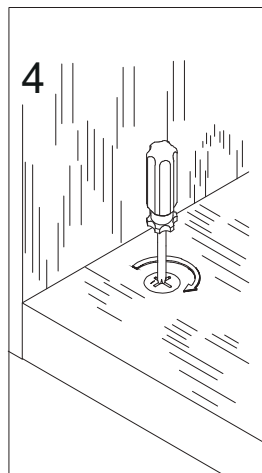
Step 4

Turn the female camlock clockwise with a screwdriver.

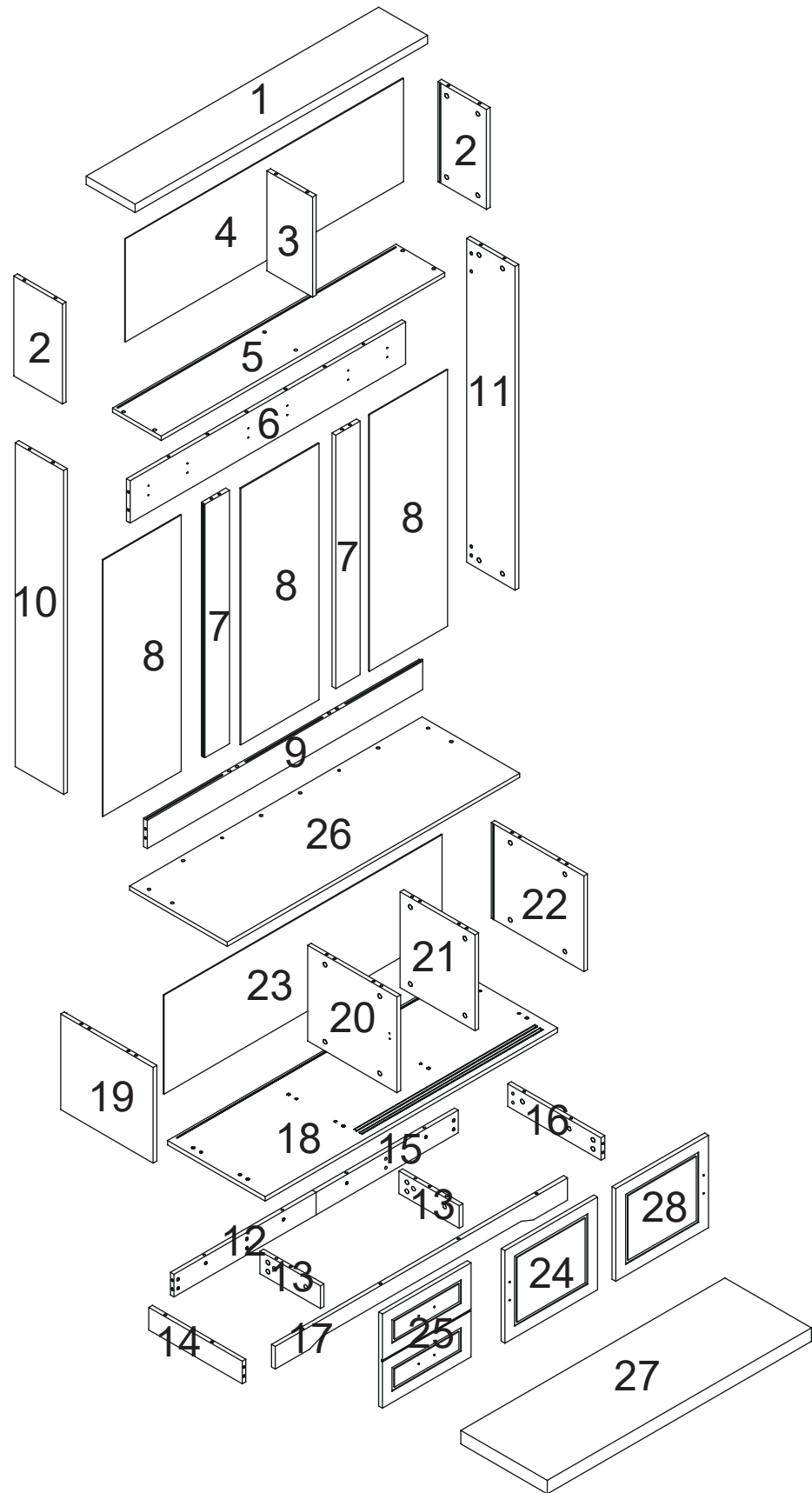
You should feel a click when the camlock is locked in place.

The joint is now secure.

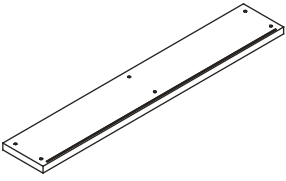


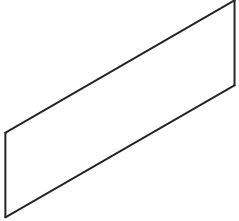
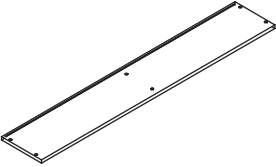
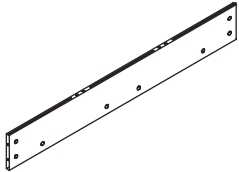


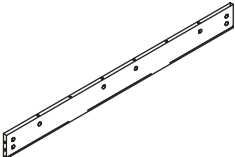


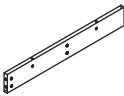
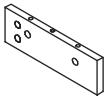
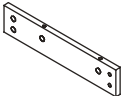
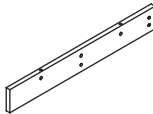
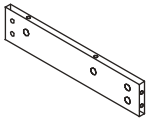
4



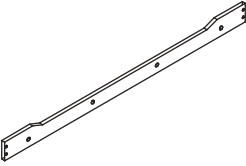
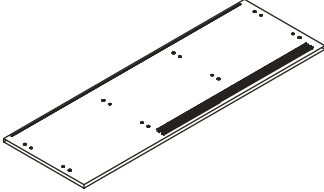
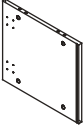
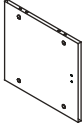
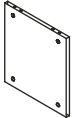
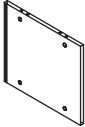
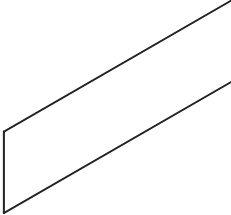
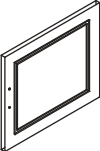
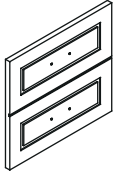
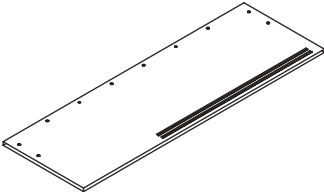
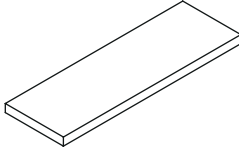
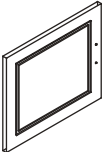
Assembly Instructions



Assembly Instructions

			
① x 1	② x 2	③ x 1	④ x 1
			
⑤ x 1	⑥ x 1	⑦ x 2	⑧ x 3
			
⑨ x 1	⑩ x 1	⑪ x 1	⑫ x 1
			
⑬ x 2	⑭ x 1	⑮ x 1	⑯ x 1

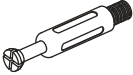

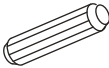
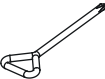

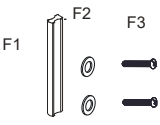
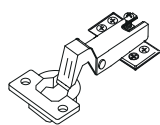




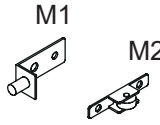

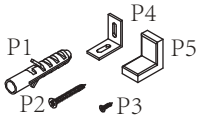
Assembly Instructions

			
①7 x 1	①8 x 1	①9 x 1	②0 x 1
			
②1 x 1	②2 x 1	②3 x 1	②4 x 1
			
②5 x 1	②6 x 1	②7 x 1	②8 x 1

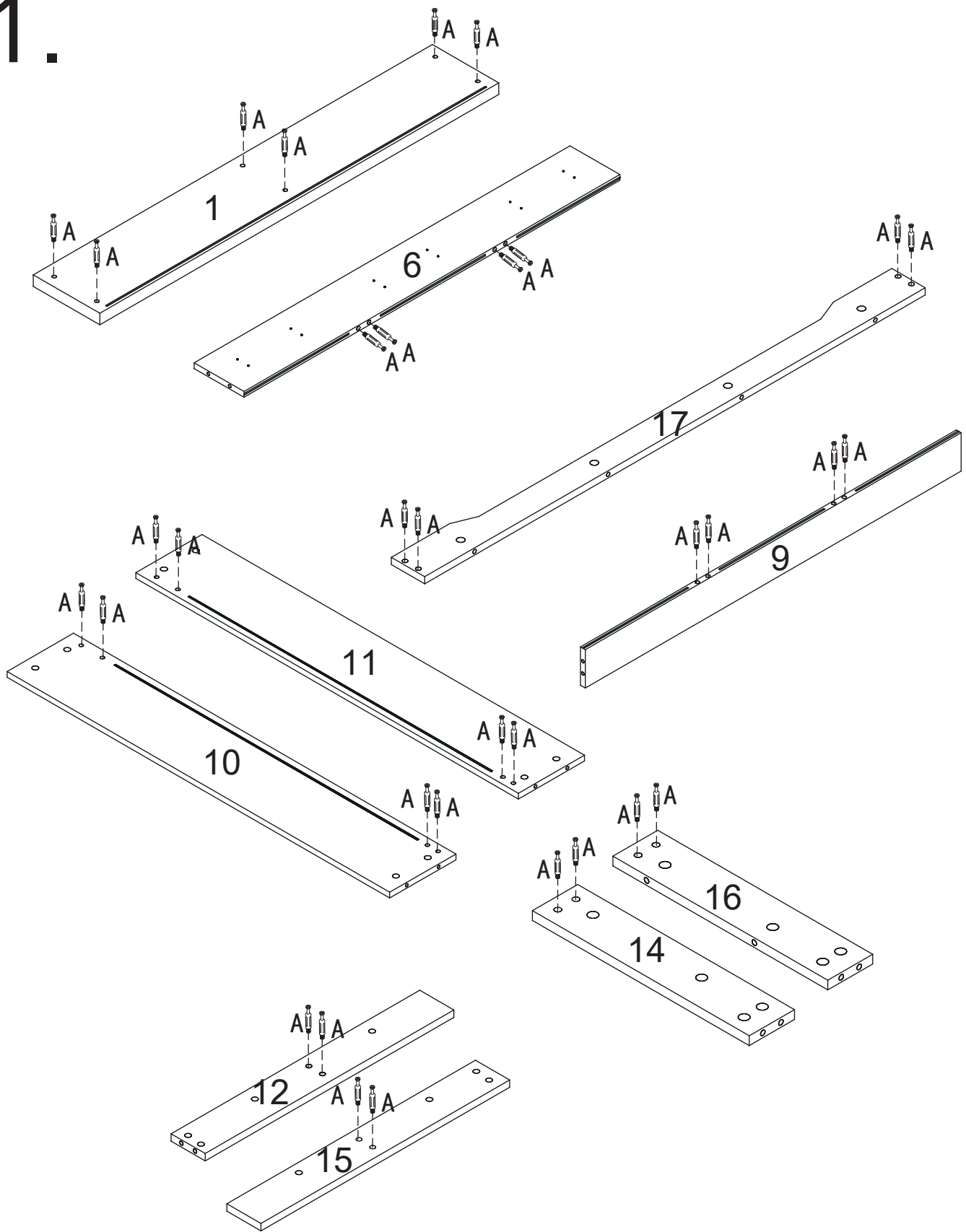
Components-Fittings

Please check you have all the panels listed below

Note: The quantities below are the correct amount to complete the assembly. In some cases more fittings may be supplied than are required.

<p>(A)</p>  <p>Cam Bolt x 88+3</p>	<p>(B)</p>  <p>Cam Lock x 88+3</p>	<p>(C)</p>  <p>8*30mm Dowel x 22+2</p>	<p>(D)</p>  <p>Screwdriver x 1</p>
<p>(E)</p>  <p>3.5*14mm Screw x 42+2</p>	<p>(F)</p>  <p>Hole Pitch Handle x 4 set</p>	<p>(G)</p>  <p>Hinge x 2</p>	<p>(H)</p>  <p>Baffles x 1</p>
<p>(J)</p>  <p>Clothes-hook x 6</p>	<p>(K)</p>  <p>felt x 10+2</p>	<p>(L)</p>  <p>Perfect Fit x20+2</p>	<p>(M)</p>  <p>pulley x 4 set</p>
<p>(N)</p>  <p>Backboard buckle x 22+1</p>	<p>(P)</p>  <p>Anti dumping x 2 set</p>		

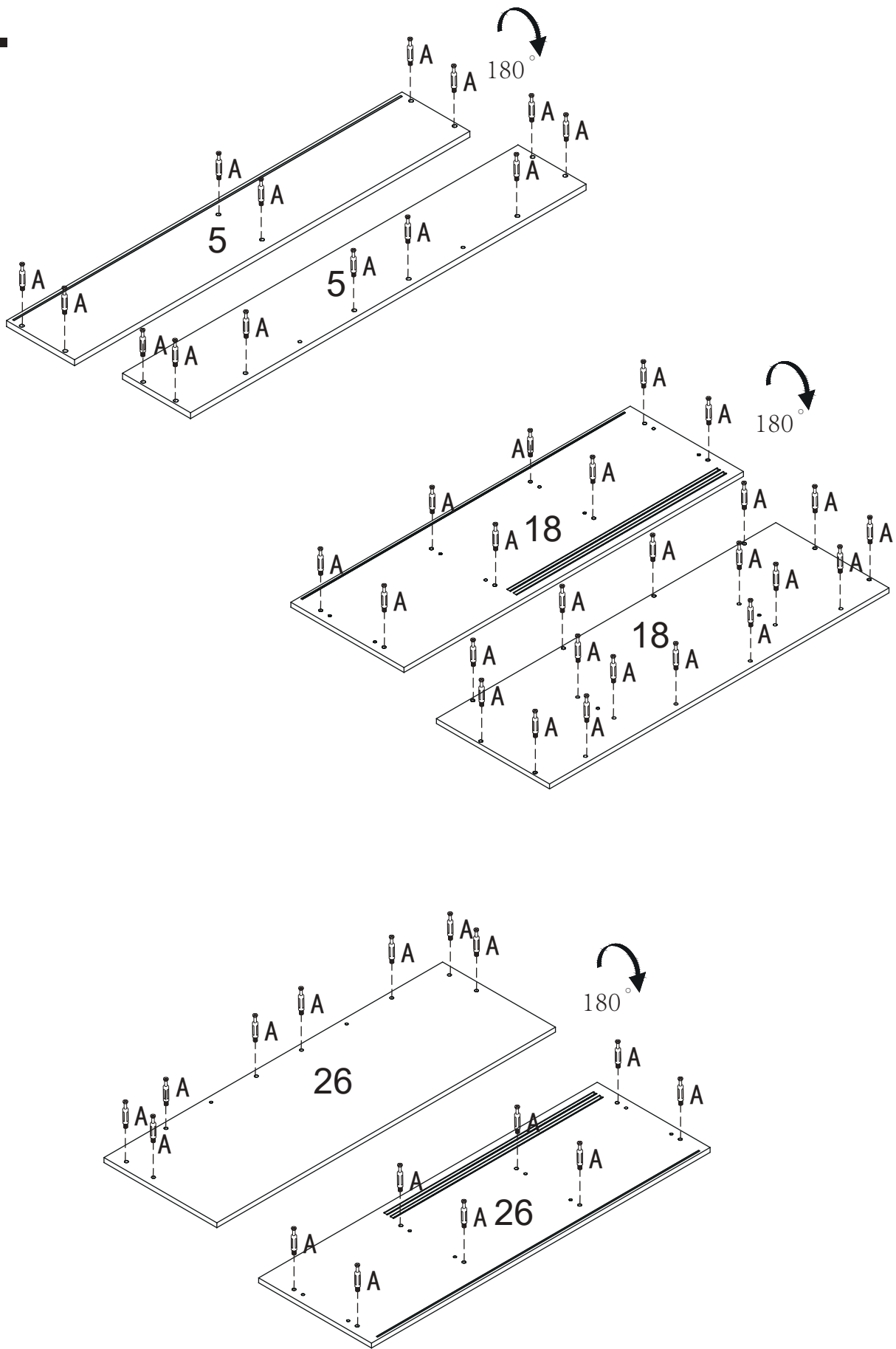
1.



A*34



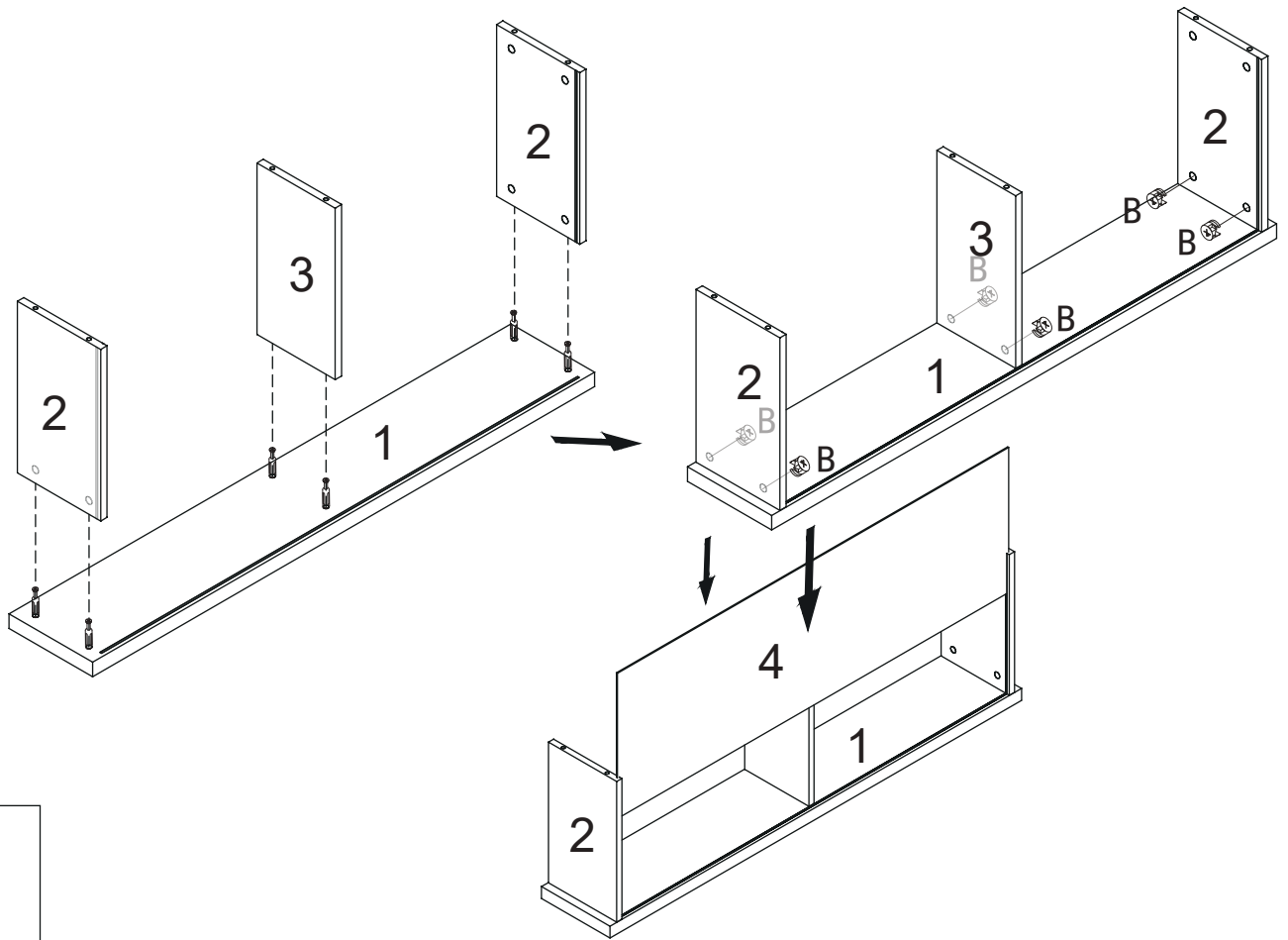
2.



A*54



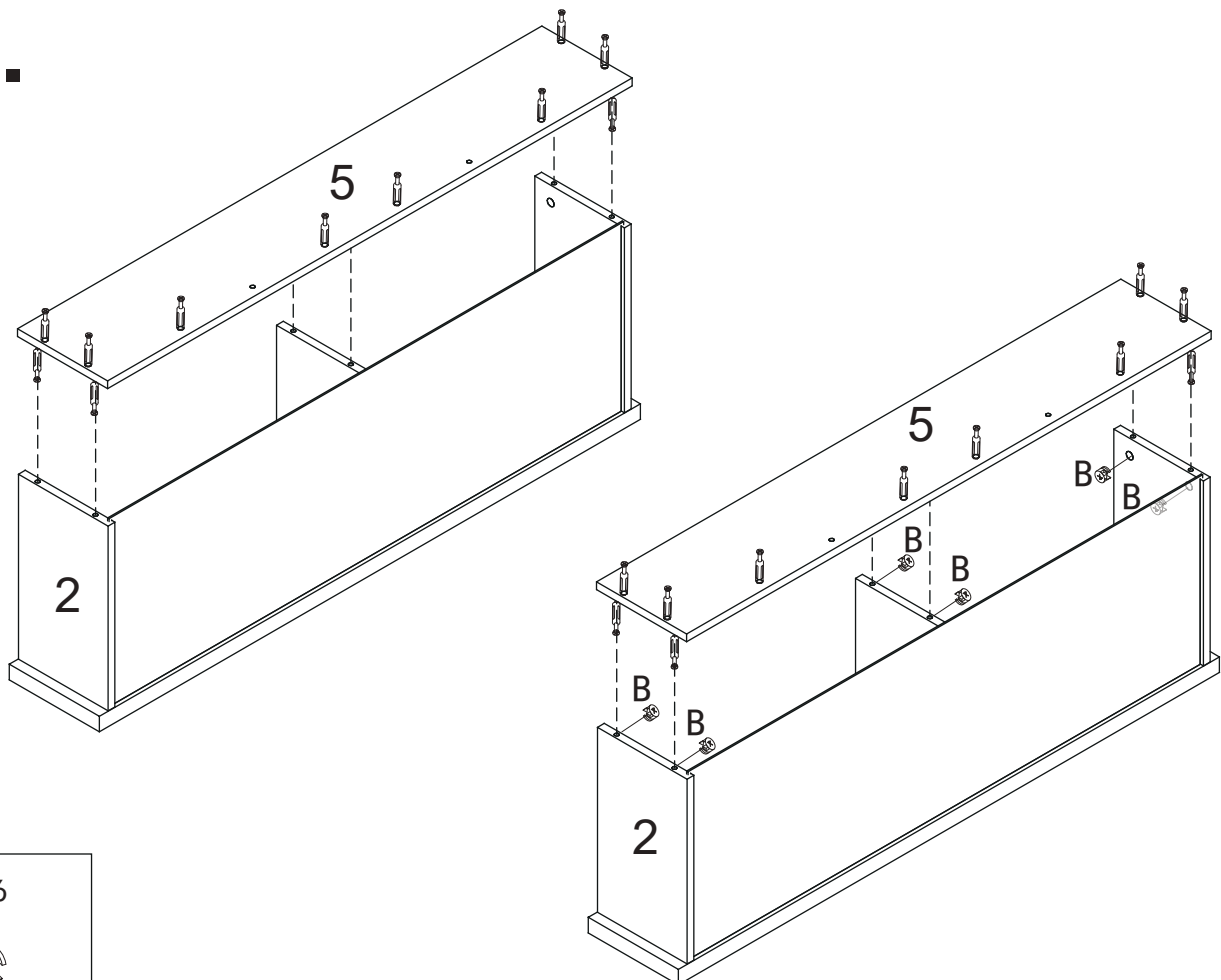
3.



B*6



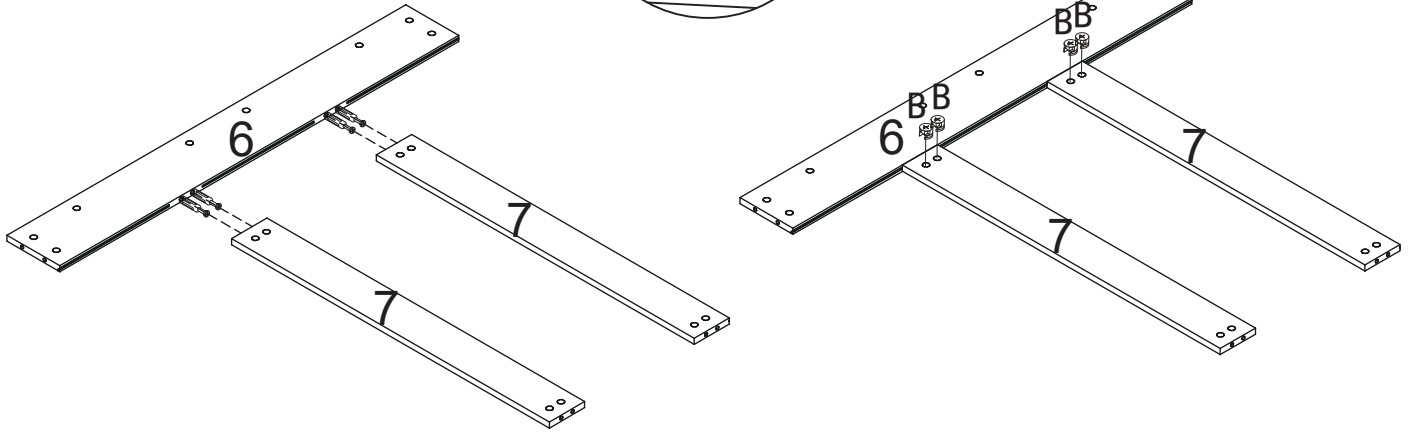
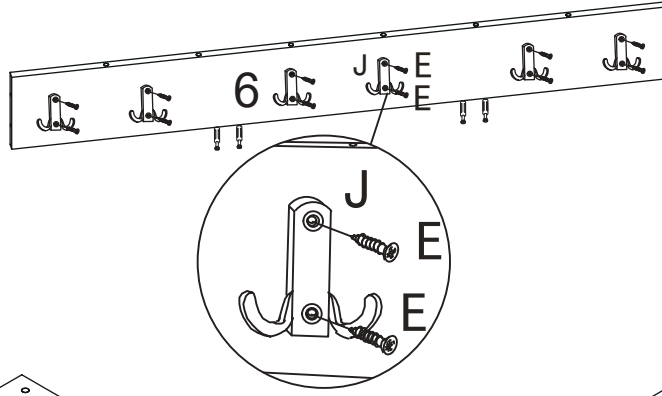
4.






B*6

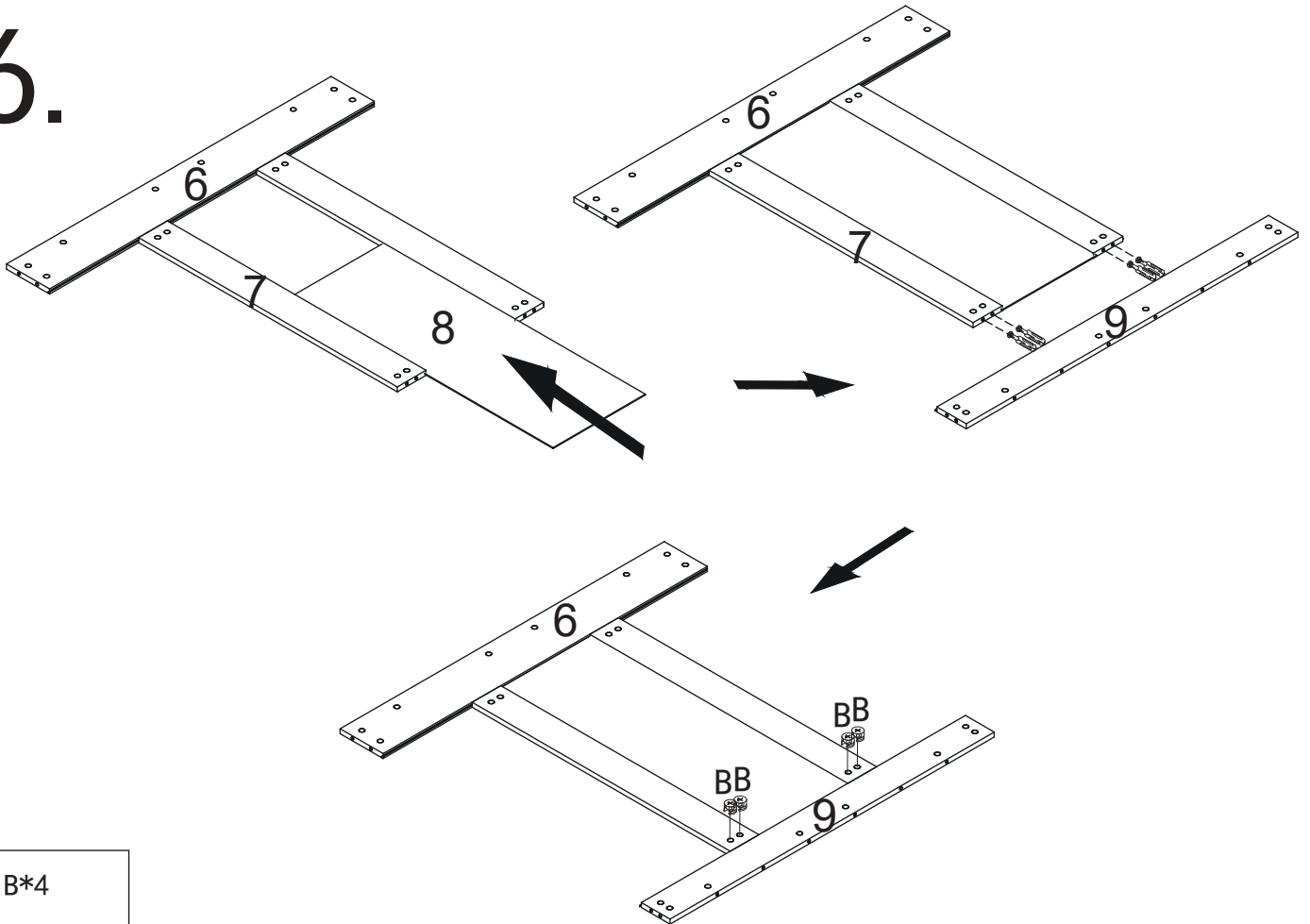



5.



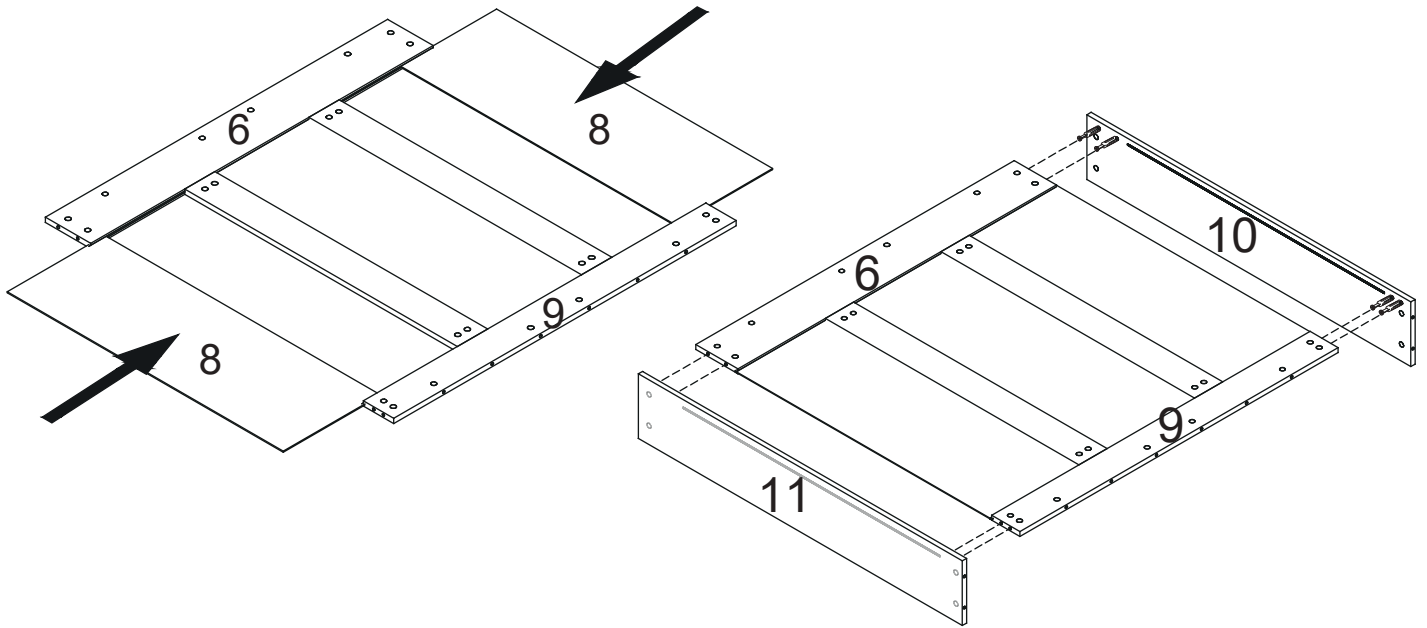
B*4	E*12	J*6
	 Ø 3.5 x 14 mm	

6.

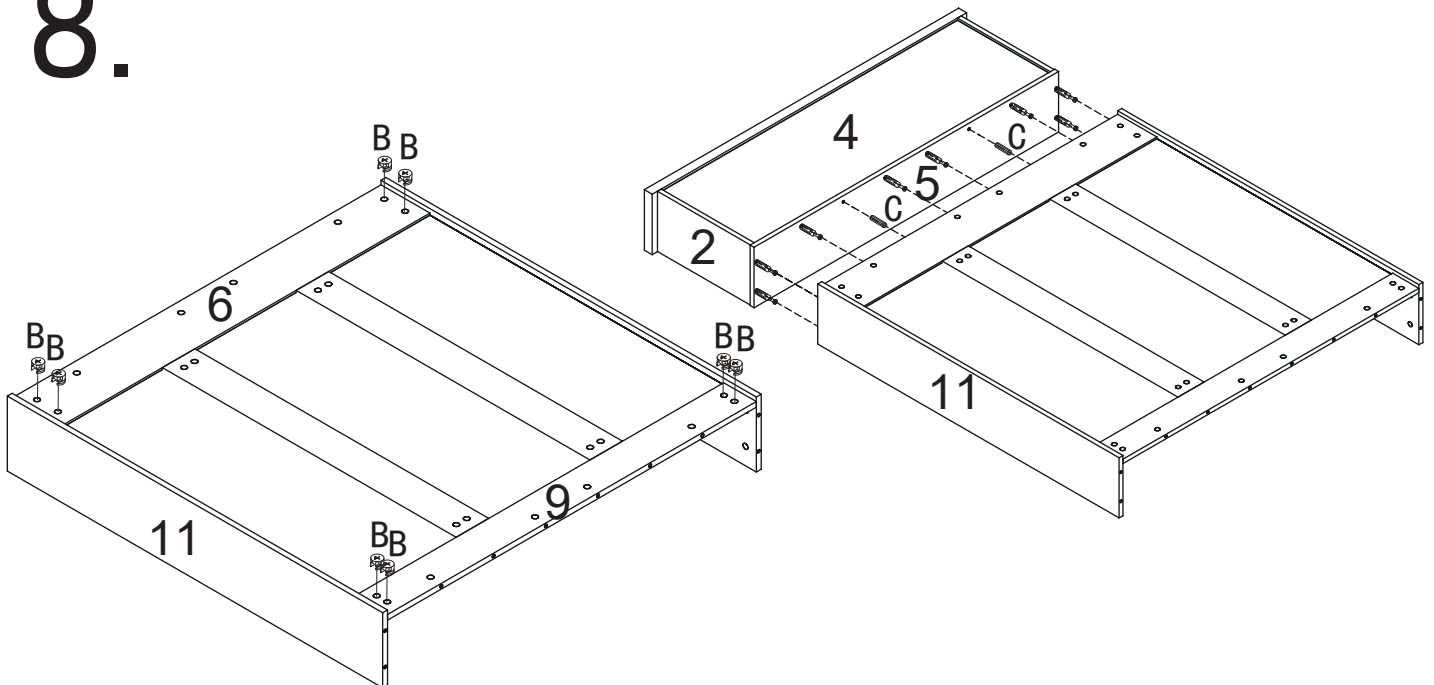


B*4


7.



8.



B*8

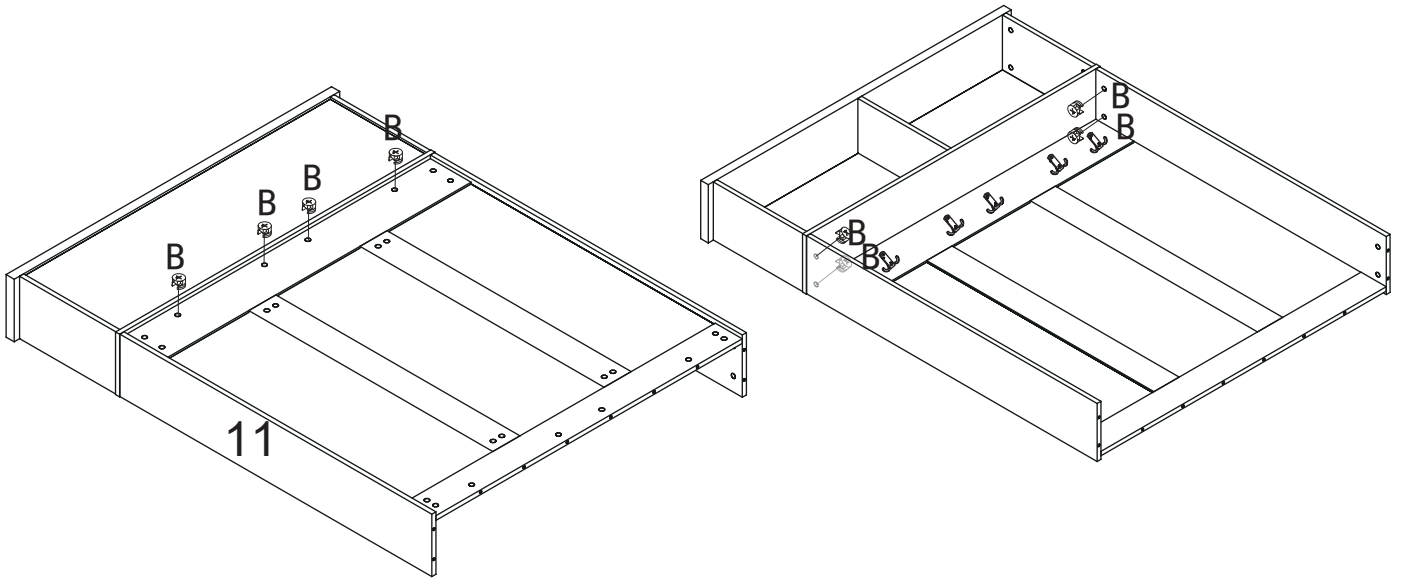


C*2



∅8 x 30 mm

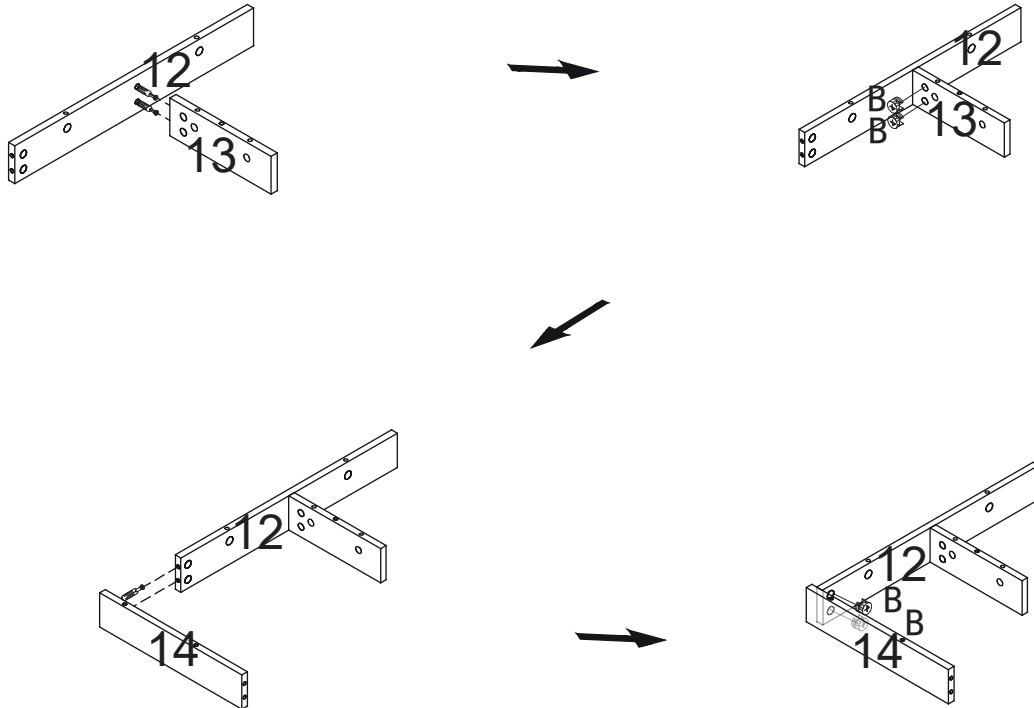
9.



B*8



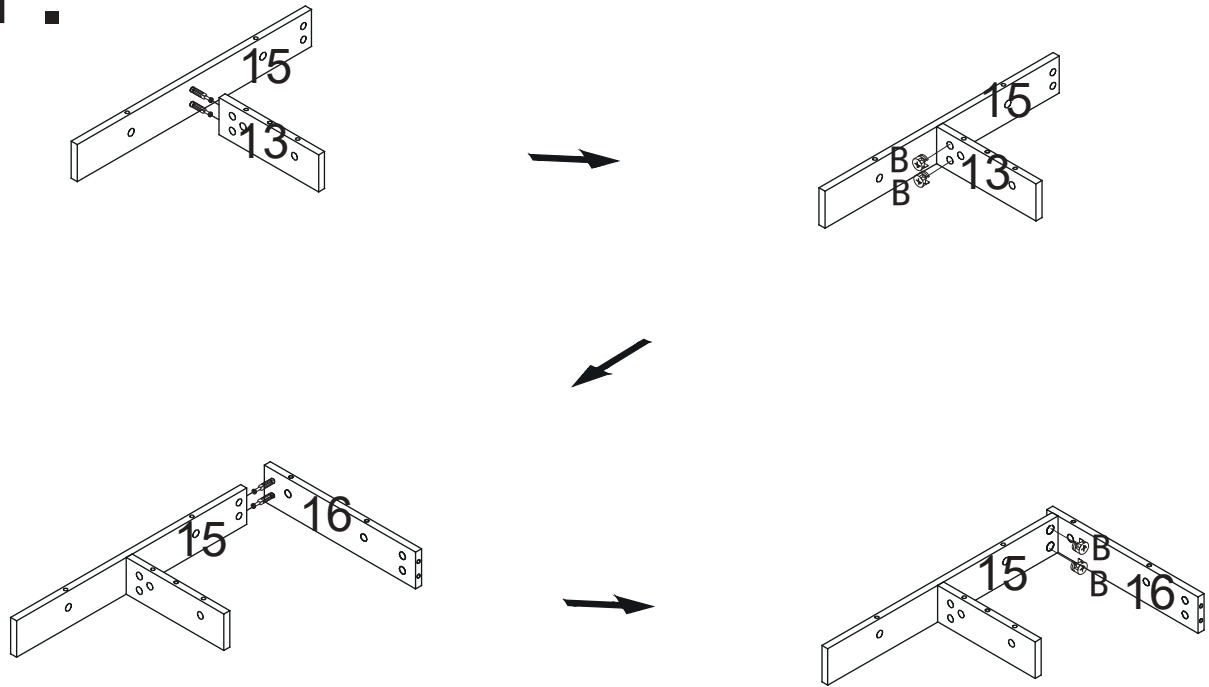
10.



B*4



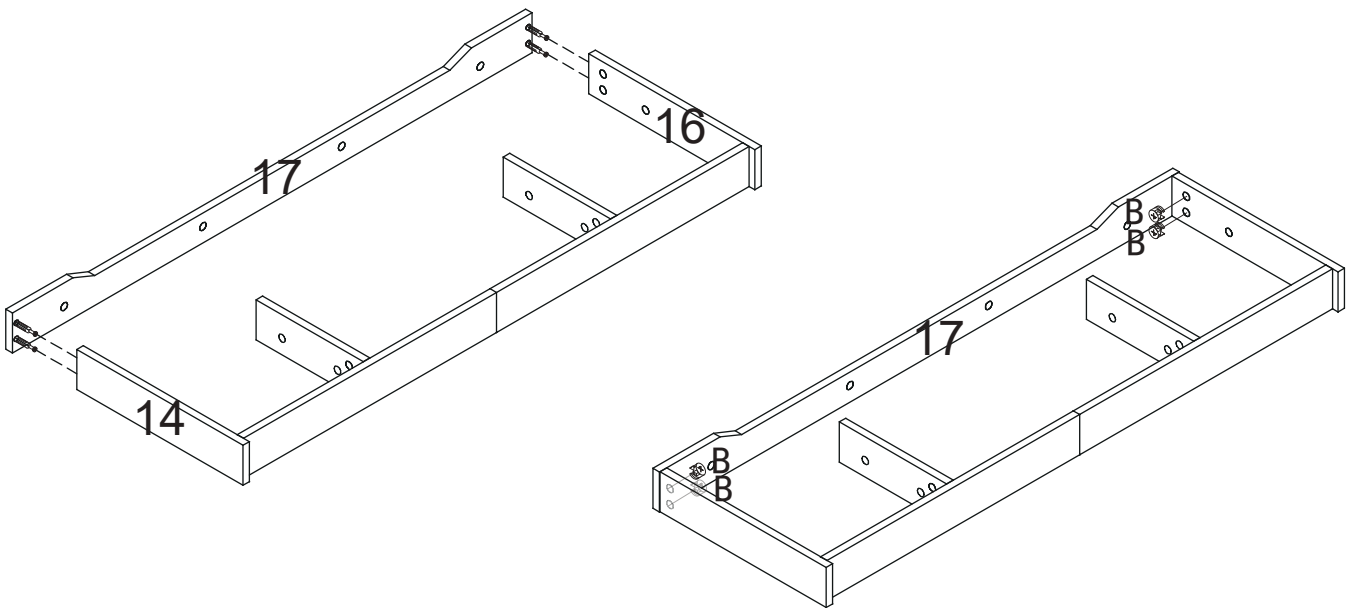
11.



B*4



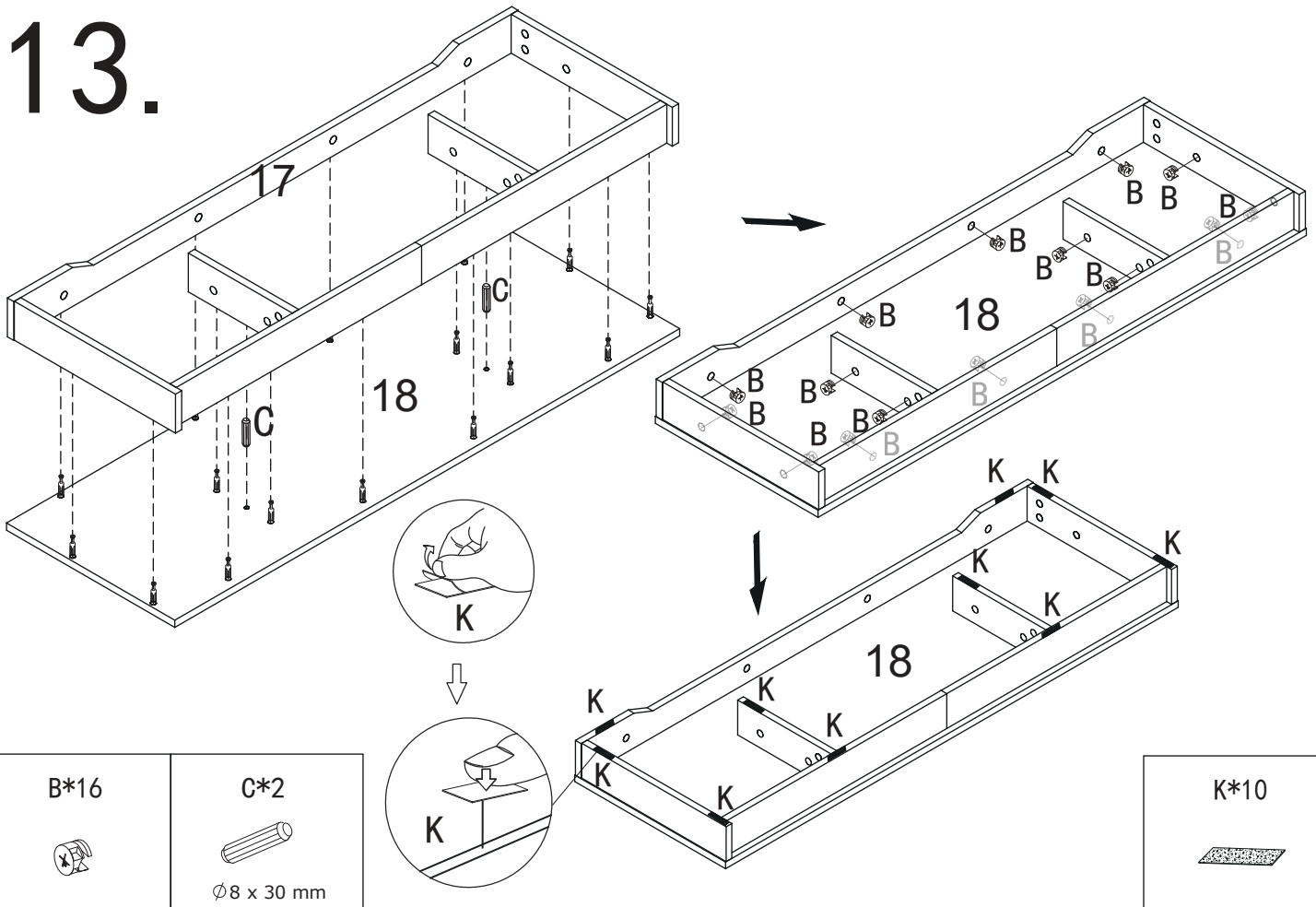
12.



B*4



13.



B*16

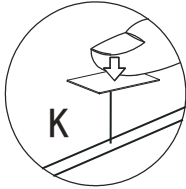


C*2



Ø 8 x 30 mm

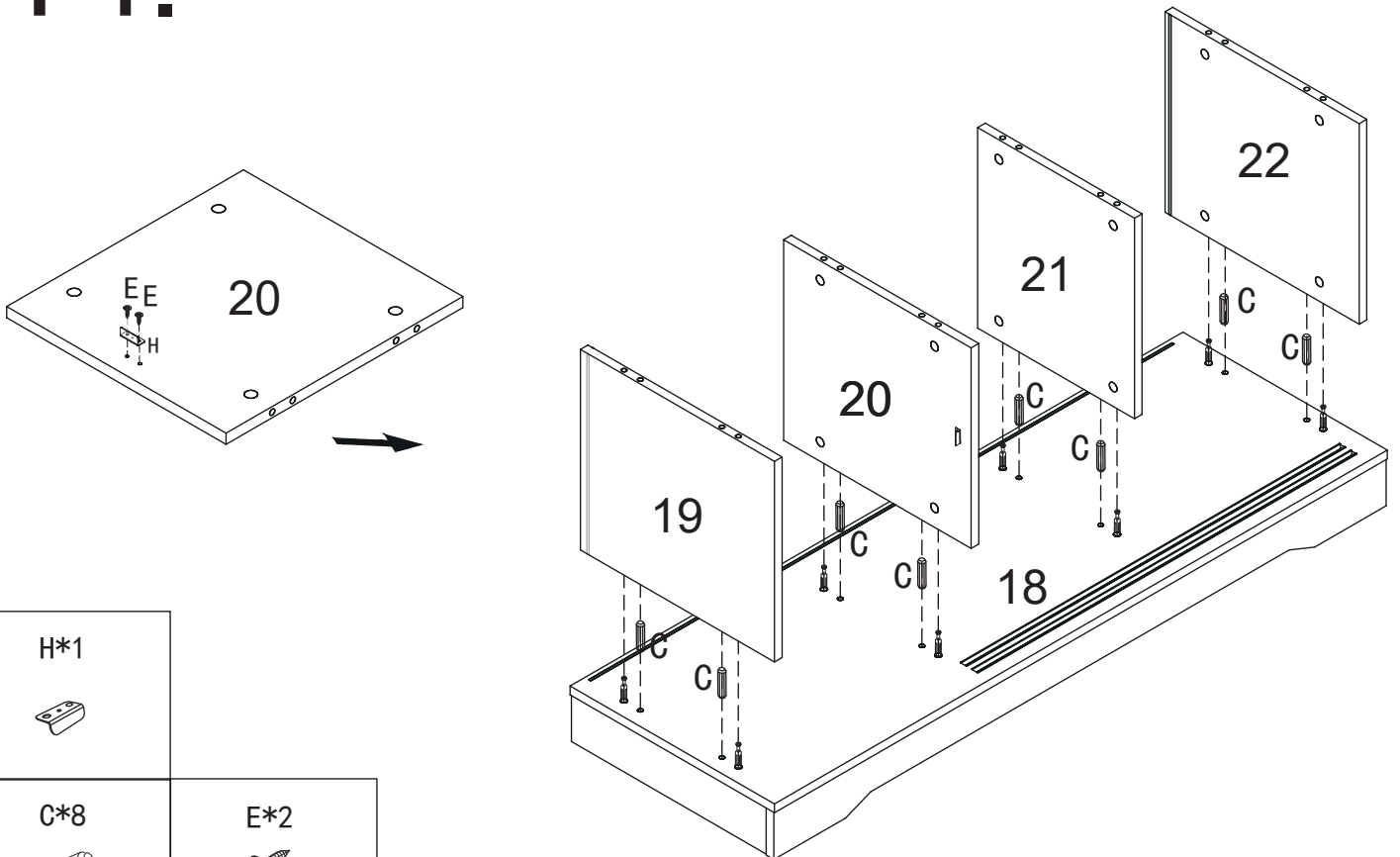
K



K*10



14.



H*1



C*8



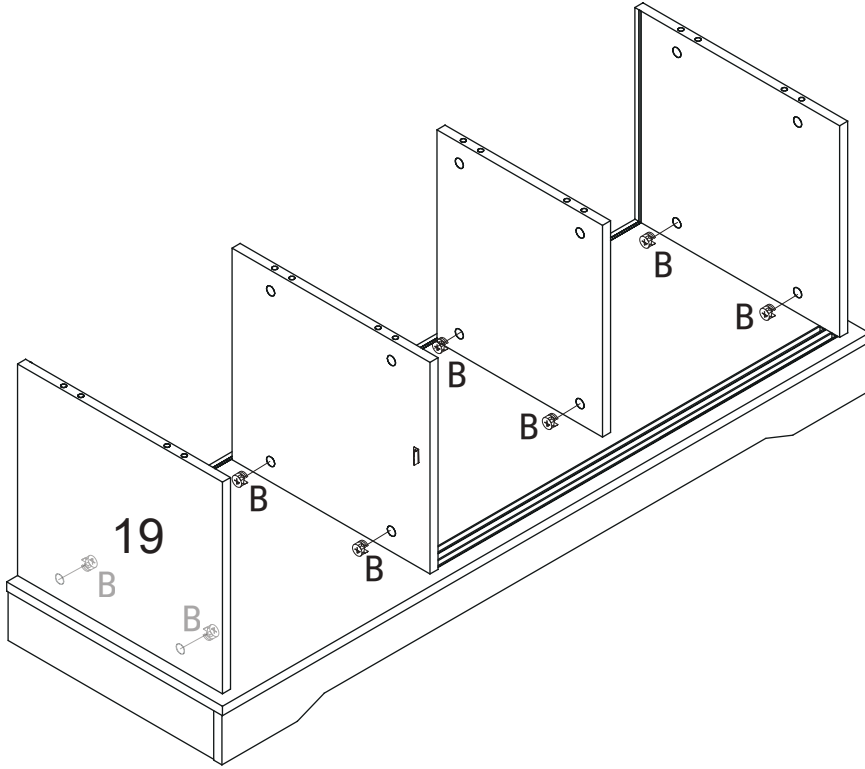
Ø 8 x 30 mm

E*2



Ø 3.5 x 14 mm

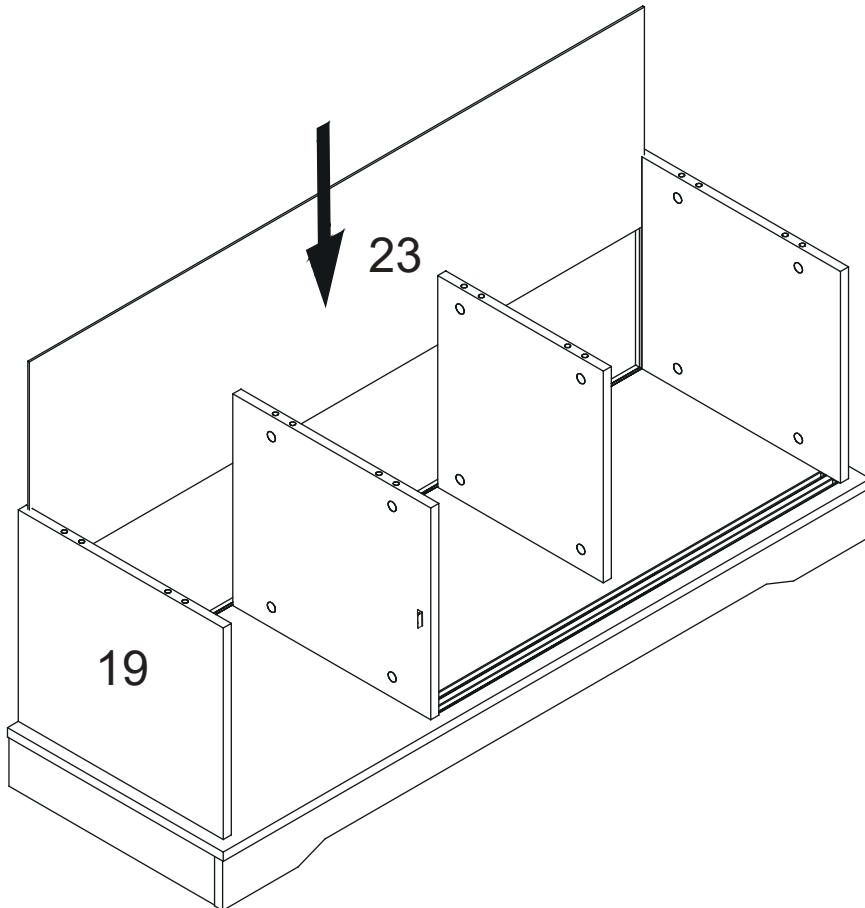
15.



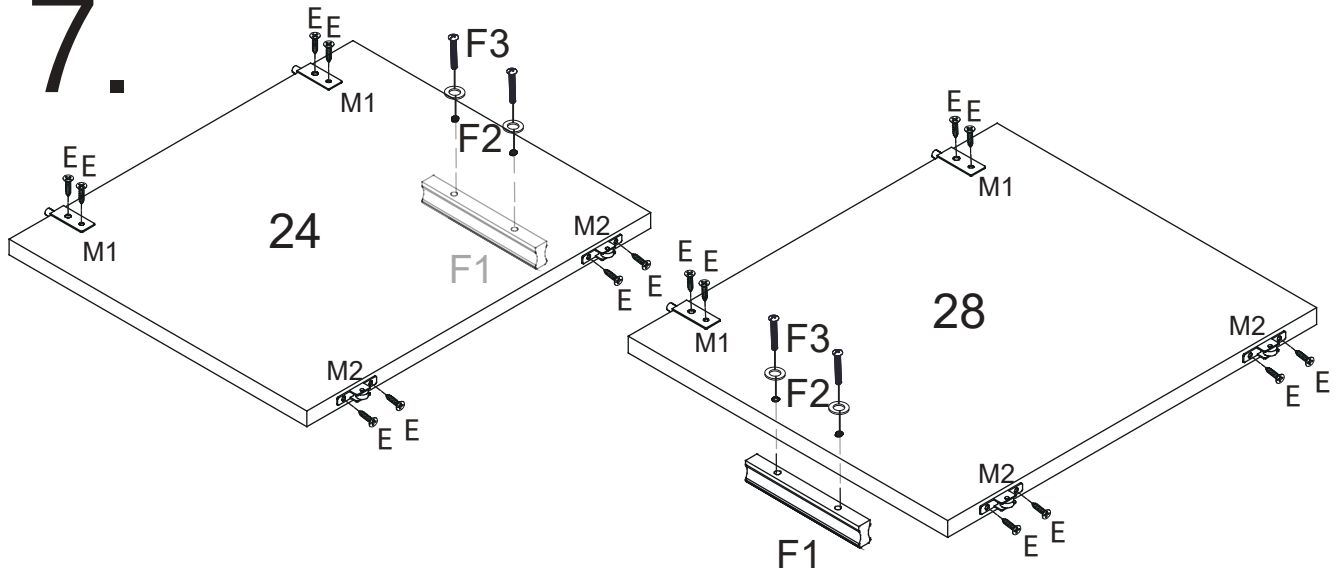
B*8



16.

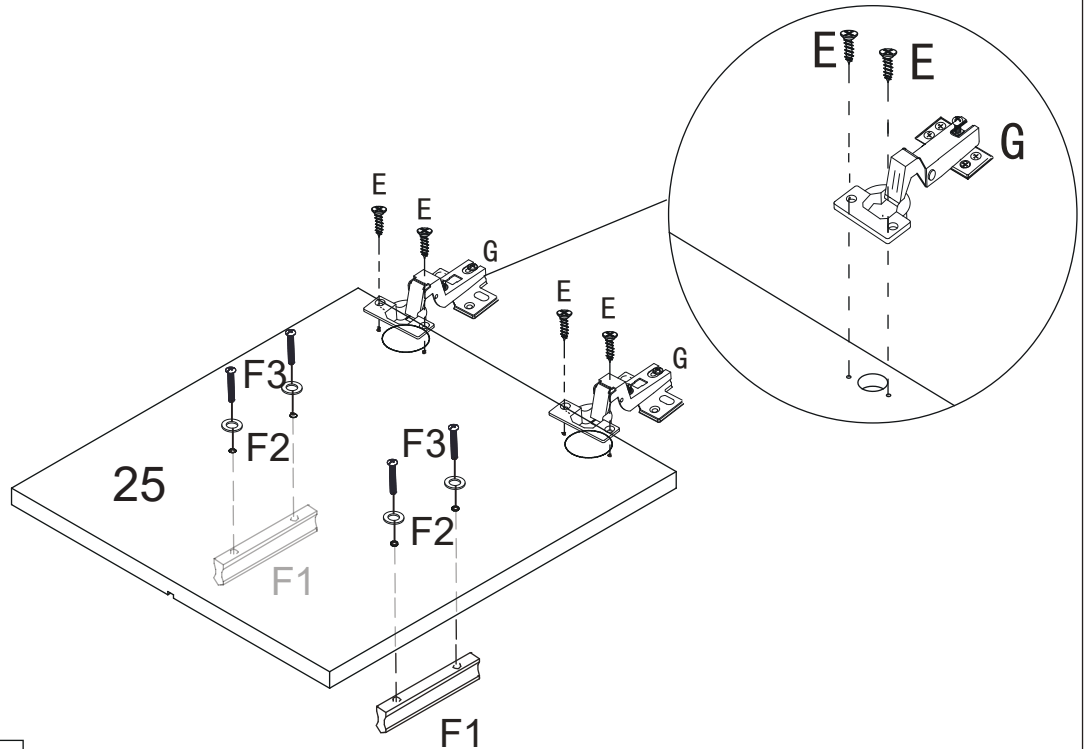


17.



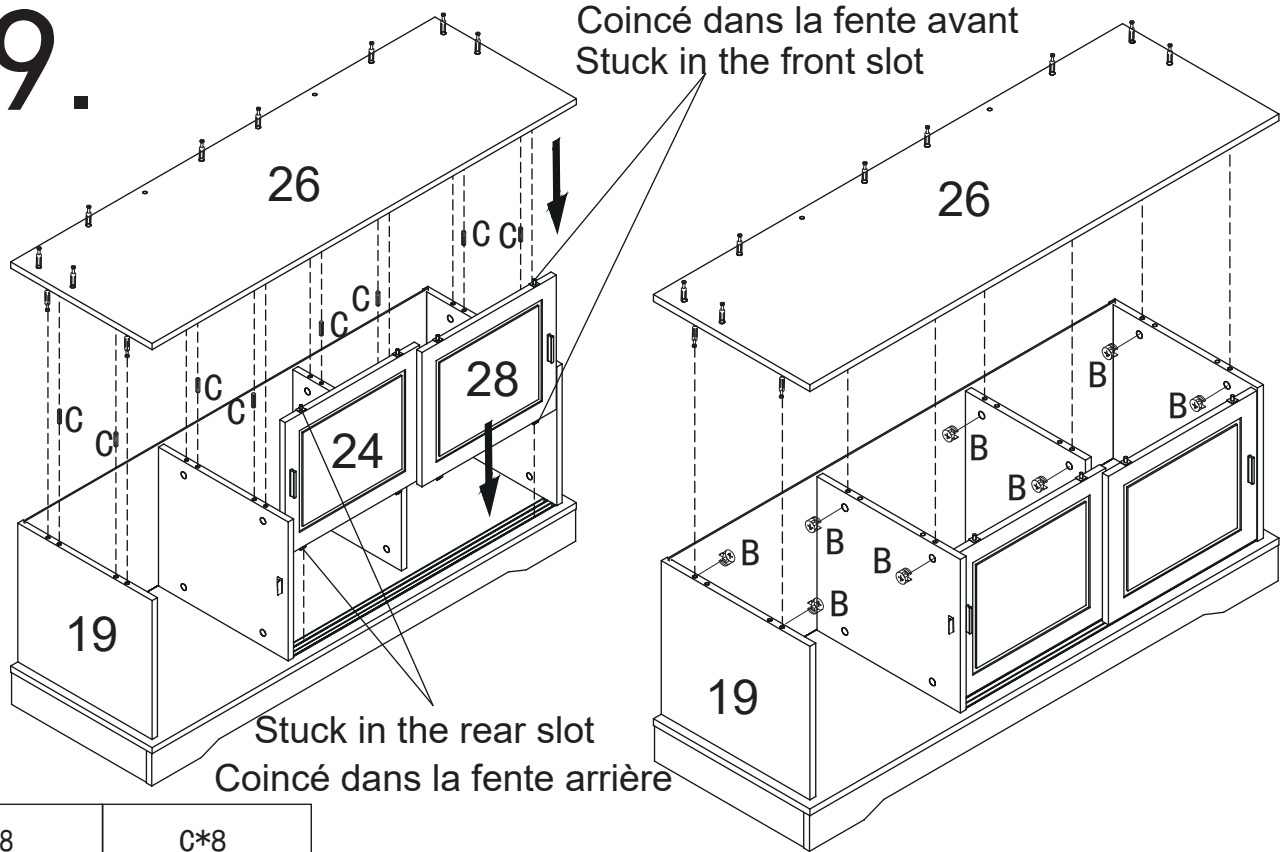
F*2 	F1*2 	F2*2 	F3*2 	
M*4 	M1*4 	M2*4 		E*16 $\varnothing 3.5 \times 14 \text{ mm}$

18.



E*4 $\varnothing 3.5 \times 14 \text{ mm}$	G*2 			
F*2 	F1*2 	F2*2 	F3*2 	

19.



B*8

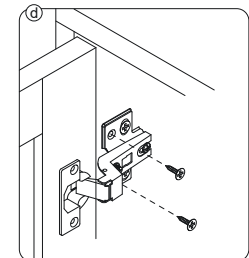
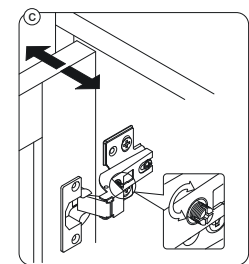
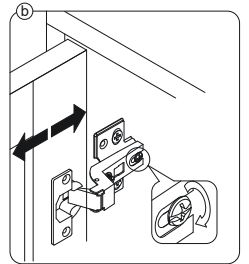
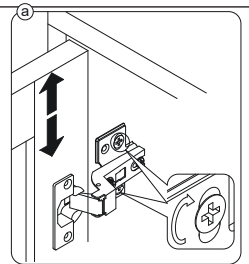
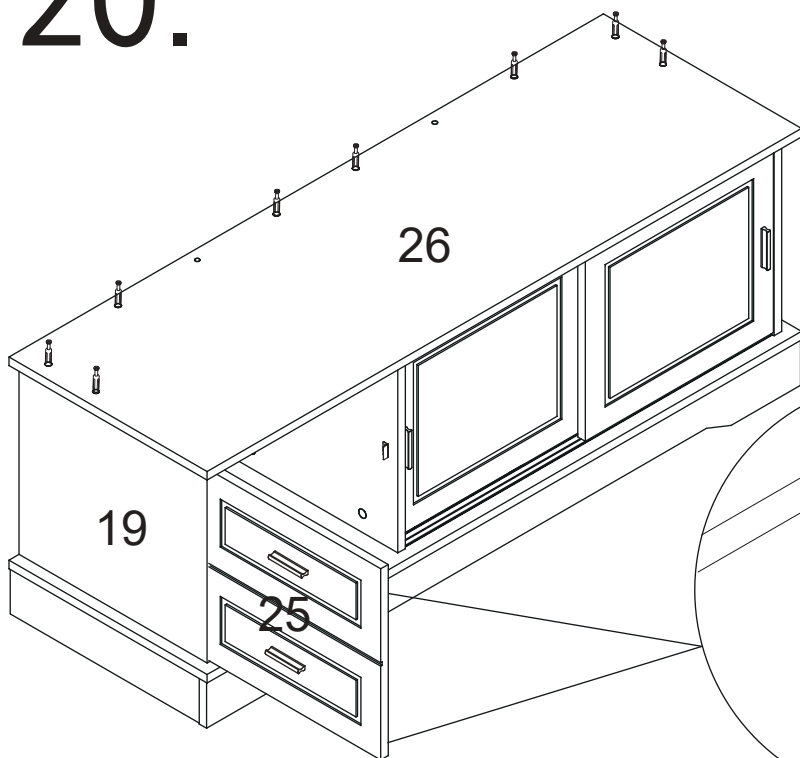


C*8



Ø8 x 30 mm

20.

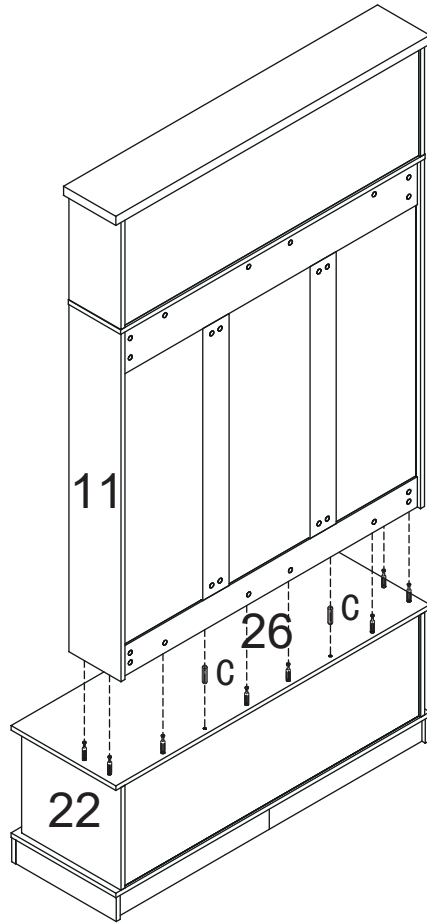


E*8



Ø3.5 x 14 mm

21.

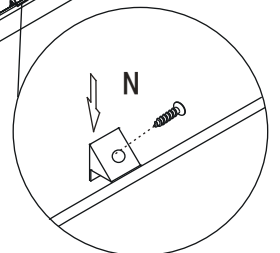
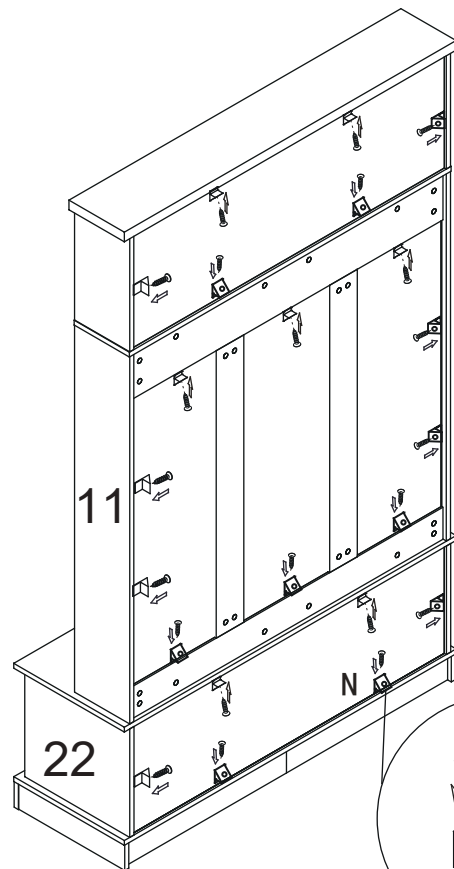
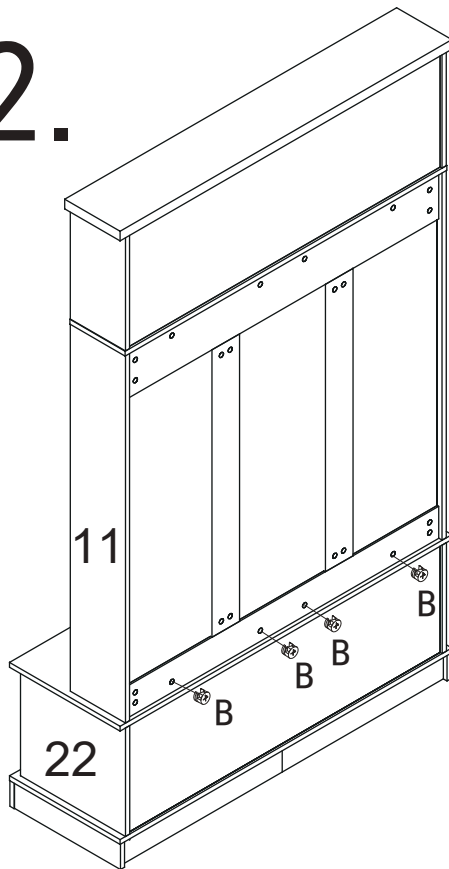


C*2



Ø8 x 30 mm

22.



B*4

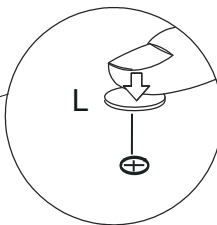
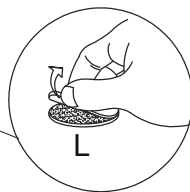
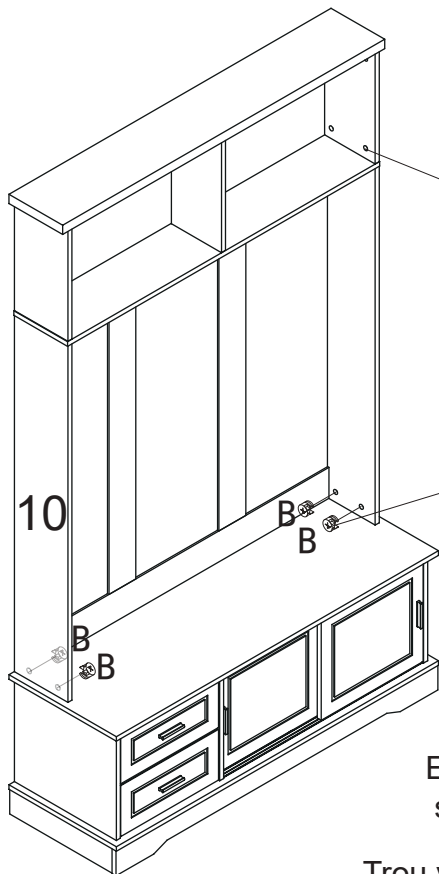


N*22



23.

180°



L*20



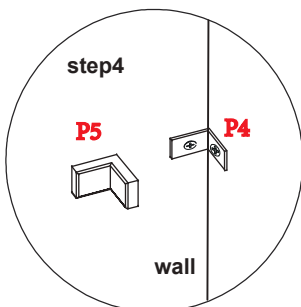
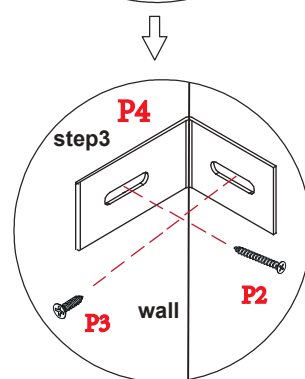
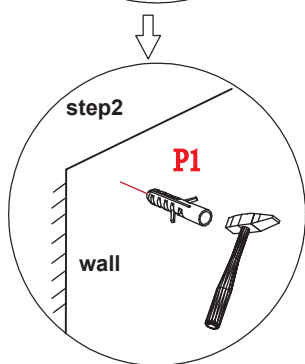
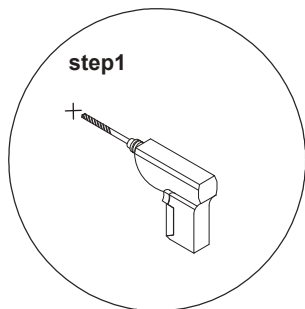
B*4



Eccentric wheel visible hole sticker perfectly fits L

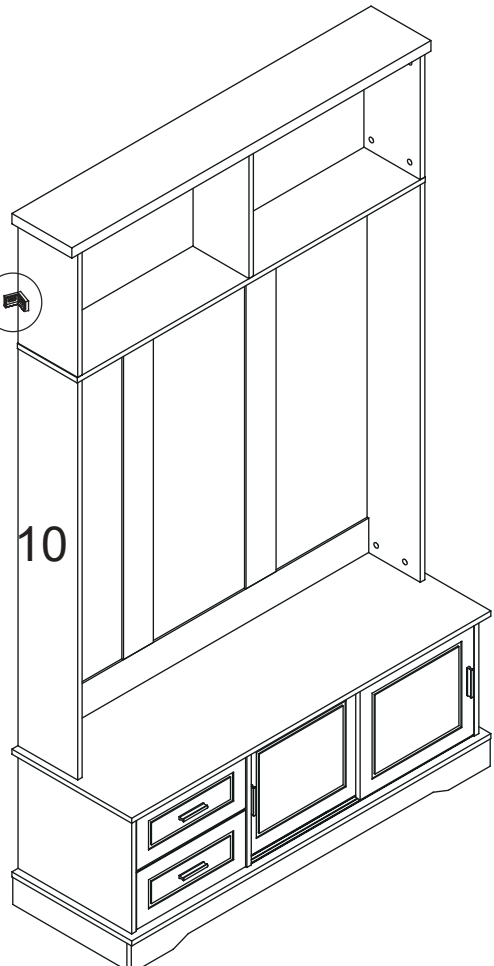
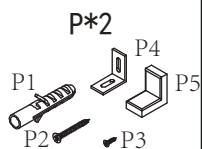
Trou visible de la roue excentrique autocollant s'adapte parfaitement à L

24.

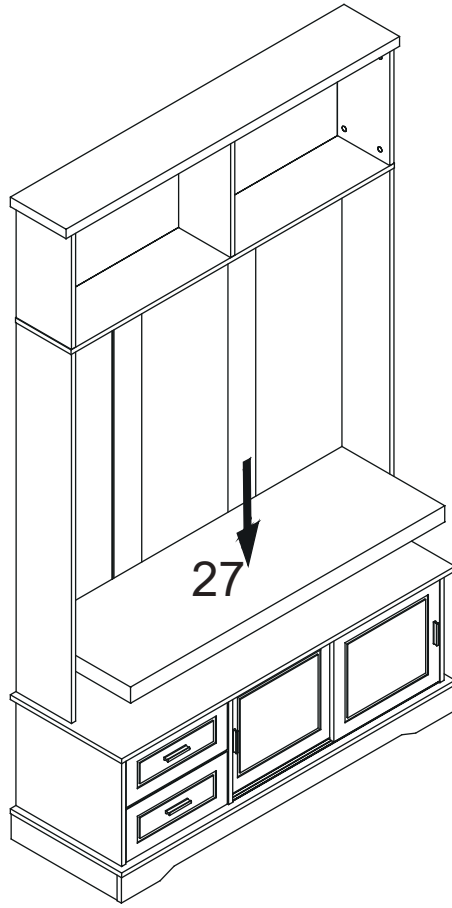


P

10



25.



26.

