

RVG1622

GRANITE TOPMOUNT BAR SINK

RUVATI[®]
SPECIFICATION SHEET

MATERIAL

- Solid Granite Composite
- 80% crushed natural granite for extreme strength
- Non-porous and resistant to stains

FEATURES

- Single-Tier Ledge for Accessories
- Will never discolor
- Naturally sound proof

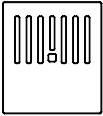


COLOR OPTIONS

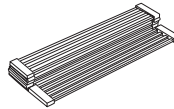
BK: Midnight Black

WH: Arctic White

IN THE BOX



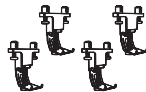
Cutting Board
[RVA1226BK/GR]



Folding Rack
[RVA1389]



Basket Strainer
[RVA1038BL/WH]



Mounting Clips
[RVA11055]



Cut-out
Template

NOMINAL DIMENSIONS

Exterior: 22-3/8" (wide) x 20" (front-to-back)
Interior Bowl: 20" (wide) x 15-1/4" (front-to-back)
Bowl Depth: 8"
Minimum Cabinet Size: 26" wide
Drain Hole Size: 3 1/2"

Installation Type:
Topmount

Inside Corners:
Rounded

Drain Location:
Rear Center

RUVATI USA

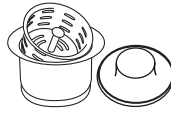
www.ruvati.com

Phone: 1.855.478.8284
Email: support@ruvati.com

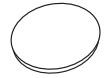
OPTIONAL ACCESSORIES (SOLD SEPARATELY)



Deep Basket
Disposal Flange
[RVA1049ST/BL/GG]

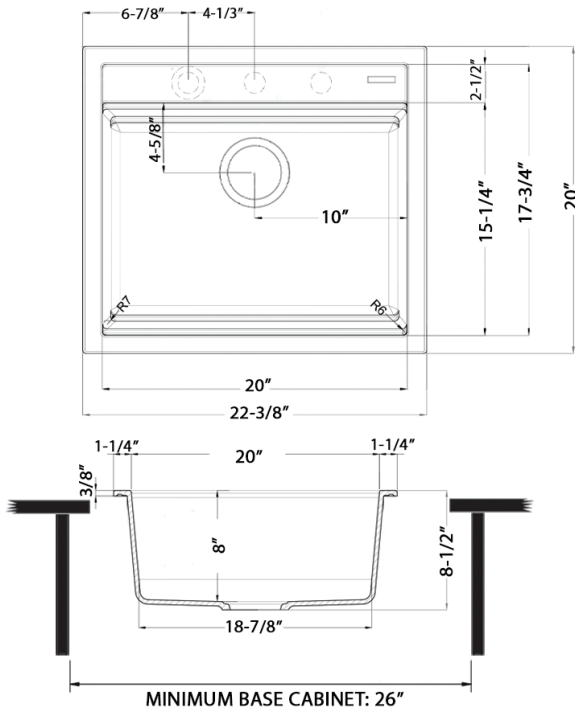


Deep Basket
Disposal Flange/Stopper
[RVA1052ST/BL/GG]



Drain Cover
[RVA1034BK/WH]

DIMENSIONS



cUPC certified by IAPMO
to meet US and Canada
plumbing standards.



**SCAN TO REGISTER
YOUR WARRANTY**

or visit
ruvati.com/register

RUVATI USA
www.ruvati.com

Phone: 1.855.478.8284
Email: support@ruvati.com