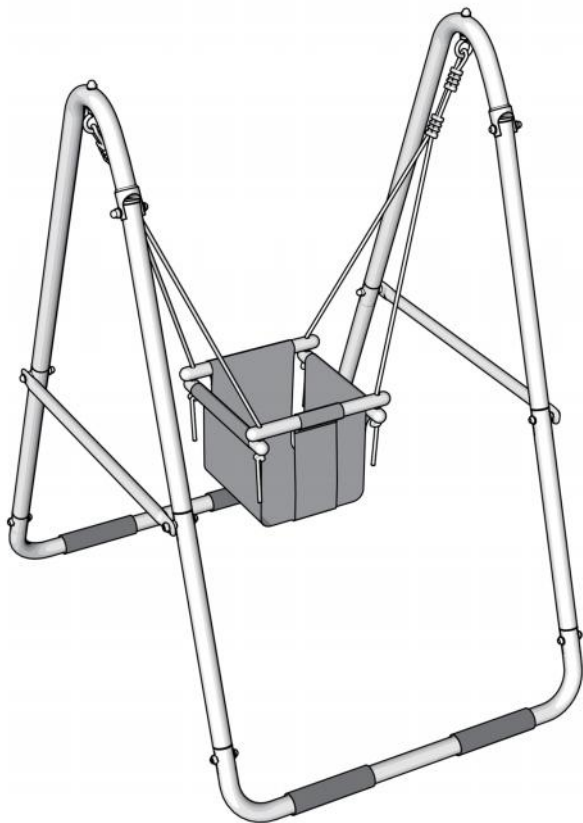


TODDLER SWING

ASSEMBLY INSTRUCTION, CARE, MAINTENANCE AND USER'S GUIDE



FOR RESIDENTIAL USE ONLY Model# AB0503W

- This product is intended for children aged 12-36 months, weighing not more than 55lbs (25kg).
- Assembly requires two adults.

⚠ WARNING!

WARNING - Do not allow more than one child to play on the individual swing at the same time.

WARNING!

- Observing the following statements and warnings reduces the likelihood of serious injury. It is designed for children aged 12-36 months with maximum weight of 55lbs (25kg).
- Only one child per seat at any one time.
- Teach children to sit in the center of the swing seat, with full weight in the center of the seat.
- DO NOT allow children to lean to the side when on swing seats or to collide with other playmates. DO NOT allow children to stand on the swing seat.
- Dress children appropriately while on and around this equipment. DO NOT allow children to wear ponchos, scarves, jewelry, loose shoes, jackets or clothing with loose strings and/or clothing that might be potentially hazardous whilst using this equipment.
- DO NOT let children use this equipment in any manner other than intended.
- DO NOT install over concrete, asphalt, gravel or any other hard surface which may cause injury should a fall occur. Swing set shall be placed over protective soft material such as sand bed, soft woodbark, grass lawn. The depth of sand and soft woodbark shall be a minimum of 6 inches (15 cm).
- DO NOT let children use this equipment until it has been properly assembled and anchored.
- Place equipment on level ground not less than 6.6 ft (2m) from any structures or obstacles such as fences, overhanging branches, laundry or electrical lines, garages, sheds or houses.
- Instruct children to NOT swing empty seats as this may strike other children, or themselves.
- They may strike other children, or the play equipment may come back and strike you.
- Instruct children not to walk closely in front of, behind or in between moving swing seat.
- Instruct children to keep a safe distance away to avoid being struck by the items in use.
- Instruct children not to twist chains or ropes, or loop them over the support bar. This adds stress, reduces strength and may result in failure and cause injury.
- DO NOT allow children to stand on the swing seat.
- DO NOT allow children to jump from moving swing seat.
- DO NOT allow children to climb or play on the equipment whilst wet (slips or falls may occur).
- DO NOT allow children to climb on or swing from structural members (eg legs, top bar and chin bars). These are structural components ONLY and NOT play features.
- DO NOT allow children to swing more than 60 degrees.
- After completion of assembly, ensure all hex nuts are tightened and in the correct position.
- DO NOT attach items to the playground equipment that are not specially designed for use with this equipment, such as, but not limited to, jump ropes, clotheslines, pet leashes, cables and chains as they may cause strangulation hazards.
- The minimum clearance from the seat to ground is 14 inches (350 mm).
- At the end of each play season, remove all plastic parts and take indoors. DO NOT allow the use of plastic items when the temperature drops below 32°F/0°C.
- Dispose of all packaging properly after the unit has been assembled.
- Check all nuts and bolts for tightness and tighten when required.

- Check swing seats, chains, and other means of attachments for evidence of deterioration, replace when required in accordance with the manufacturer's instructions.
- This unit must be assembled by adults. Make sure bolts and small components are kept out of reach of young children due to choking hazard.
- Check metal sections or components for signs of corrosion.
- Discontinue use if weakening or breakage found.
- Young children in play are unaware of potential dangers and hazards, therefore responsible adults supervision is essential. Never leave children unattended.
- Failure to comply with these precautions may result in injury.
- Disassemble and store indoors during the winter.
- Do not attach items to the equipment, including but not limited to cables, skipping ropes and chains as they may cause strangulation hazards
- Not suitable for hiring or commercial use.
- Never use the equipment in any manner other than intended.
- Toys shall be accompanied by maintenance instructions drawing attention to the need of carrying out checks and maintenance of the main parts at regular intervals. If these checks are not carried out the toy could overturn and otherwise become a hazard.
- Please retain these instructions for future reference.
- Warning! For domestic use only.

Positioning Your Play Set

- Require at least 2 adults for assembly. Try to place in a flat area of your yard to minimize ground preparation.

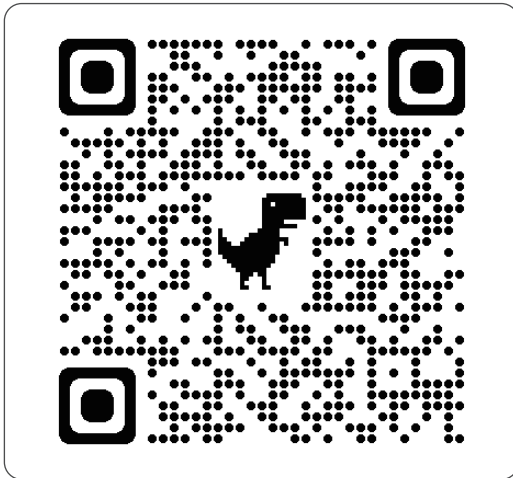
Place the equipment not less than 6.6 ft (2m) from any structure or obstruction such as a fence, garage, house, overhanging branches, laundry lines or electrical wires.

The maximum fall height for the product is 3.9 ft (1.2m)

Maintenance Checklist

- Check all nuts and bolts before each use and tighten as required. We recommend you check the swing beam and hardware every two weeks. It is particularly important that this procedure be followed at the beginning of each season Oil all metallic moving parts monthly during the usage period.
- Check swing seats, ropes, cables and chains monthly during usage season for evidence of deterioration. Replacement should be made of any swing seat that has developed cracks in the plastic seat or has exposed metal in the edges of the swing seat. If there are already exposed metal inserts on the edge of the seat, immediately remove the seats and chains to prevent serious injury. Ropes, cables and chains should be removed and replaced if excessive wear is found. Contact OUR SERVICE CENTER for replacement parts.

- Maintaining the play set on a level location is very important. During use, your play set may slowly dig its way into soil, and it is very important that it settles evenly. Make sure the play set is level.
- **Swing hangers:** check to insure correct installation. Make sure that the bend of the swing hanger is positioned tightly against the stop washer and swing beam. The axis of the swing hanger bushing must be perpendicular to the swing motion. If squeaking occurs the nylon bushings can be sprayed with WD-40 or other house hold lubricant.
- The instructions and owner' s manual for your new play set should be read in its entirety before assembly, to minimize problems and safety issues. We recommend reading the owner manual thoroughly after you have identified all of the parts for your play set as discussed in the HINTS AND TIPS AS LISTED BELOW.
- Check all coverings for bolts and sharp edges and replace when required.
- Do not adjust the length of the swing rope.
- Never use pliers to tighten up screws –these can cause damage to both the paintwork and the special anti-corrosion plating.
- To help maintain the product' s appearance, occasionally clean the seats and metal framework with a damp cloth lightly –DO NOT use abrasive chemical cleaners.
- When the time comes to disassemble and dispose of this product, please completely isassemble the unit and discard of it in a safe place and manner so as not to present any hazard to any individual.



Part list

A Upper Leg Support x2



B Lower Leg support x4



C Foot Tube x2



D Side Horizontal Support x2



D1 Long Screw Bolt x4



D2 Spacer x16



D3 Lock Nut x8



D4 Cap nut x2



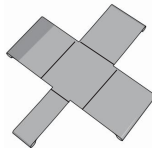
D5 Short Screw bolt x4



E Rubber Spacer x2



F Baby Sxing x1



Swing Bag + Swing Stick x4 + Suspension Rope x2 + Cushion

Tool:



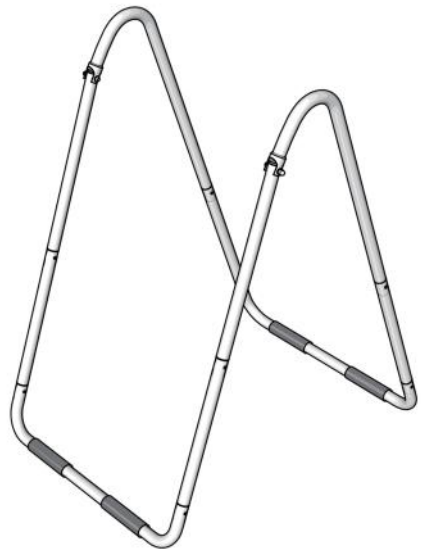
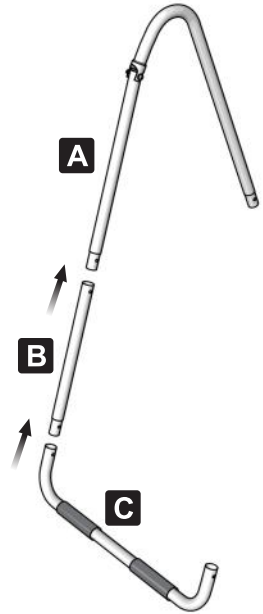
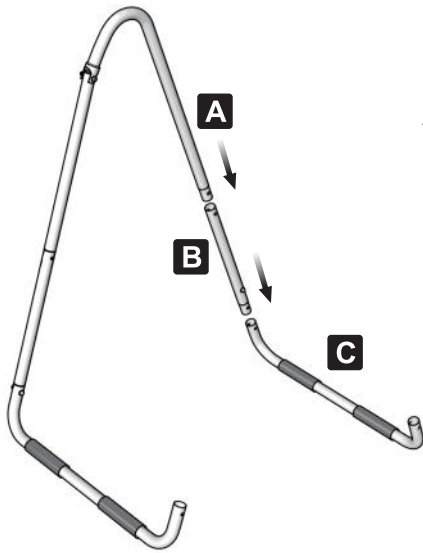
Installation

Step 1

Take one C-tube and connect it to the B-tube.
Connect the other end of the B-tube to the A-tube.

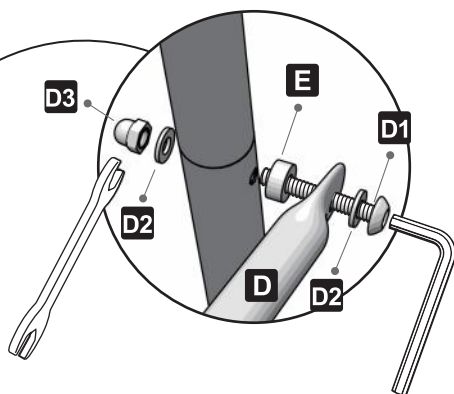
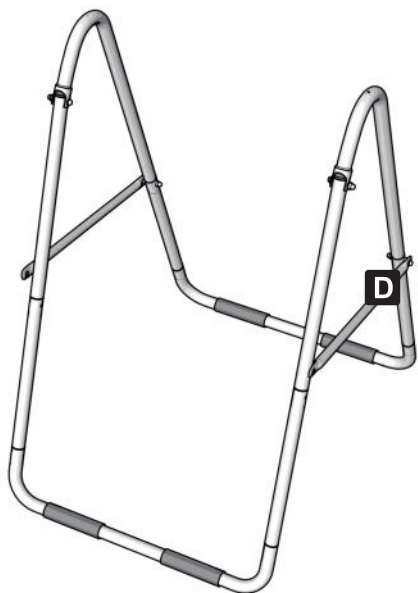
Take another B-tube and connect it to the other side
of the A-tube, then connect it to another C-tube.

Install the frame on the other side using the same
method.



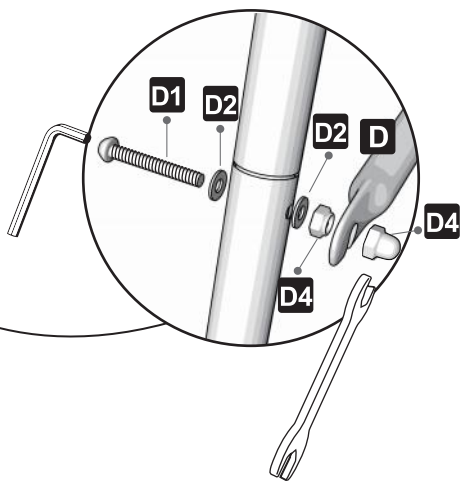
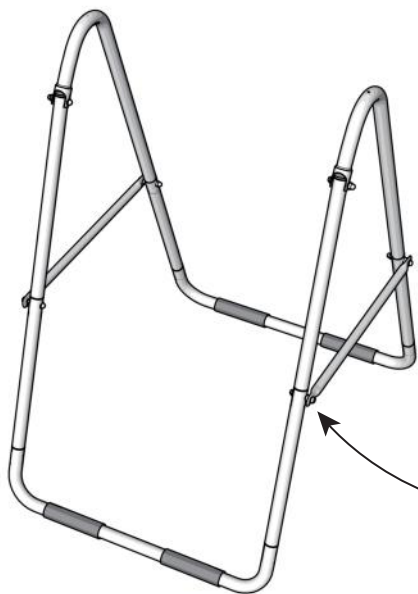
Step 2

install horizontal support bar D following the sequence of picture

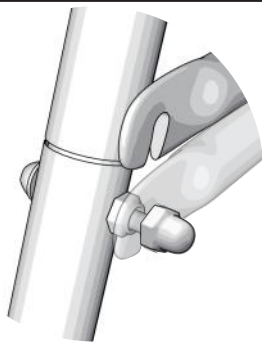


Step 3

Install the other side of the horizontal support bar, according to the sequence shown in the picture. Please ensure that there is a gap between two D4 screws.

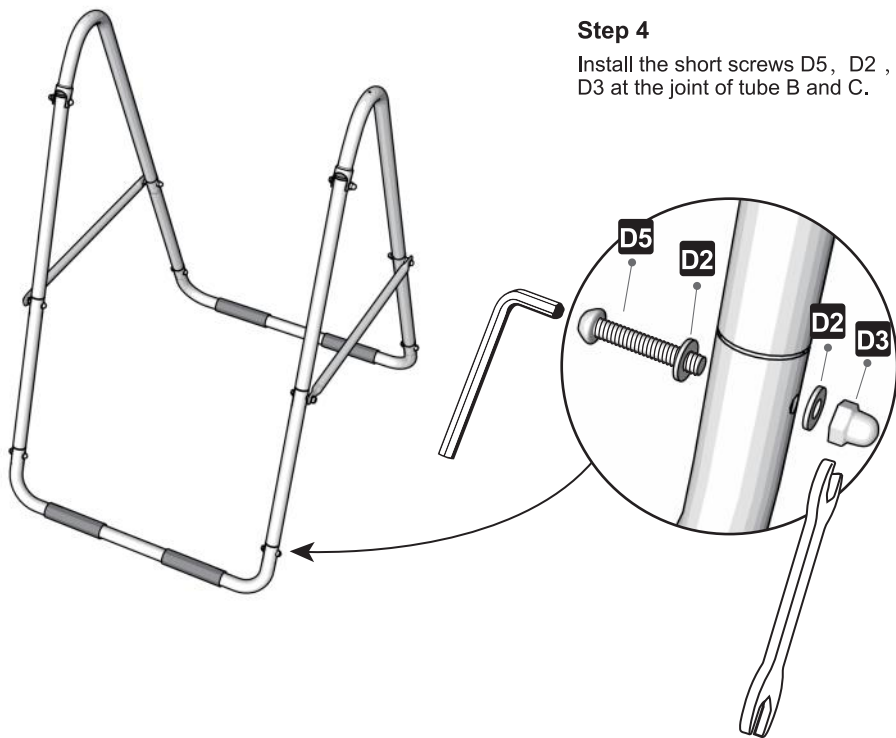


After installation, please ensure that this end of the horizontal support bar can be hung up and taken down.



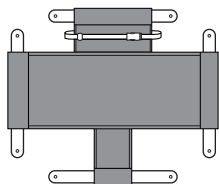
Step 4

Install the short screws D5, D2, D3 at the joint of tube B and C.



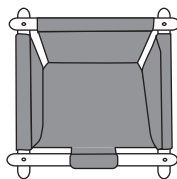
Step 5 Swing Assembly

(1)



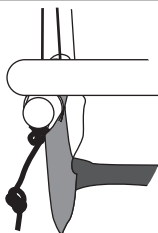
Insert four wooden sticks to the swing bag.

(2)



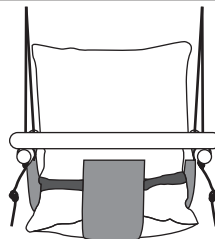
Place the sticks together and align the holes at the end of the sticks.

(3)



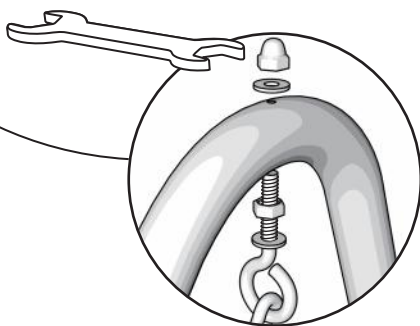
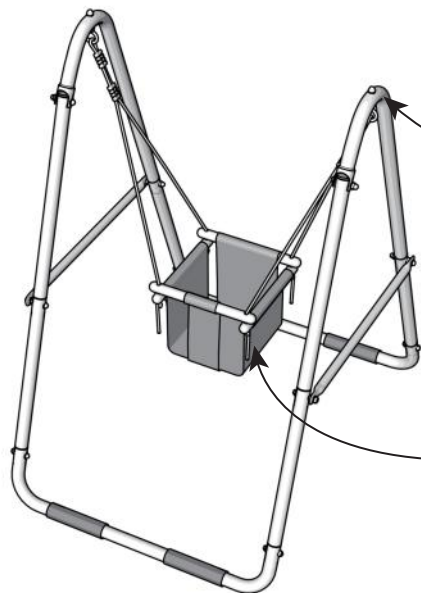
Insert the rope through the holes and tie a double knot.

(4)



Put the cushion into the swing seat.

Step 6 Hang the swing.



Adjust the swing's balance and height by changing the position of the rope knots

Storage

Take down the end of the horizontal support bar and fold it.

