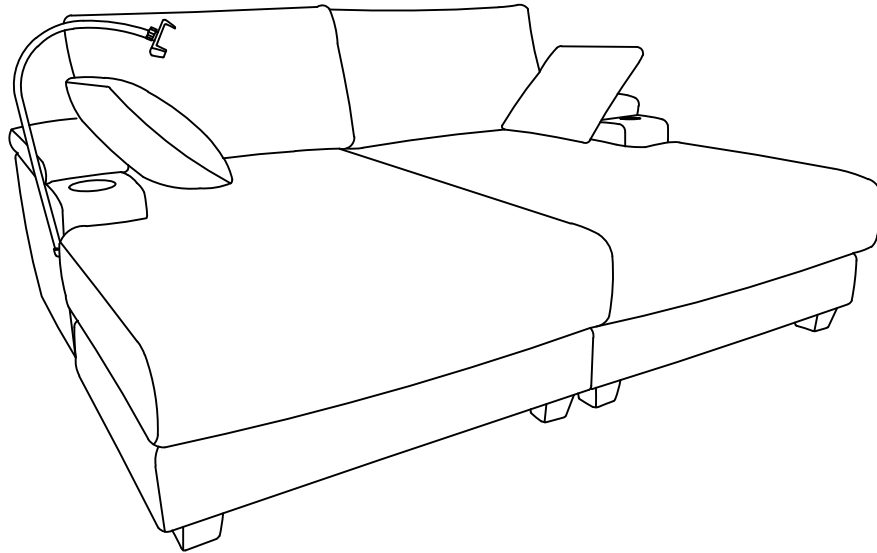


# Assembly Instructions



## IMPORTANT NOTE

\*\*Place all parts on a lean and smooth surface such as a rug or carpet to avoid the parts from being scratched.

\*\*Before you begin, please review the assembly instruction step by step.

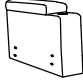

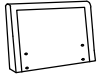


\*\*Return & Warranty Policy:

-We strive to offer the highest quality products. We also provide positive solutions with replacements or refund if needed.



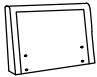









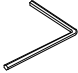
-If the item is damaged or defective, please take photos to show the problem and email to the seller.

-Please do not return back the product before contact the seller.

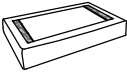
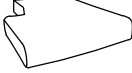


## PART LIST CARTON 1

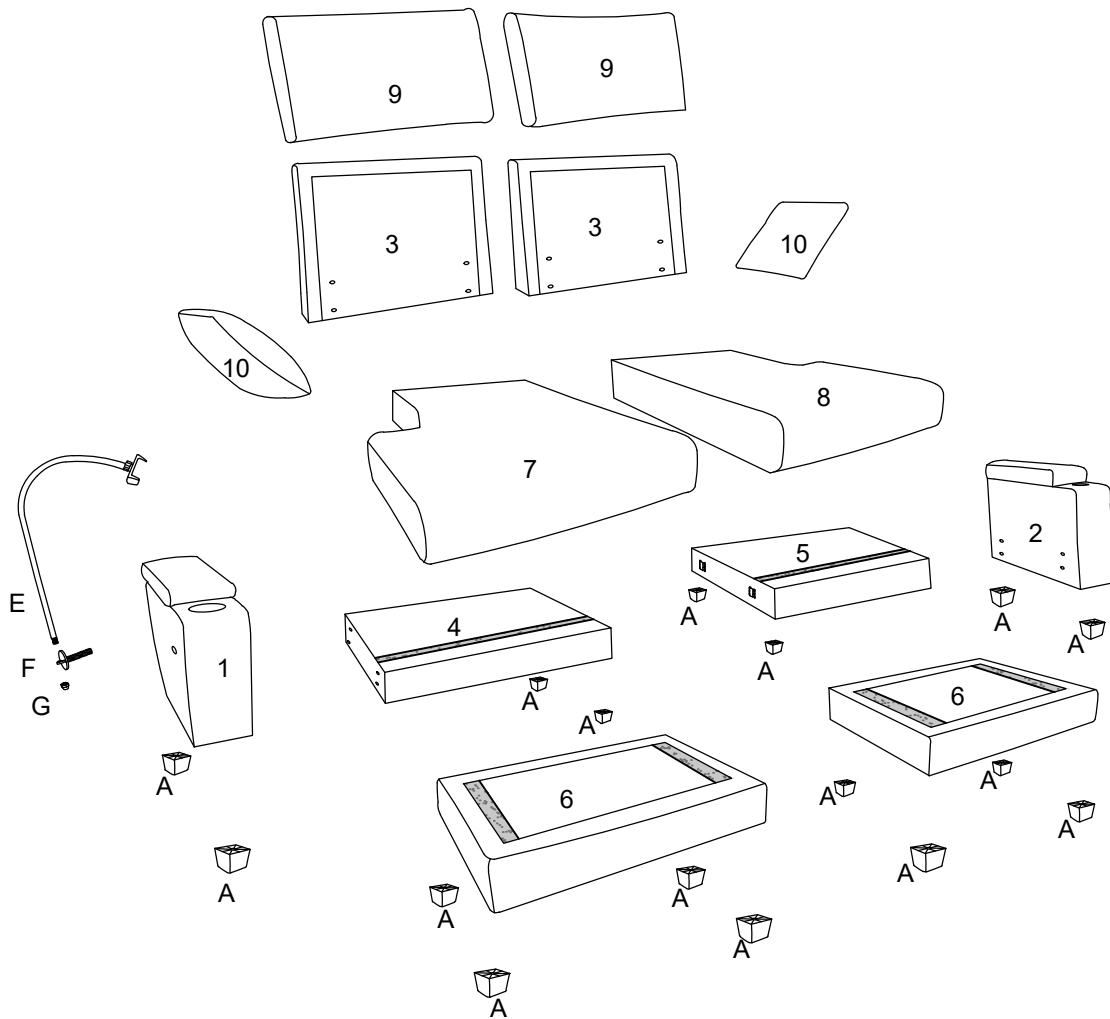
Part No.	Part Image	Part name	QTY	Part No.	Part Image	Part name	QTY
2		Right armrest	x1	5		Right side seat	X1
3		Backrest	x1	10		Throw pillow	X1
A		Leg	x8				

## PART LIST CARTON 2

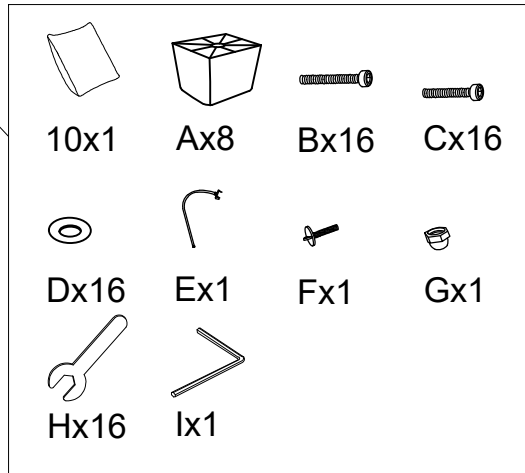
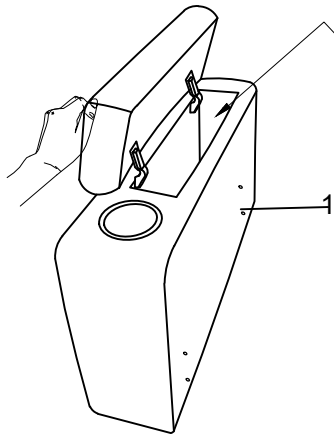
Part No.	Part Image	Part name	QTY	Part No.	Part Image	Part name	QTY
1		Left armrest	x1	4		Left side seat	X1
3		Backrest	x1	10		Throw pillow	X1
A		Leg	x8	B		Bolt 8*60MM	x16
C		Bolt 8*45MM	x16	D		Flat washer	x16
E		Mobile phone stand	x1	F		Screw	x1
G		Nut	x1	H		Open-end wrench	x1
I		Allen Key	x1				

# PART LIST CARTON 2

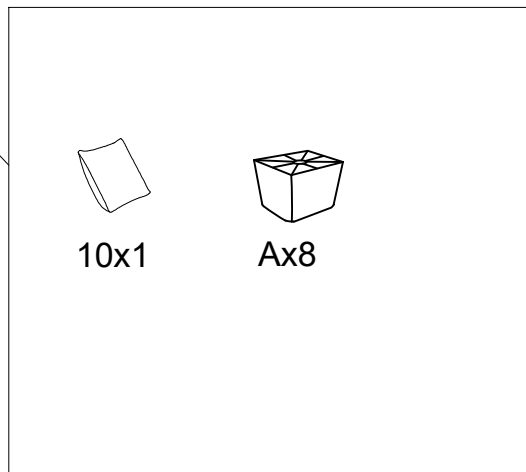
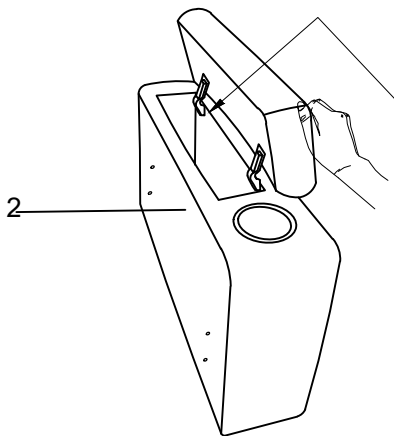
Part No.	Part Image	Part name	QTY	Part No.	Part Image	Part name	QTY
6		Ottoman base	x2	7		Seat cushion	x1
8		Seat cushion	x1	9		Back cushion	x2



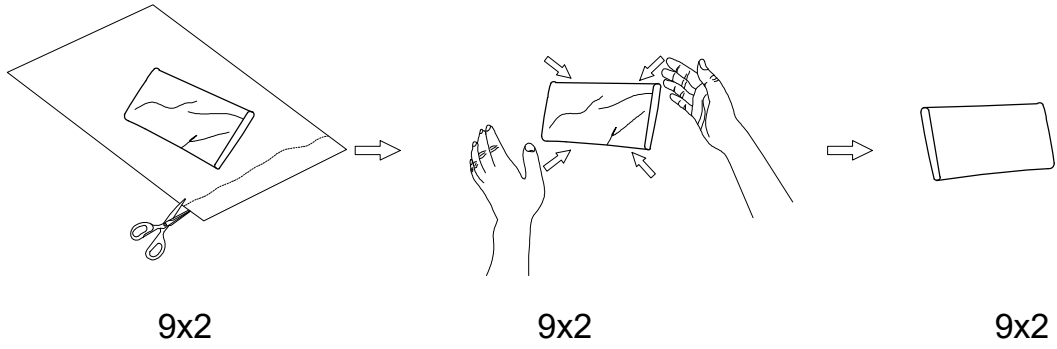
# STEP 1



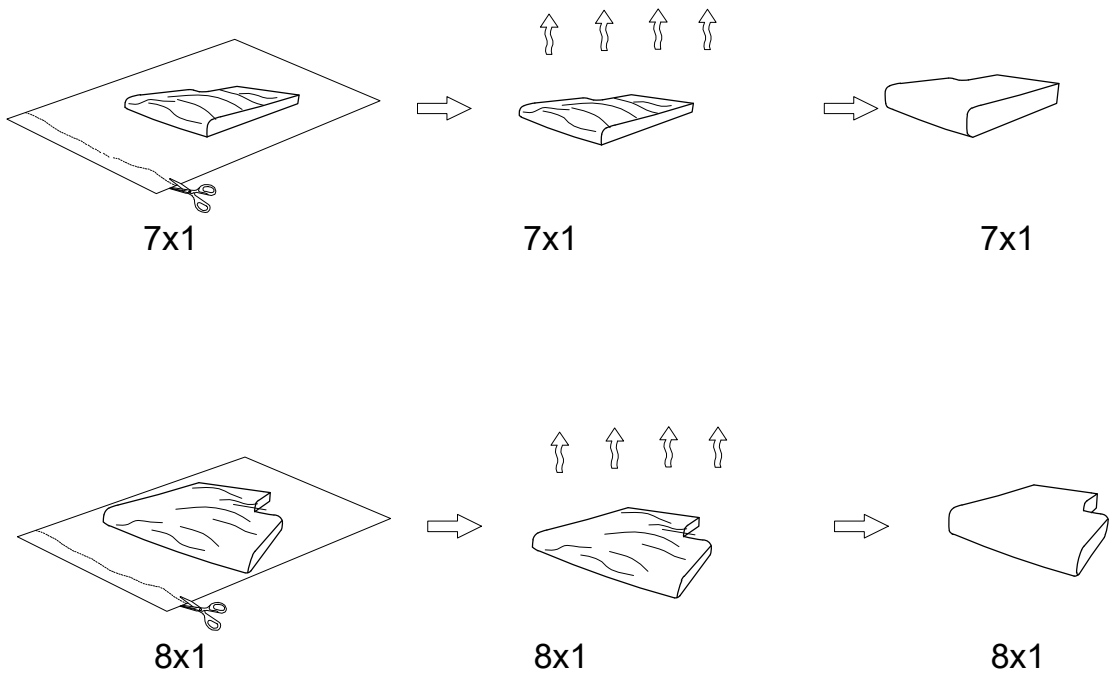
# STEP 2



STEP 3

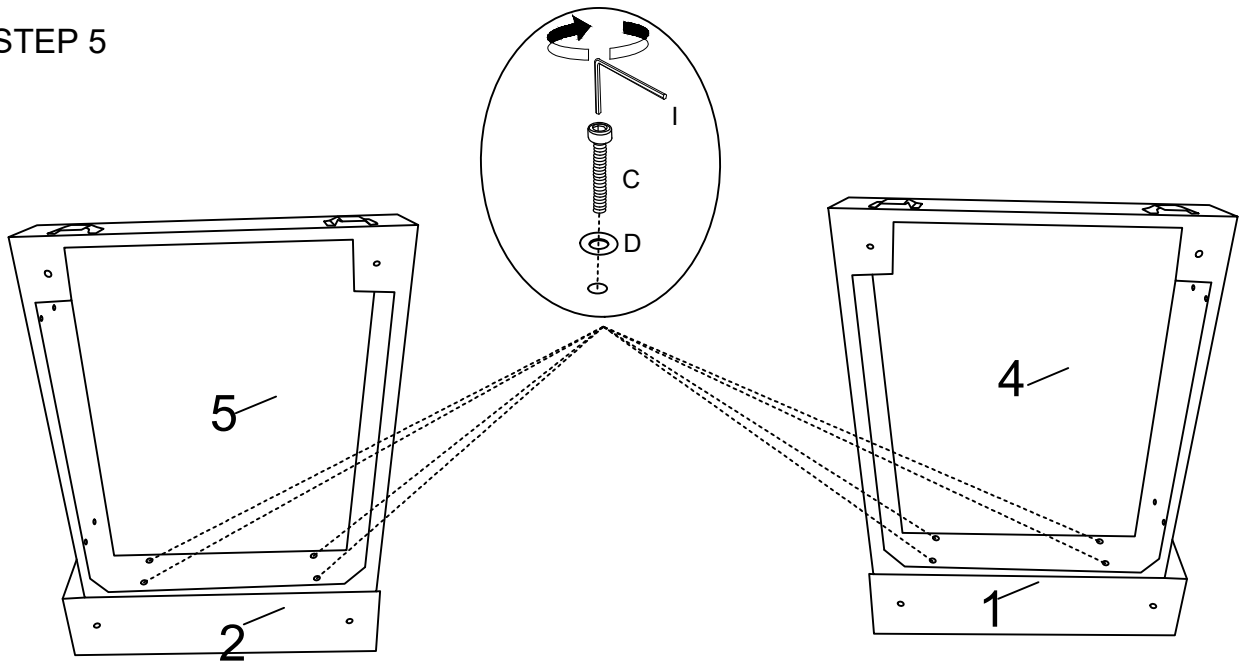


STEP 4



Please wait for 72 hours

STEP 5



Cx8

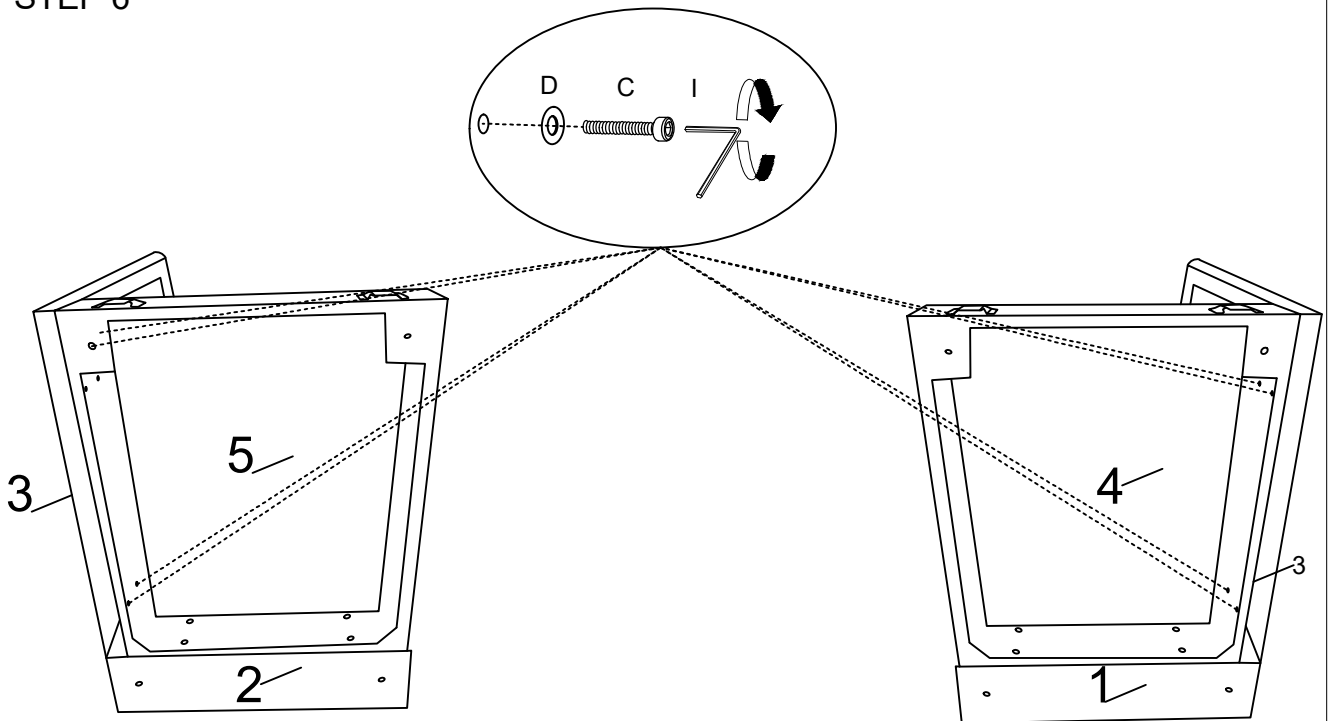


Dx8



Ix1

STEP 6



Cx8

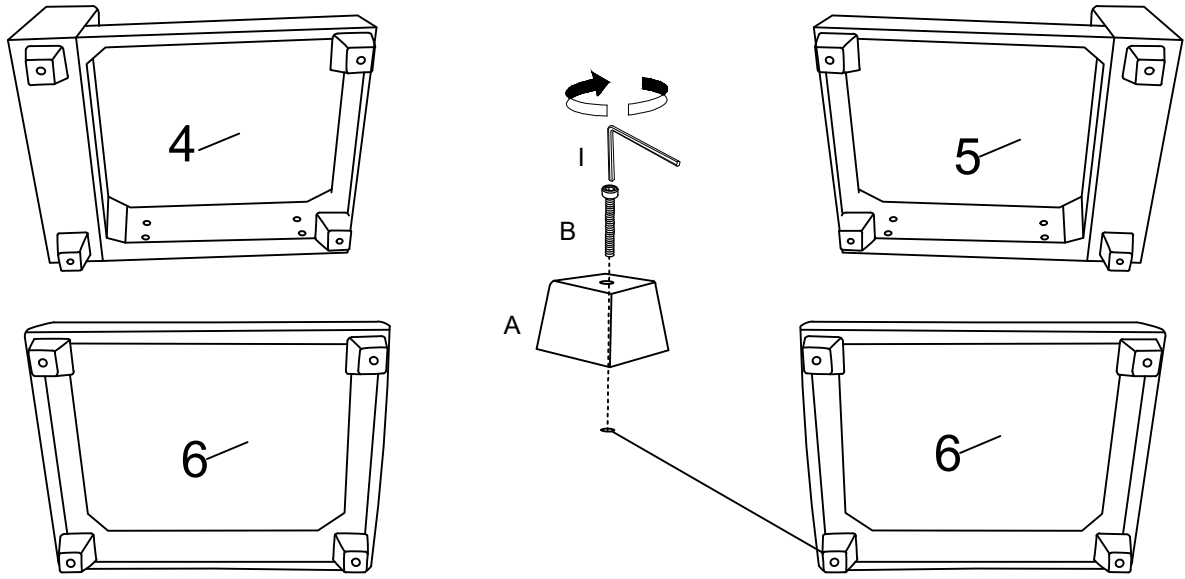


Dx8



Ix1

# STEP 7



Ax16

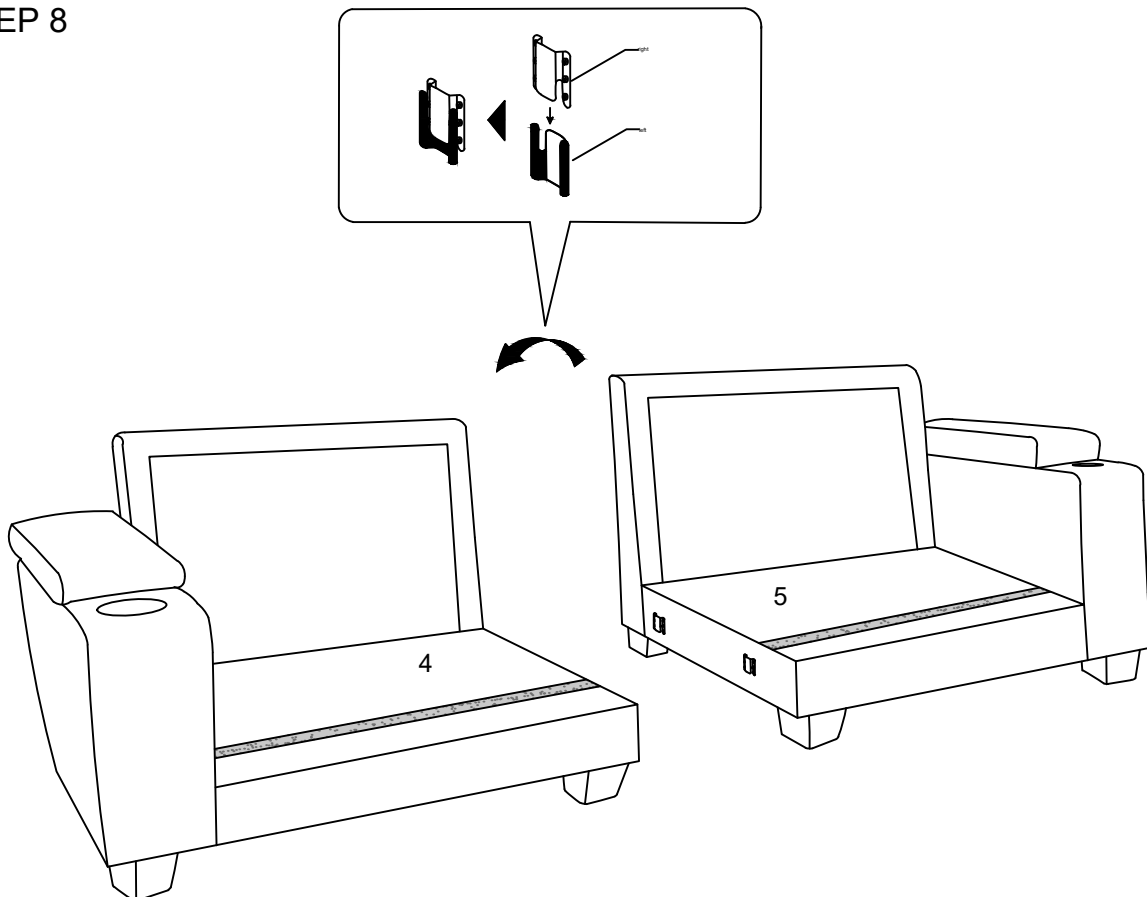


Bx16

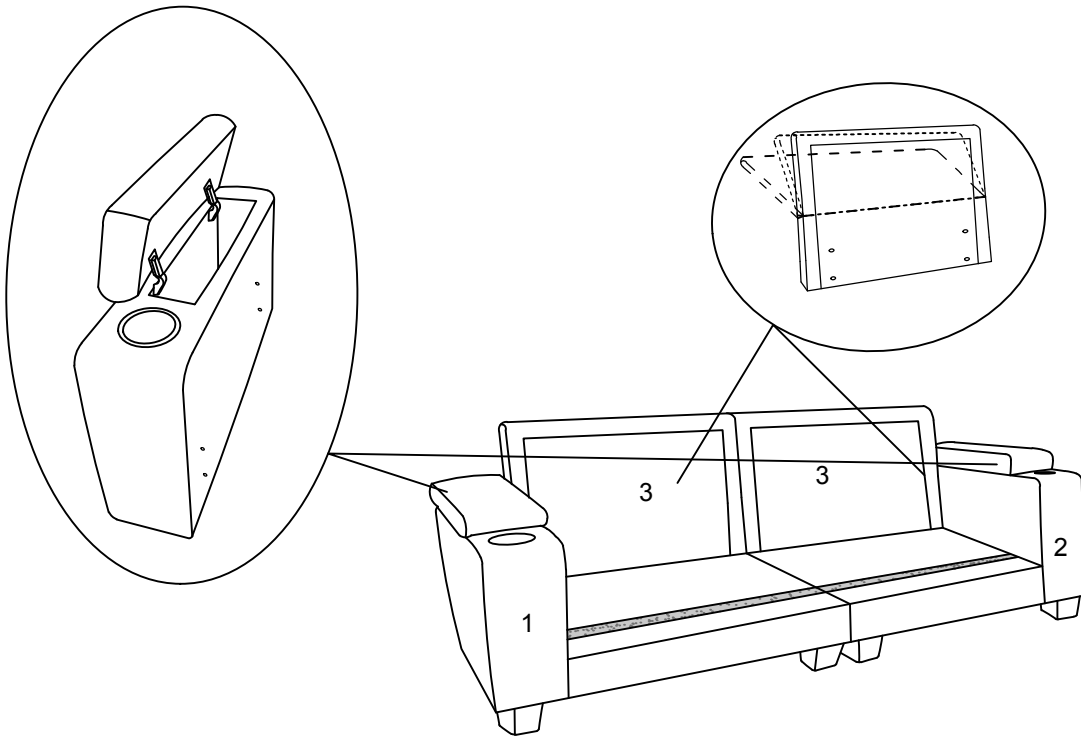


lx1

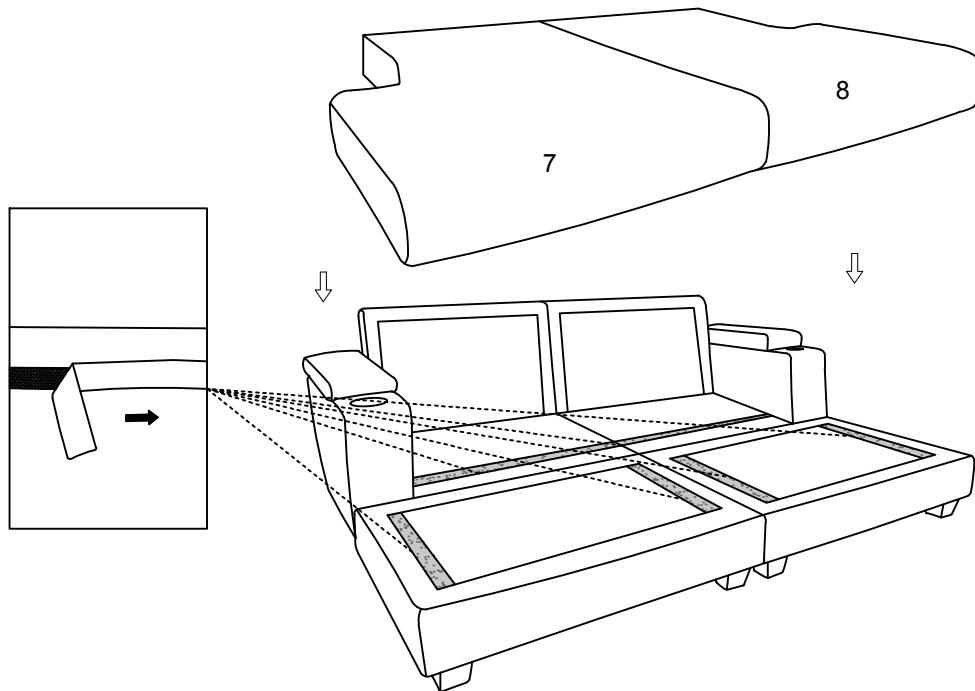
# STEP 8



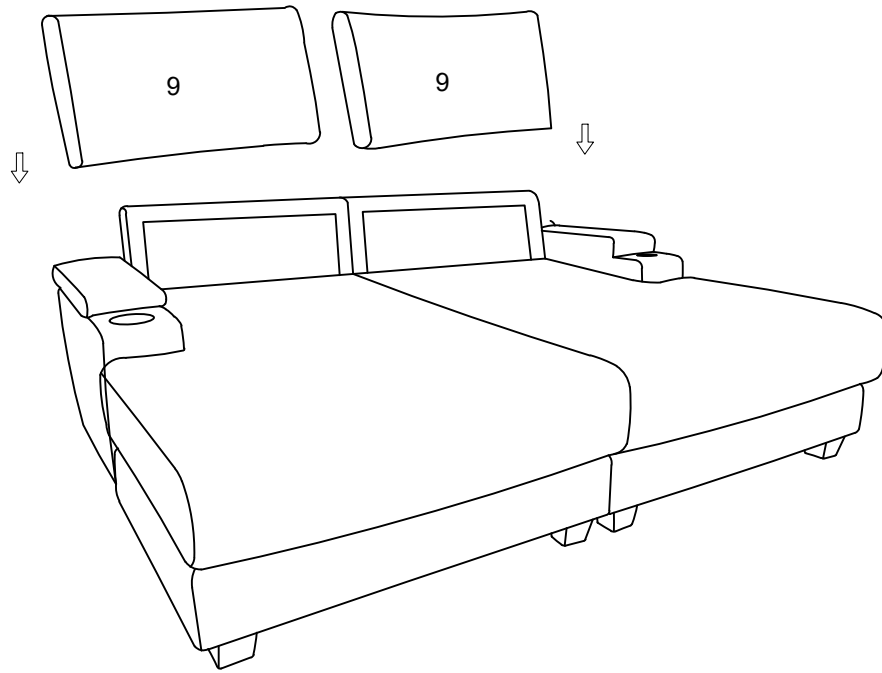
STEP 9



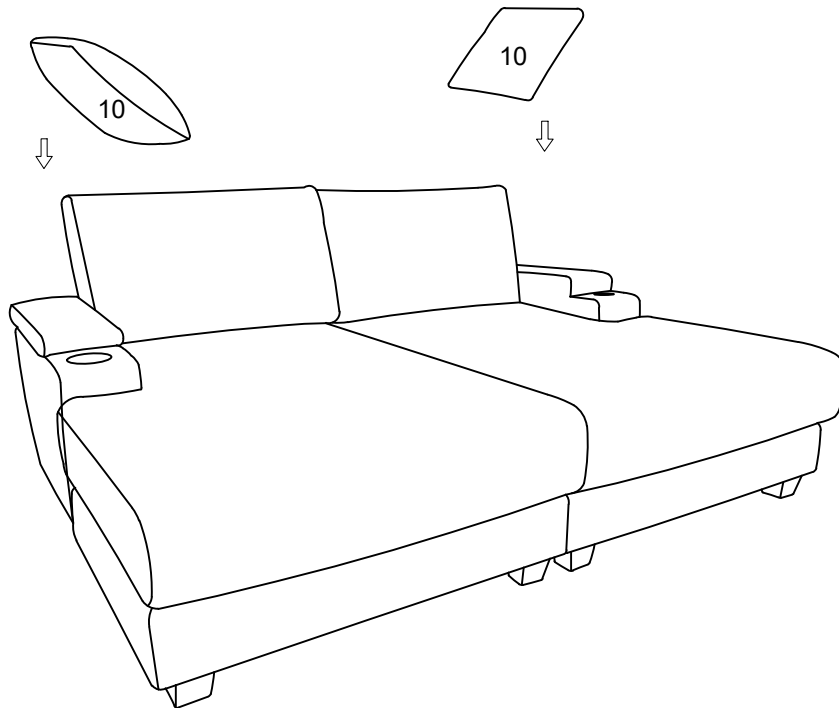
STEP 10



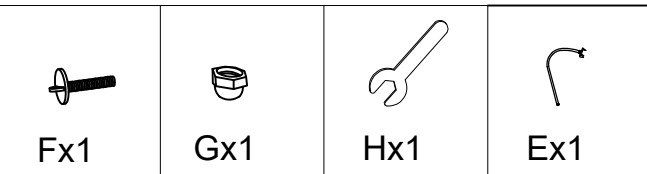
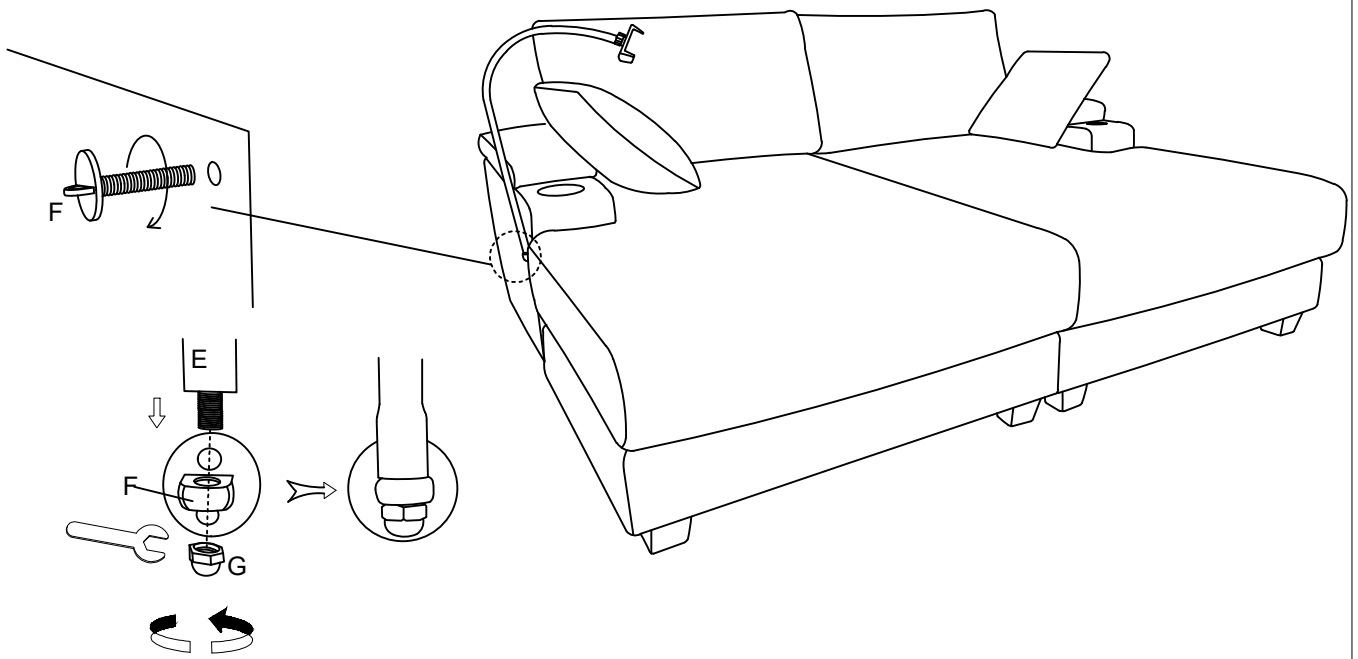
STEP 11



STEP 12



### STEP 13



### STEP 14

