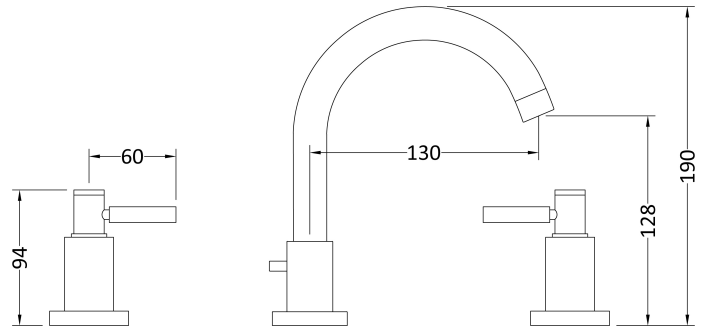


## CUSTOMER DATA SHEET - BRASSWARE

SALES CODE: TEL337

DESCRIPTION: Tec Lever 3 T/H Basin Mixer Puw



### PRODUCT DIMENSIONS

Height (mm)	Width (mm)	Depth (mm)	Length (mm)	Nett Wgt Kg
190	235	170		3.23

### PACKAGING DIMENSIONS

Height (mm)	Width (mm)	Depth (mm)	Gross Wgt Kg
85	175	390	3.23

### PACKAGING DATA

Box Colour	White Cardboard Box		
Box Qty	1	Label Colour	White Label
Label Size	100 x 50	Label Qty	2

### OUTER BOX DIMENSIONS (If Applicable)

Height (mm)	Width (mm)	Depth (mm)	Length (mm)	Gross Wgt Kg
350	400	370		19
Barcode	5055146192060			

### PRODUCT DETAILS

Country of Origin			
Fitting Instruction	Yes		
Product Material	Brass		
Control Type	Manual		
Waste Included	Waste Not Included		
WRAS Approval	No	Approval No.	N/A
Operating Pressure (bar)	0.1		
Valve/Cartridge Type	1/4 Turn Ceramic Disc		

Colour/Finish	Chrome									
Mount Type	Deck									
Waste Type	Not Applicable									
Flow Rates (Litres Per Min)	0.1 bar	4	0.5 bar	14	1 bar	22	2 bar	28	3 bar	32
Pipe Size	15 mm (1/2" Bsp)									
Pipe Centres	N/A									