

ASSEMBLY INSTRUCTION

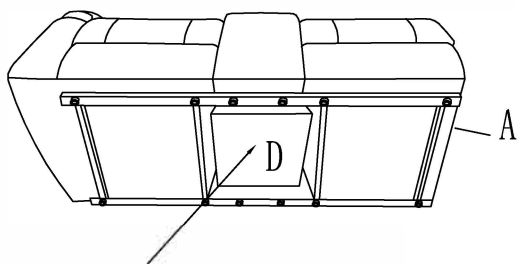
LSF DOUBLE RECLINING LOVE SEAT WITH CENTER CONSOLE

CONSOLE BACK REST IS STORED IN THE BOTTOM OF THE SEAT, PLEASE TAKE OUT FOR ASSEMBLY.

NO.	PARTS LIST	QTY	DESCRIPTION
A		1	SEAT
B		1	LSF BACK REST
C		1	RSF BACK REST
D		1	CONSOLE BACK REST
E		1	LSF EAR

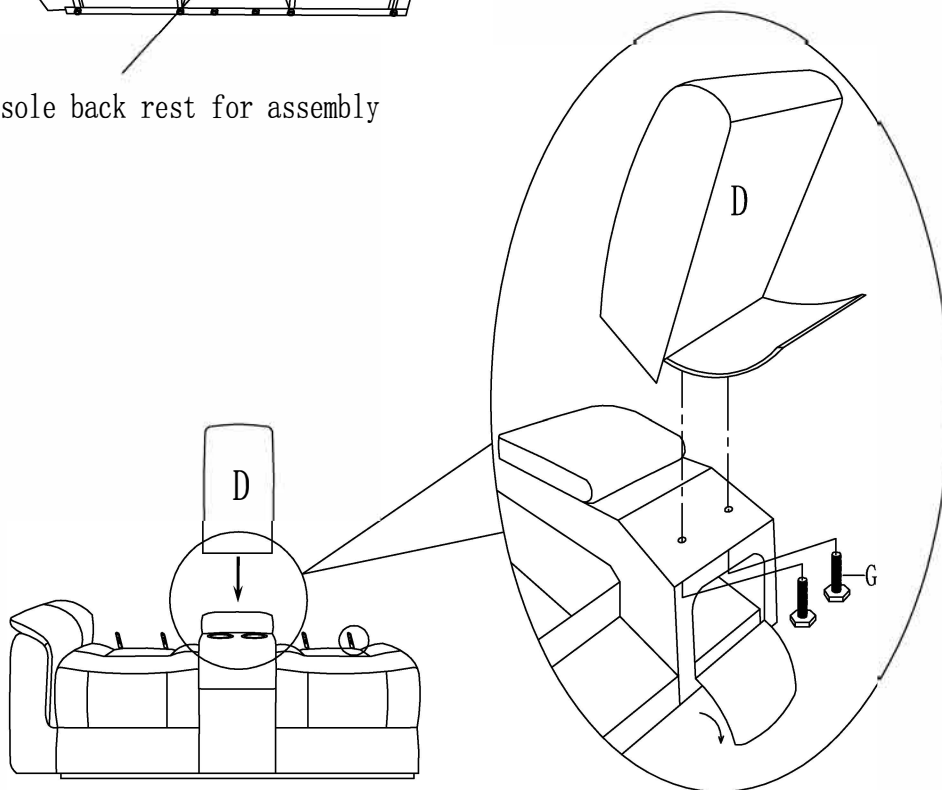
NO.	HARDWARE LIST	QTY	DESCRIPTION
G		2	BOLT

STEP 1



Take out Console back rest for assembly

STEP 2



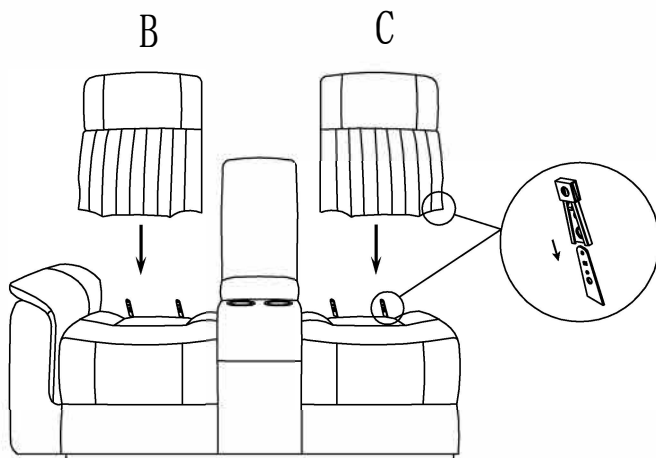
ASSEMBLY INSTRUCTION

LSF DOUBLE RECLINING LOVE SEAT WITH CENTER CONSOLE

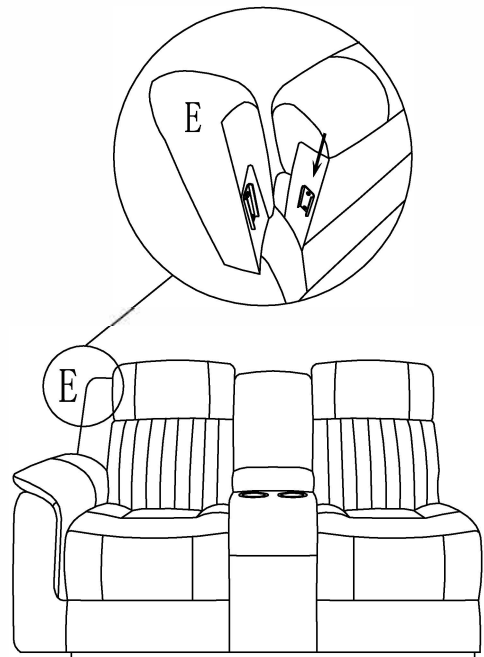
Step 3 # Align the femal metal bracket at the back onto the male metal bracket at the seat, insert back rest to the seat then push to the end and make sure it is fixed in position securely.

Step 4 # Align the metal bracket at the ear onto the male metal bracket at the back rest, push the ear down and make sune it is fixed in position securely.

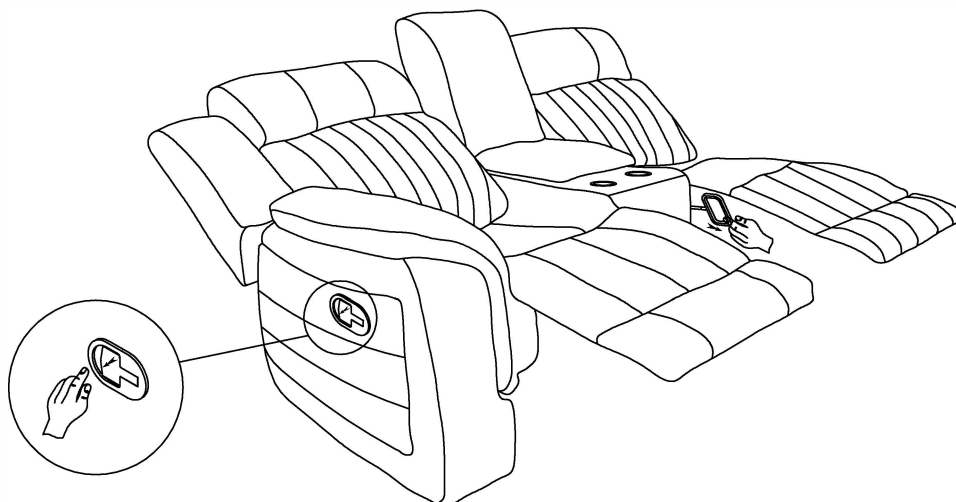
STEP 3



STEP 4



Step 5 # Completed





CARE INTRUCTION POLISHED MICROFIBER FURNITURE

In order to maintain the original appearance of your polished microfiber furniture, please follow below simple care procedures.

°Avoid exposing furniture directly to sunlight or heating and air conditioning outlets. Exposure to sunlight or heating and air conditioning outlets will fade/damage polished microfiber .

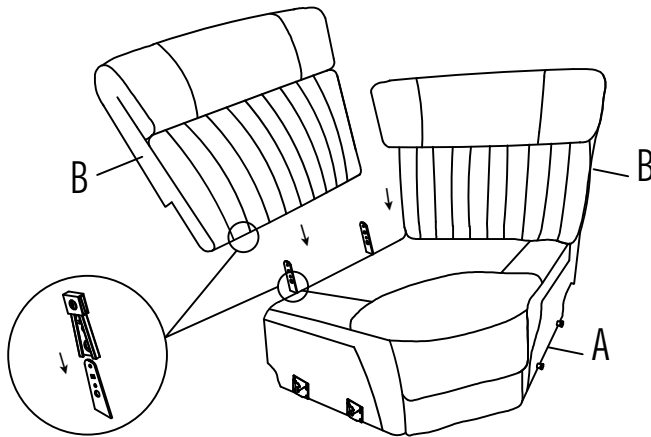
°Wipe gently with a damp soft cloth to remove dust , dirt and any grime build up.

ASSEMBLY INSTRUCTION CORNER SEAT

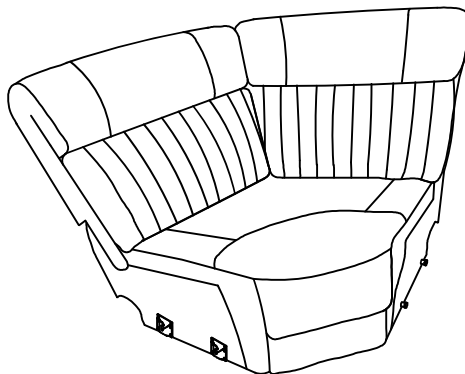
NO.	PARTS LIST	QTY	DESCRIPTION
A		1	SEAT
B		2	LSF/RSF BACK REST

Step 1 # Align the femal metal bracket at the back onto the male metal bracket at the seat, insert back rest to the seat then push to the end and make sure it is fixed in position securely.

STEP 1



STEP 2 # COMPLETED



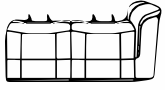

CARE INTRUCTION POLISHED MICROFIBER FURNITURE



In order to maintain the original appearance of your polished microfiber furniture, please follow below simple care procedures.

°Avoid exposing furniture directly to sunlight or heating and air conditioning outlets. Exposure to sunlight or heating and air conditioning outlets will fade/damage polished microfiber .

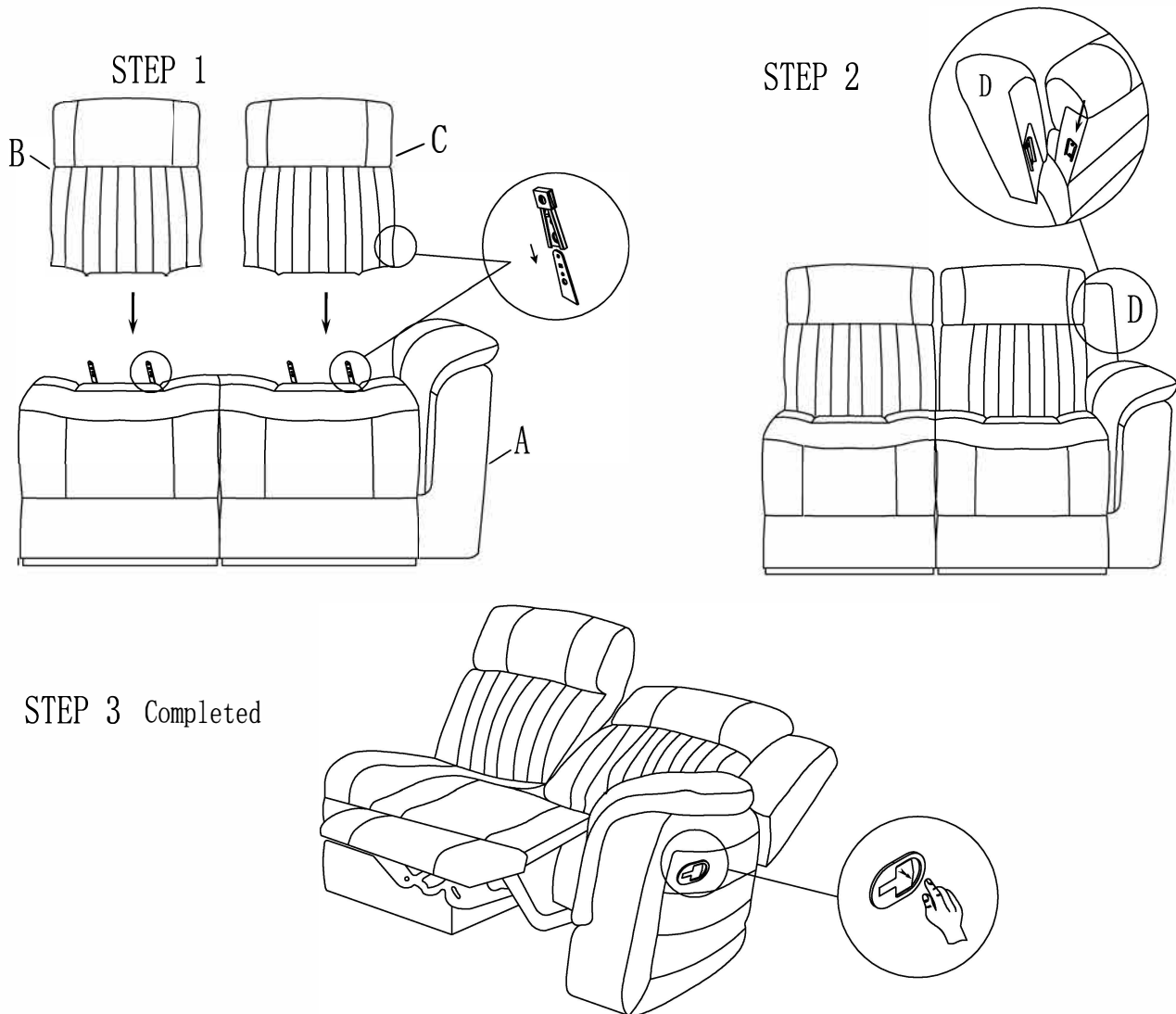
°Wipe gently with a damp soft cloth to remove dust , dirt and any grime build up.

ASSEMBLY INSTRUCTION RSF RECLINING LOVE SEAT

NO.	PARTS LIST	QTY	DESCRIPTION
A		1	SEAT
B		1	LSF BACK REST

NO.	HARDWARE LIST	QTY	DESCRIPTION
C		1	RSF BACK REST
D		1	RSF EAR

Step 1 # Align the femal metal bracket at the back onto the male metal bracket at the seat, insert back rest to the seat then push to the end and make sure it is fixed in position securely.
 Step 2 # Align the metal bracket at the ear onto the male metal bracket at the back rest, push the ear down and make sune it is fixed in position securely.



CARE INTRUCTION POLISHED MICROFIBER FURNITURE

In order to maintain the original appearance of your polished microfiber furniture, please follow below simple care procedures.
 °Avoid exposing furniture directly to sunlight or heating and air conditioning outlets. Exposure to sunlight or heating and air conditioning outlets will fade/damage polished microfiber .
 °Wipe gently with a damp soft cloth to remove dust , dirt and any grime build up.