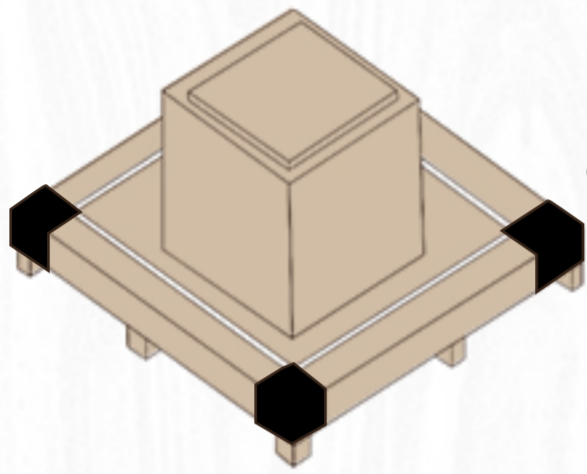
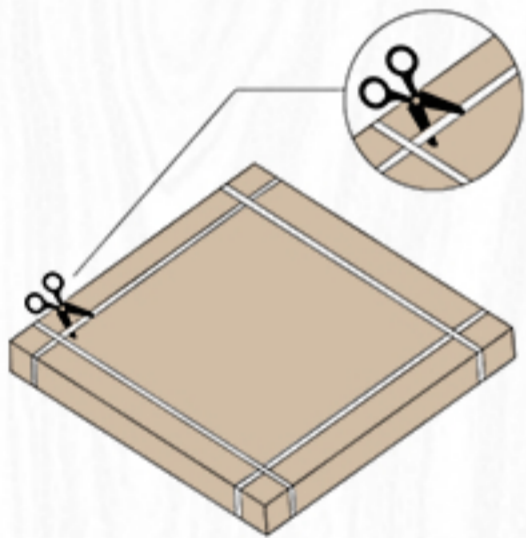


INSTALLATION INSTRUCTION

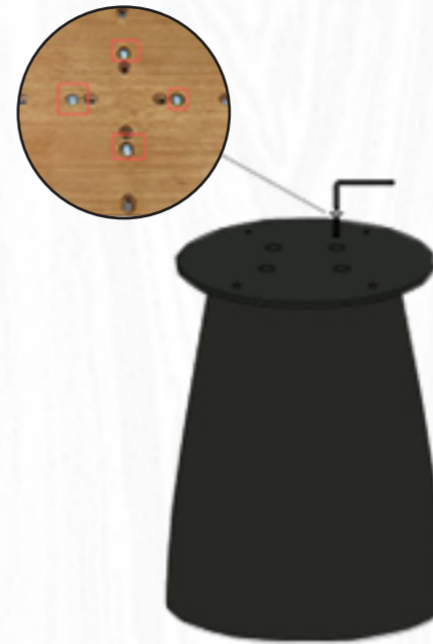


- ① Check the integrity of the outer box after receiving the package.



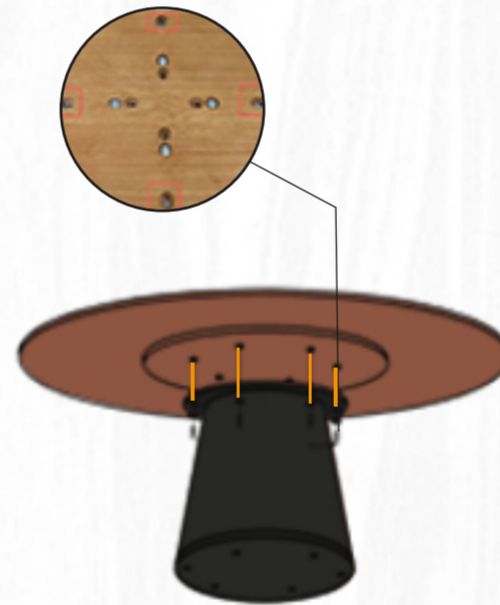
- ② Cut off the PP belt with scissor and open the packaging box directly.

Plz check whether the following parts are in good condition:
Desktop, link board, pedestal



- ④ Place the connecting plate on the base and secure the connecting plate and base with screws.

(Tips: It is recommended not to tighten each screw too much at the beginning.)



- ⑤ Flip the dining table, align the holes on the connecting plate with those on the table, and use a screwdriver to install the screws.

(Tips: When you get to the last screw, tighten the screws that are not tightened in front.)



- ③ Align all the holes on the desktop, connecting plate, and chassis



- ⑥ Assembly completed.