

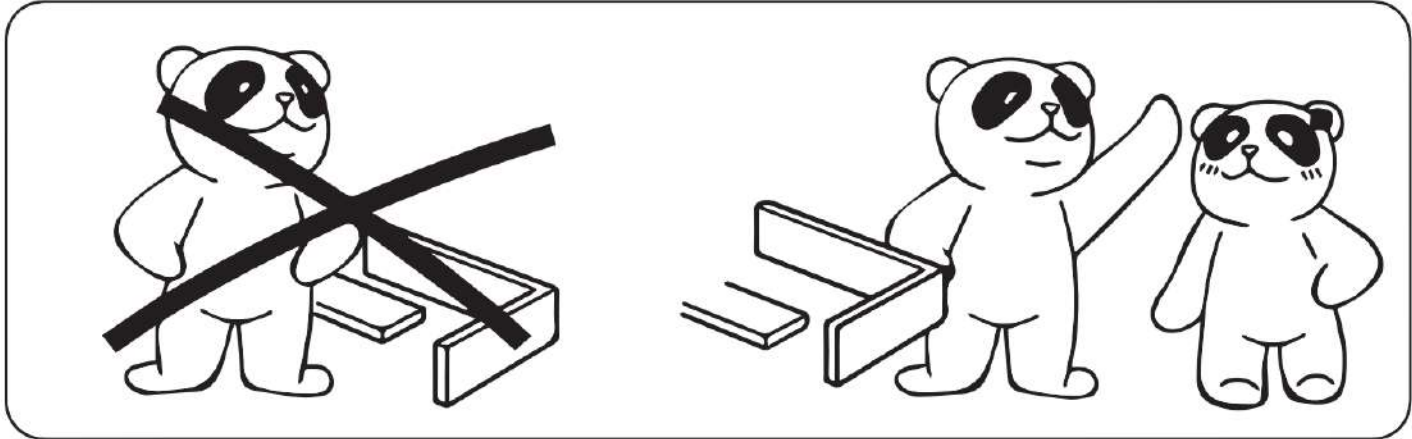
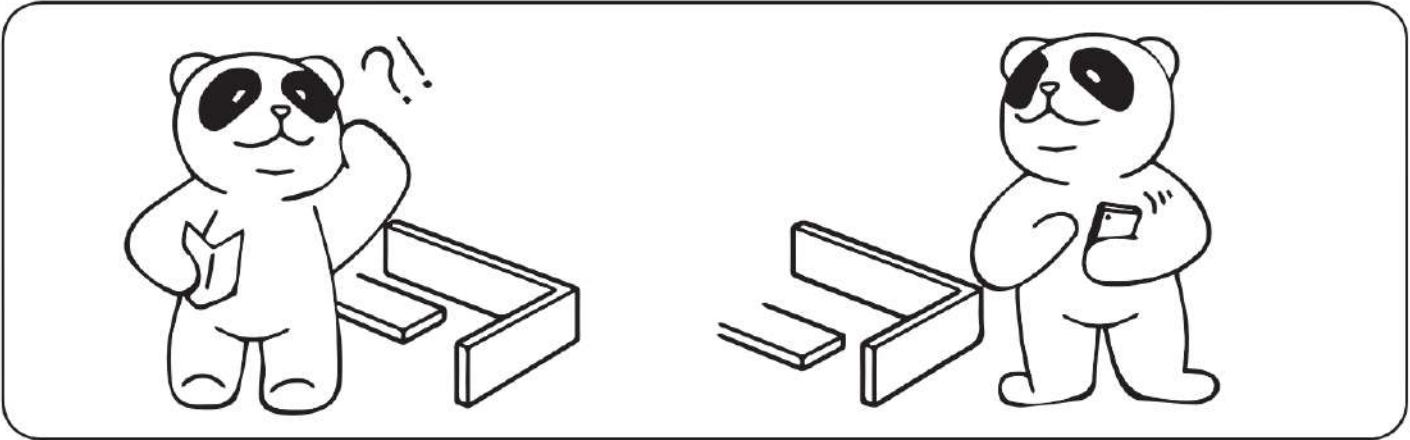
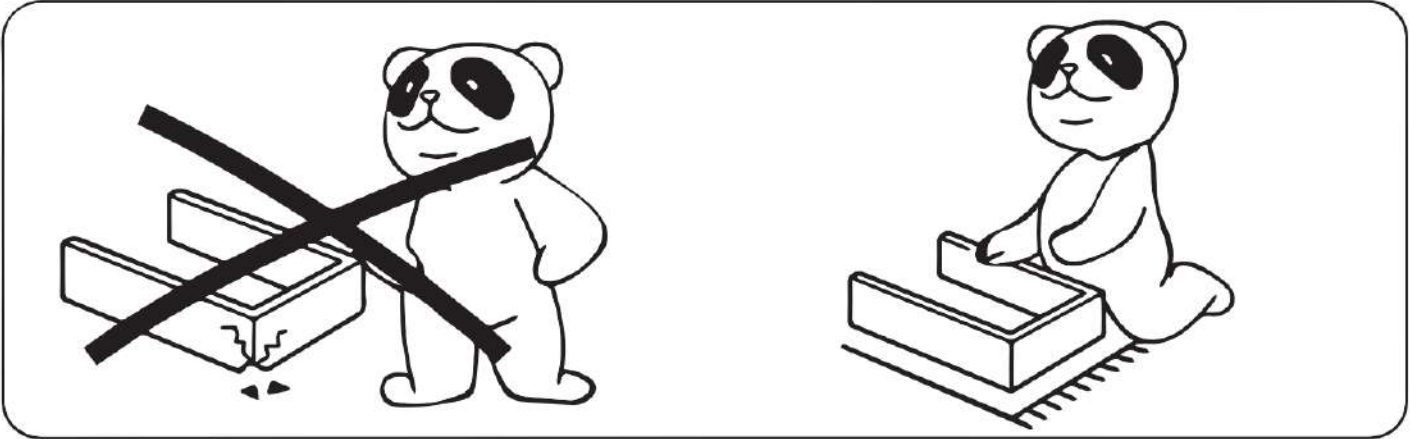
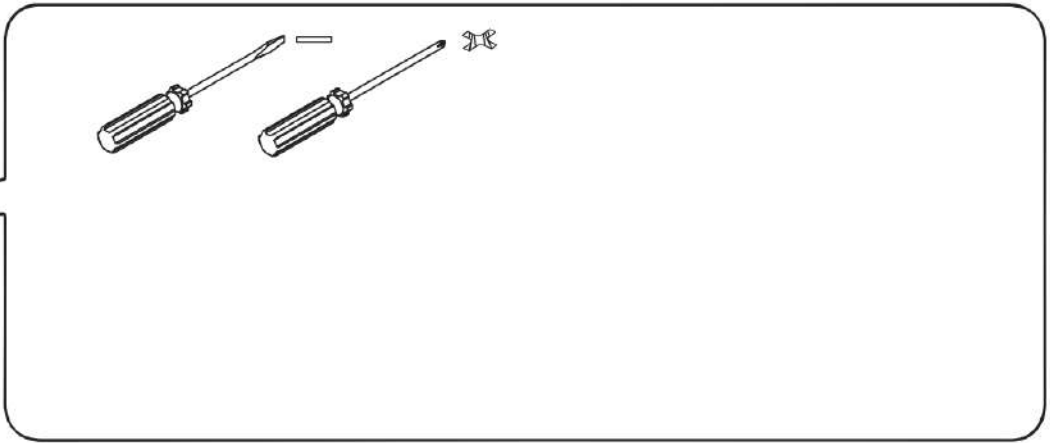


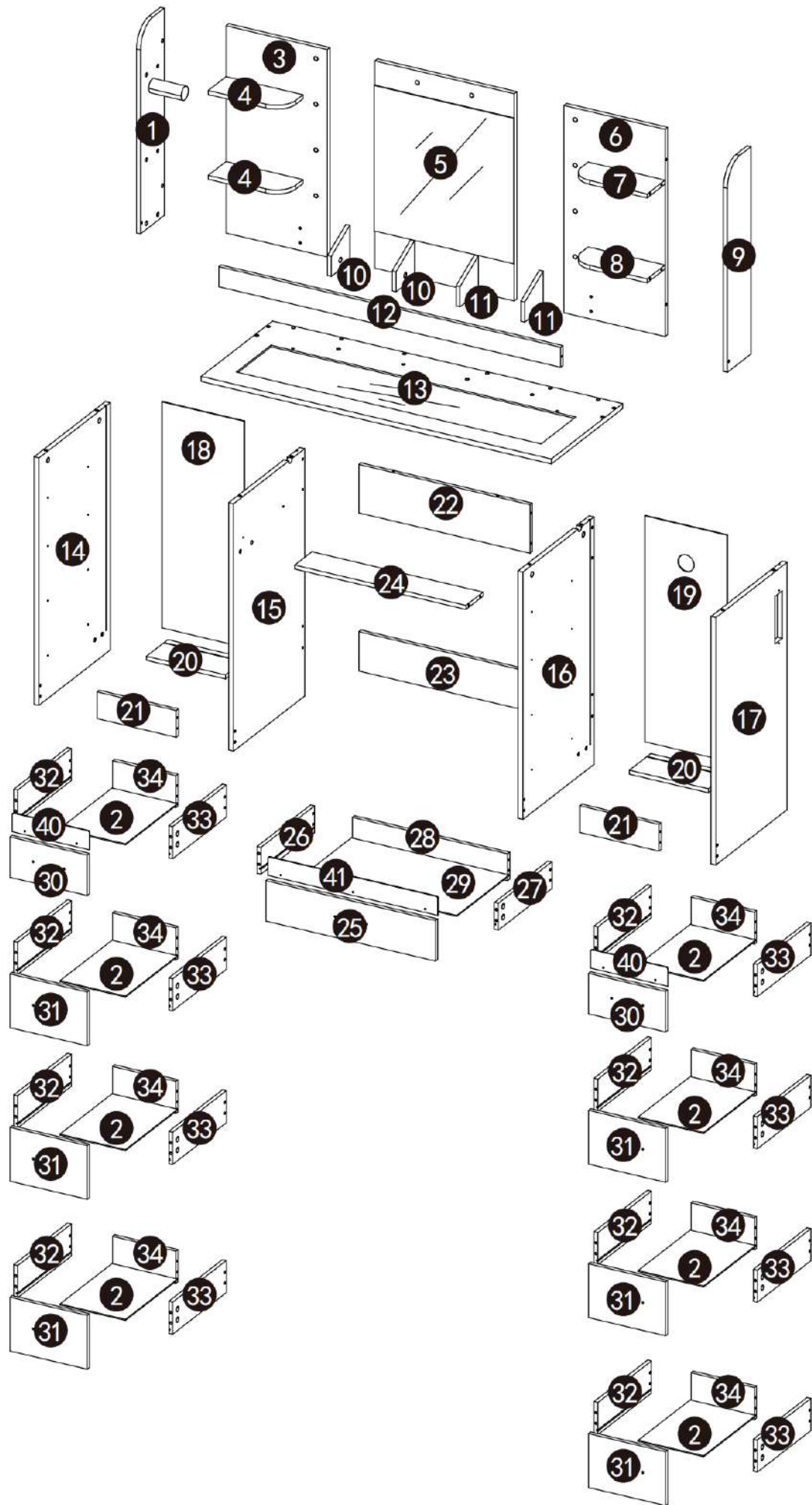
BDT95

Instruction Manual

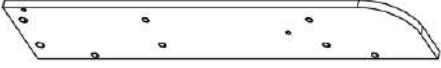

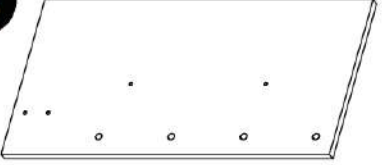


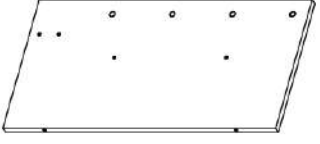
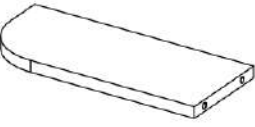
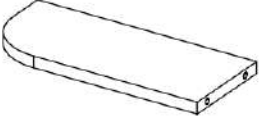

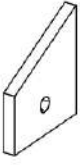
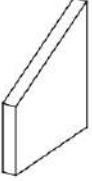

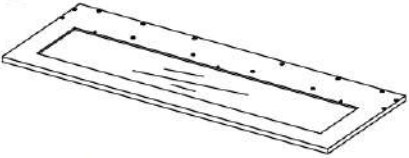

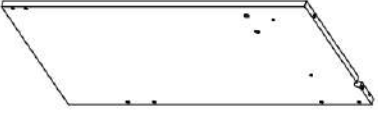





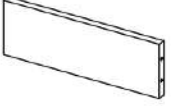
Thanks a lot your support and purchasing.

Please feel free to contact us if you have any questions with assembly or need replacement parts.



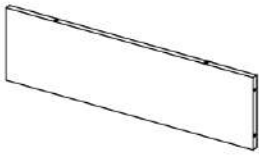


PARTS LIST

<p>1</p>  <p>641x110x12mm x1</p>	<p>2</p>  <p>183x296x3mm x8</p>	<p>3</p>  <p>276x640x12mm x1</p>
<p>4</p>  <p>205x96x12mm x2</p>	<p>5</p>  <p>470x640x12mm x1</p>	<p>6</p>  <p>276x640x12mm x1</p>
<p>7</p>  <p>205x96x12mm x1</p>	<p>8</p>  <p>205x96x12mm x1</p>	<p>9</p>  <p>641x110x12mm x1</p>
<p>10</p>  <p>95x84x12mm x2</p>	<p>11</p>  <p>95x84x12mm x2</p>	<p>12</p>  <p>1022x50x12mm x1</p>
<p>13</p>  <p>1050x400x15mm x1</p>	<p>14</p>  <p>745x398x12mm x1</p>	<p>15</p>  <p>745x398x12mm x1</p>
<p>16</p>  <p>745x398x12mm x1</p>	<p>17</p>  <p>745x398x12mm x1</p>	<p>18</p>  <p>233x661x3mm x1</p>
<p>19</p>  <p>233x661x3mm x1</p>	<p>20</p>  <p>225x100x12mm x2</p>	<p>21</p>  <p>225x80x12mm x2</p>

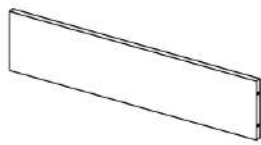
PARTS LIST

22



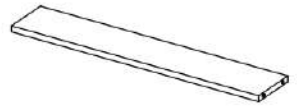
548x145x12mm x1

23



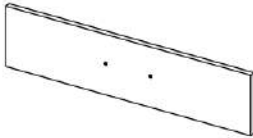
548x120x12mm x1

24



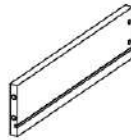
548x80x12mm x1

25



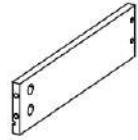
544x133x12mm x1

26



300x80x12mm x1

27



300x80x12mm x1

28



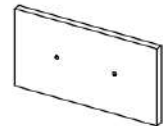
498x80x12mm x1

29



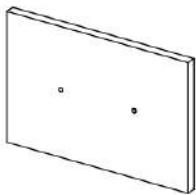
506x296x3mm x1

30



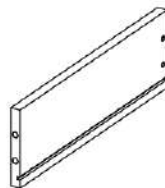
221x133x12mm x2

31



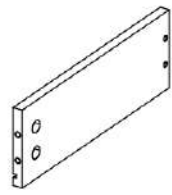
221x163x12mm x6

32



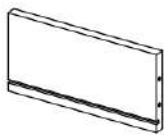
300x100x12mm x8

33



300x100x12mm x8

34



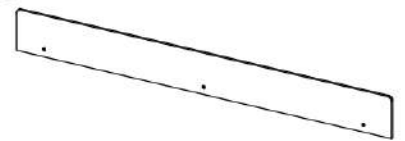
175x100x12mm x8

40



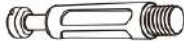

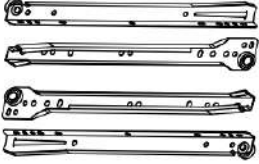



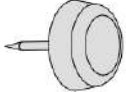

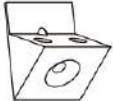





221x58x3mm x2

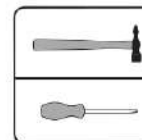
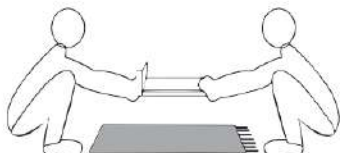
41



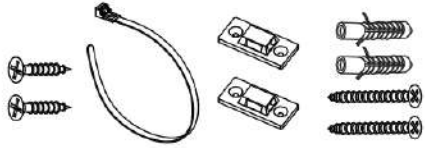




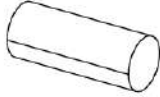
544x58x3mm x1

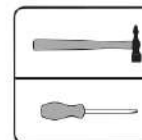
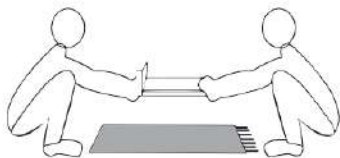
HARDWARE LIST

<p>A  6x40 x84</p>	<p>B  15x11 x84</p>
<p>C=CL+DL+CR+DR  C 12inches x9</p>	<p>D  x1</p>
<p>E  M3.5x12 x89</p>	<p>F  M5x40/#3 x69/x1</p>
<p>G  x8</p>	<p>H  96mm x9</p>
<p>J  x8</p>	<p>K  x1</p>
<p>L  21mm x20</p>	<p>M  M4x14 x18</p>
<p>N  M3x14 x15</p>	<p>O  x6</p>



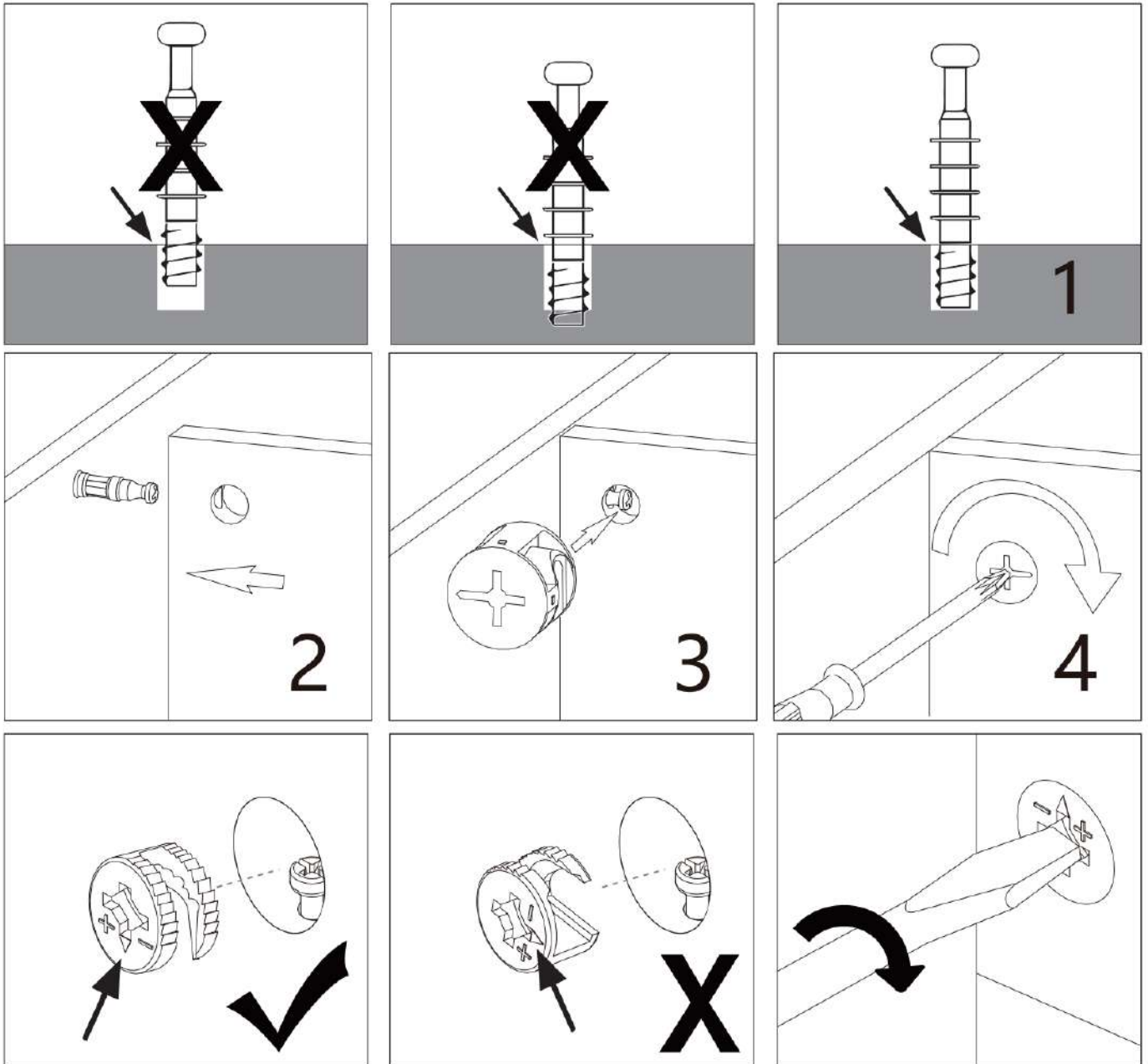
HARDWARE LIST

<p>P</p>  <p>x1</p>	<p>R</p>  <p>x5</p>
<p>S</p>  <p>x3</p>	<p>T</p>  <p>x1</p>
<p>U</p>  <p>M6x20 x1</p>	<p>W</p>  <p>Ø50x115 x1</p>

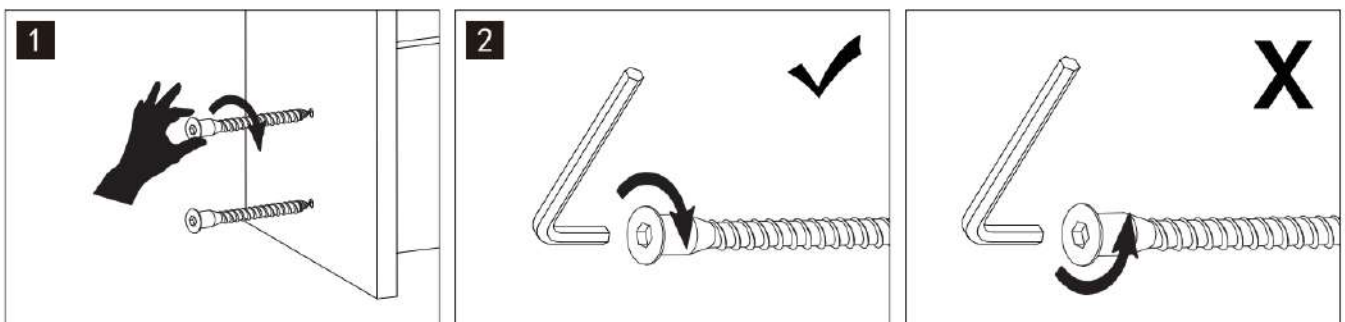


Hardware installation indication

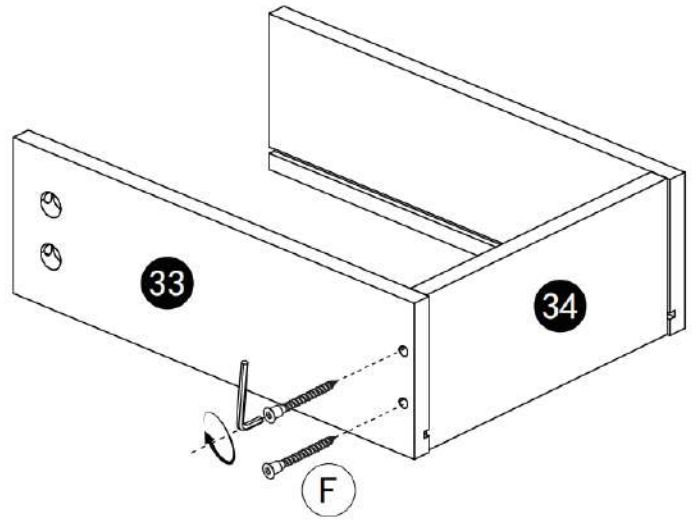
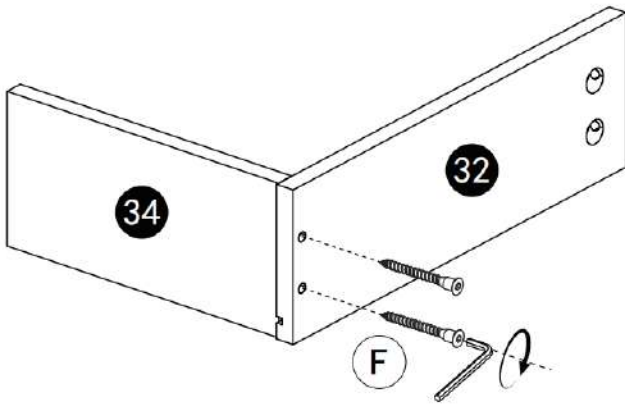
Installation method of three in one rod and buckle



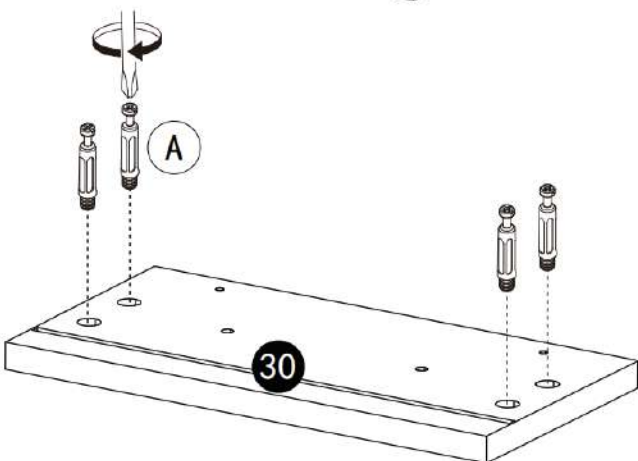
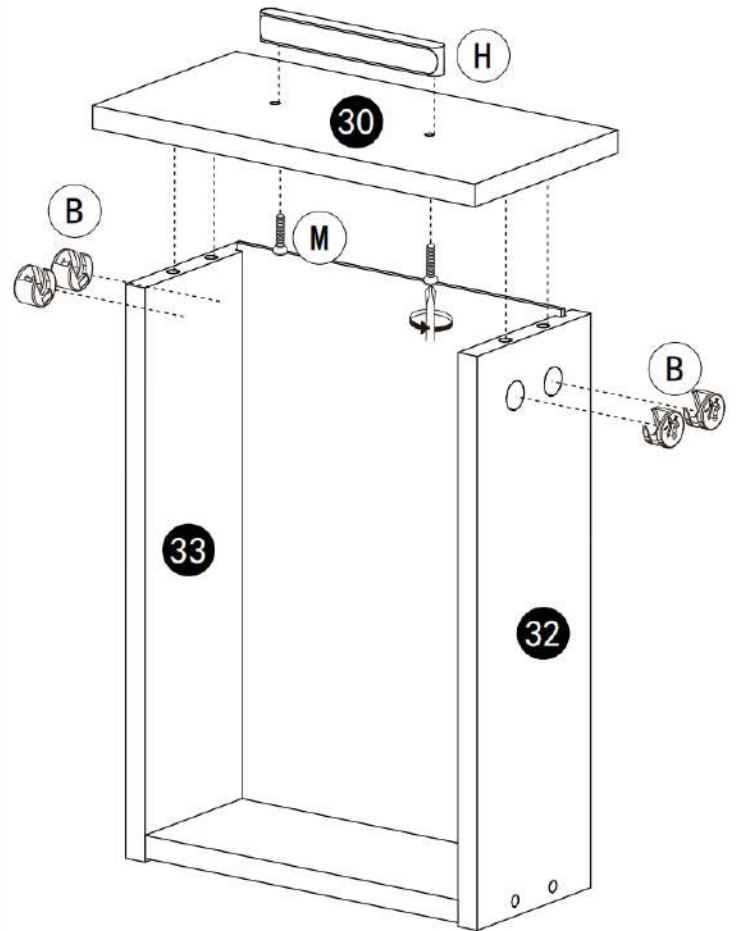
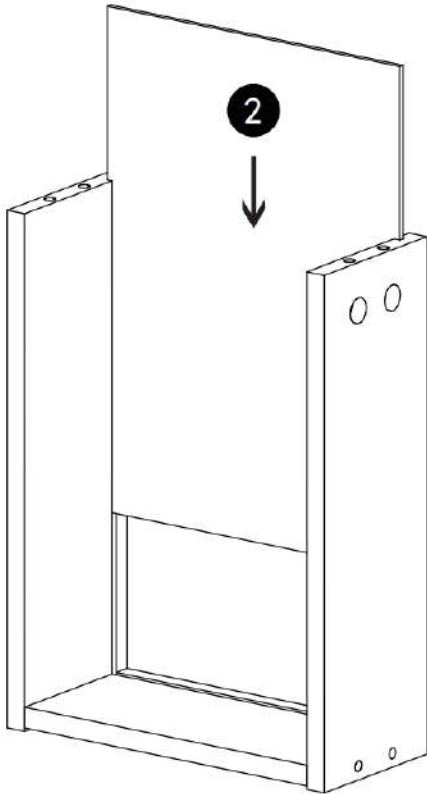
Screw installation method



1

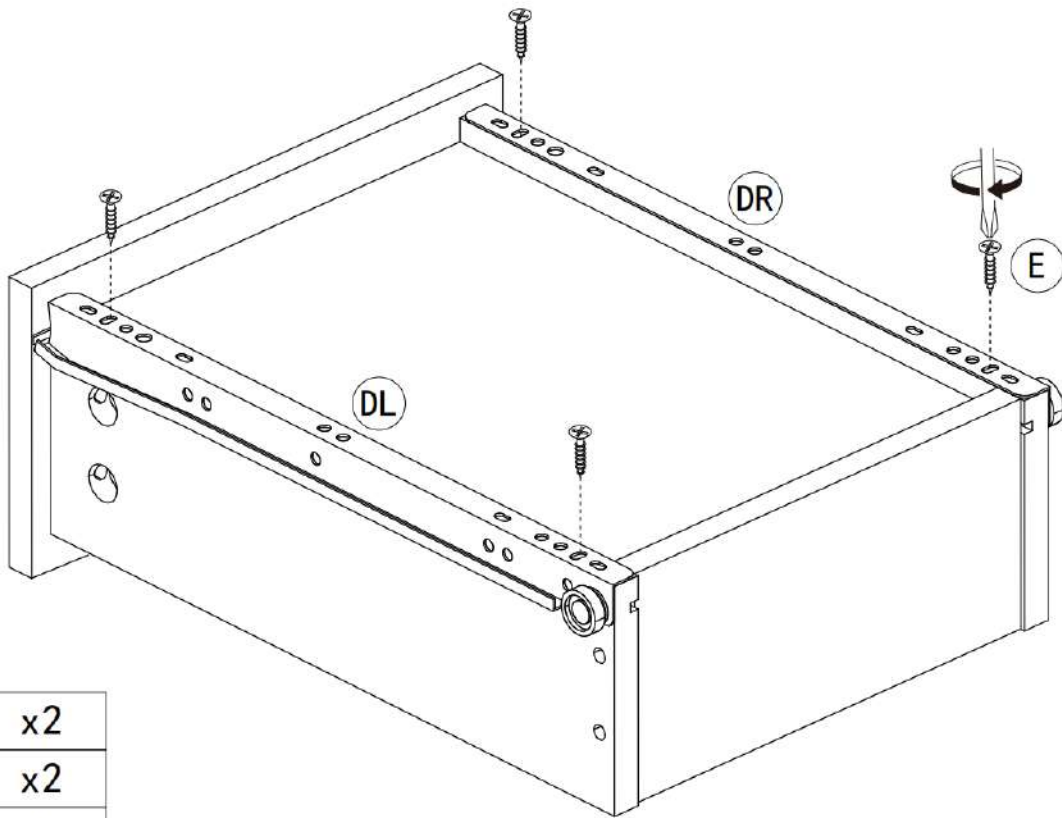





X2



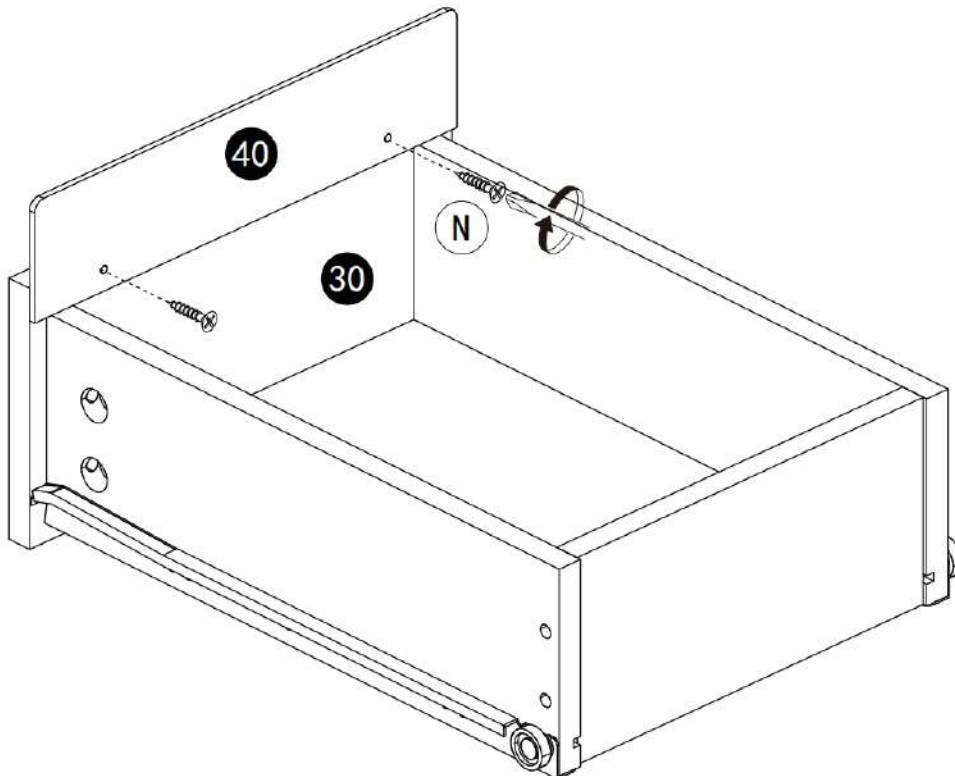
	H		x2	
M		x4	A	x8
B		x8	F	x8

2



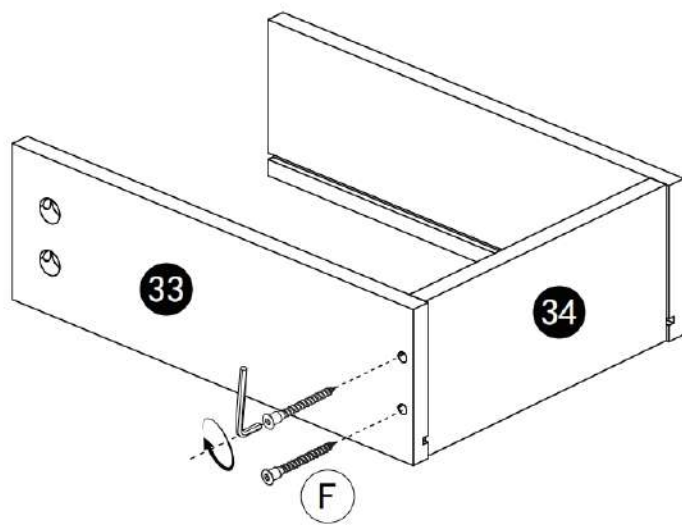
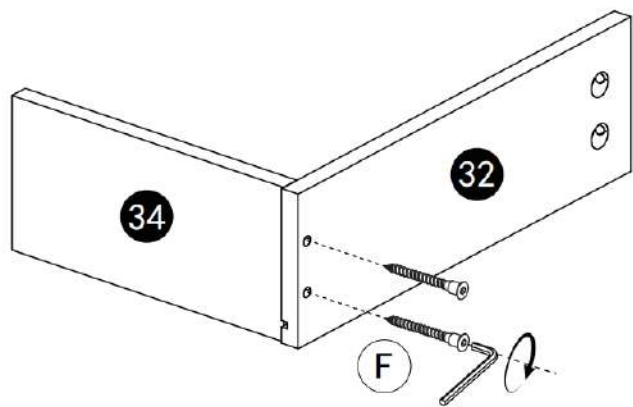
DL		x2
DR		x2
E		x8

X2

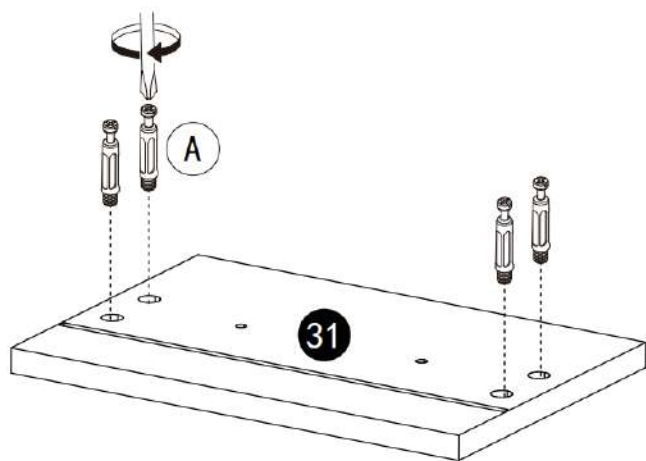
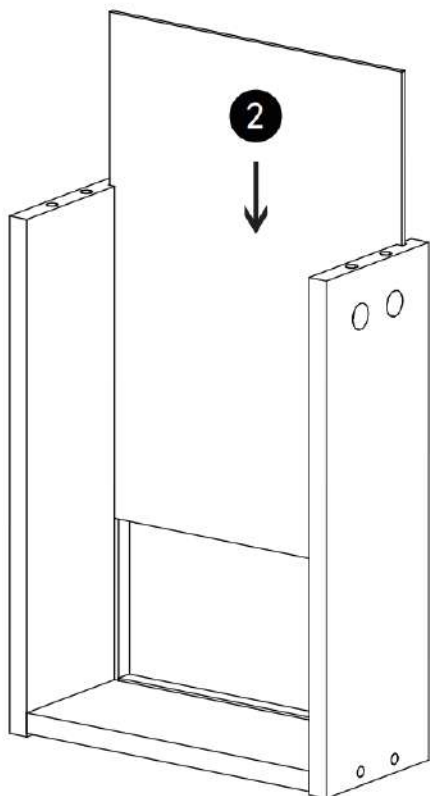


N		x4
---	---	----

3

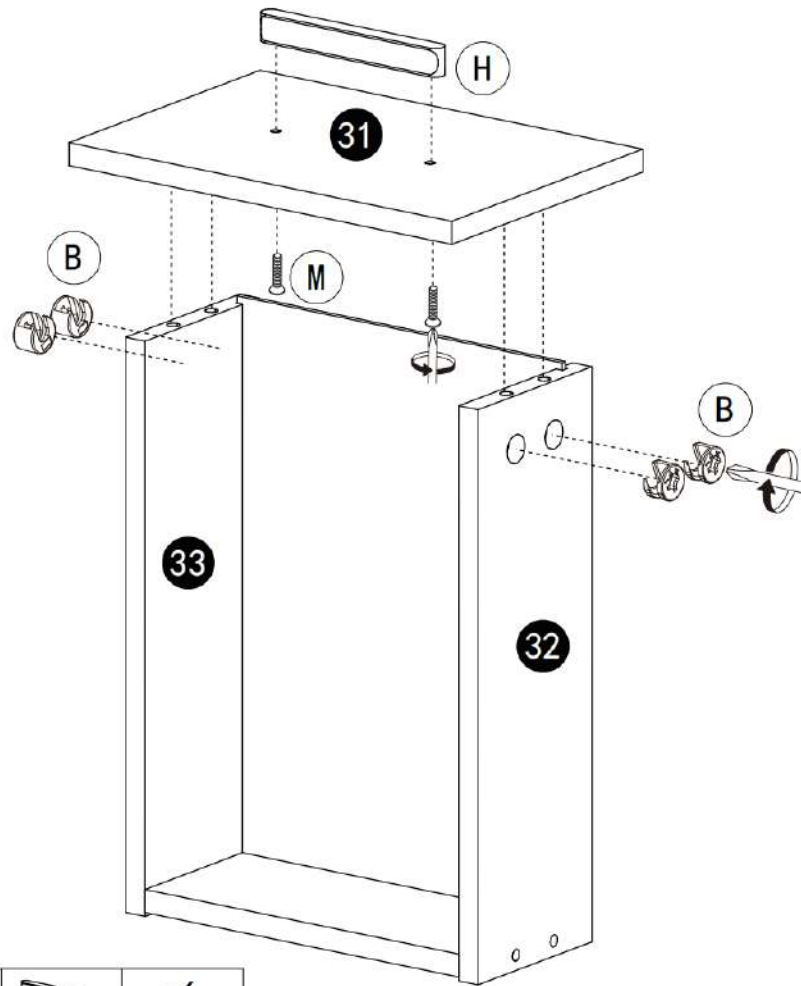



X6



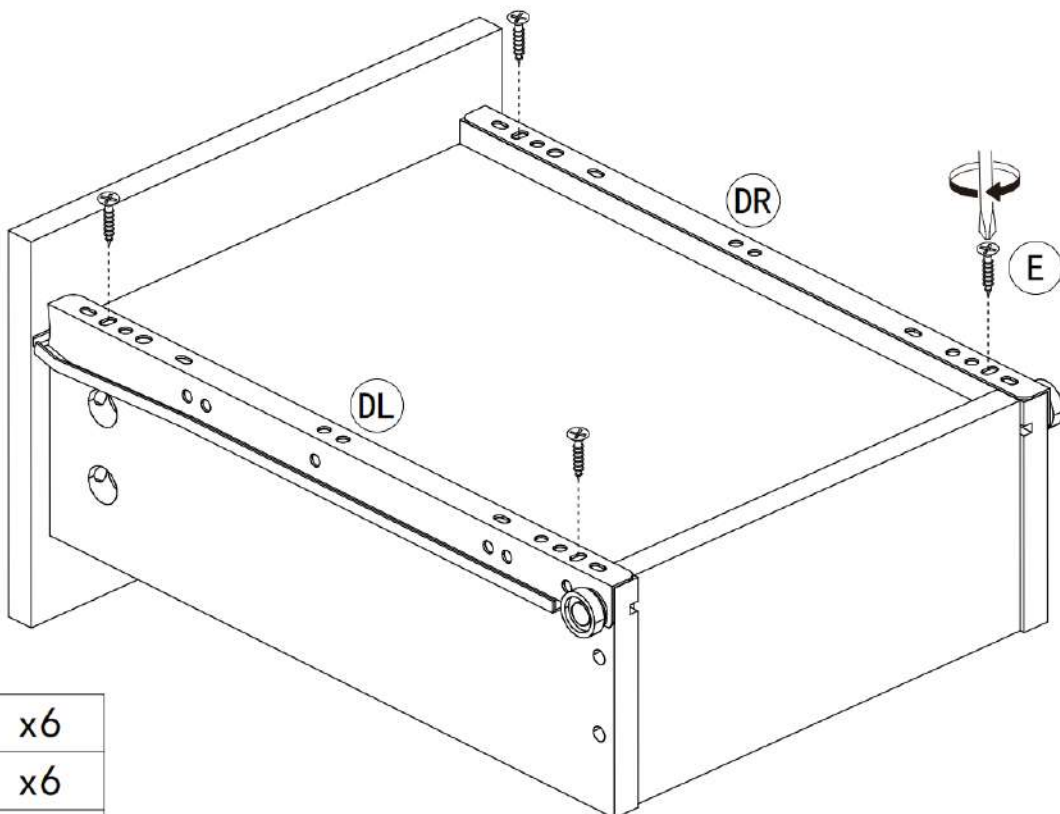
A		x24
F		x24


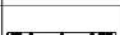
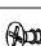
4



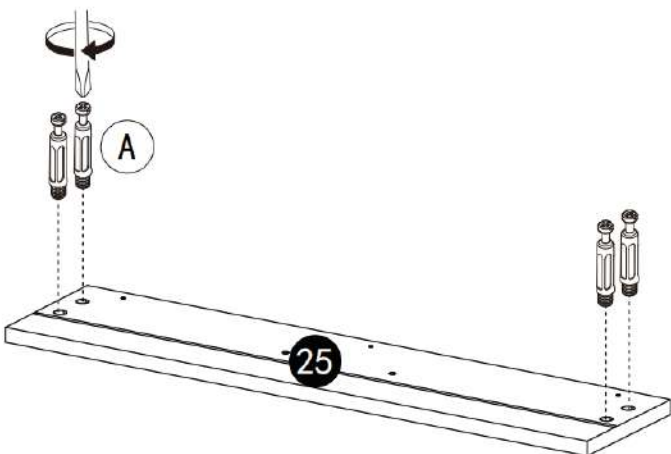
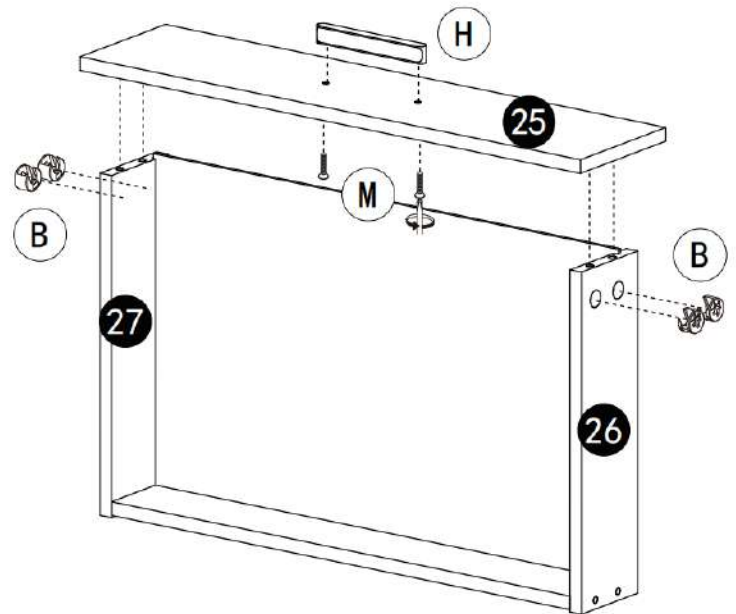
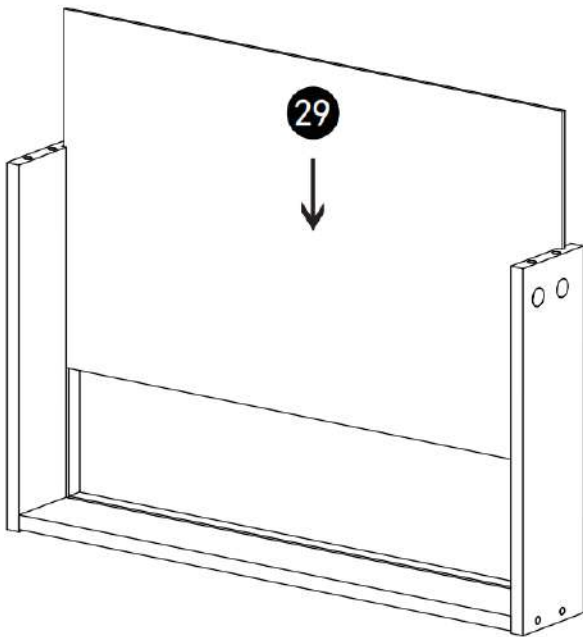
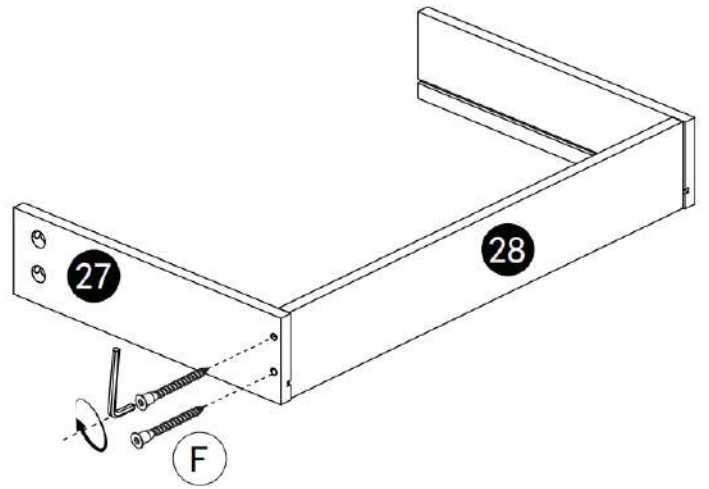
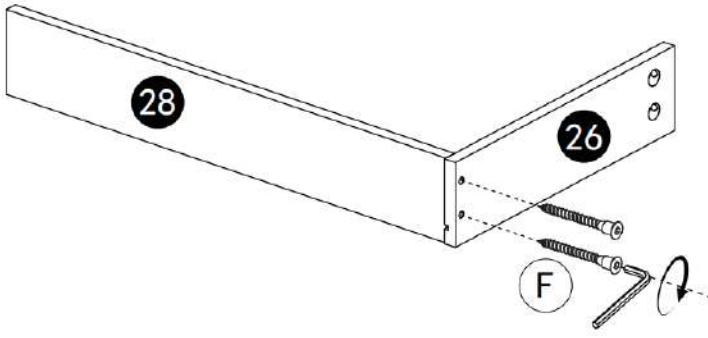
M		x12			
B		x24	H		x6






X6



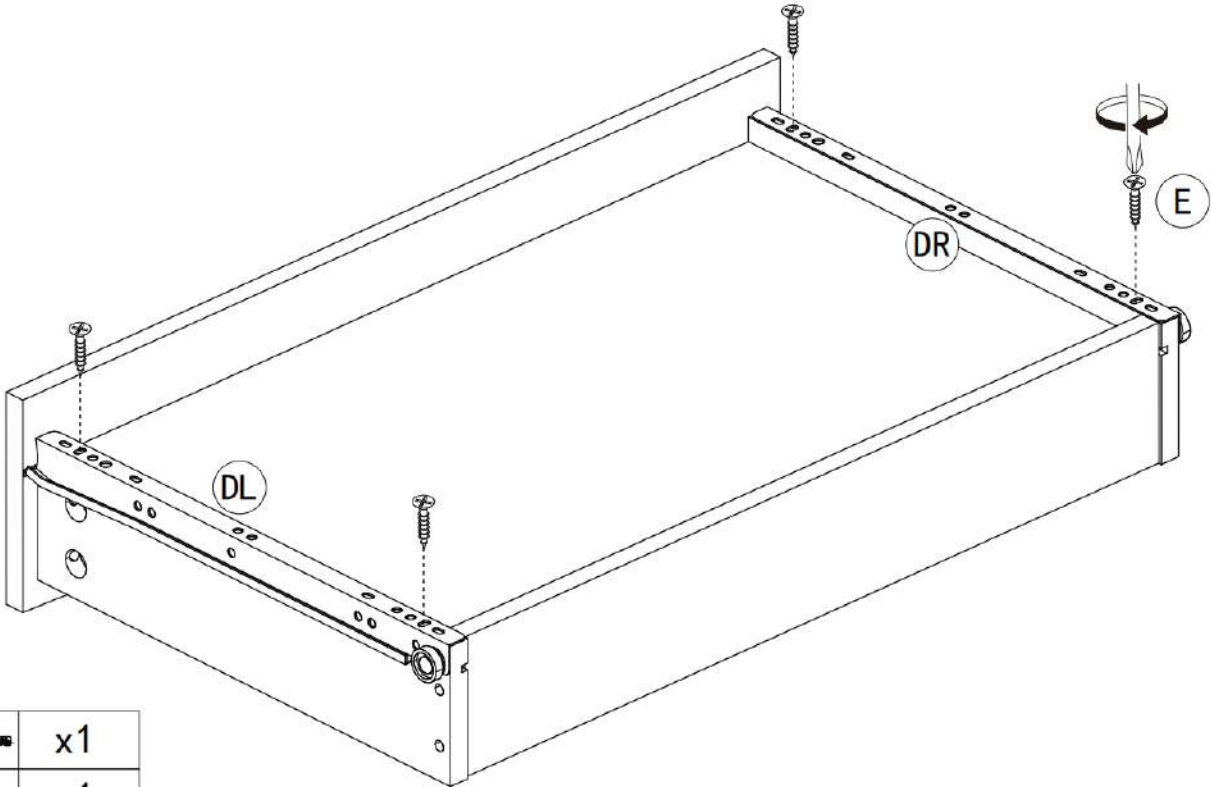
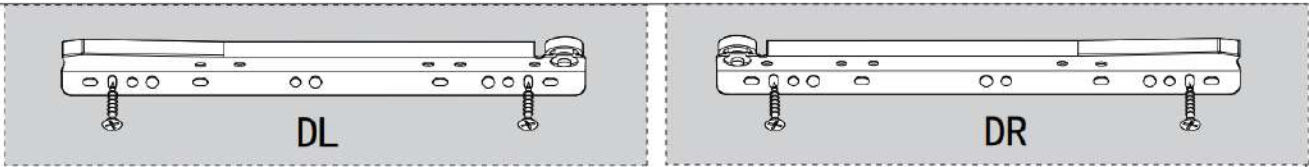
DL		x6
DR		x6
E		x24




5

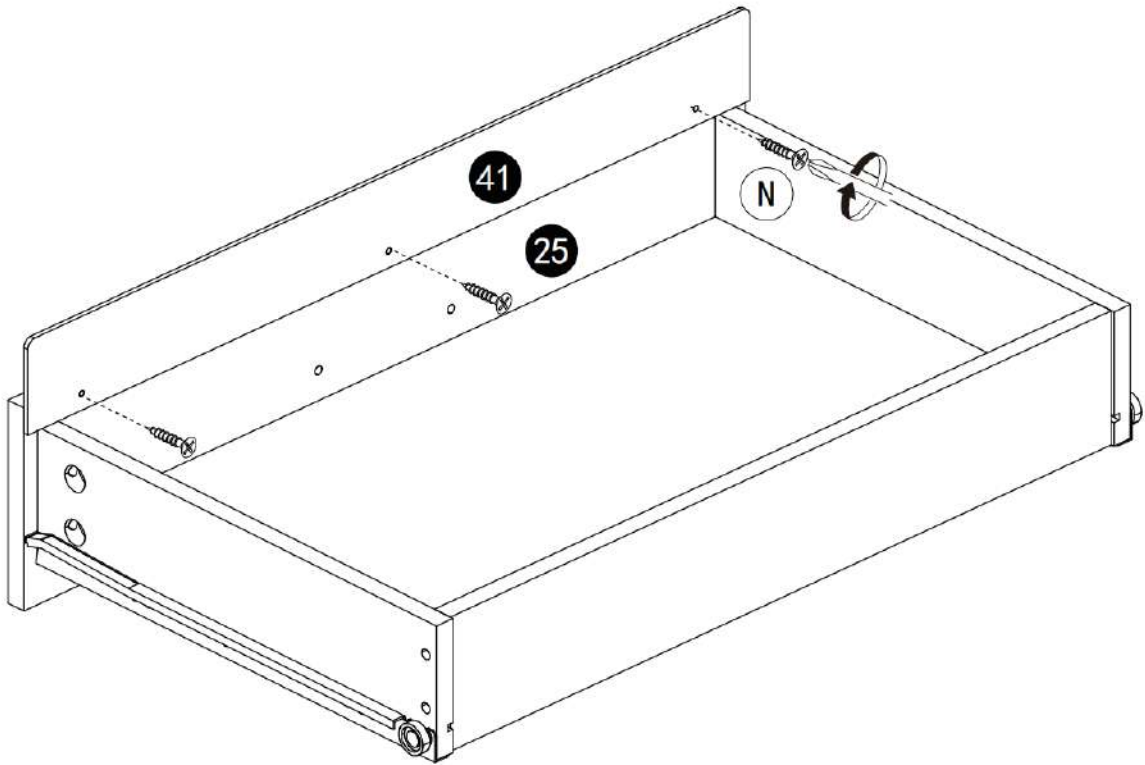



			H		x1
M		x2	A		x4
B		x4	F		x4

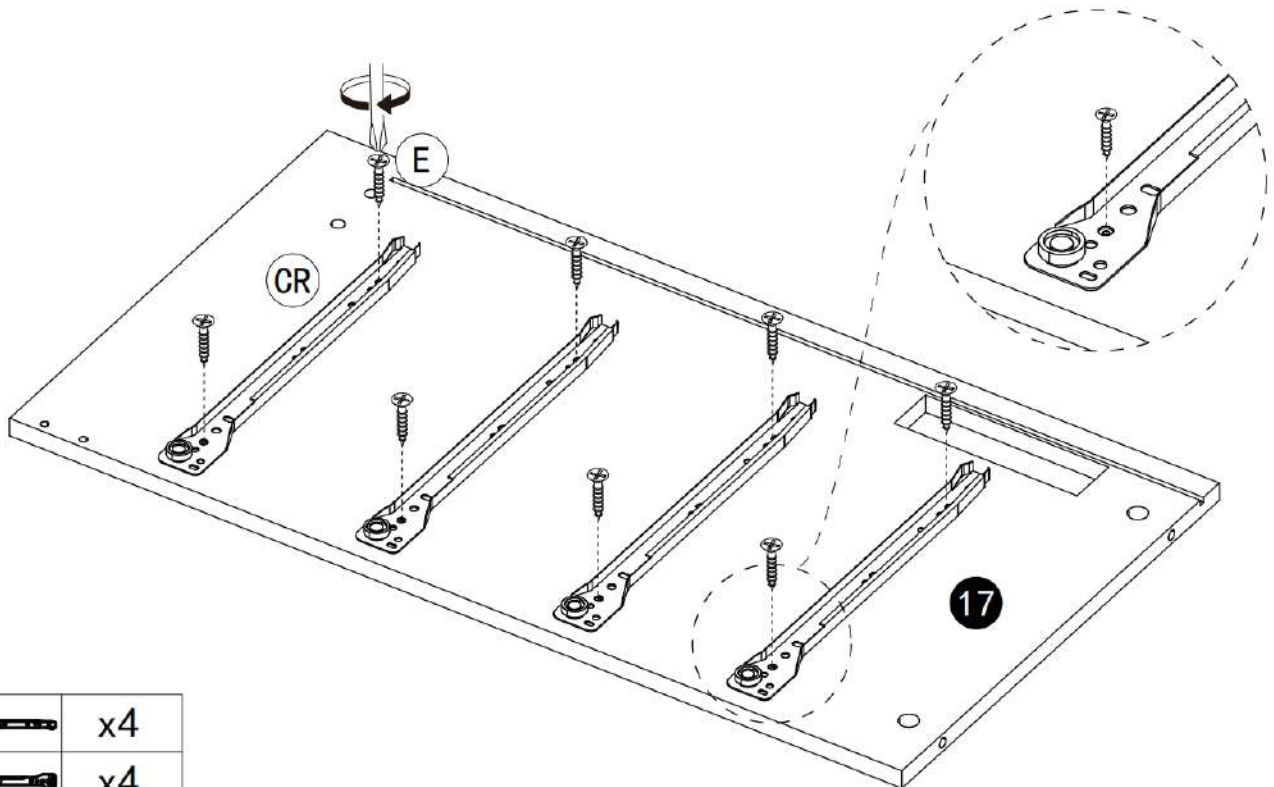
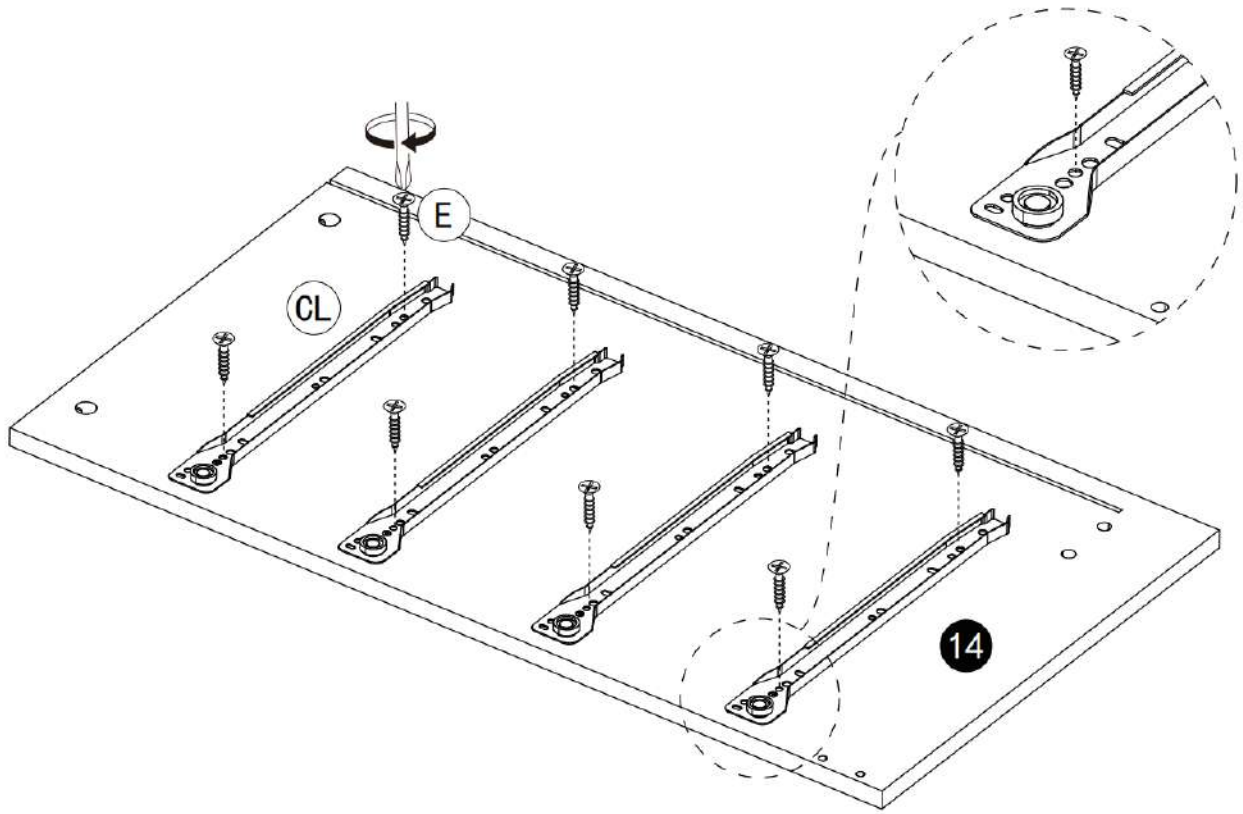
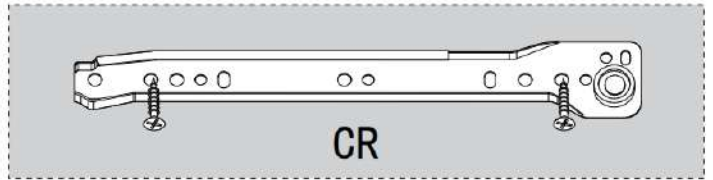
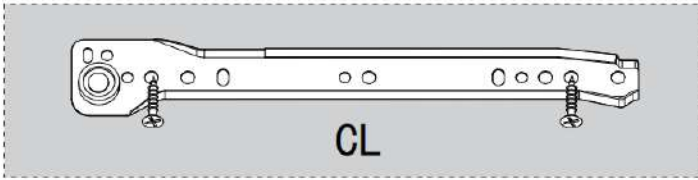
6






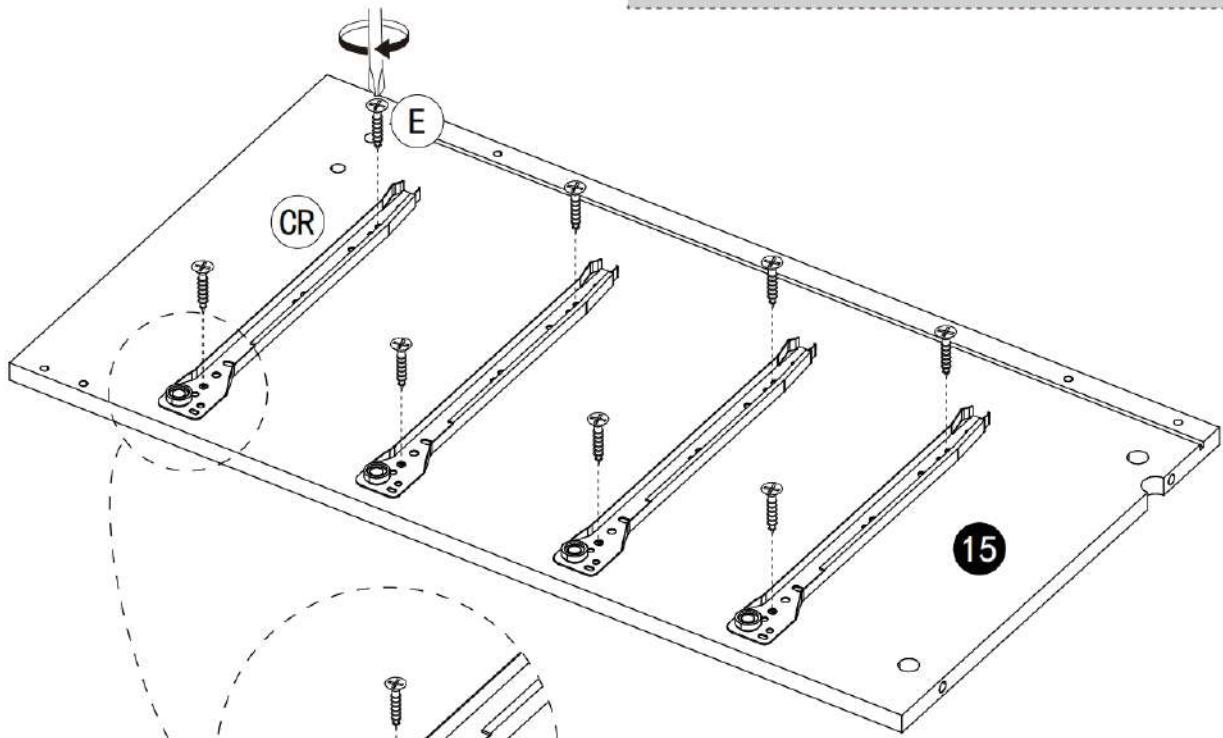
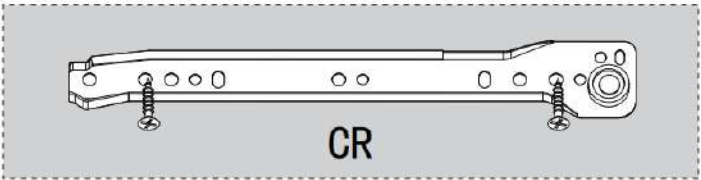
DL		x1
DR		x1
E		x4



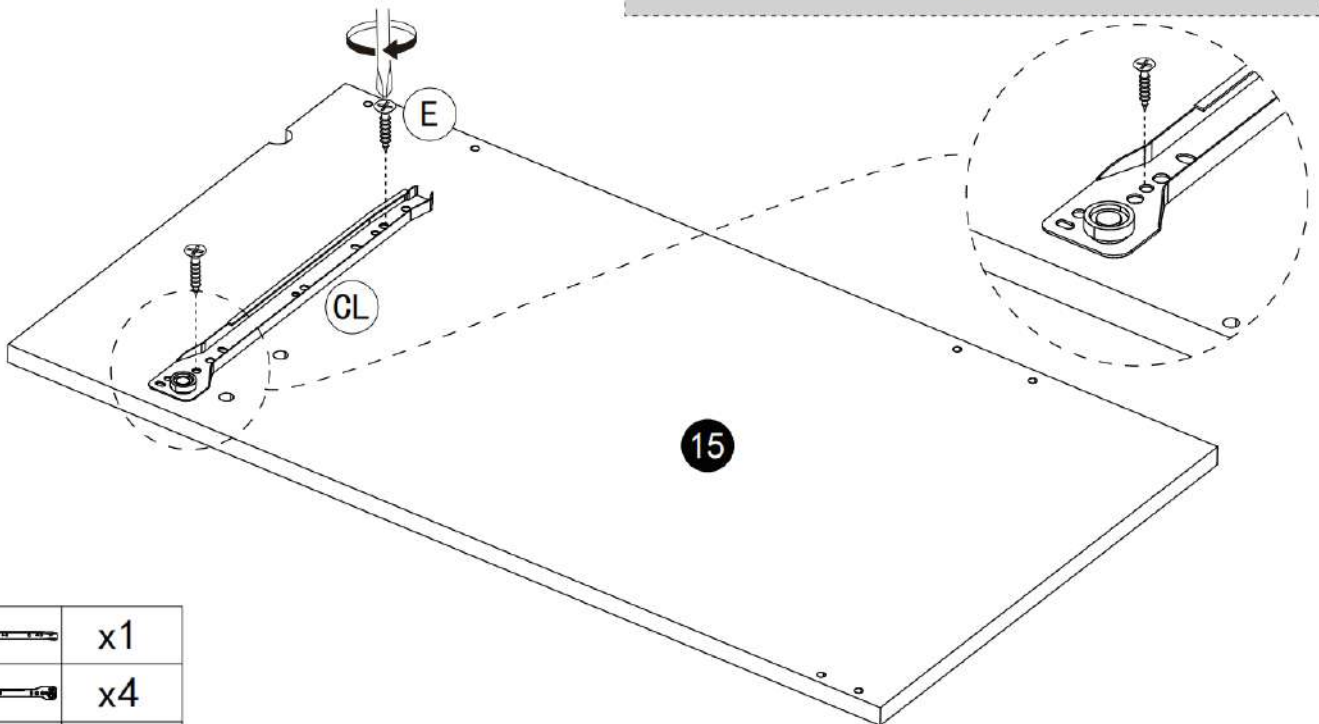
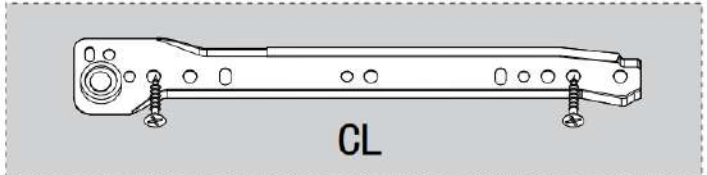
N		x3
---	---	----



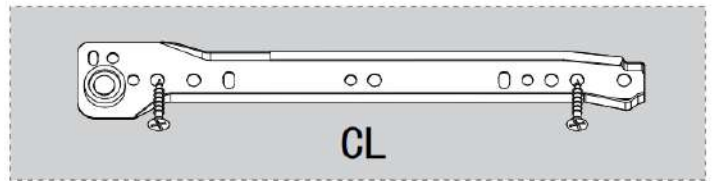
CL		x4
CR		x4
E		x16



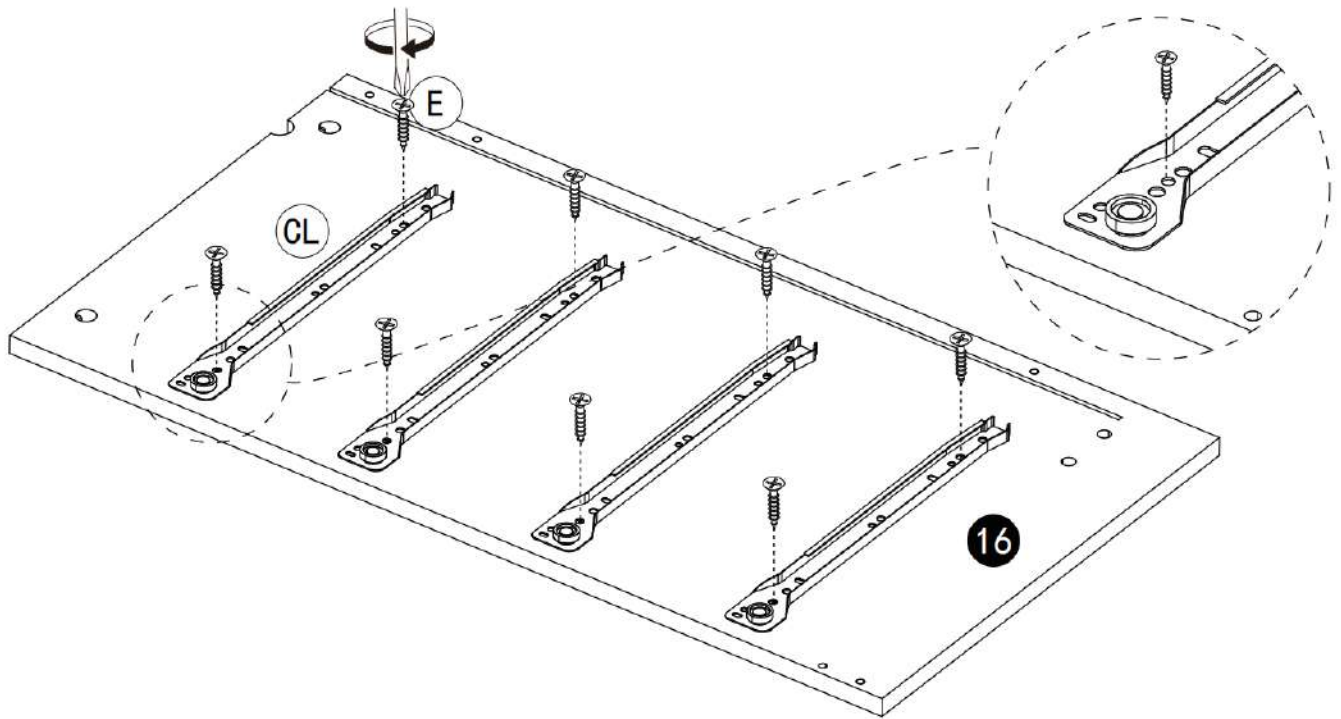
flip over



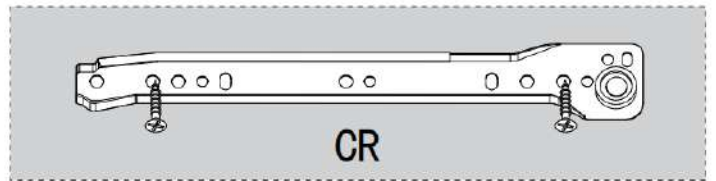
CL		x1
CR		x4
E		x10



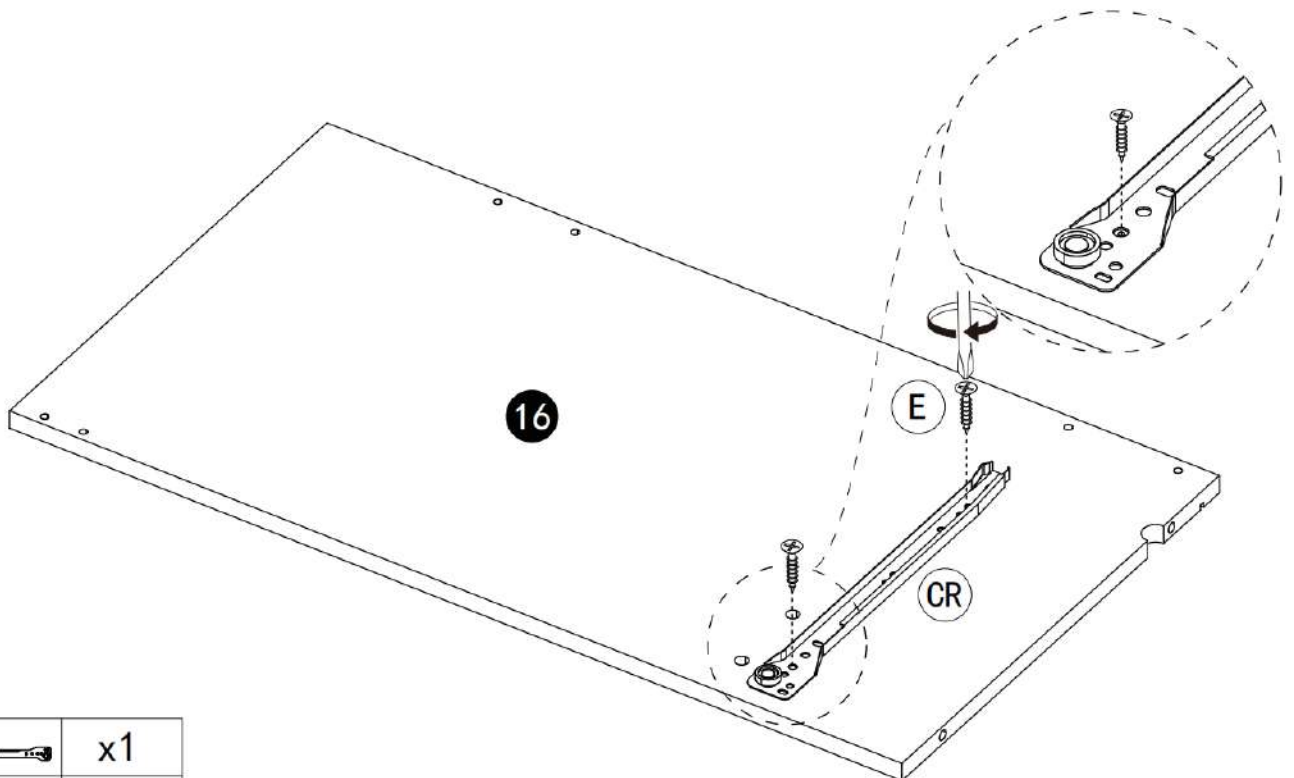
CL






flip over



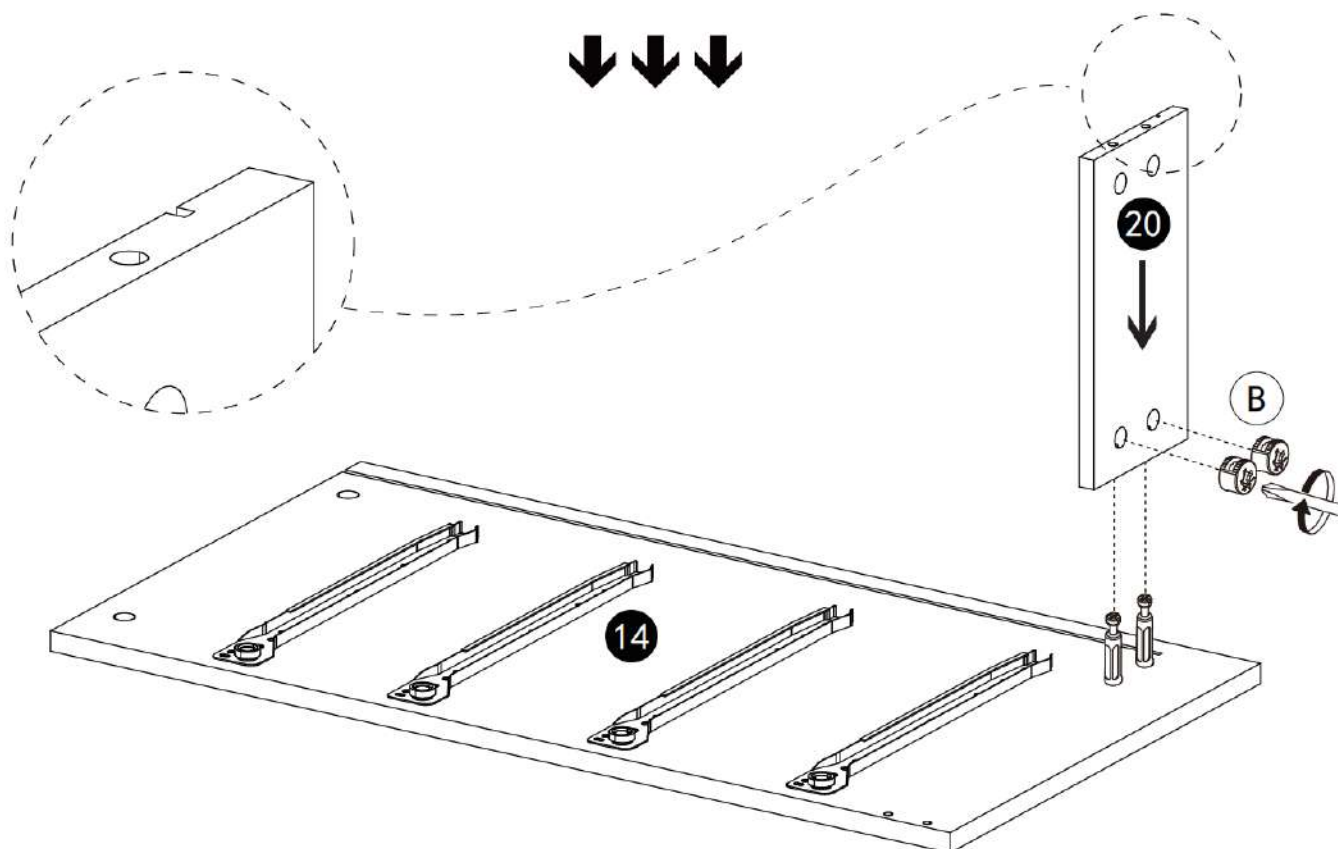
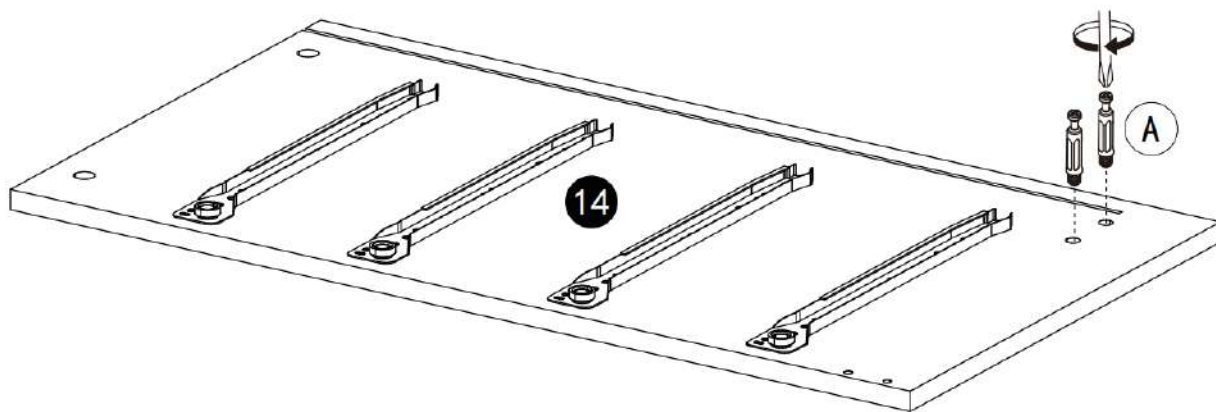
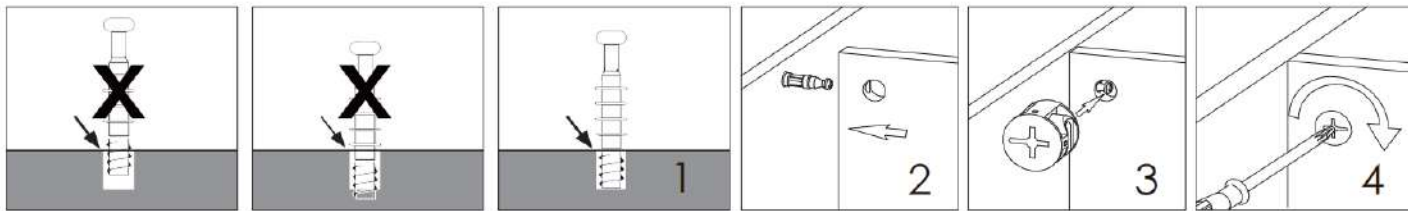
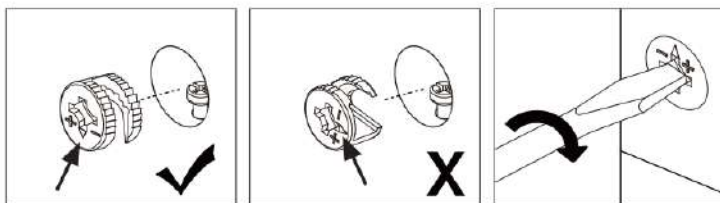
CR




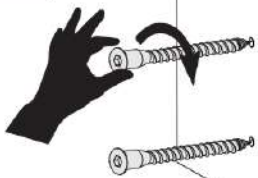
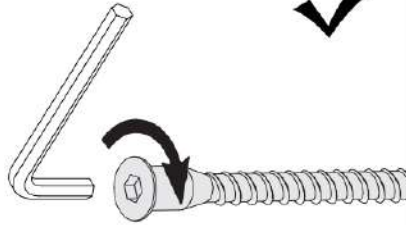
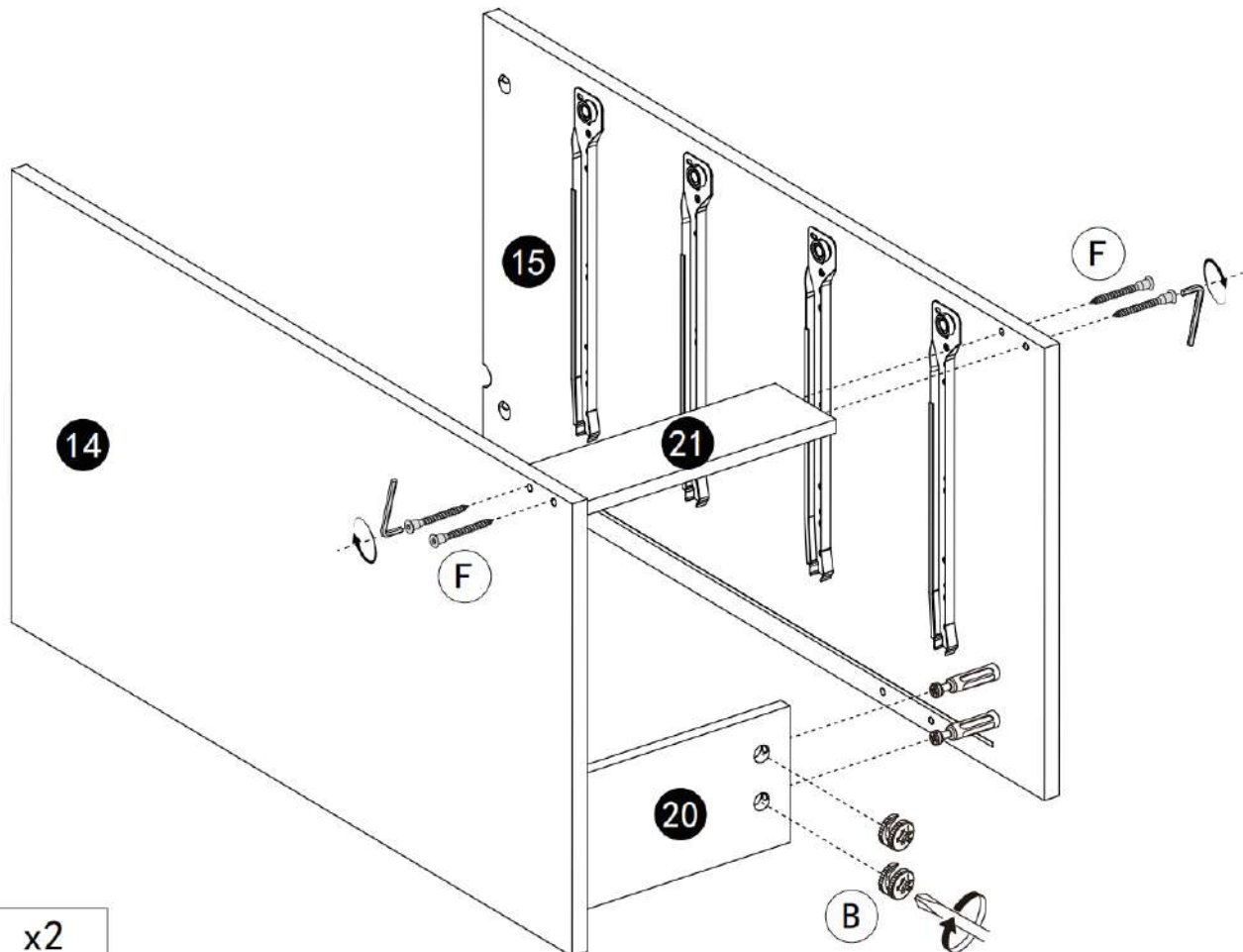
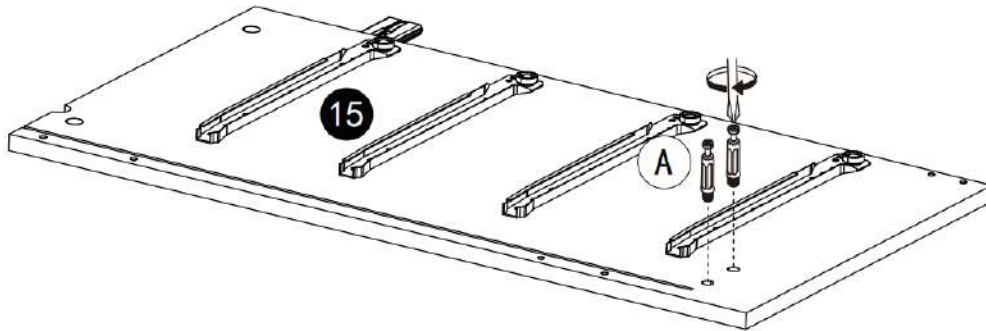
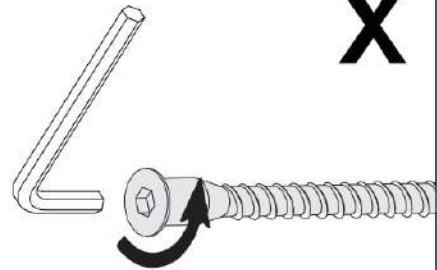
CR		x1
CL		x4
E		x10

10

Installation method of three in one rod and buckle

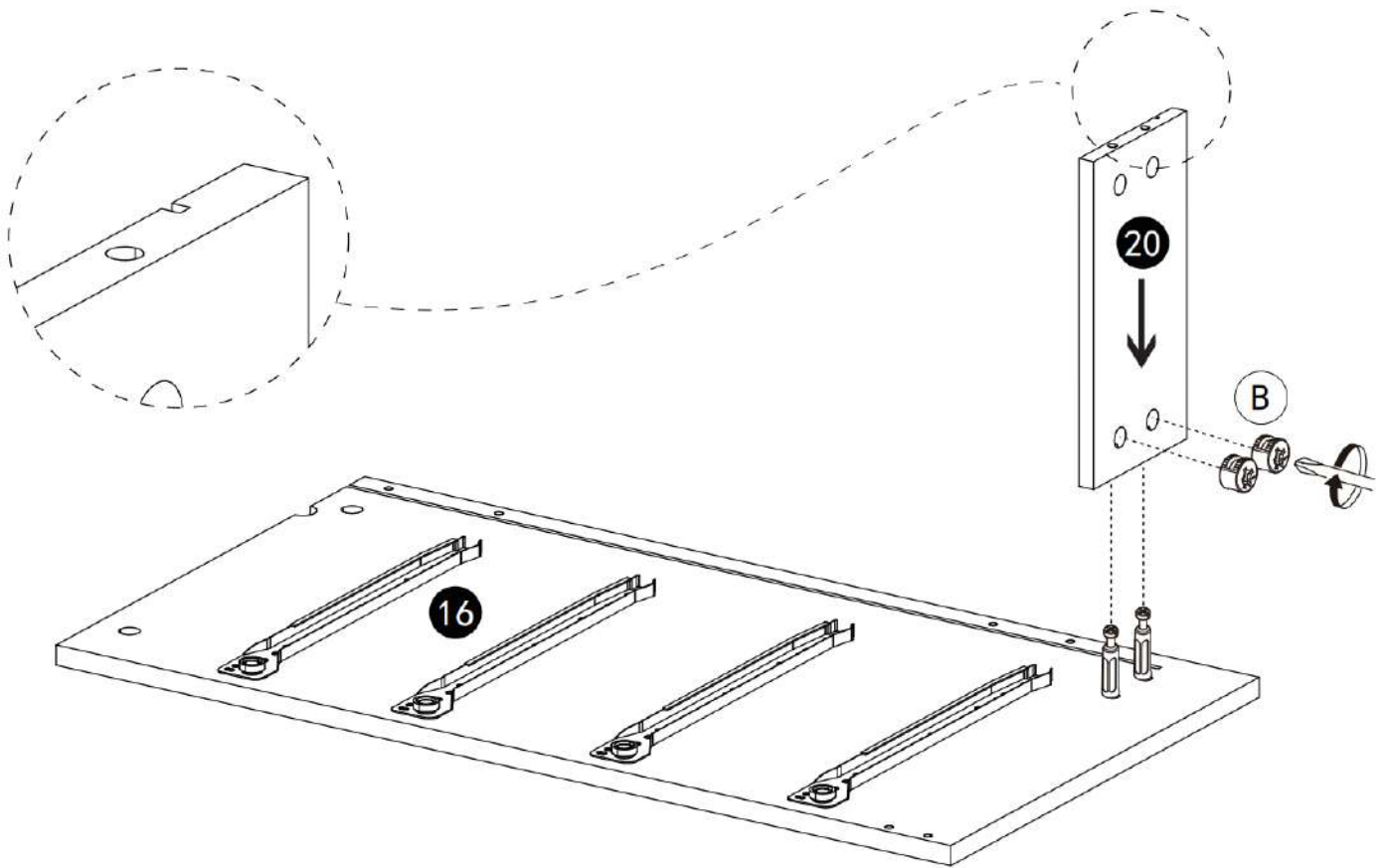
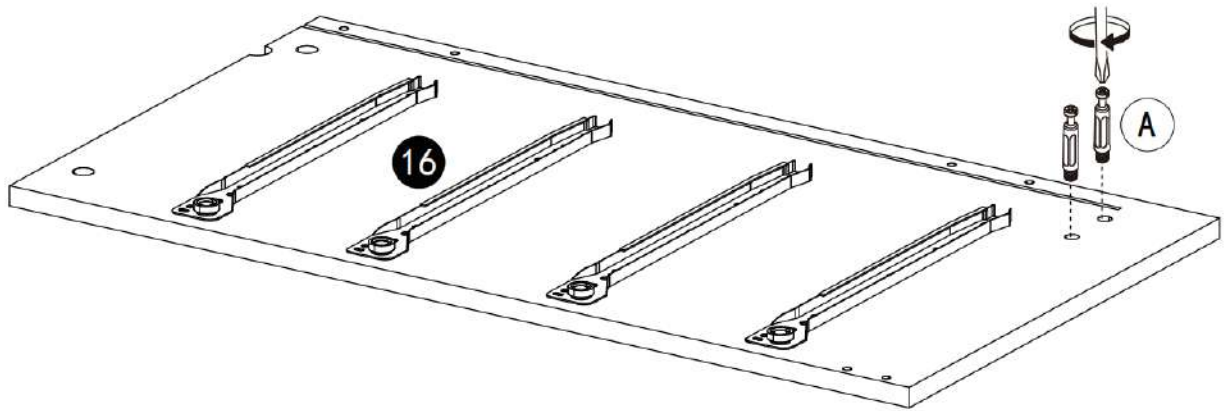




A		x2
B		x2

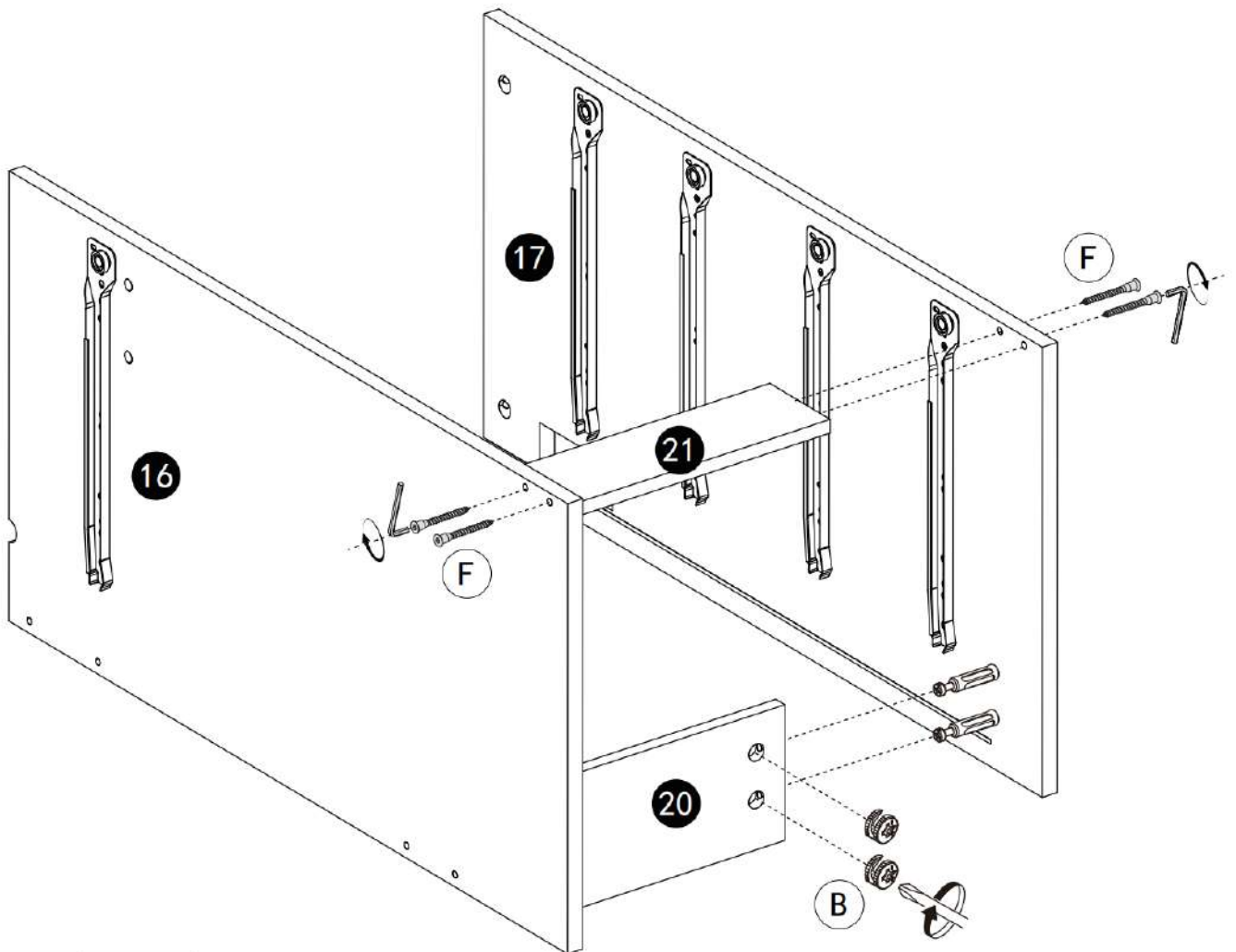
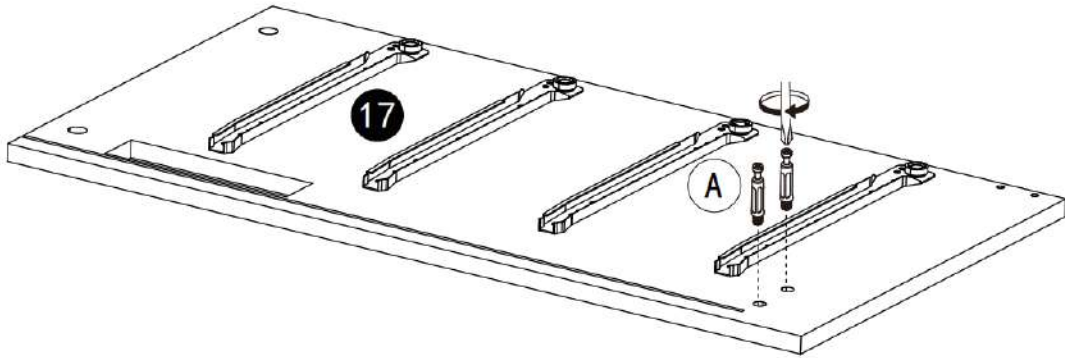
11**1****2****X**




A		x2
---	--	----

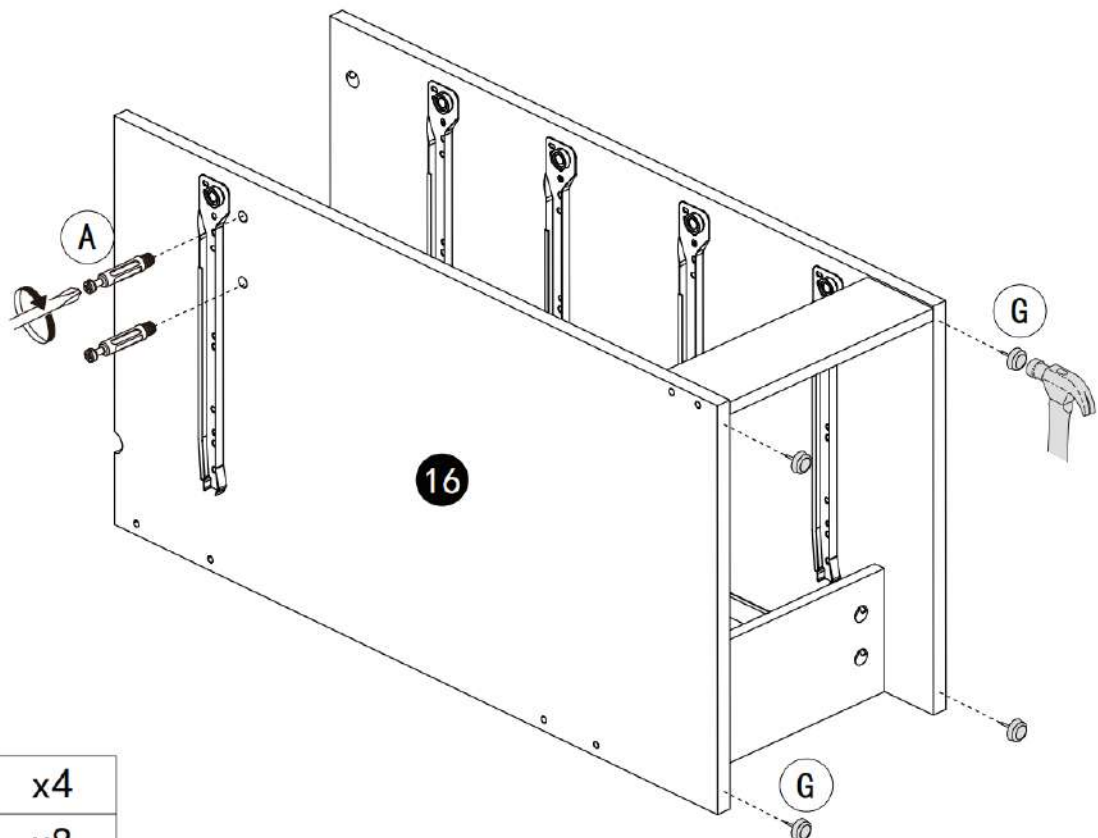
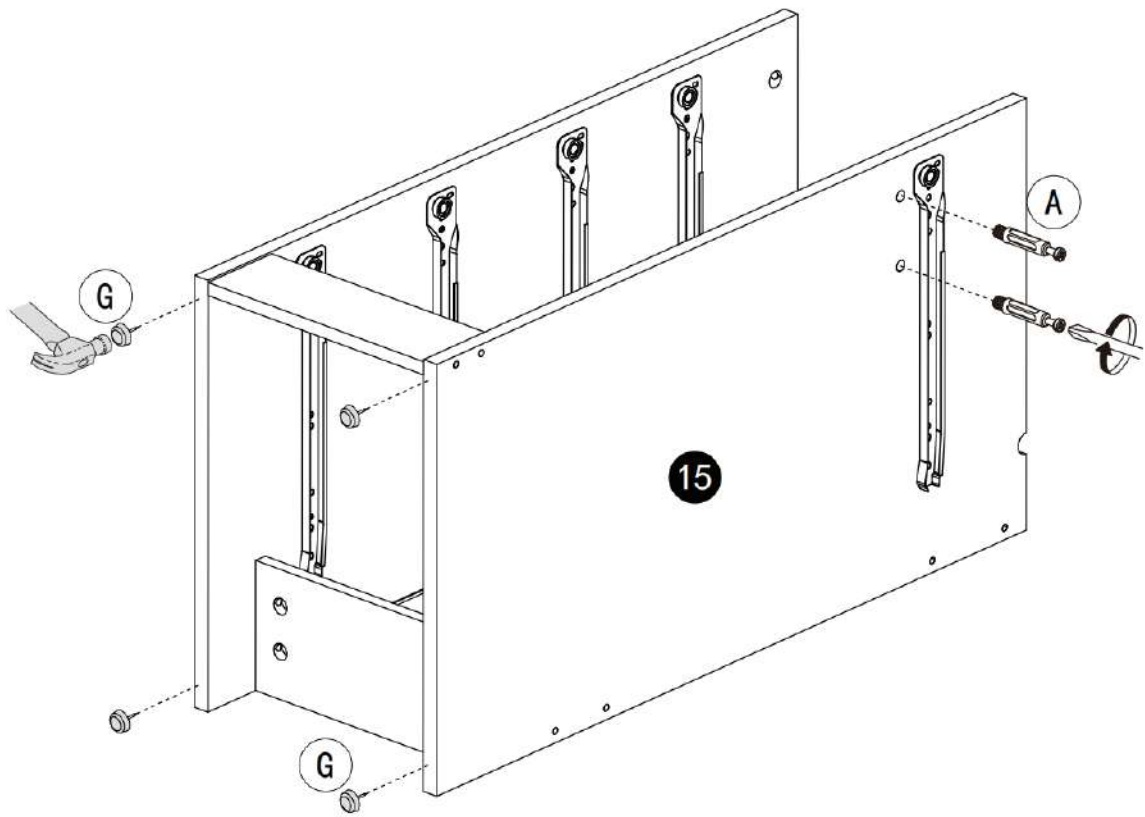
B		x2	F		x4
---	--	----	---	--	----


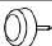


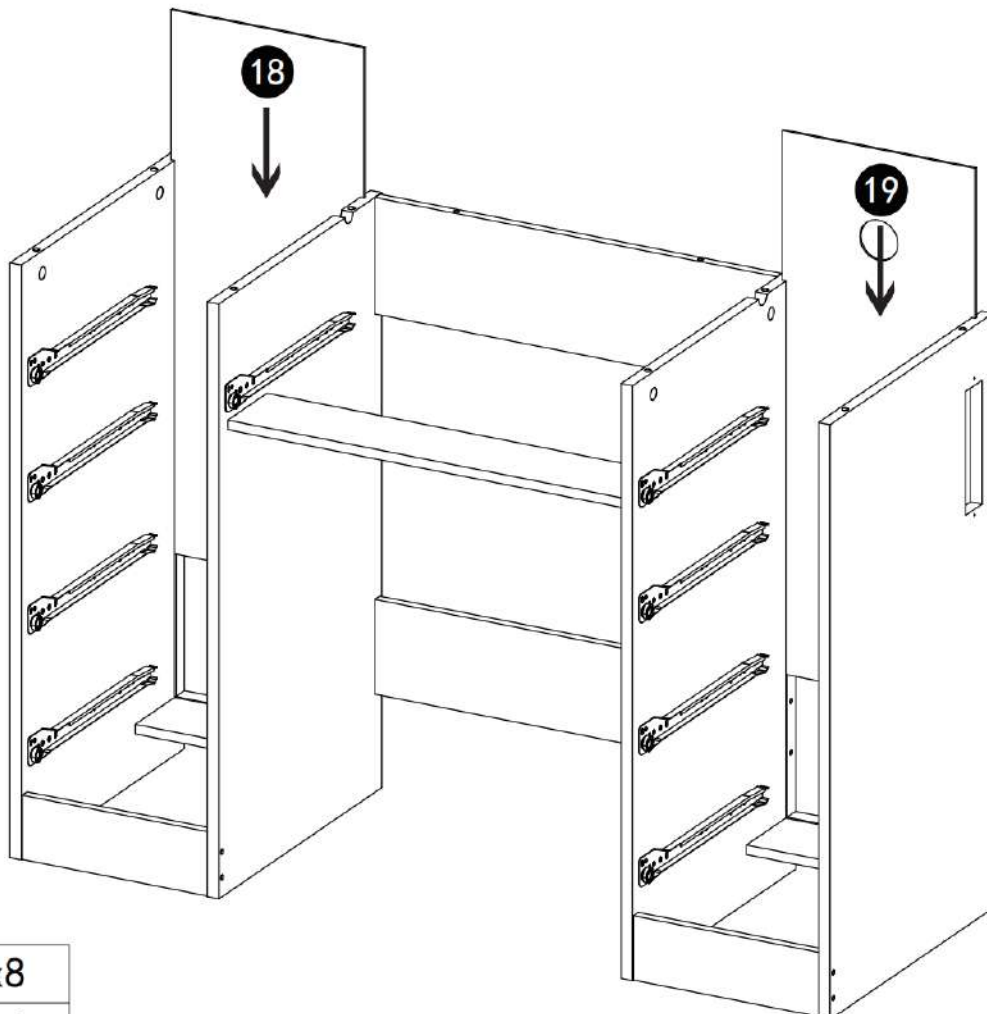
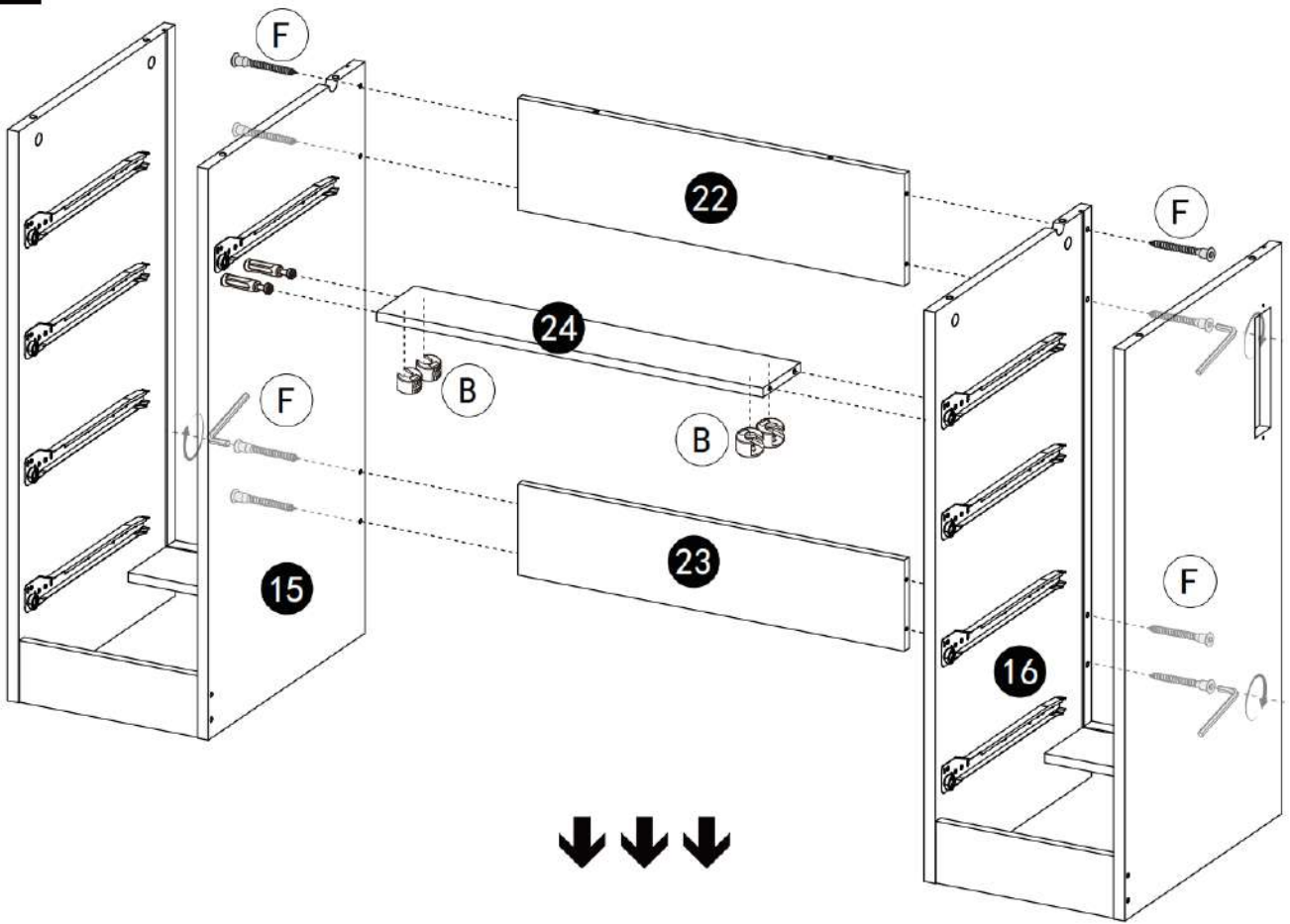
A		x2
B		x2





A		x2			
B		x2	F		x4



A		x4
G		x8

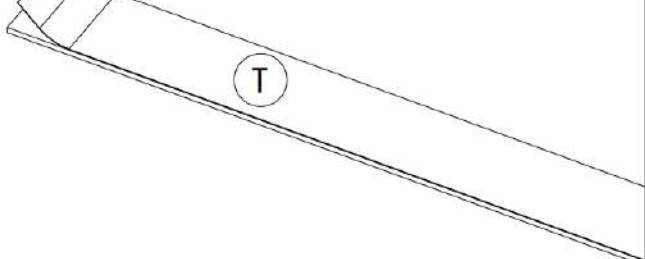


F		x8
B		x4

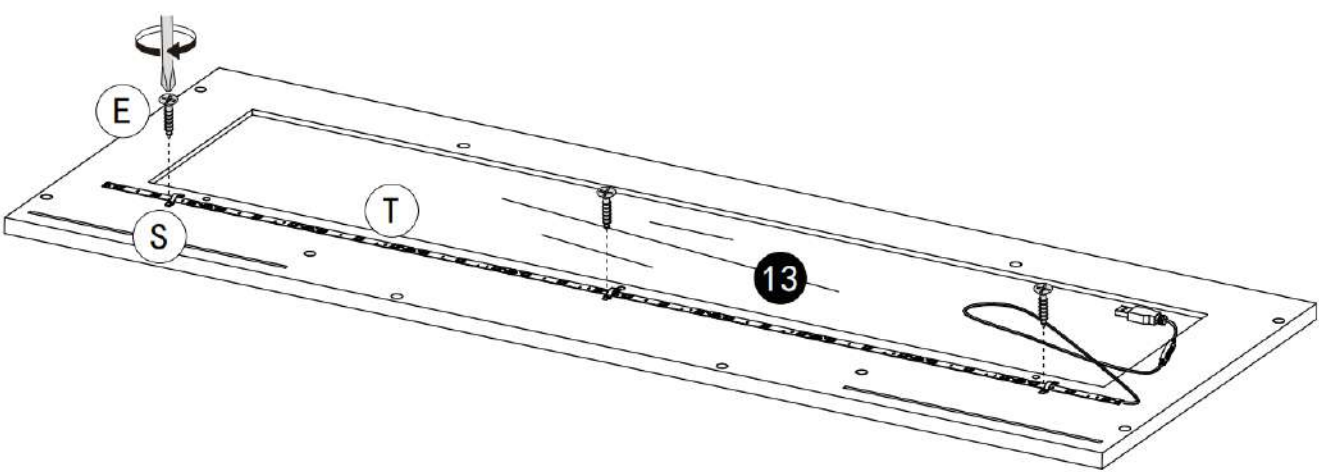
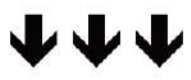
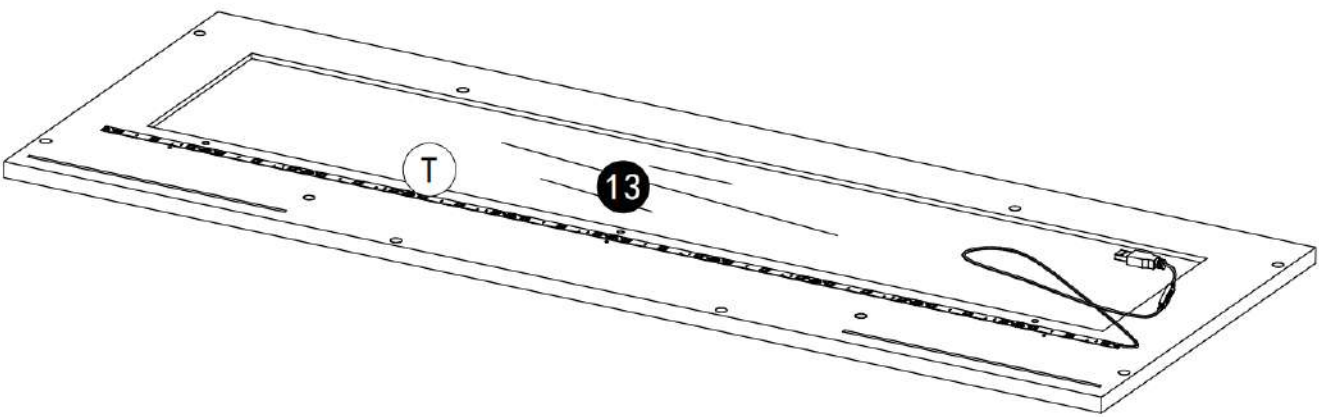
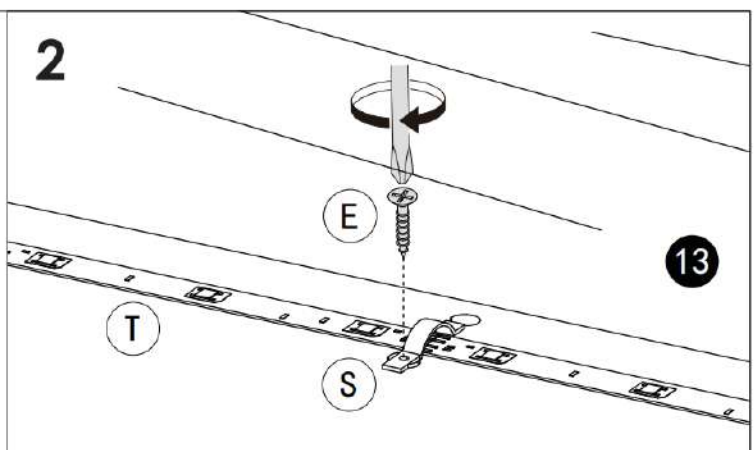
16



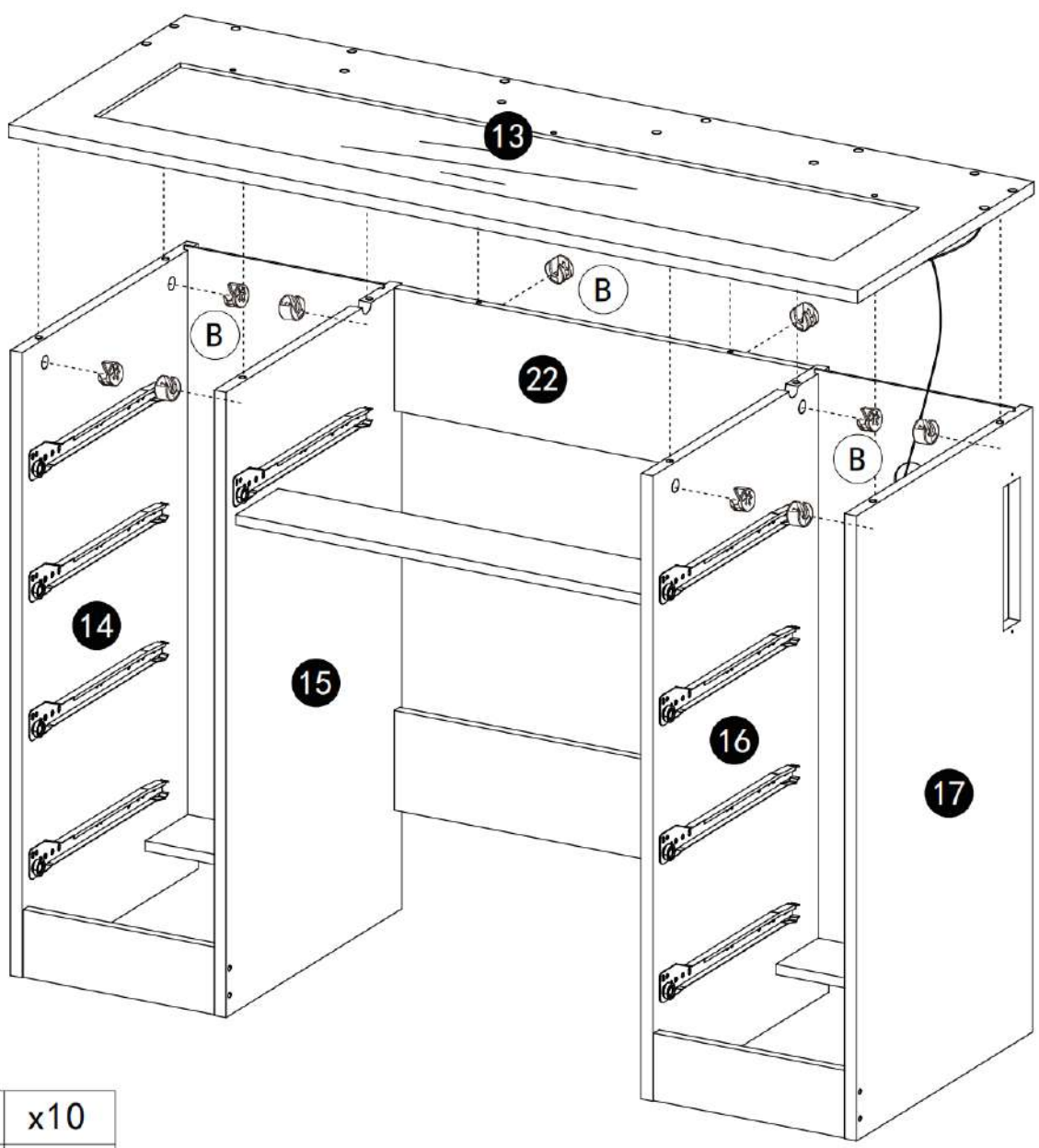
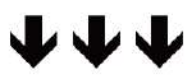
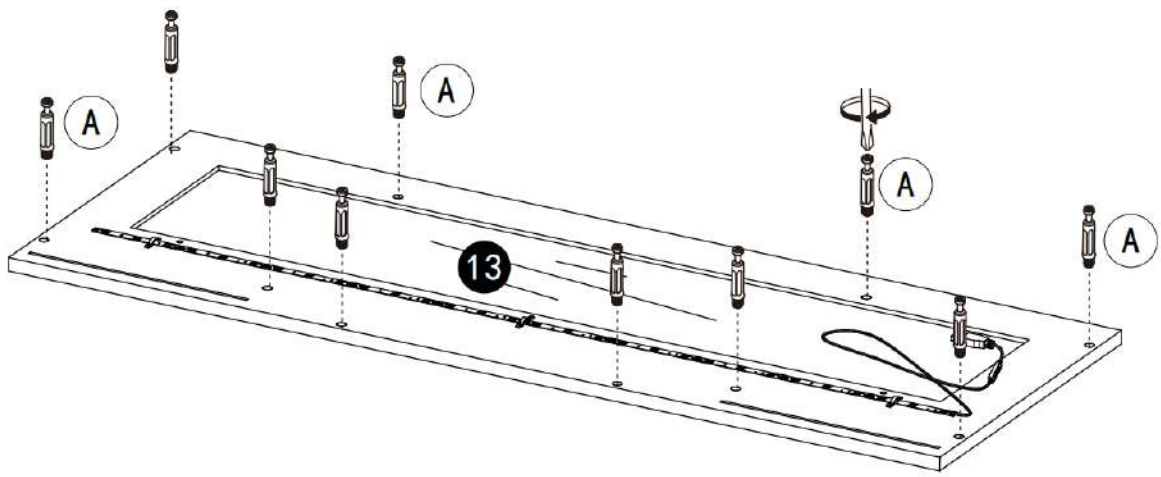
1





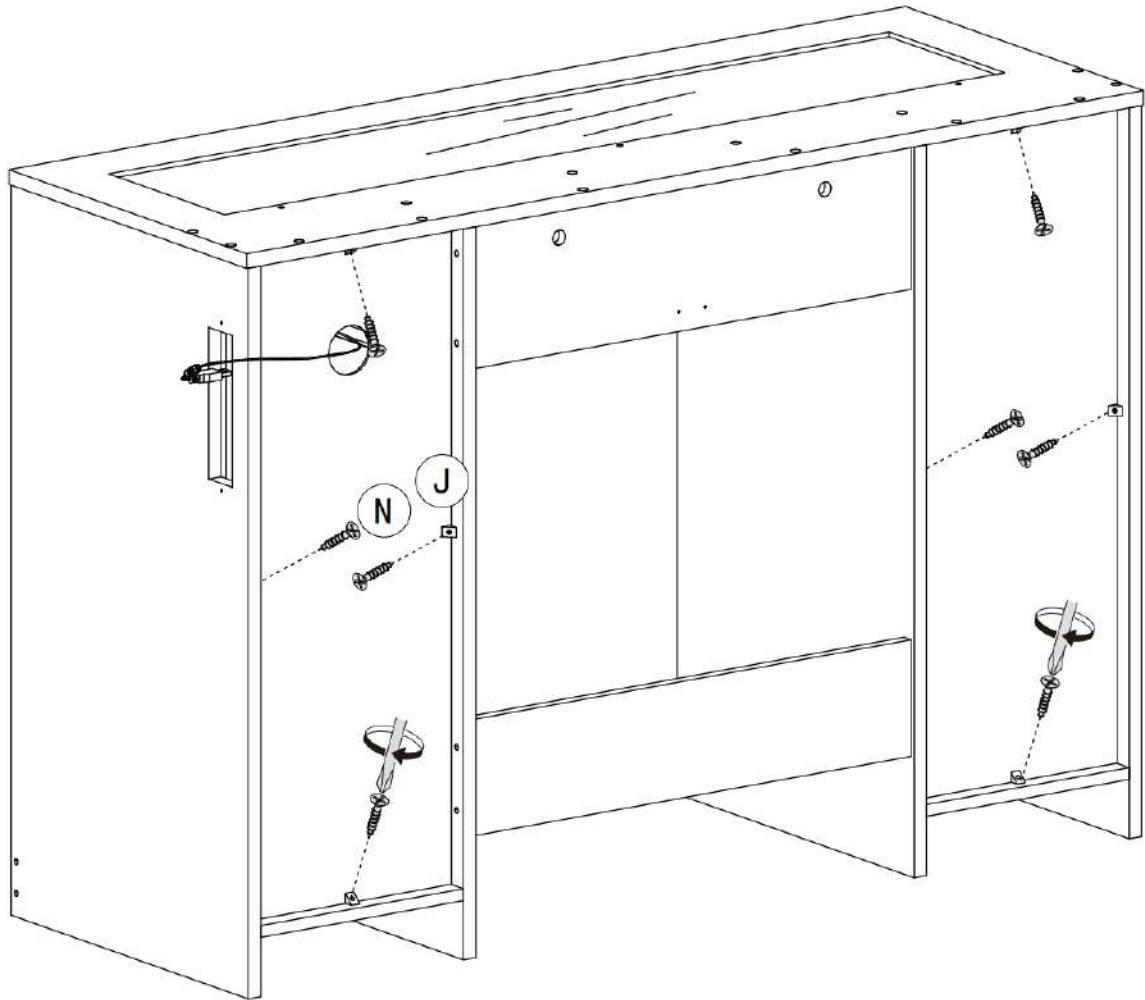
2


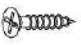


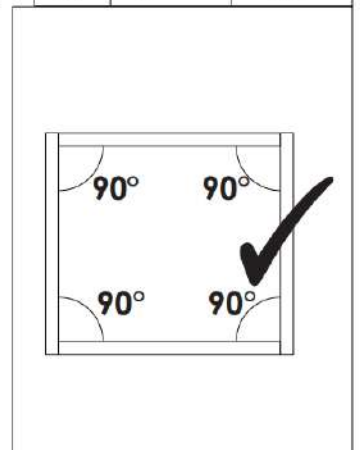
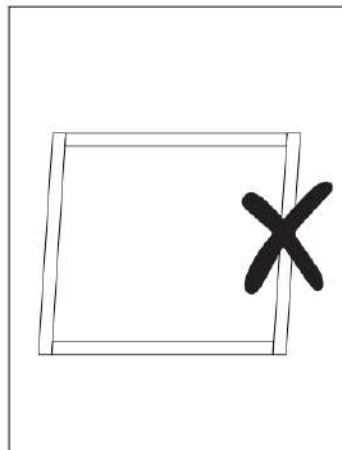
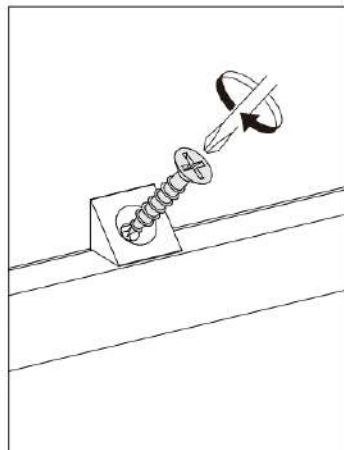
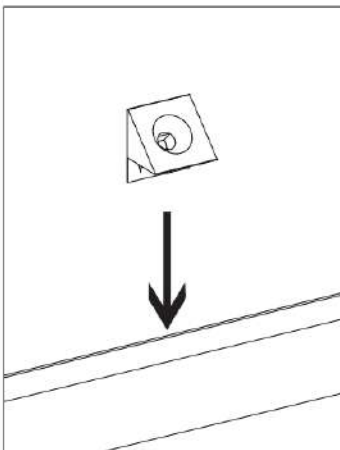
E		x3		
S		x3	T	x1

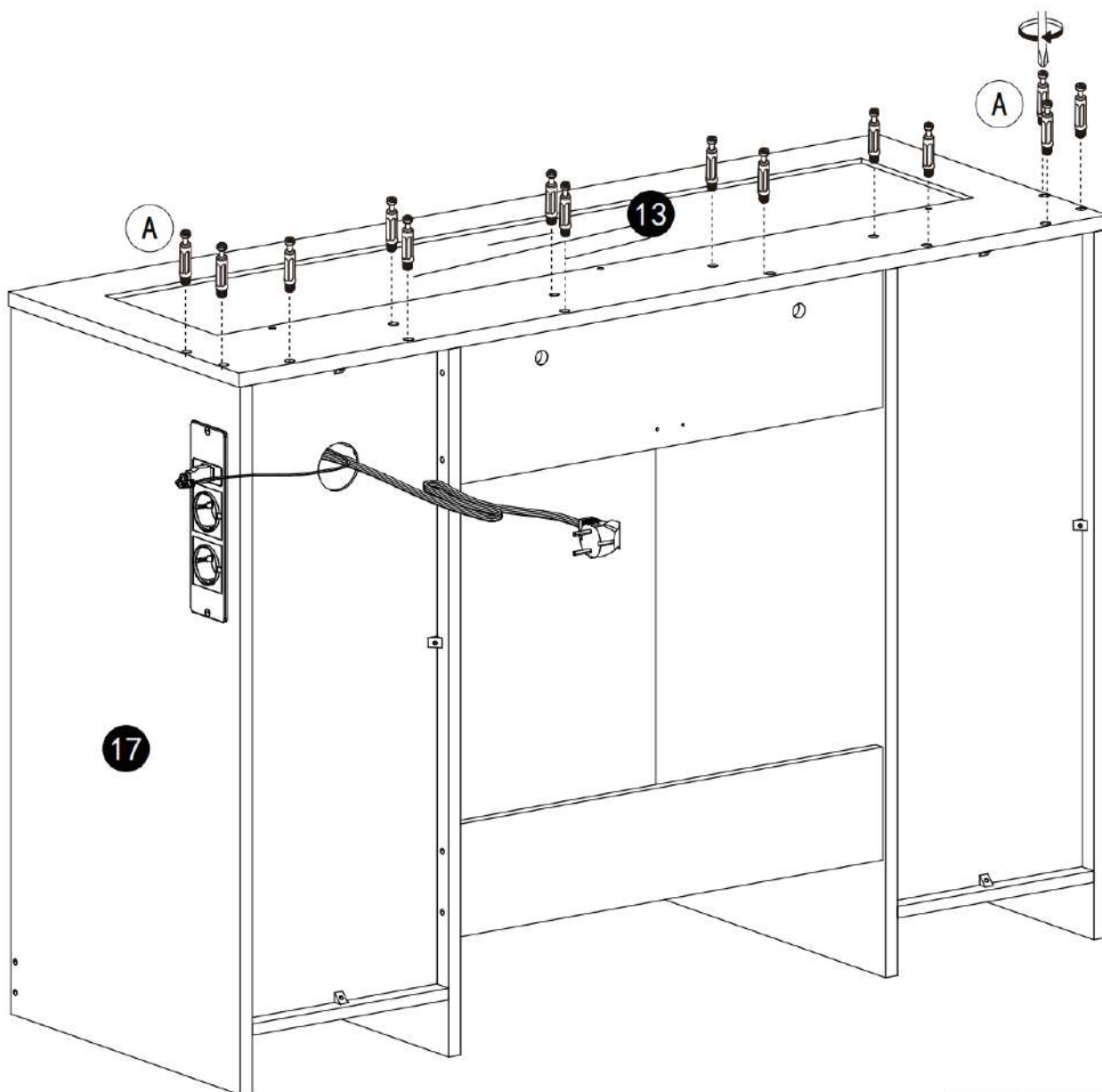
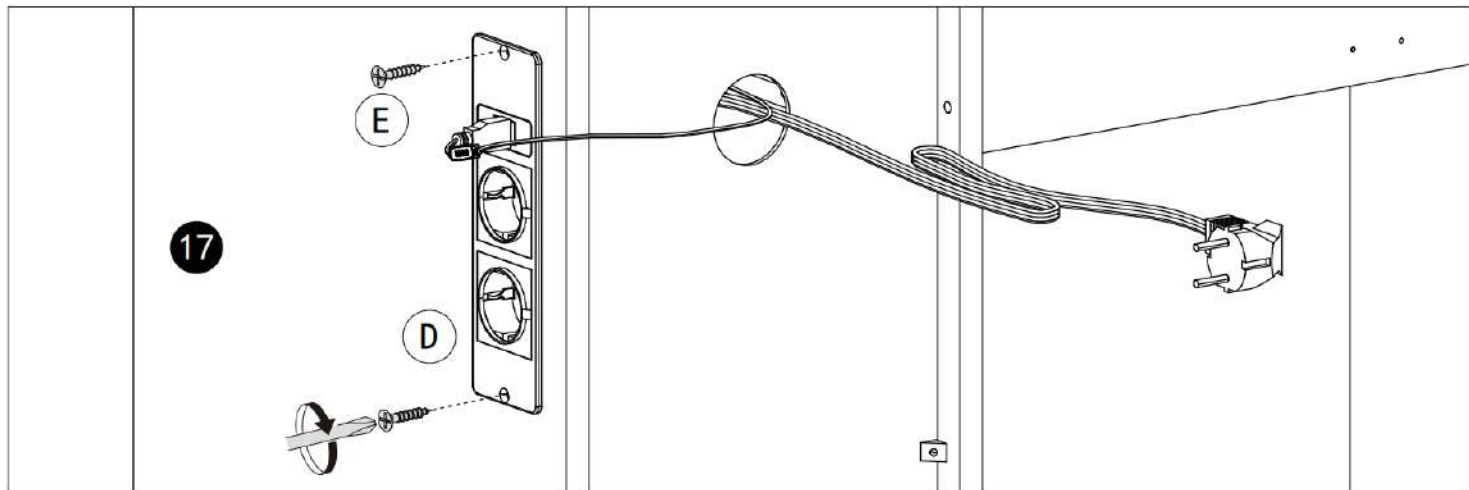


A		x10
B		x10

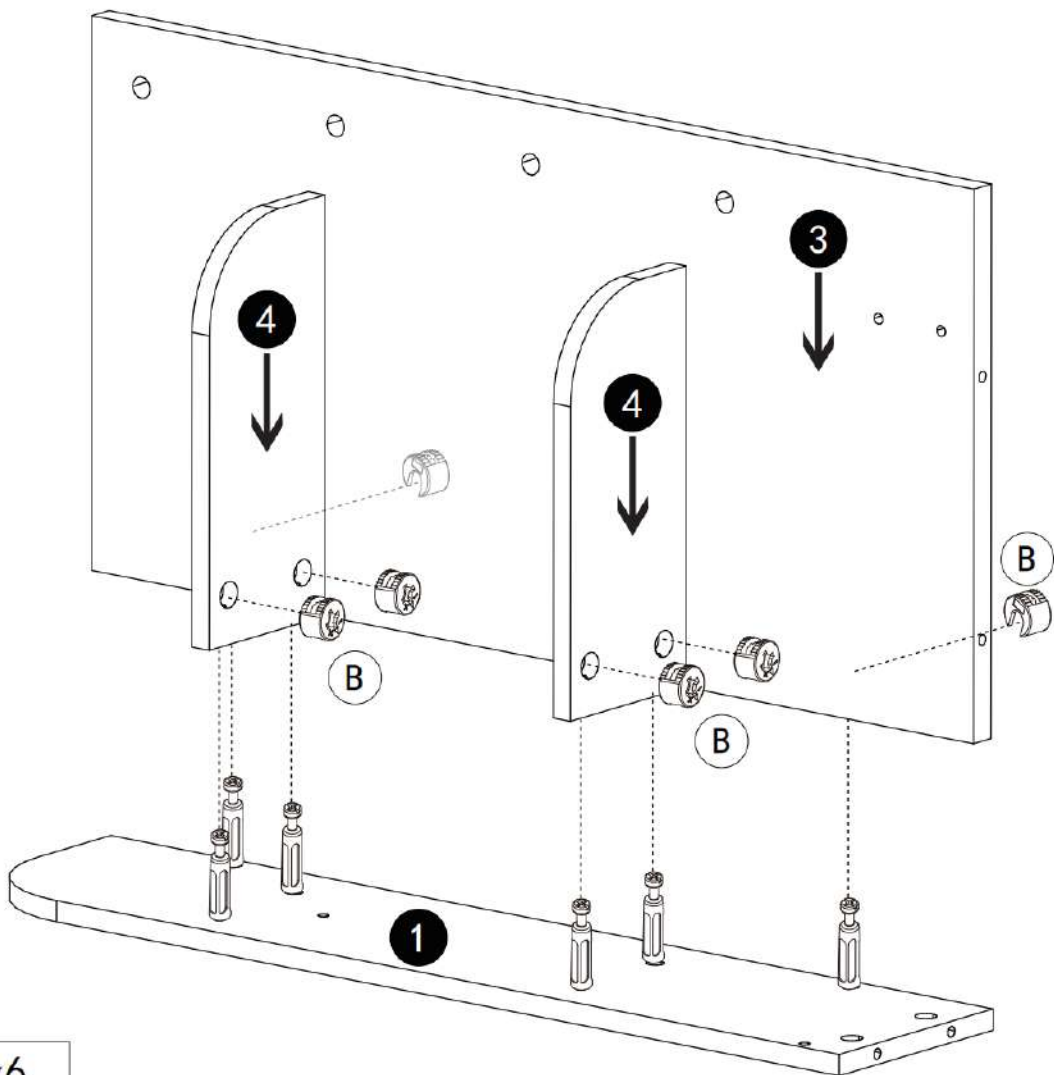
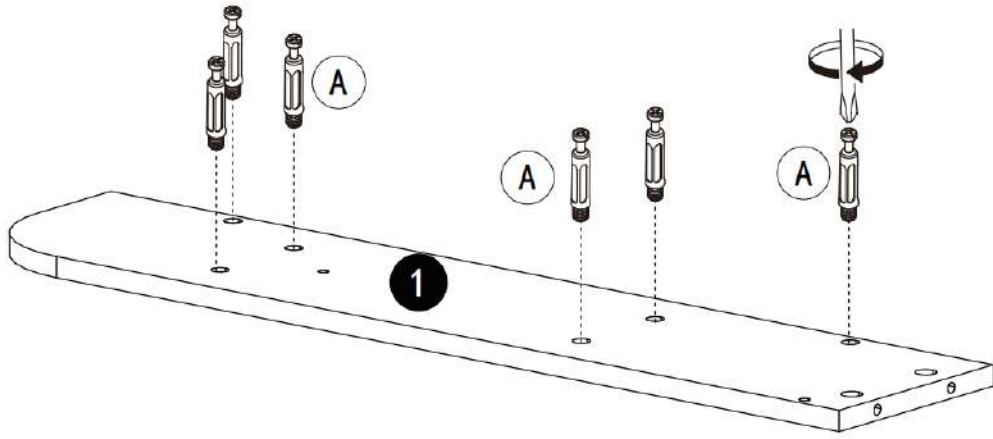




J		x8
N		x8

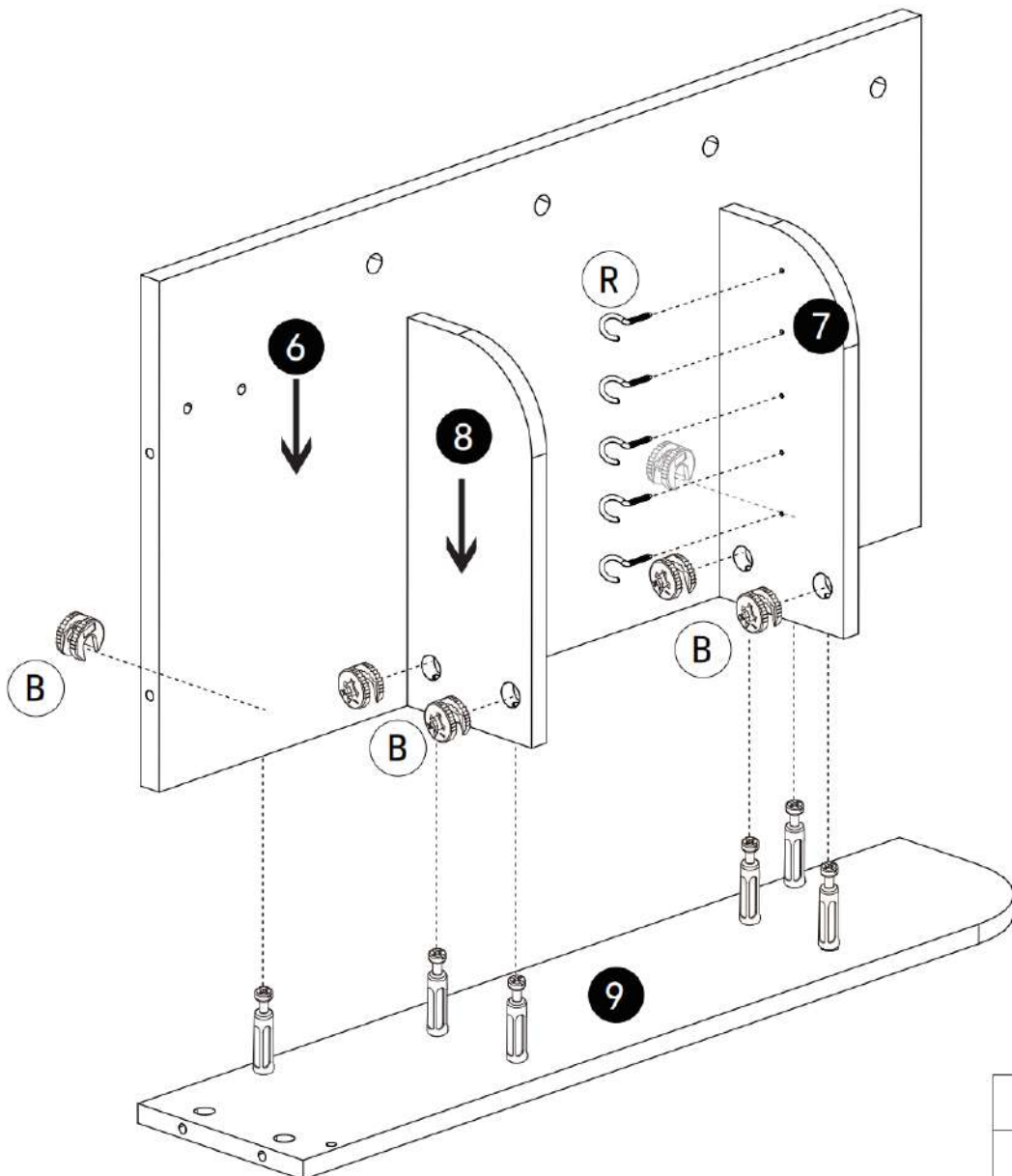
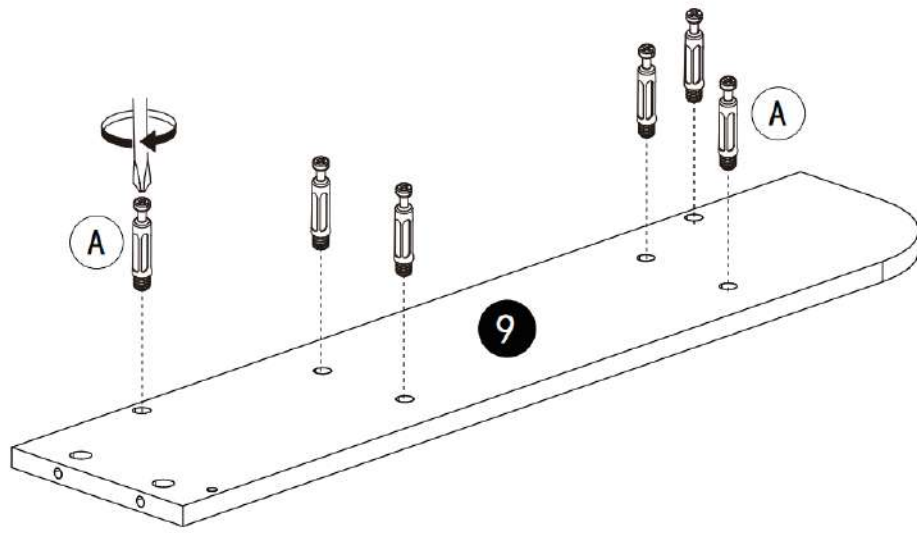







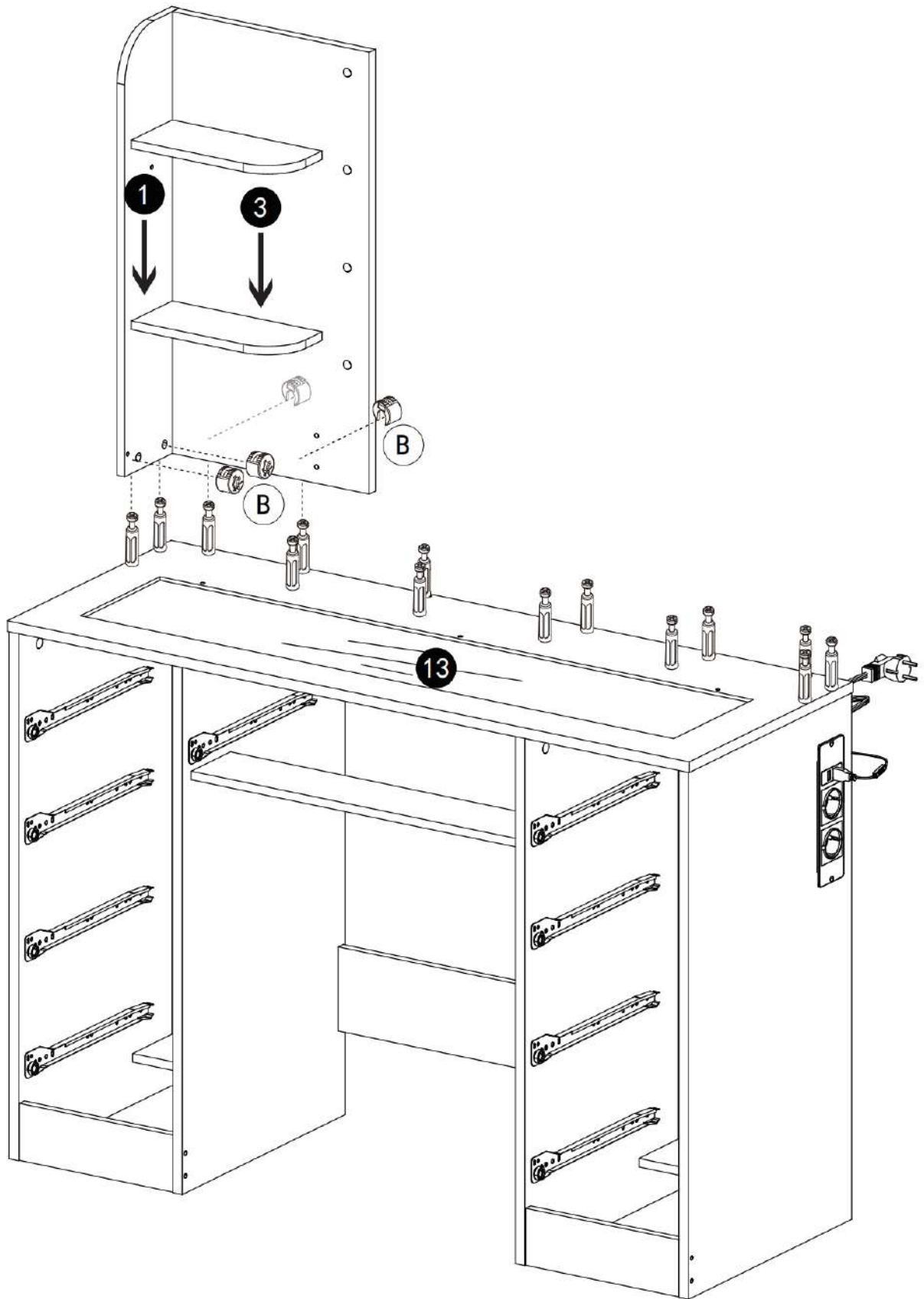
A		x14
E		x2
D		x1



A		x6
B		x6



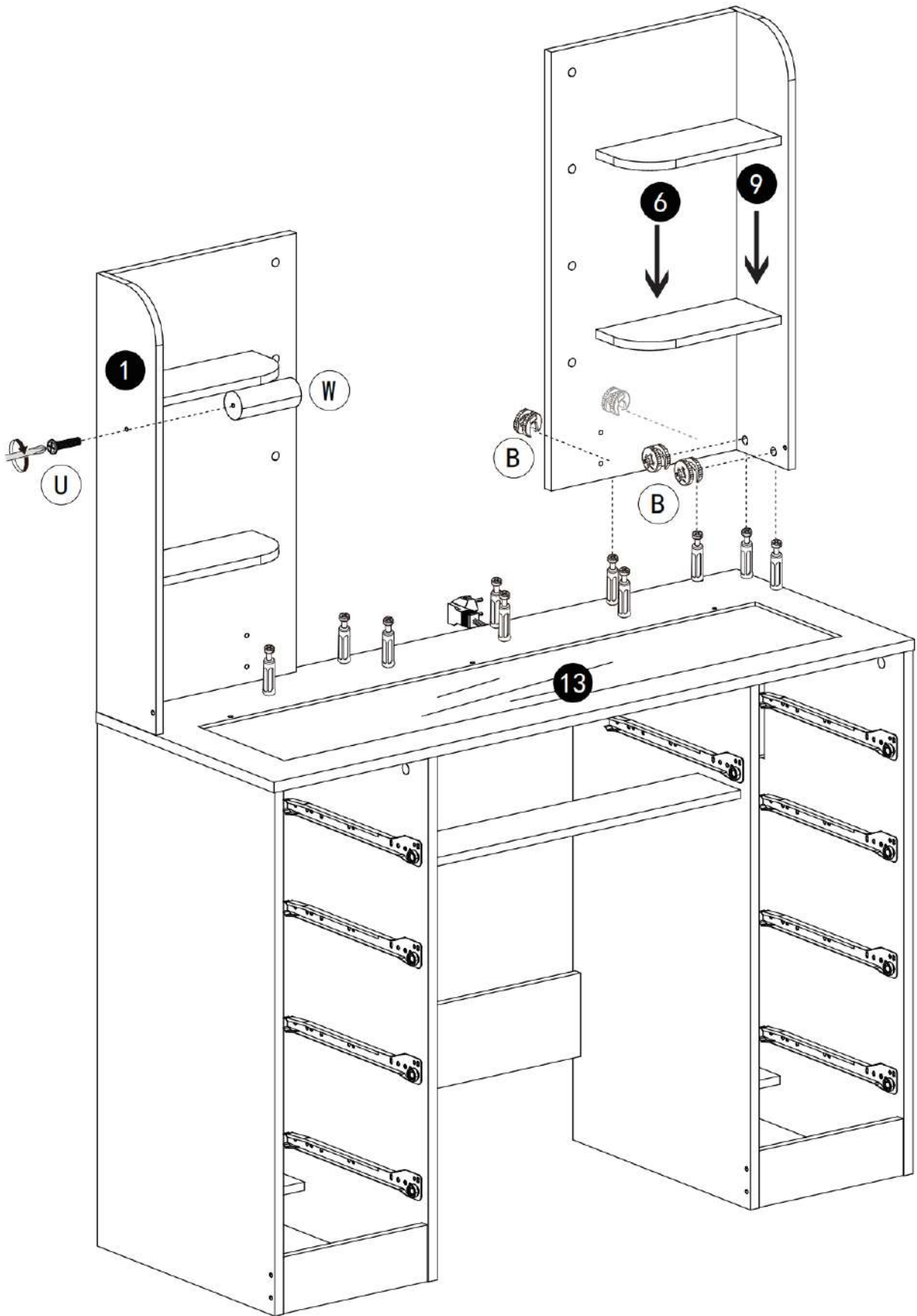
A		x6
B		x6
R		x5



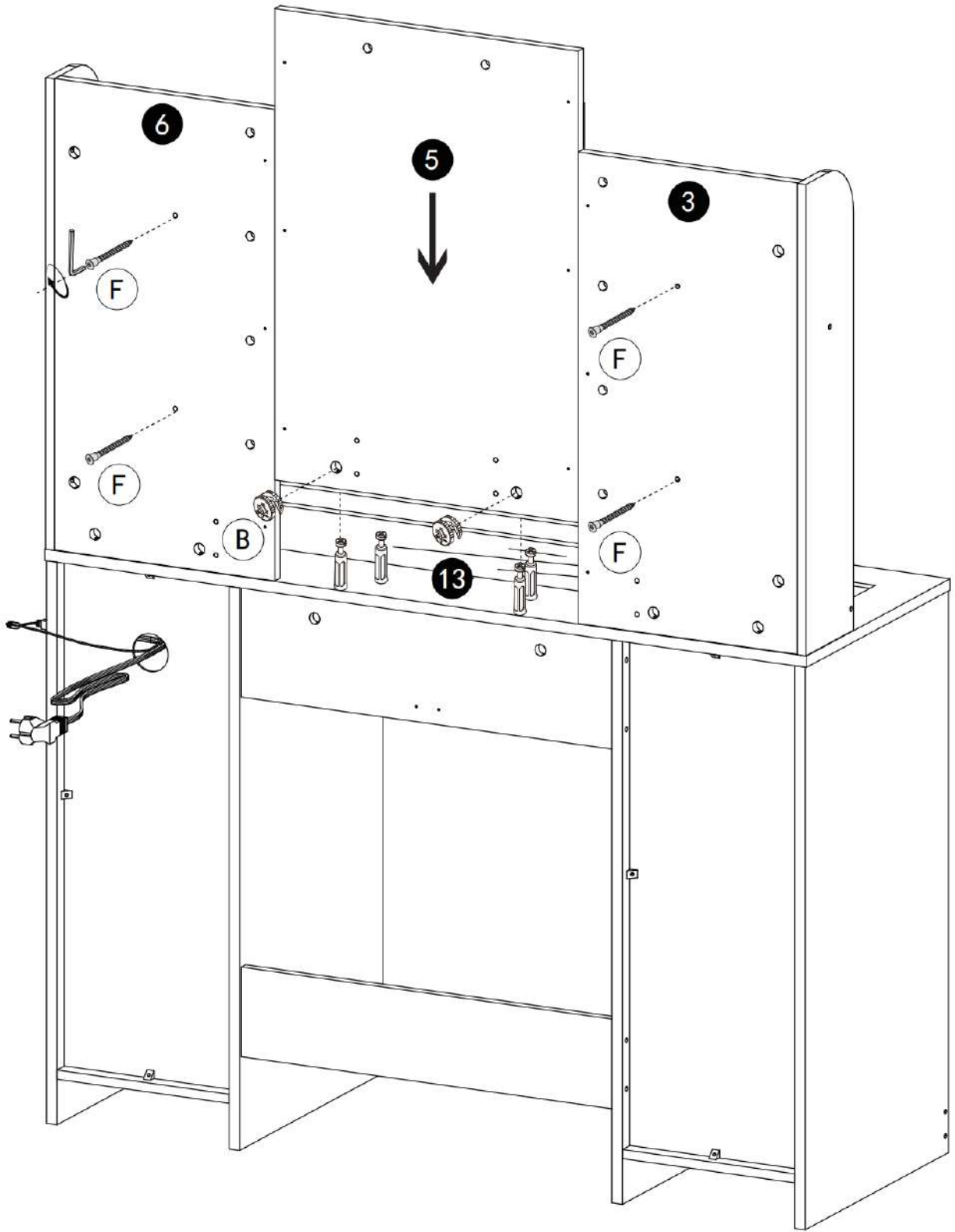
B



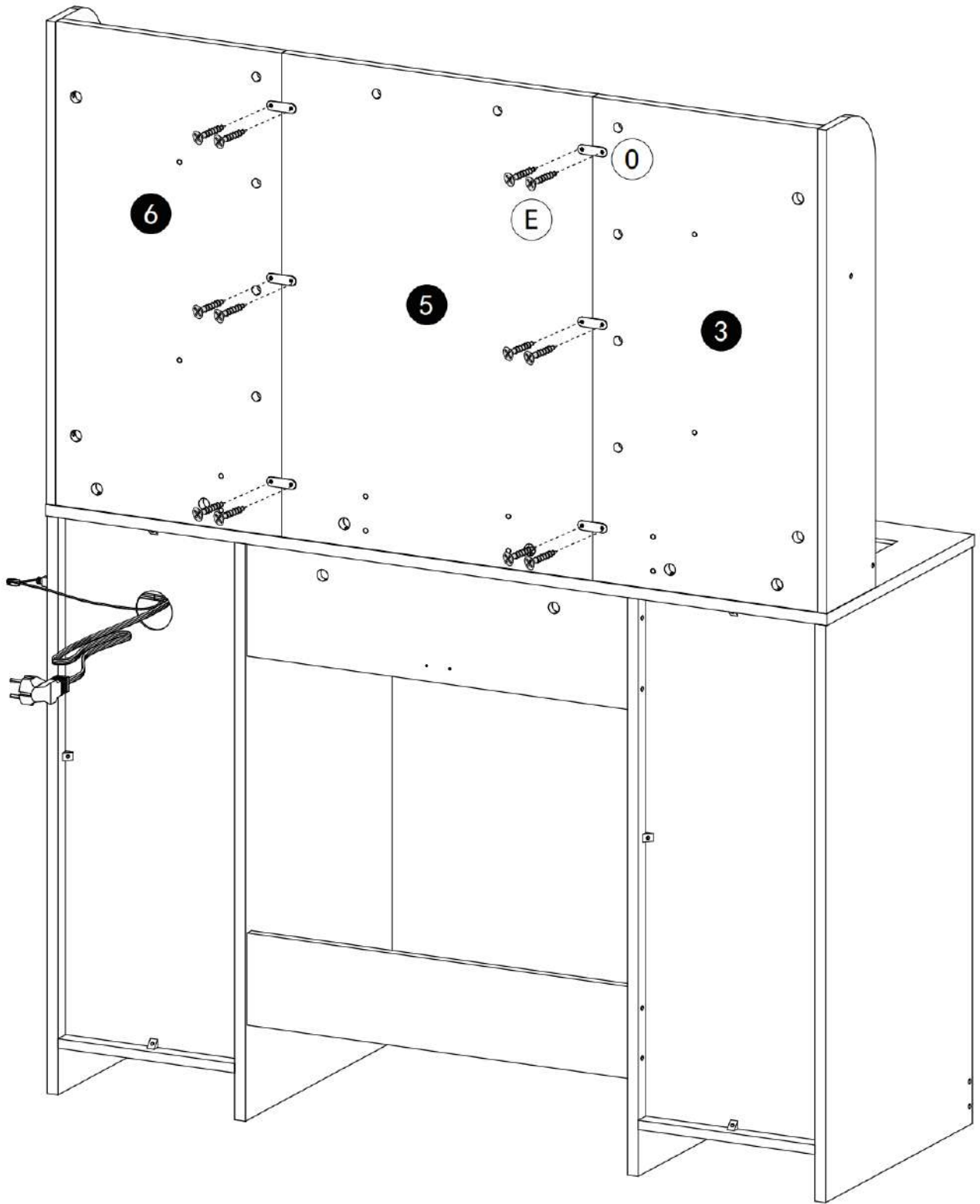
x4





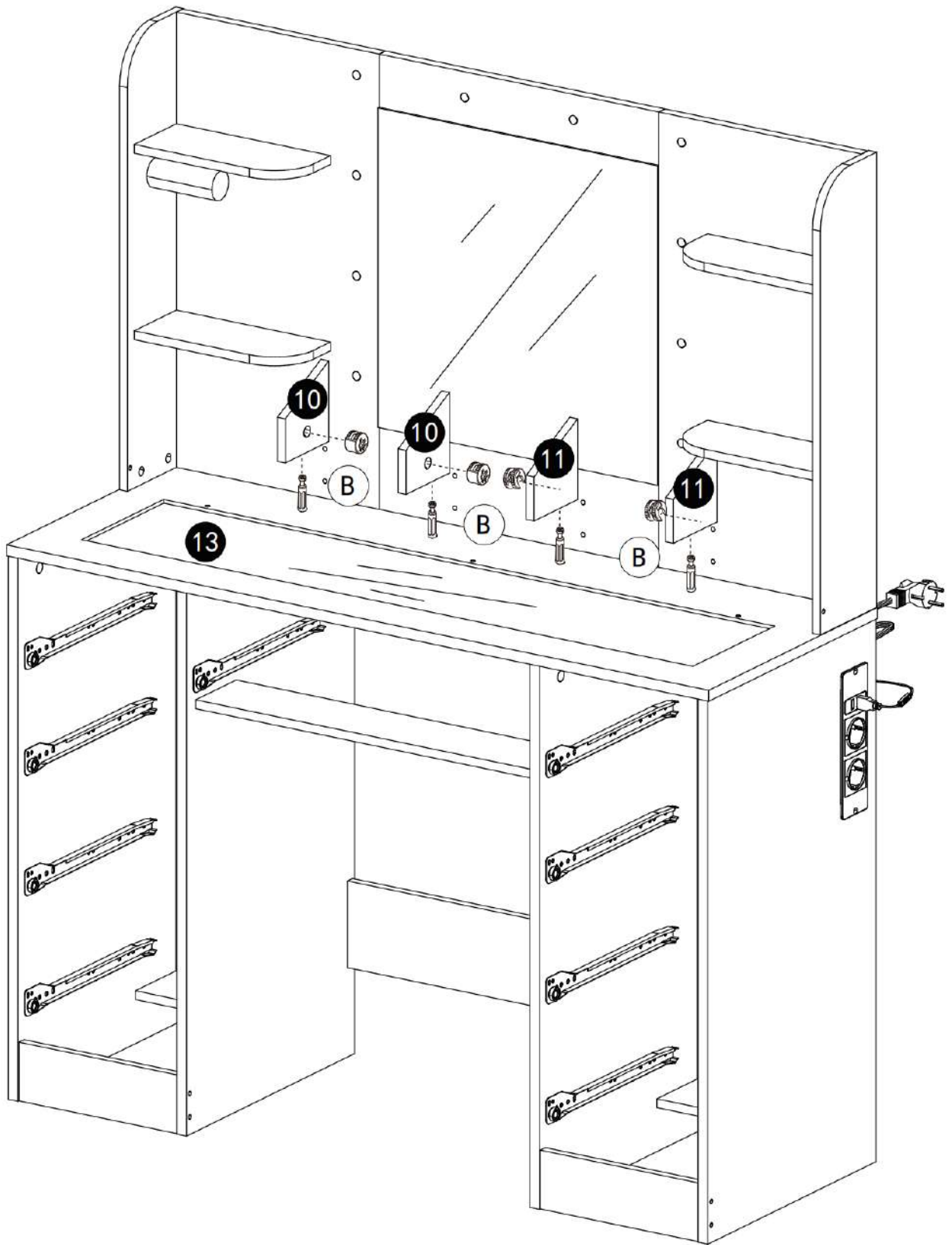
W		x1	U		x1	B		x4
---	---	----	---	---	----	---	---	----



B		x2	F		x4
---	---	----	---	---	----



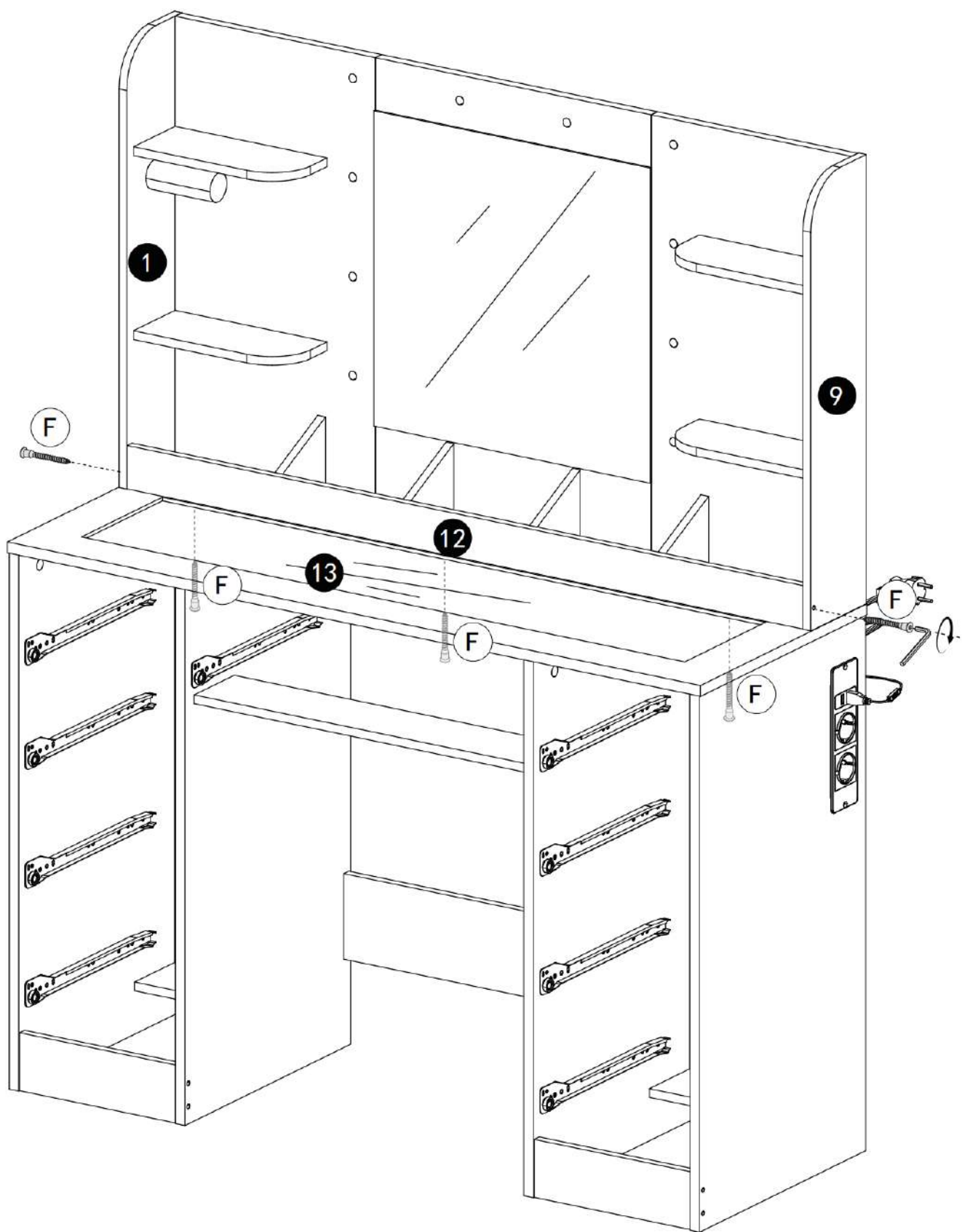
0		x6
E		x12



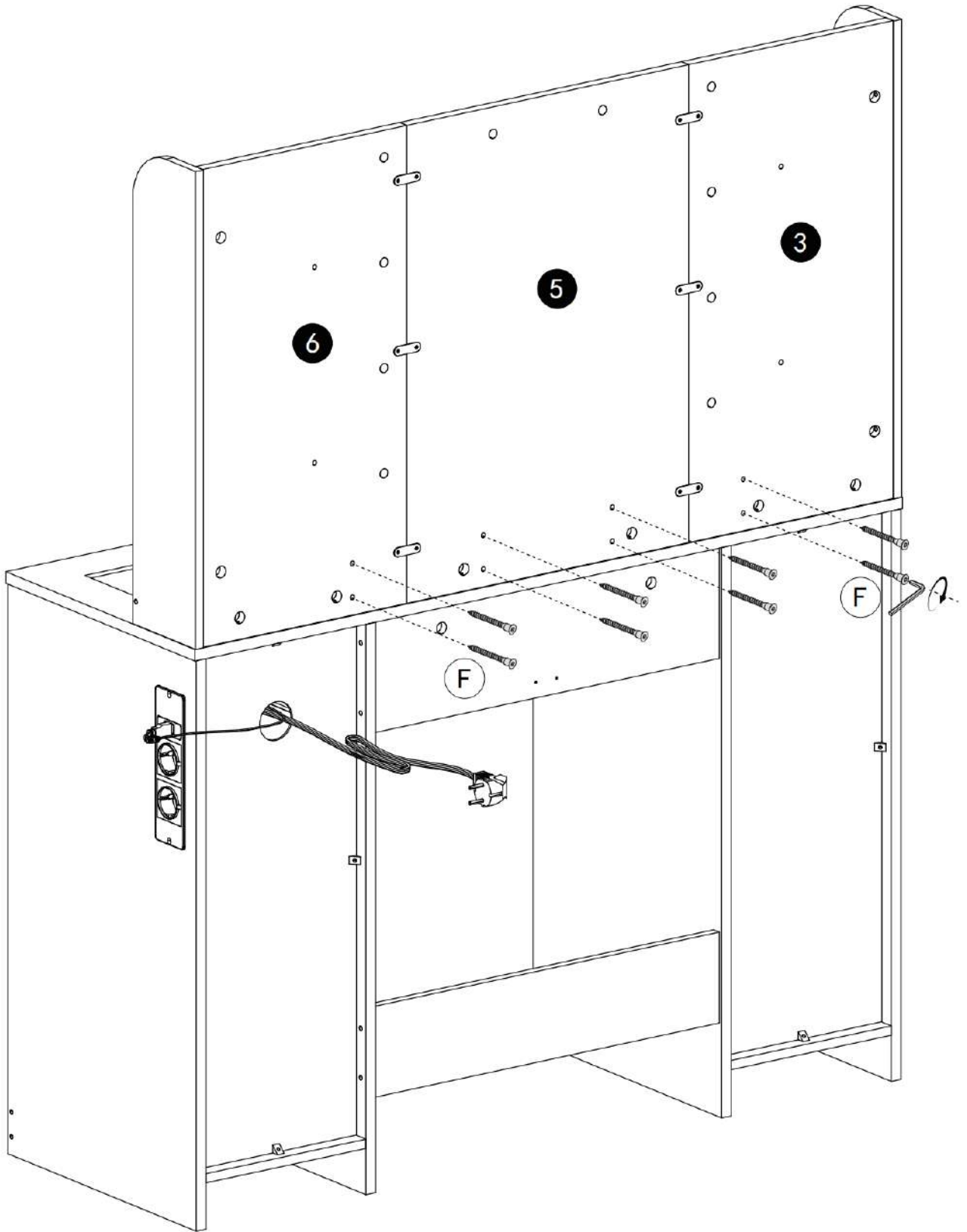
B



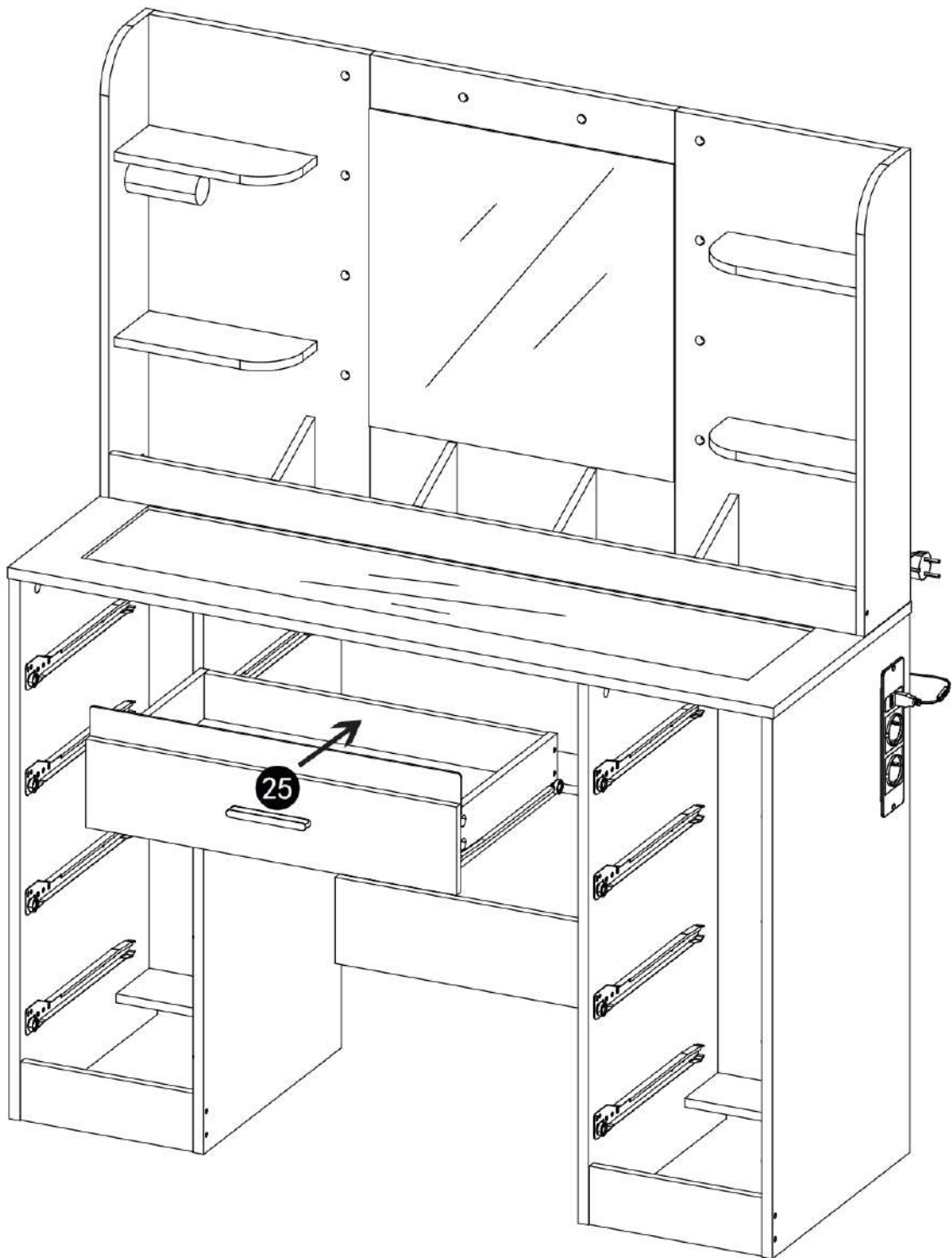
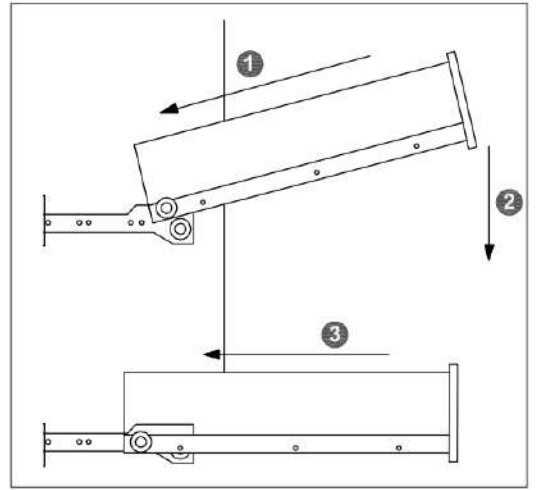
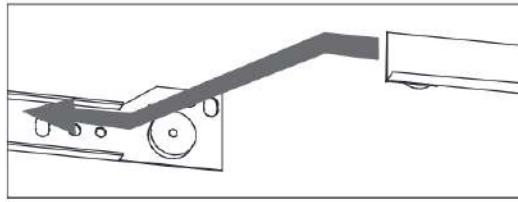
x4

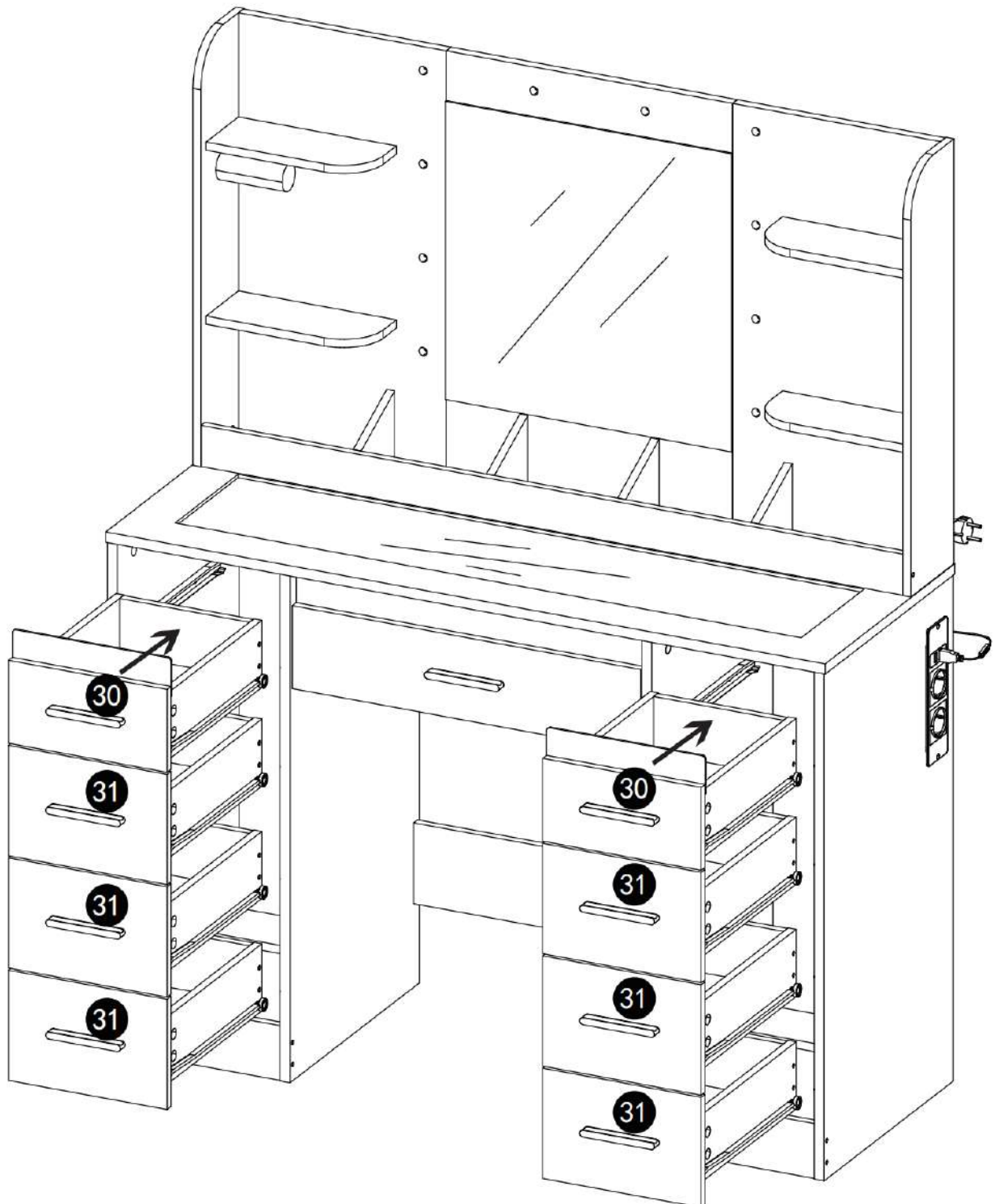
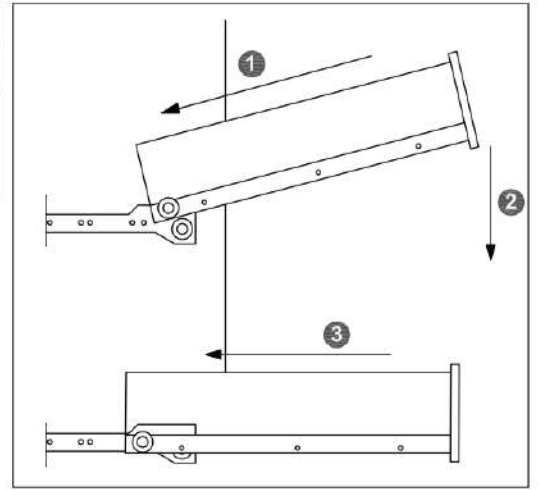
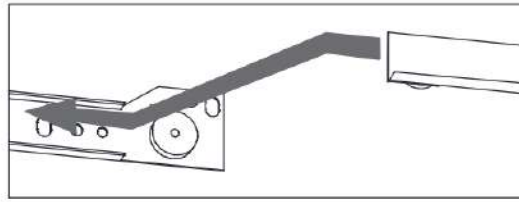


F		x5
---	---	----



F		x8
---	---	----

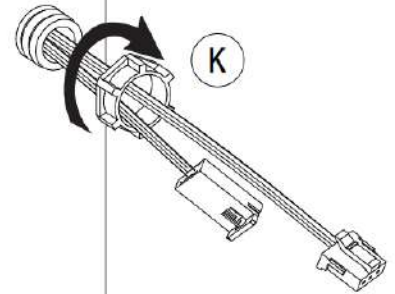
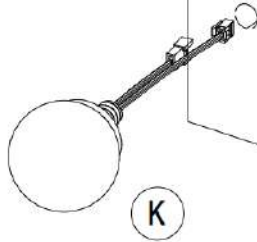




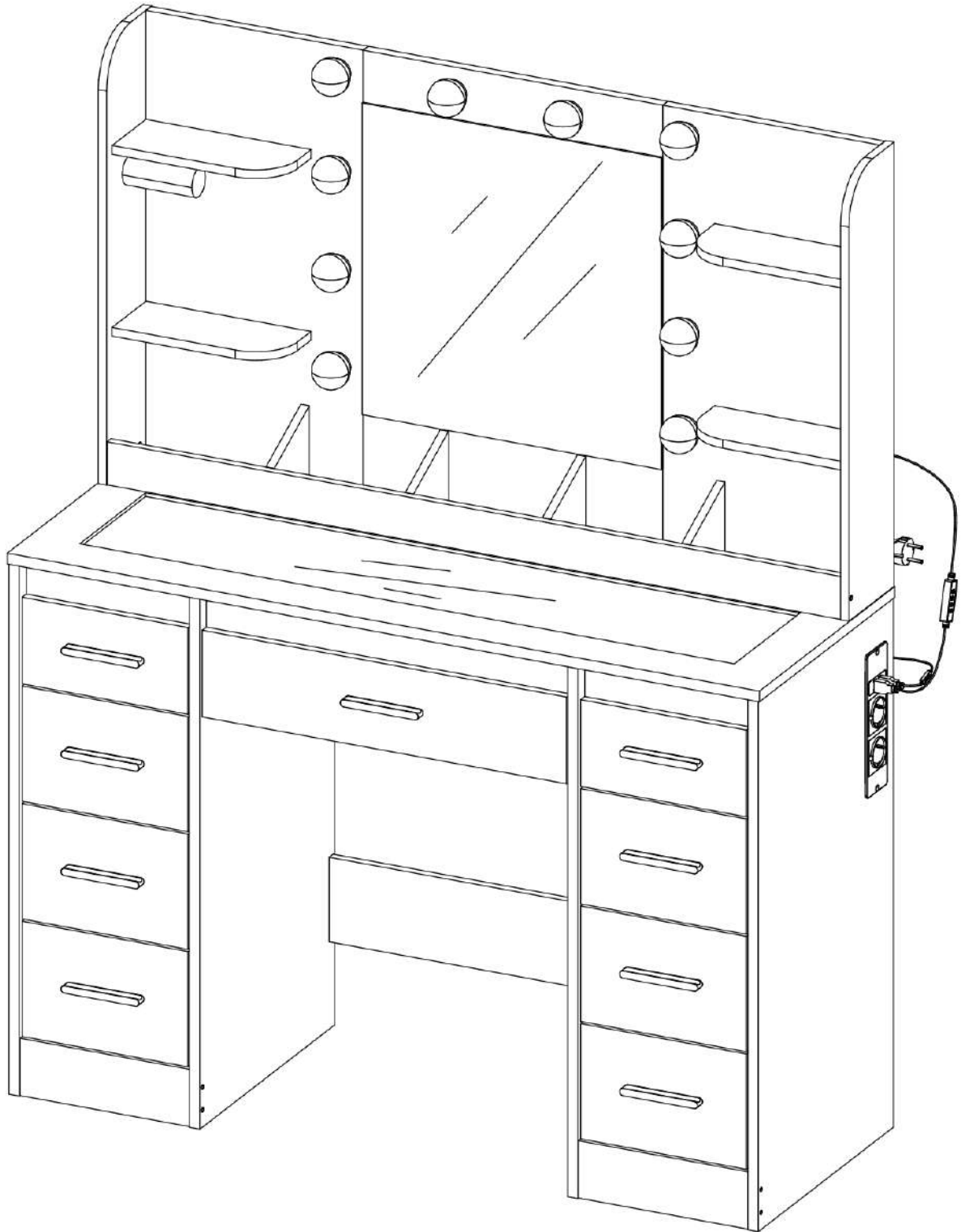
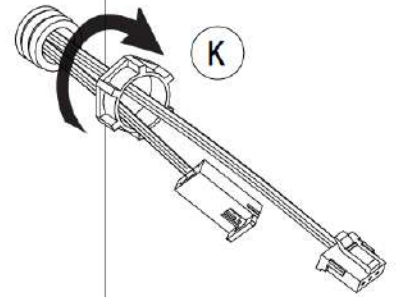
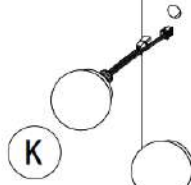


x10 PC

Install the
middle bulbs
(10 pcs)



32

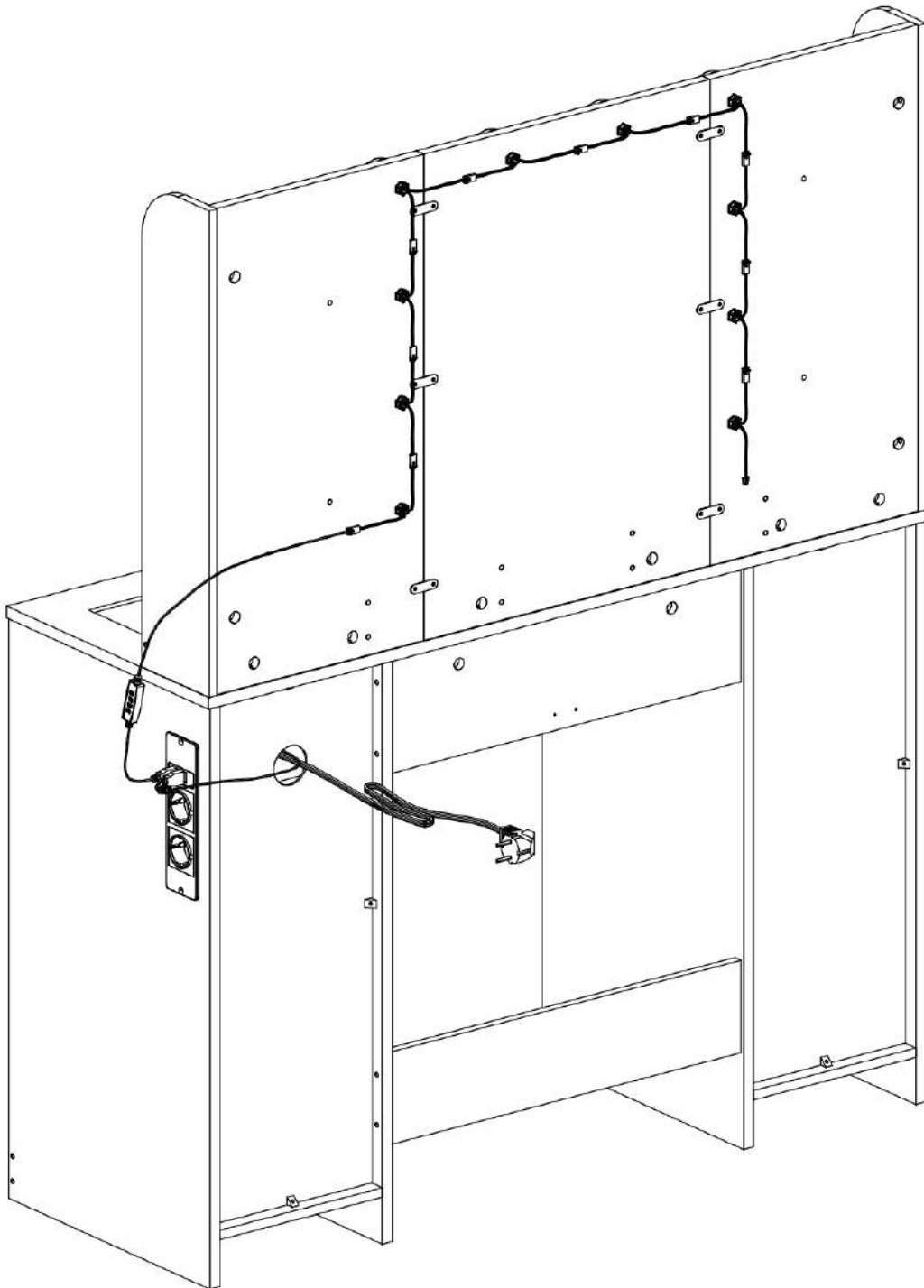
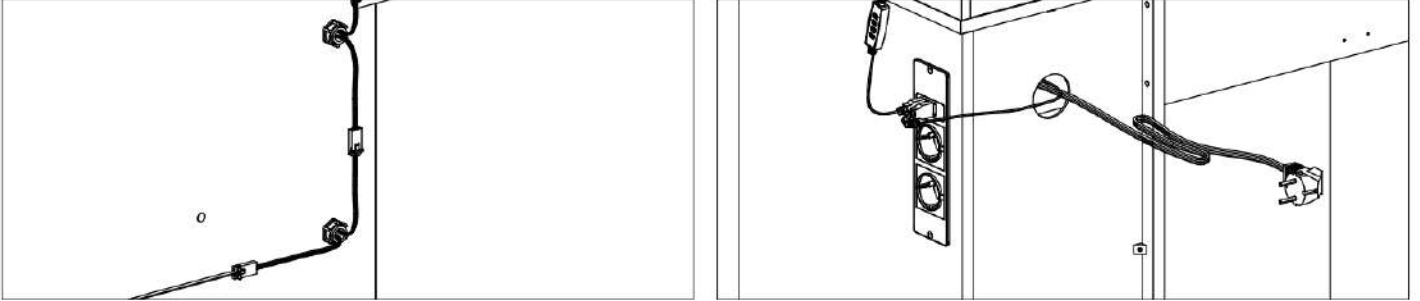
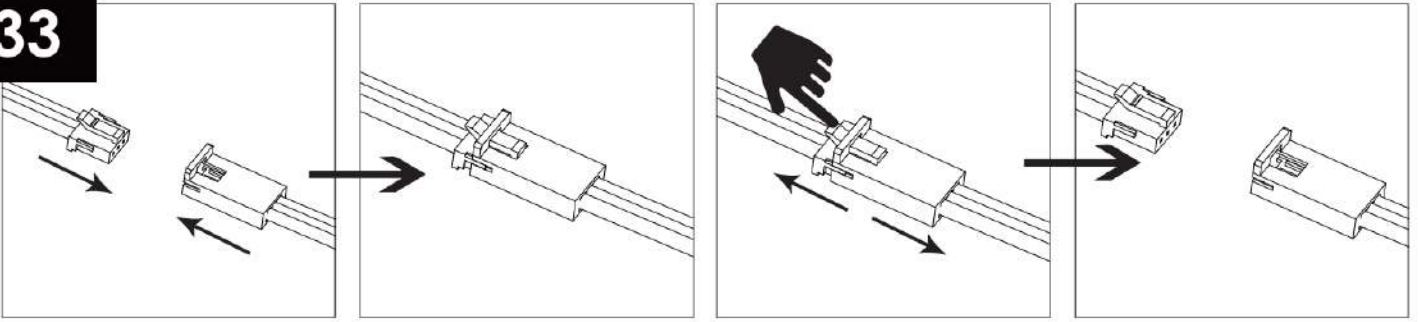


K



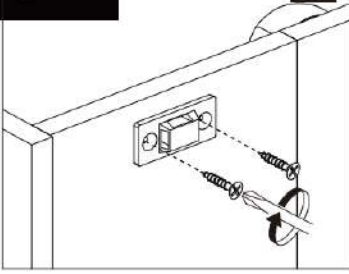
x1

33

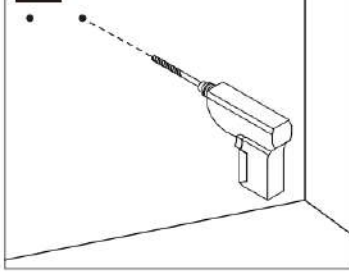


34

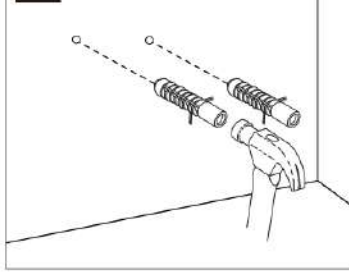
1



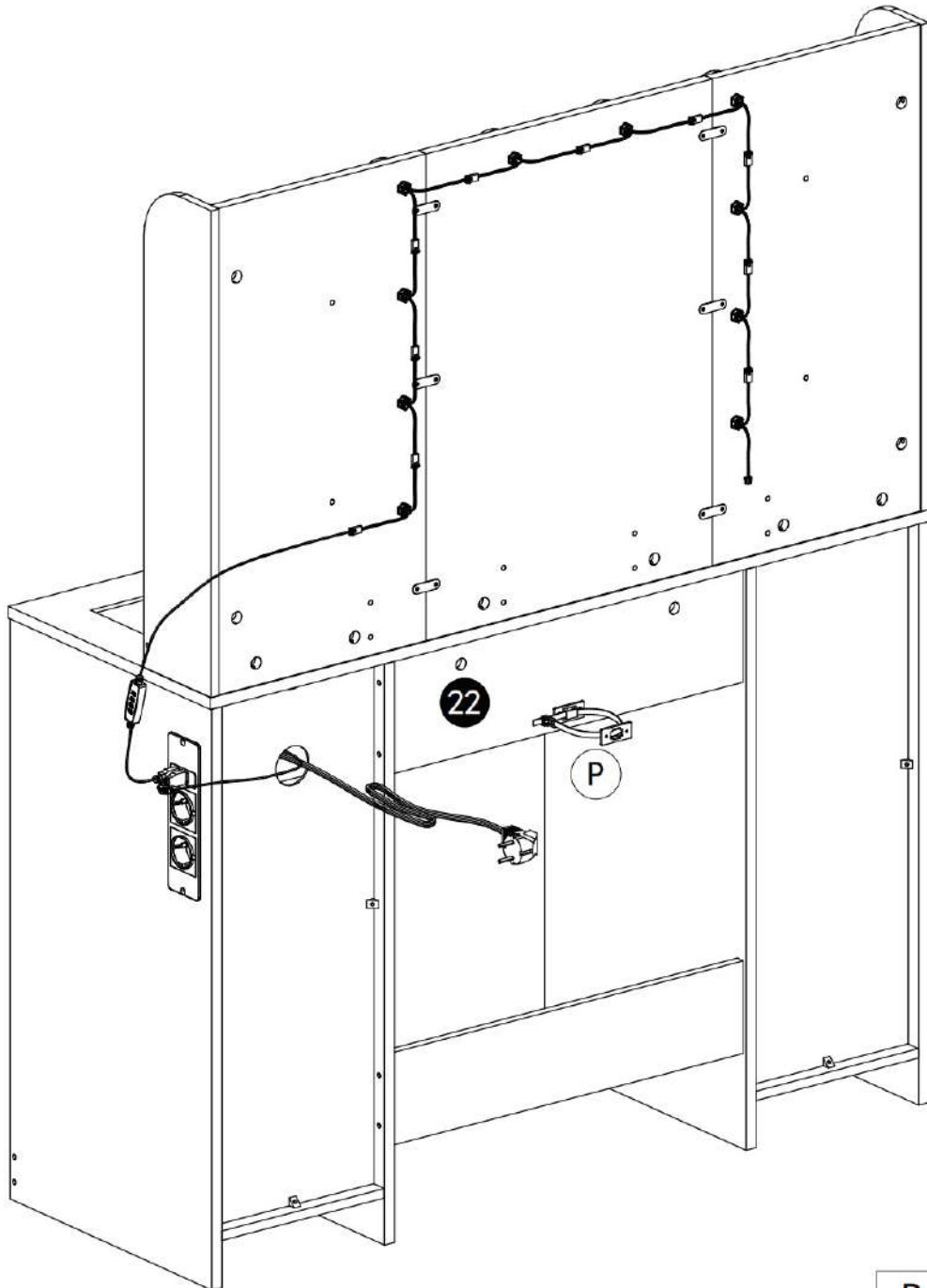
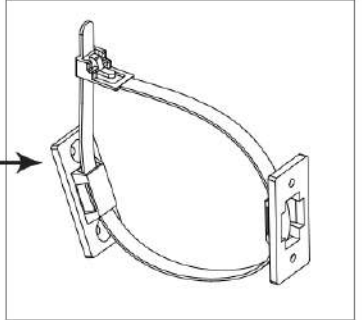
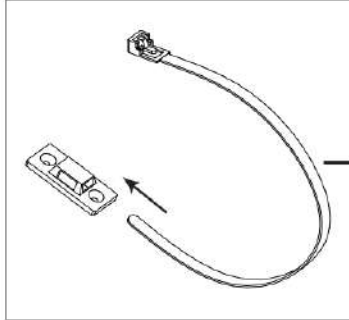
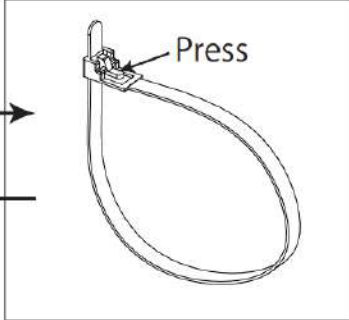
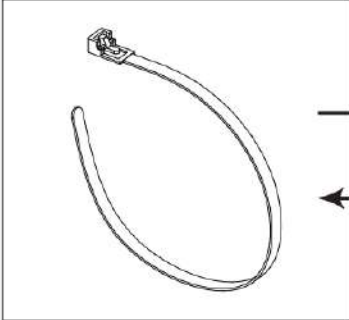
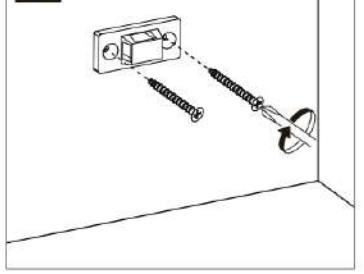
2



3

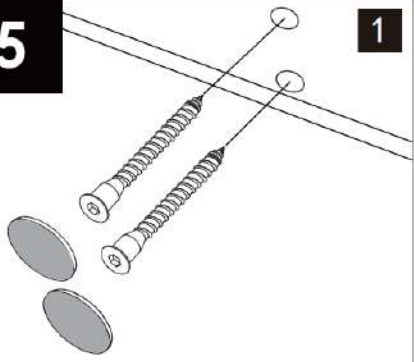


4



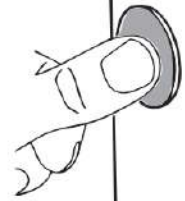
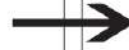
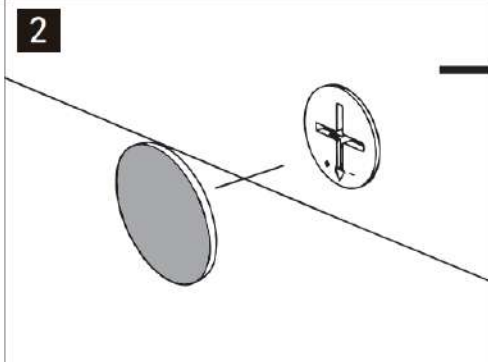
P  x1

35

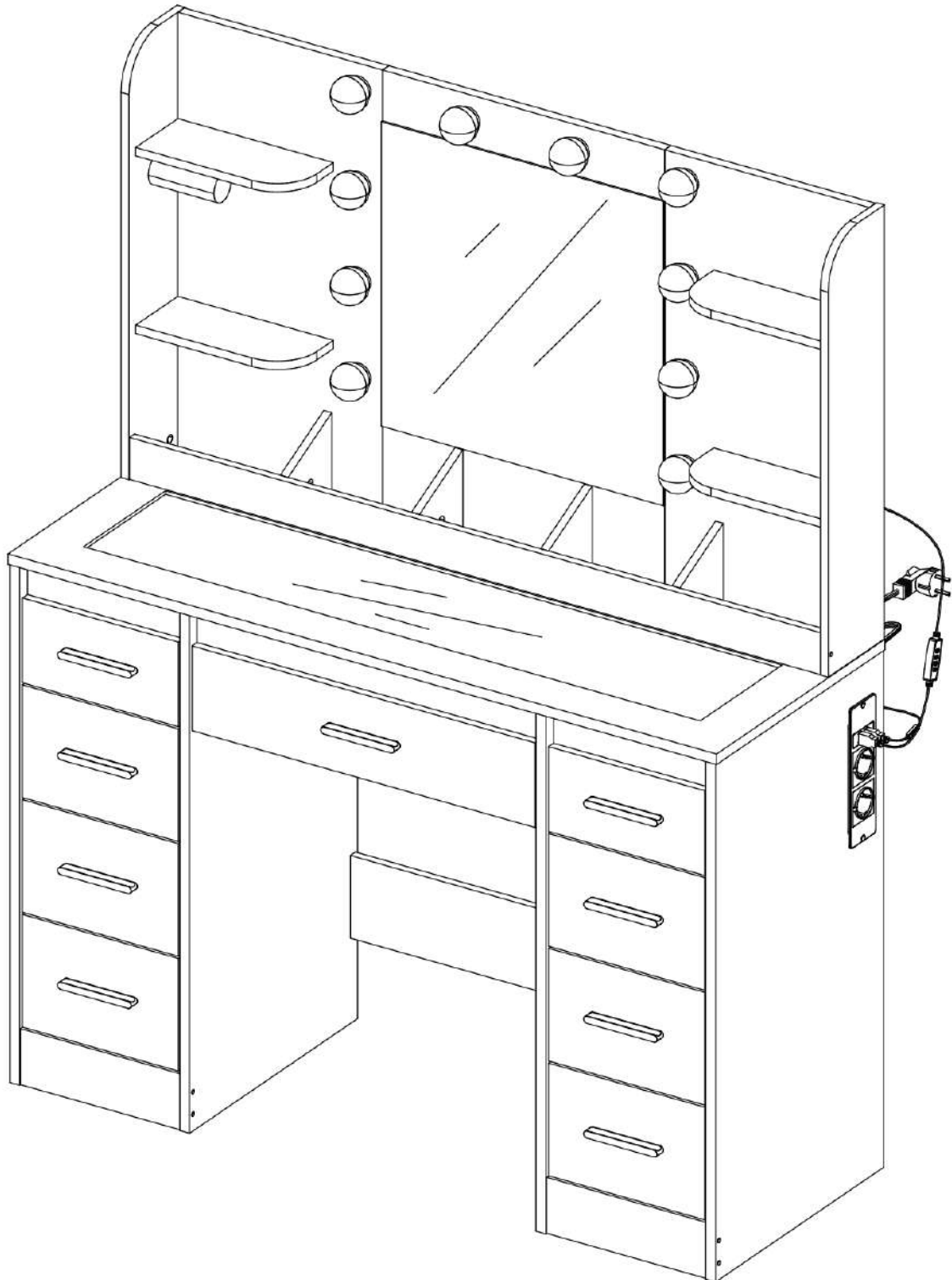


1

2



Add L fittings to all exposed holes on the front of the product



L



x20