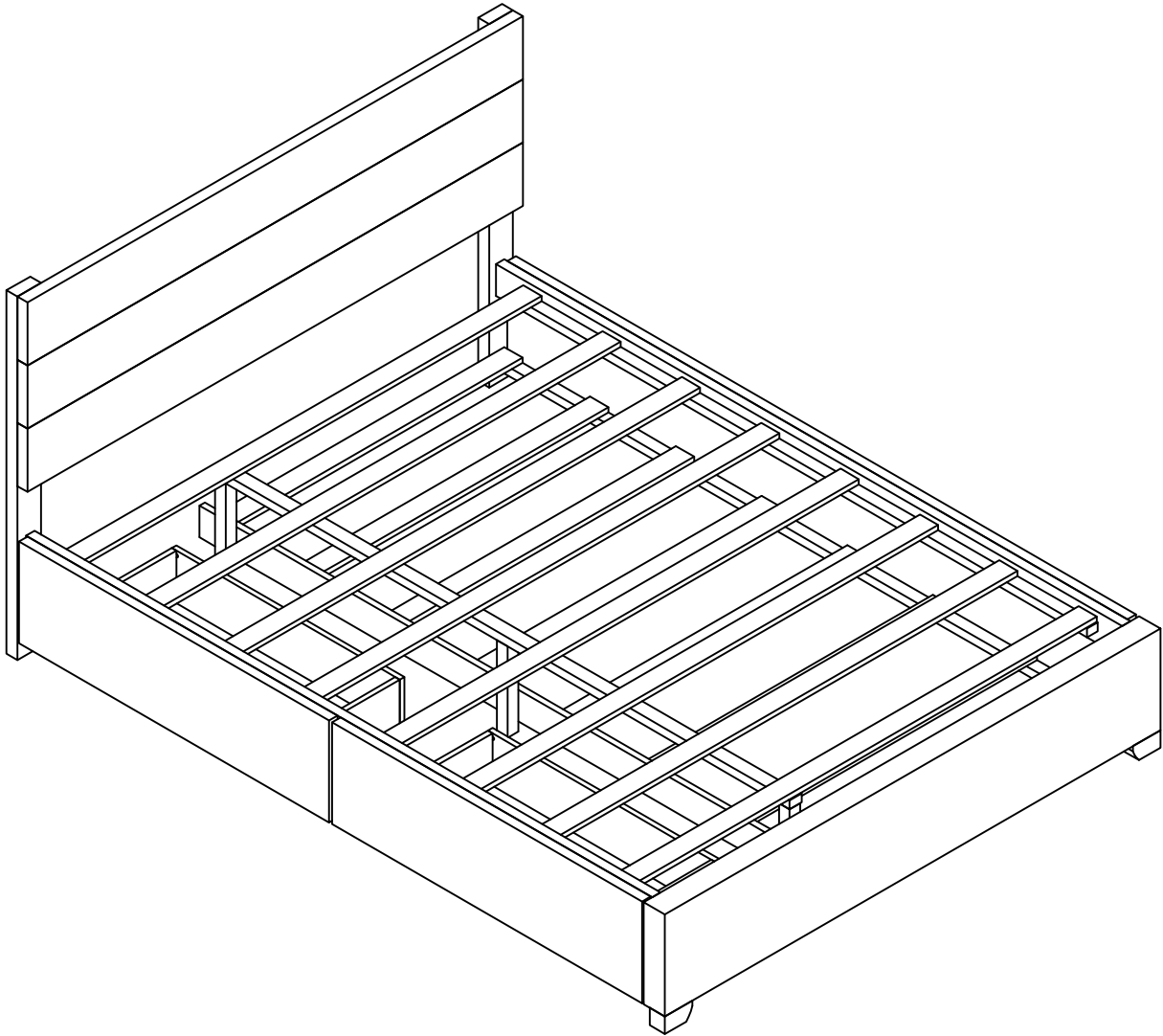


ASSEMBLY INSTRUCTIONS



IMPORTANT NOTE

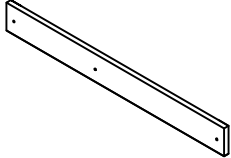



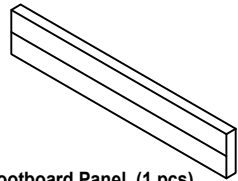
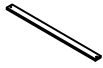
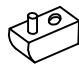

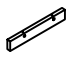

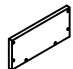
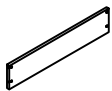
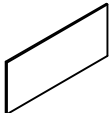
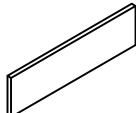
****PLACE ALL PARTS ON A CLEAN AND SMOOTH SURFACE SUCH AS A RUG OR CARPET TO AVOID THE PARTS FROM BEING SCRATCHED**

**** BEFORE YOU BEGIN , KINDY FOLLOW THE ASSEMBLY INSTRUCTIONS STEP BY STEP**

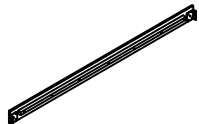
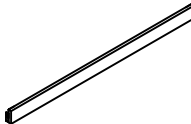
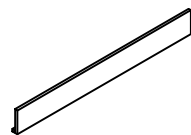

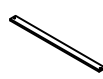

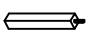
****DO NOT TIGHTEN ALL SCREWS AND BOLTS UNTIL THE BED IS FULLY SET-UP**

ASSEMBLY INSTRUCTIONS



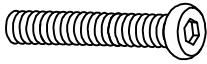
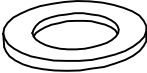
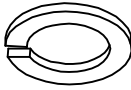

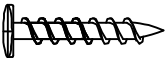
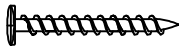
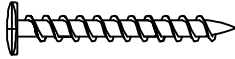
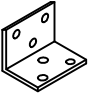


PART LIST BOX 1

<p>1</p>  <p>Lower Bed Panel (3 pcs)</p>	<p>2</p>  <p>Connection Bar (1 pc)</p>	
<p>3</p>  <p>Left Metal Plate (1 pc)</p>	<p>4</p>  <p>Right Metal Plate (1 pc)</p>	<p>5</p>  <p>Footboard Panel (1 pcs)</p>
<p>6</p>  <p>Roll Slat (8 pcs) 1365*60*15</p>	<p>7</p>  <p>Leg (2 pcs)</p>	<p>8</p>  <p>Left Wheel Board (2pcs)</p>
<p>9</p>  <p>Right Wheel Board (2 pcs)</p>	<p>10</p>  <p>Stand in Pull Box (4pcs)</p>	<p>11</p>  <p>Side Pull Box (4pcs)</p>
<p>12</p>  <p>Back Panel Pull Box (2 pcs)</p>	<p>13</p>  <p>Pull Box Bottom Board (2 pcs)</p>	<p>14</p>  <p>Pull Box Bottom Board (2pcs)</p>

PART LIST BOX 2: WF 294632

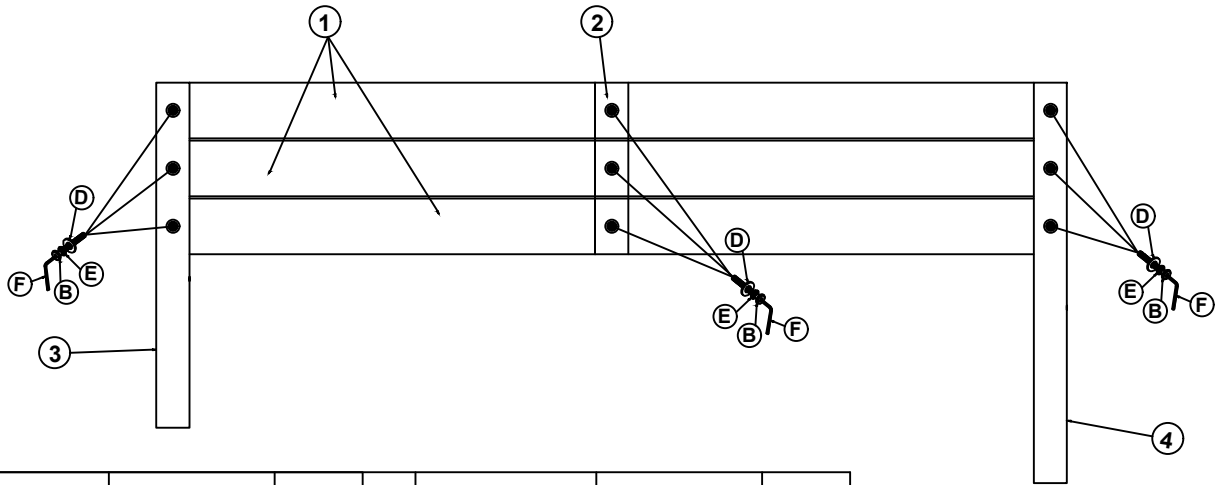
<p>15</p>  <p>Left Lower Rail (1 pc)</p>	<p>16</p>  <p>Right Lower Rail (1pc)</p>	<p>17</p>  <p>Front Panel Trundle (1 pc)</p>
<p>18</p>  <p>Back Panel Trundle (1 pc)</p>	<p>19</p>  <p>Roll Slat (8 pcs) 985*60*15</p>	<p>20</p>  <p>Center Rail (1 pc)</p>
<p>21</p>  <p>Bed Slat Support With Leveler (3 pcs)</p>		





ASSEMBLY INSTRUCTIONS

<p>A</p>  <p>(Ø 5/16 "X25mm) Short Bolt (8pcs)</p>	<p>B</p>  <p>(Ø 5/16 "X38mm) Long Bolt (9 pcs)</p>	<p>C</p>  <p>(Ø 5/16 "X55mm) Long Bolt (2 pcs)</p>
<p>D</p>  <p>(Ø 5/16 "-RBW) Flat Washer (19 pcs)</p>	<p>E</p>  <p>(Ø 5/16 "-RBW) Spring Washer (19 pcs)</p>	<p>F</p>  <p>(M4x75mm x32mm) Allen Wrench (1 pc)</p>
<p>G</p>  <p>(m4x20mm-RBW) Flat Head Screw (72 pcs)</p>	<p>H</p>  <p>(m4x30mm-RBW) Flat Head Screw (44 pcs)</p>	<p>I</p>  <p>(m4x38mm-RBW) Flat Head Screw (24 pcs)</p>
<p>J</p>  <p>(38mmx38mmx25mmx2mm) Square Patch (4 pcs)</p>	<p>K</p>  <p>(Ø10x10mmx10mm) Plastic Button (24 pcs)</p>	<p>L</p>  <p>(m41x25mmx50mm) Wheels (12 pcs)</p>

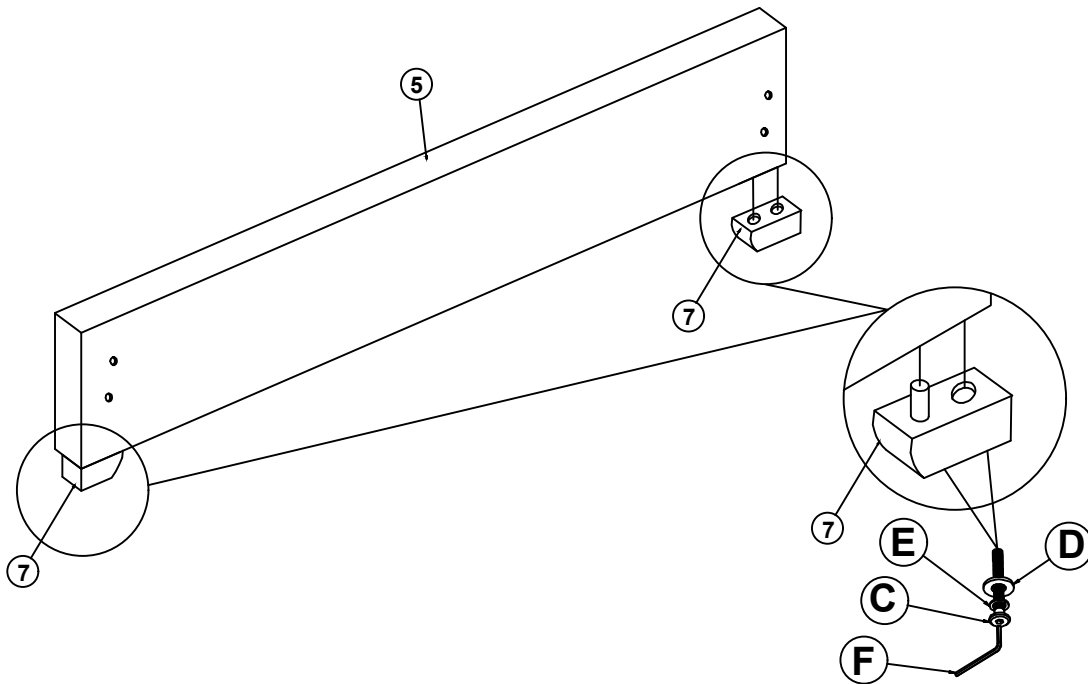
ASSEMBLY INSTRUCTIONS





STEP 1



B	Bolt (Ø 5/16 "X38mm)		9pcs	D	Flat Washer (Ø 5/16 "RBW)		9pcs
E	Spring Washer (Ø 5/16 "RBW)		9pcs	F	Allen Wrench (M4x75mm x32mm)		1pc

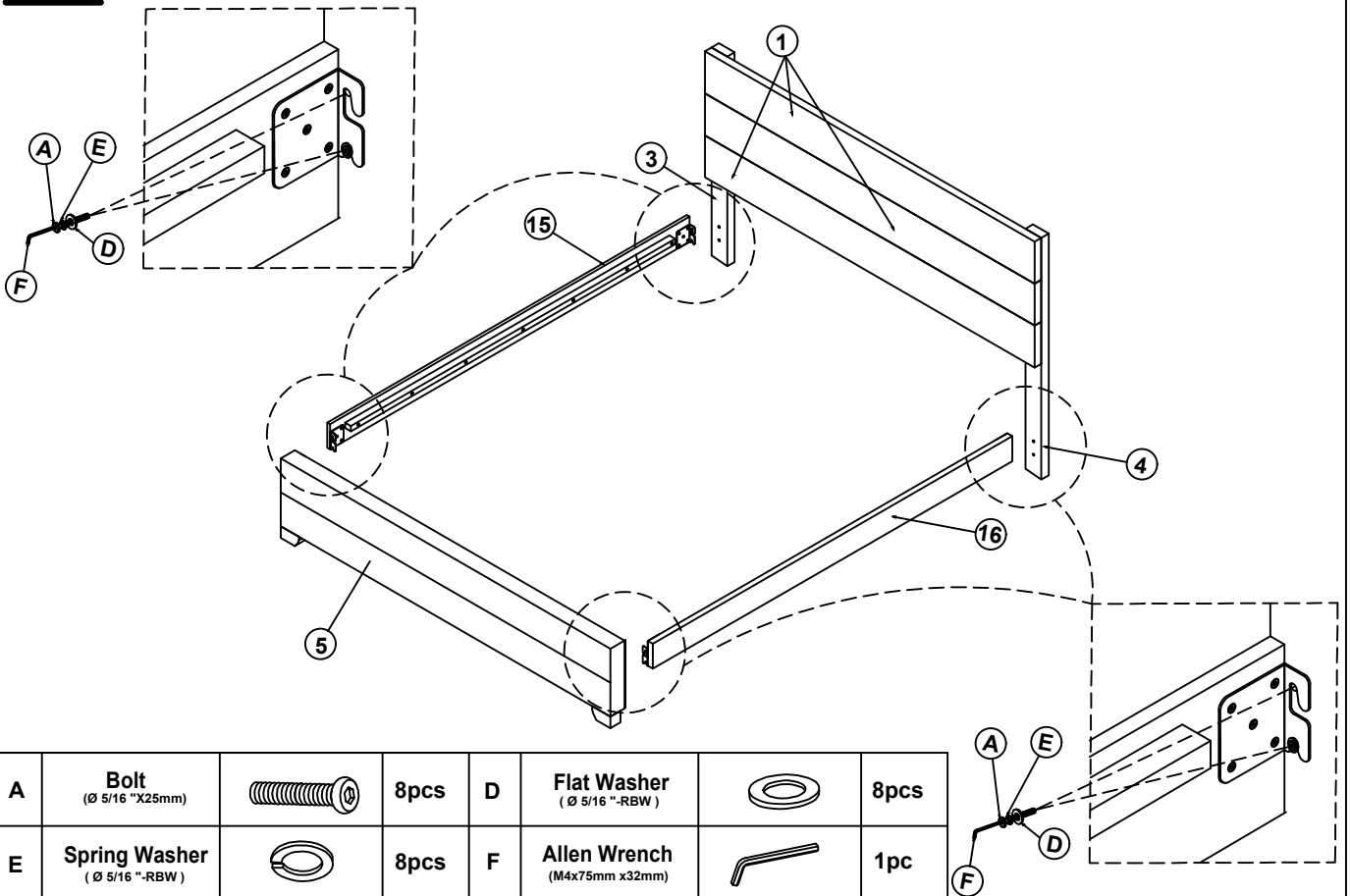
STEP 2







C	Bolt (Ø 5/16 "X55mm)		2pcs	D	Flat Washer (Ø 5/16 "RBW)		2pcs
E	Spring Washer (Ø 5/16 "RBW)		2pcs	F	Allen Wrench (M4x75mm x32mm)		1pc

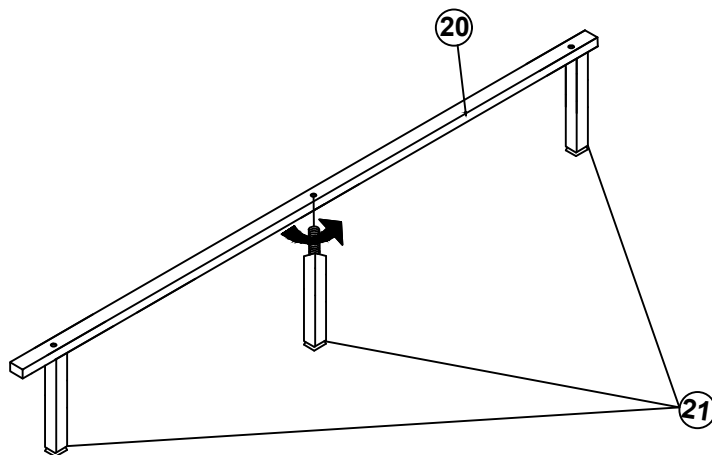
ASSEMBLY INSTRUCTIONS

STEP 3



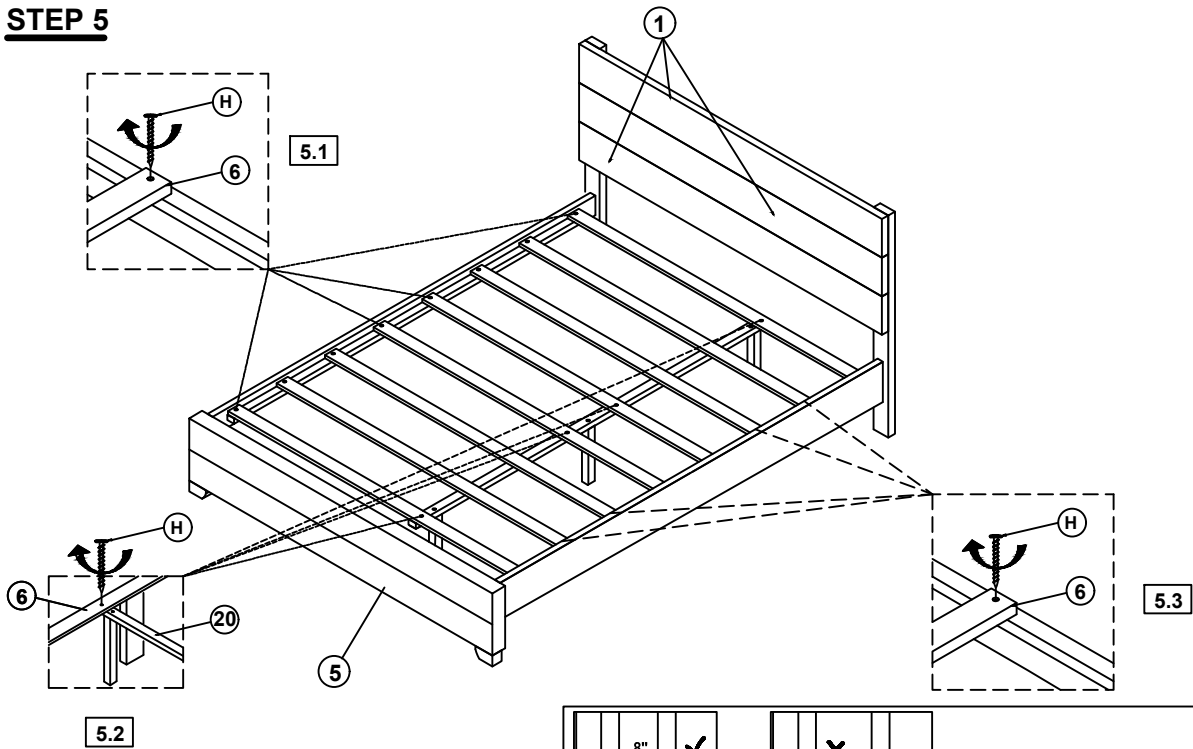
A	Bolt (Ø 5/16 "X25mm)		8pcs	D	Flat Washer (Ø 5/16 "-RBW)		8pcs
E	Spring Washer (Ø 5/16 "-RBW)		8pcs	F	Allen Wrench (M4x75mm x32mm)		1pc

STEP 4

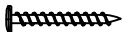


ASSEMBLY INSTRUCTIONS

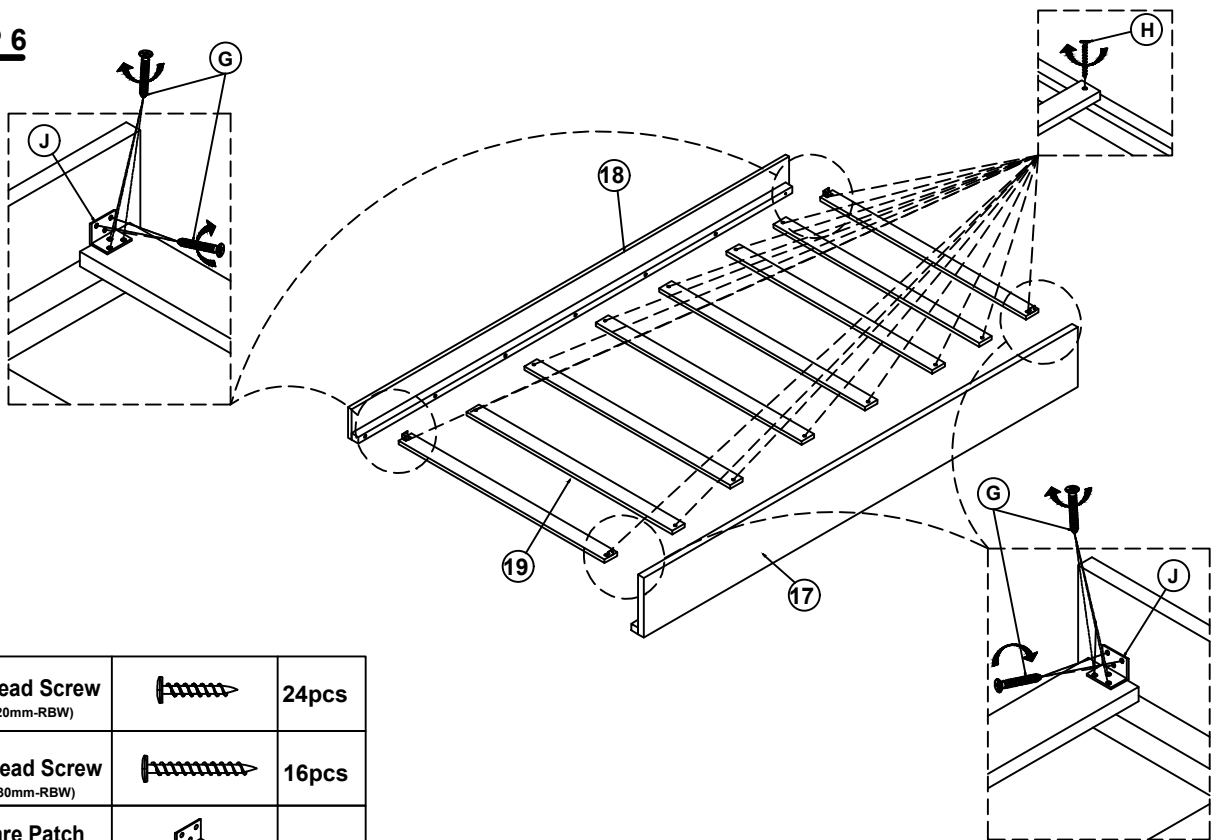
STEP 5

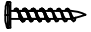
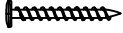



NOTE: Do not lock the screws of the trundle slats to the utermost edge the trundle slats, you need to leave a certain space at the edges, otherwise it will cause the board to break.

H	Flat Head Screw (m4x30mm-RBW)		20pcs
---	----------------------------------	---	-------

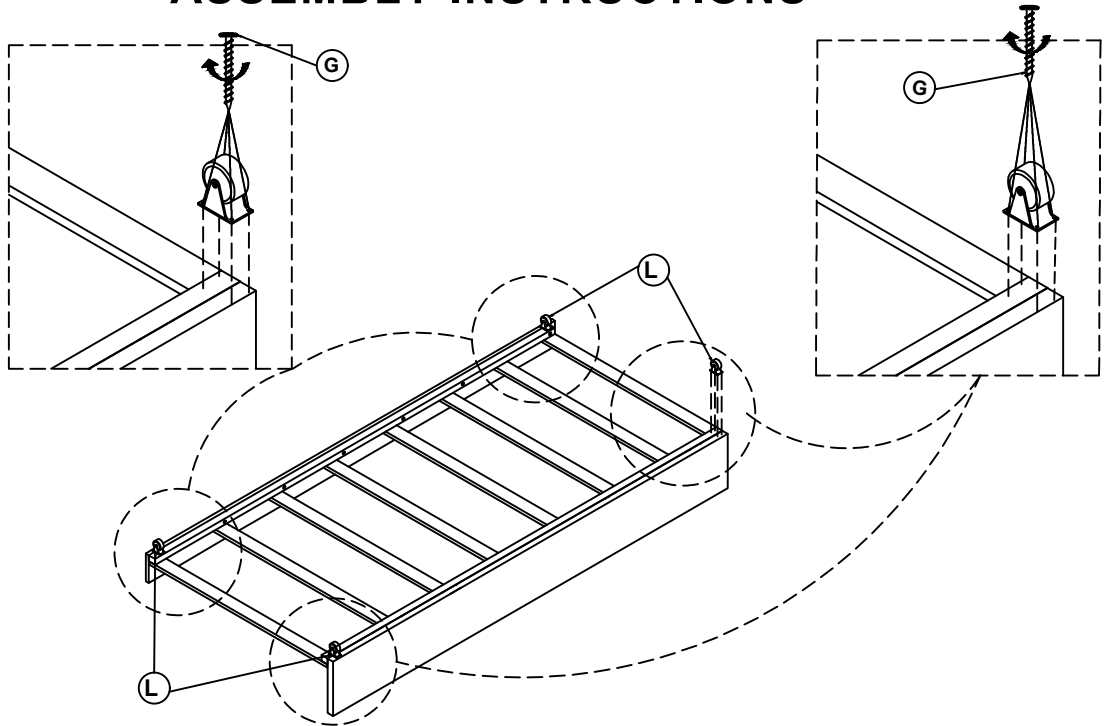
STEP 6

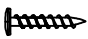



G	Flat Head Screw (m4x20mm-RBW)		24pcs
H	Flat Head Screw (m4x30mm-RBW)		16pcs
J	Square Patch (38mmx38mmx25mmx2mm)		4pcs

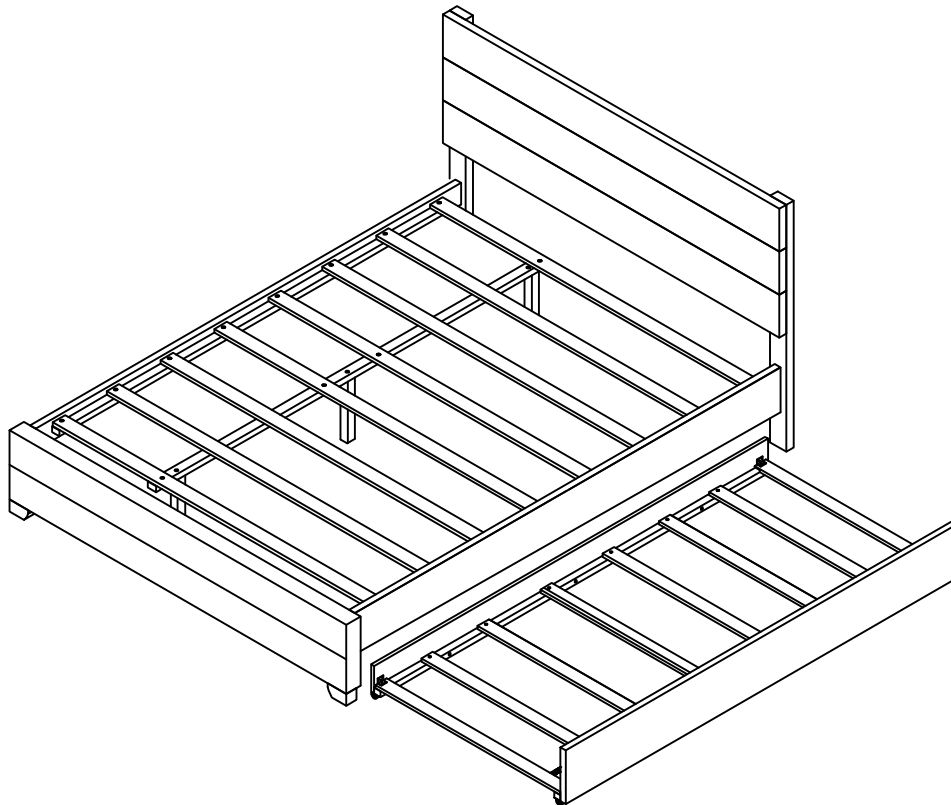
ASSEMBLY INSTRUCTIONS

STEP 7



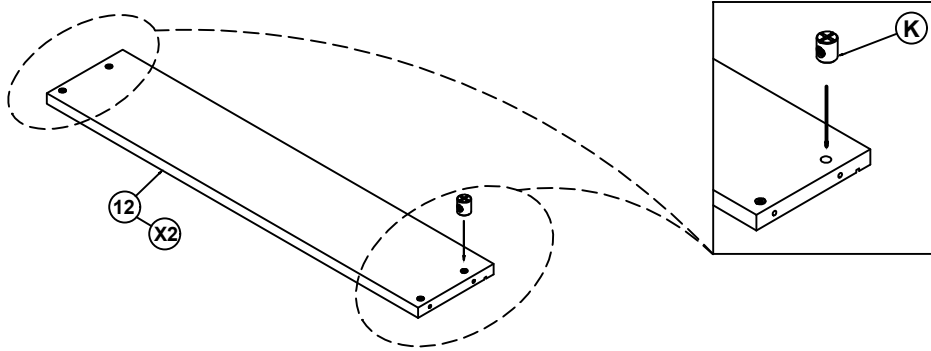
G	Flat Head Screw (m4x20mm-RBW)		16pcs
L	Wheels (m41x25mmx50mm)		4pcs


STEP 8



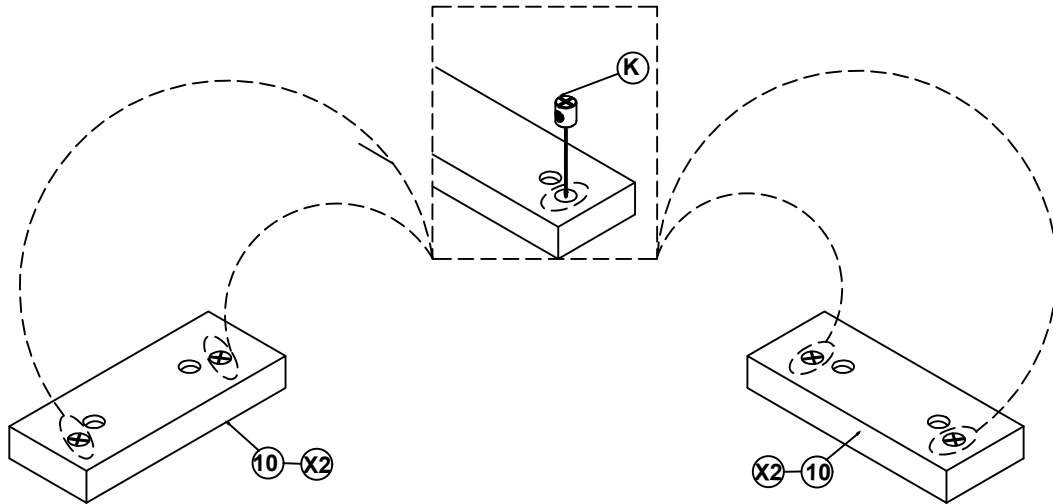
ASSEMBLY INSTRUCTIONS

STEP 9



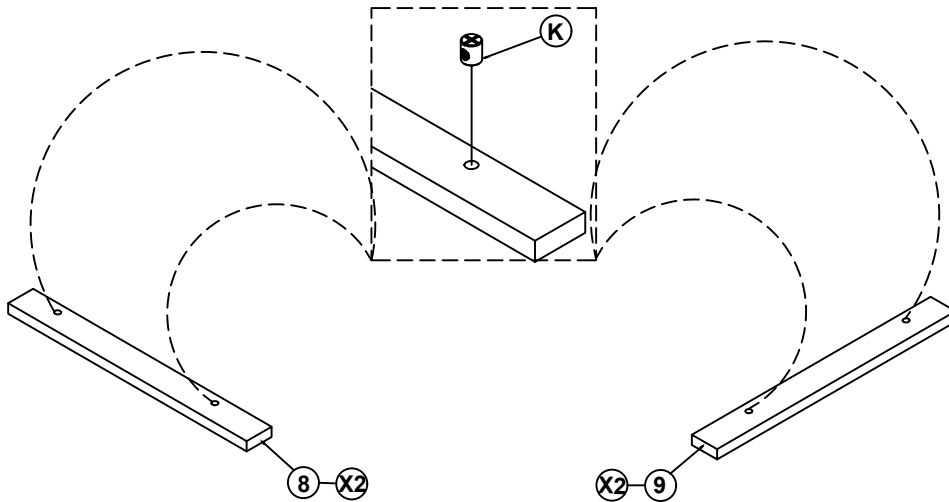
K	Plastic Button (Ø10x10mmx10mm)		8pcs
---	-----------------------------------	---	------


STEP 10



K	Plastic Button (Ø10x10mmx10mm)		8pcs
---	-----------------------------------	---	------

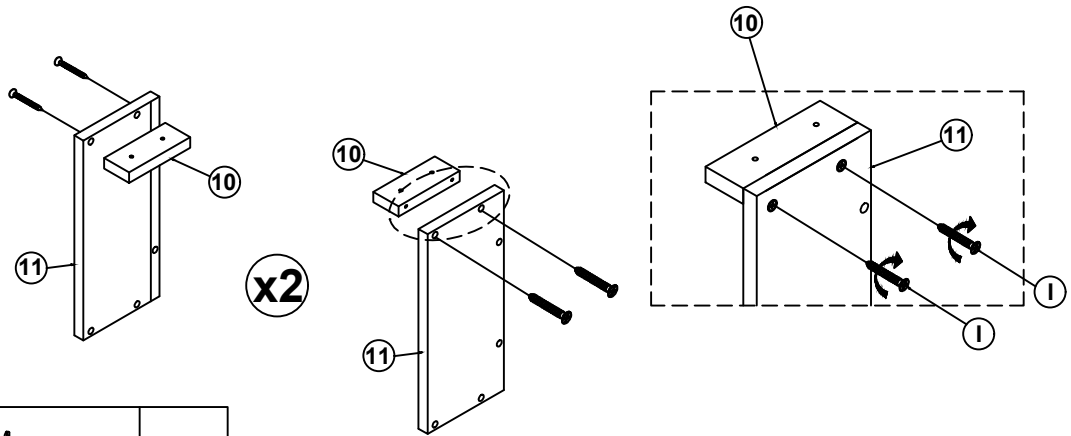
STEP 11

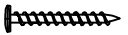


K	Plastic Button (Ø10x10mmx10mm)		8pcs
---	-----------------------------------	---	------

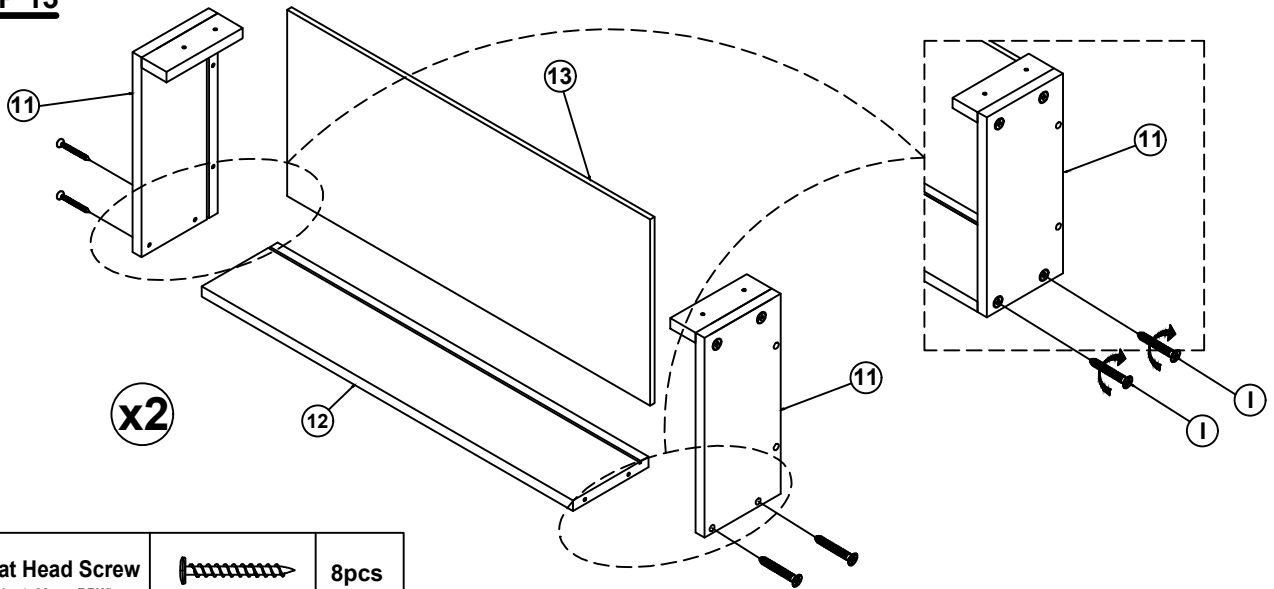
ASSEMBLY INSTRUCTIONS

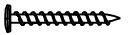
STEP 12



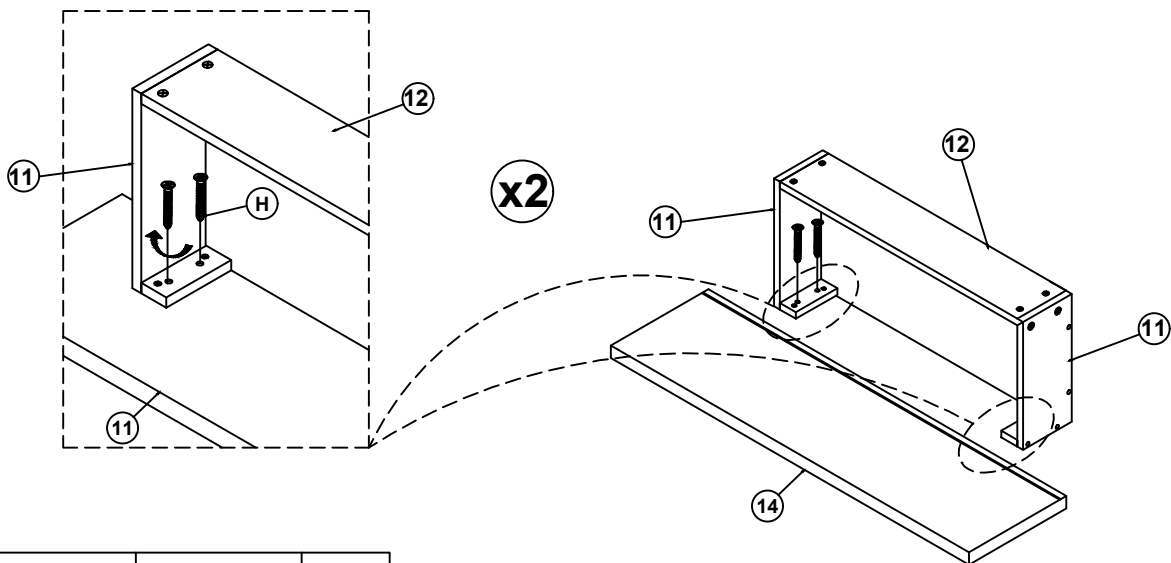
I	Flat Head Screw (m4x38mm-RBW)		8pcs
---	----------------------------------	---	------

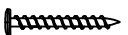
STEP 13



I	Flat Head Screw (m4x38mm-RBW)		8pcs
---	----------------------------------	---	------

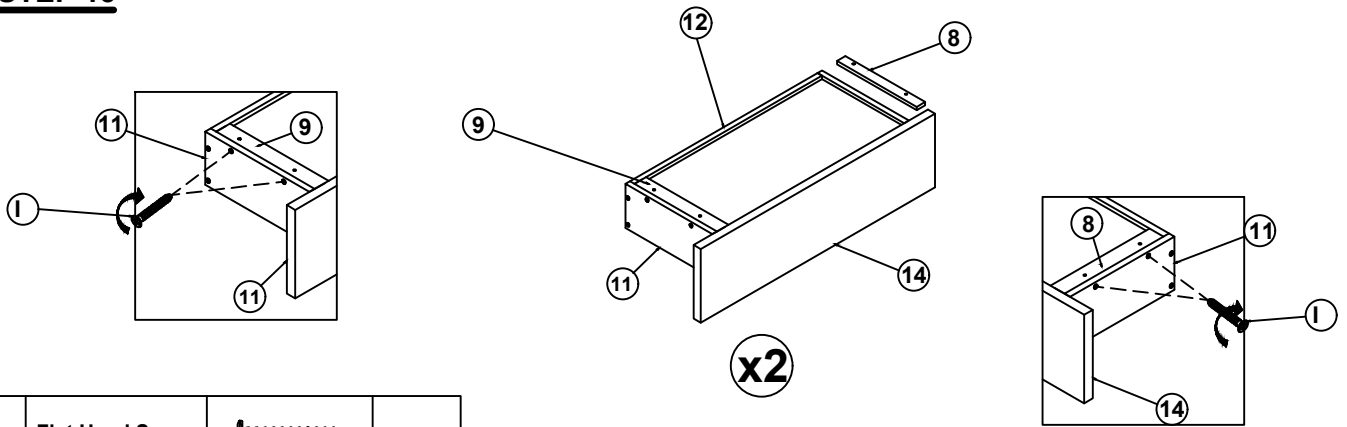
STEP 14

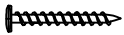


H	Flat Head Screw (m4x30mm-RBW)		8pcs
---	----------------------------------	---	------

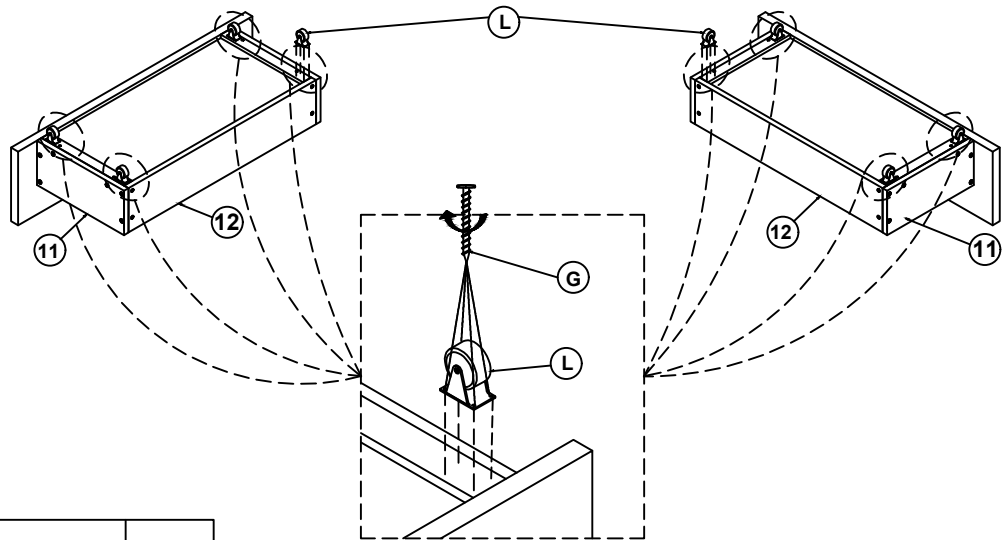
ASSEMBLY INSTRUCTIONS

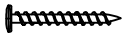
STEP 15



I	Flat Head Screw (m4x38mm-RBW)		8pcs
---	----------------------------------	---	------

STEP 16



G	Flat Head Screw (m4x20mm-RBW)		32pcs
---	----------------------------------	---	-------

STEP 17 COMPLETE

