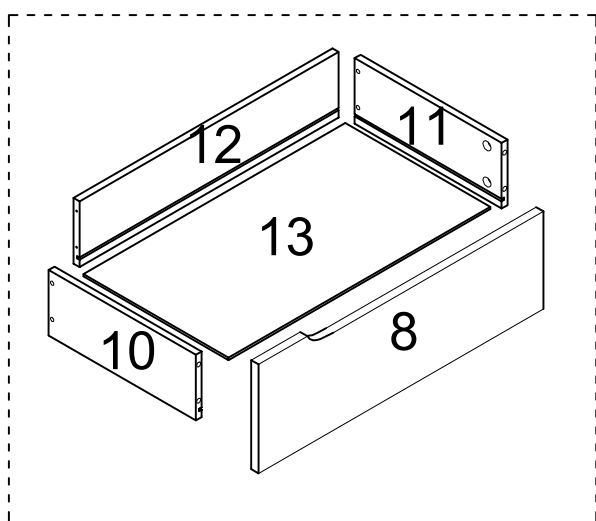
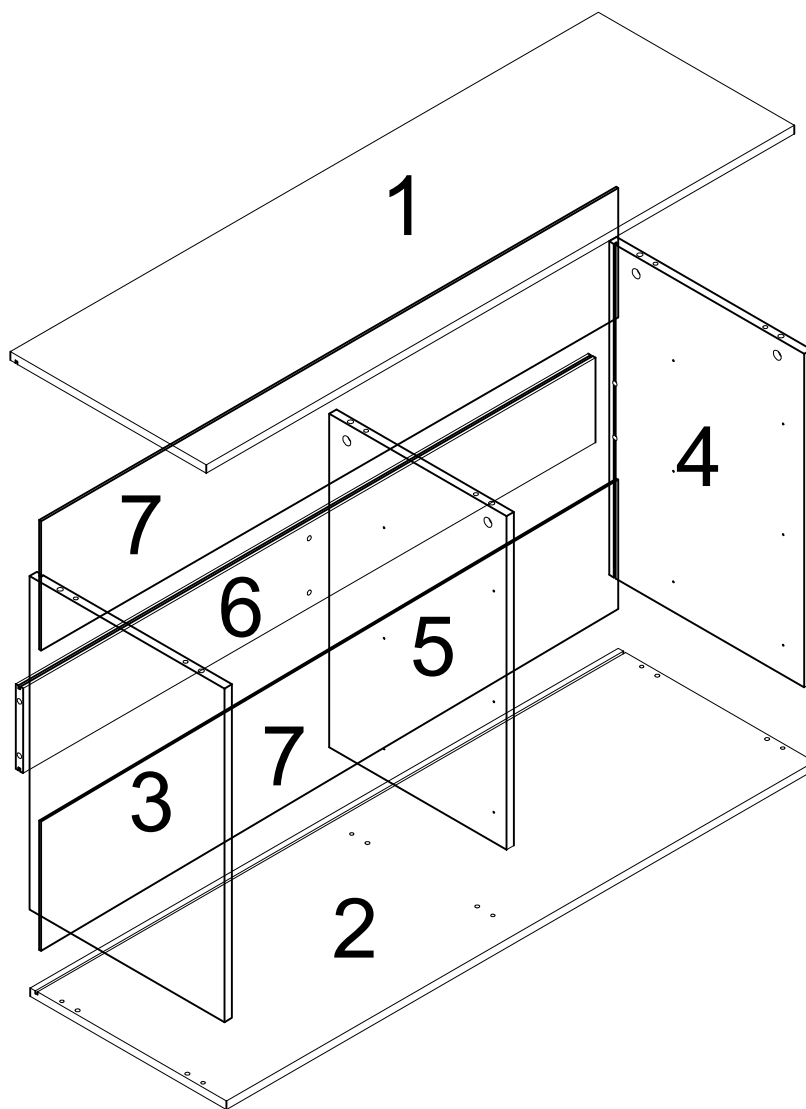
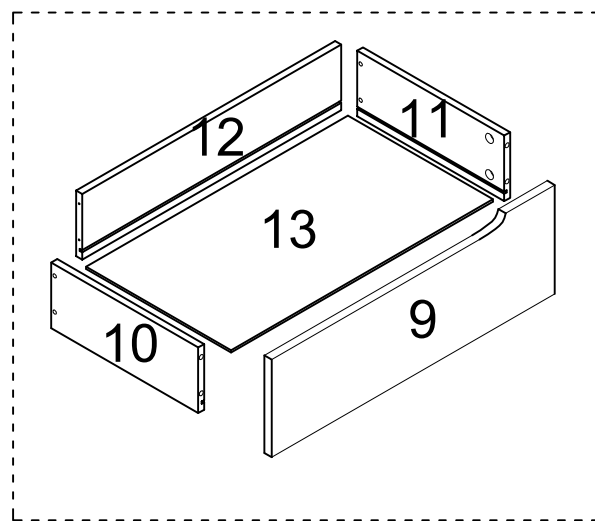


# Boad Identification

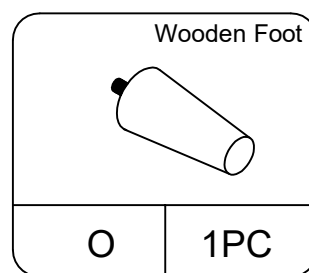
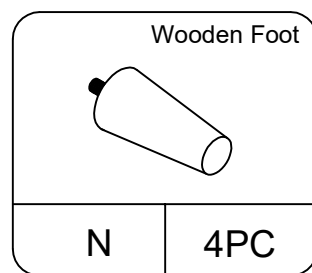
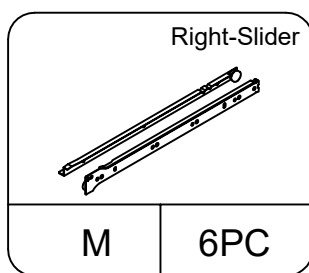
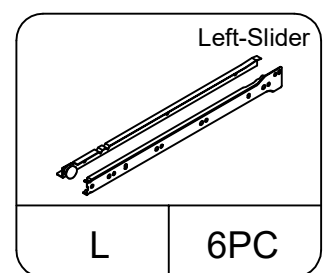
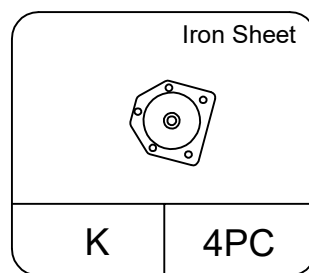
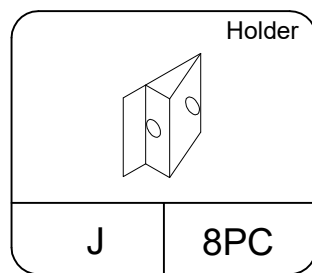
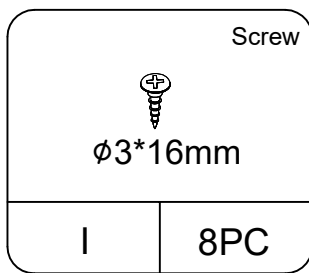
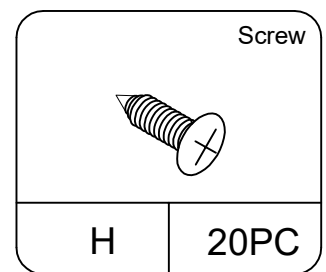
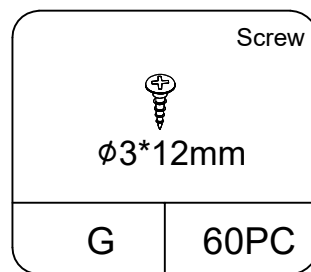
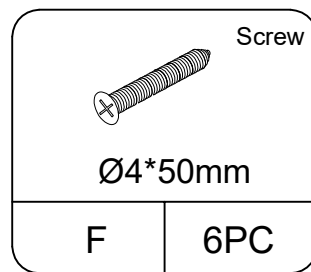
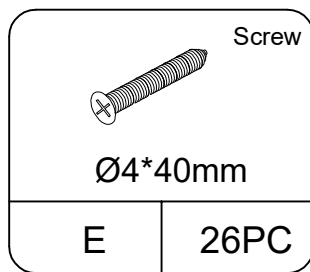
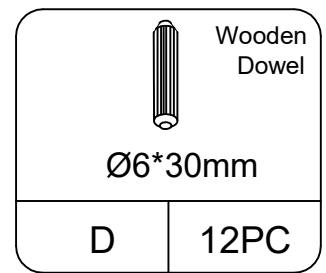
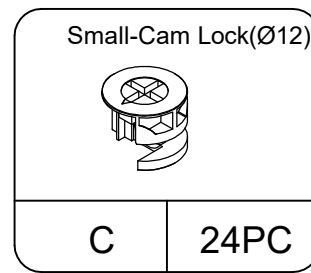
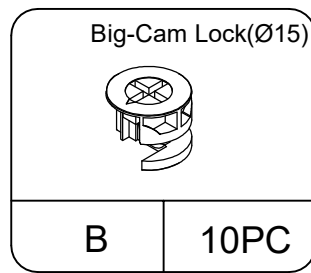
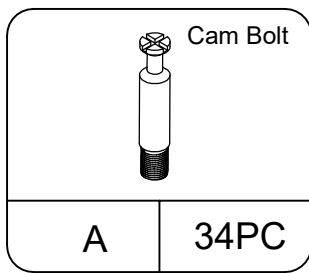


×3

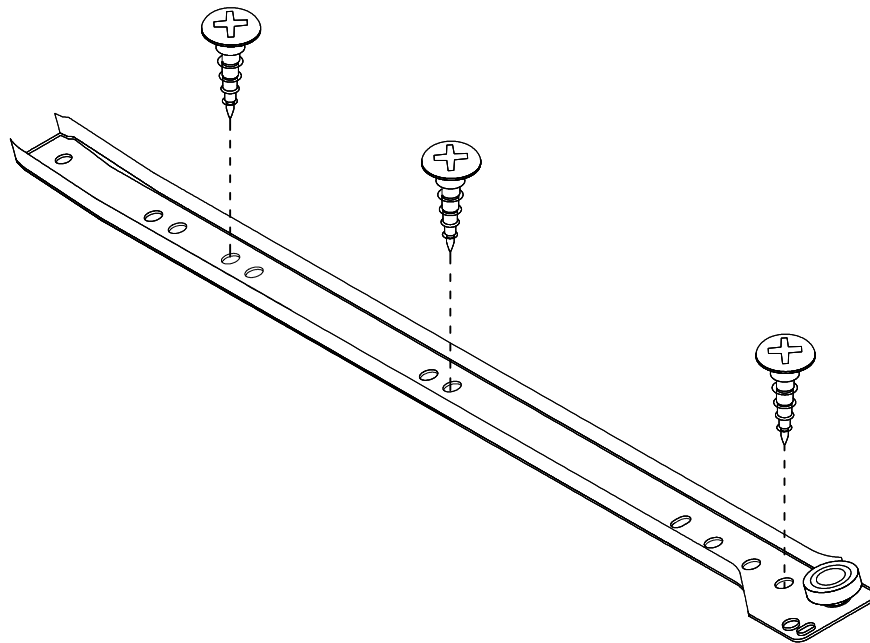
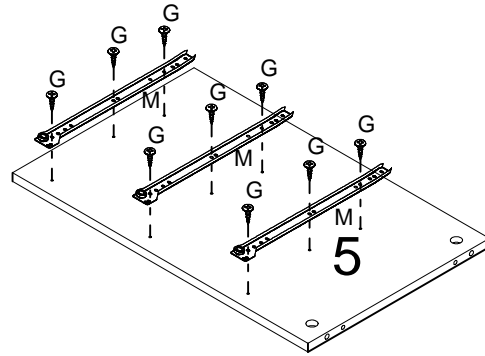
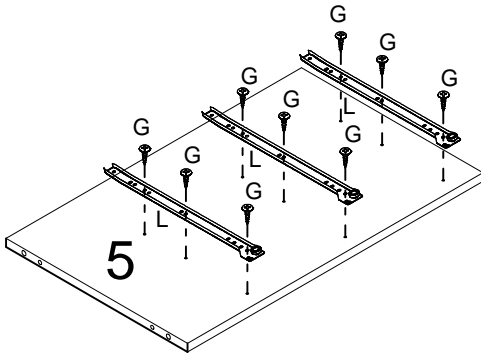
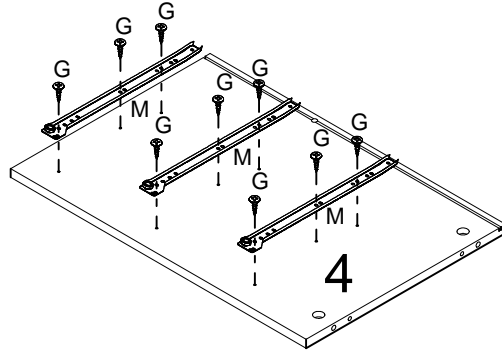
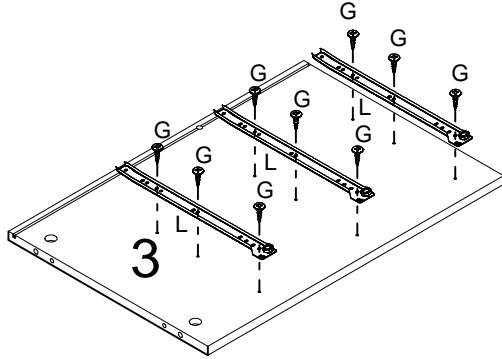
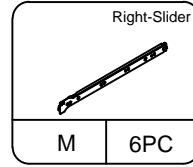
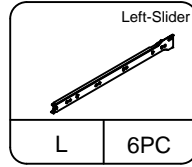
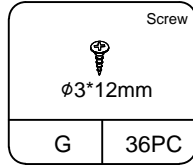


×3

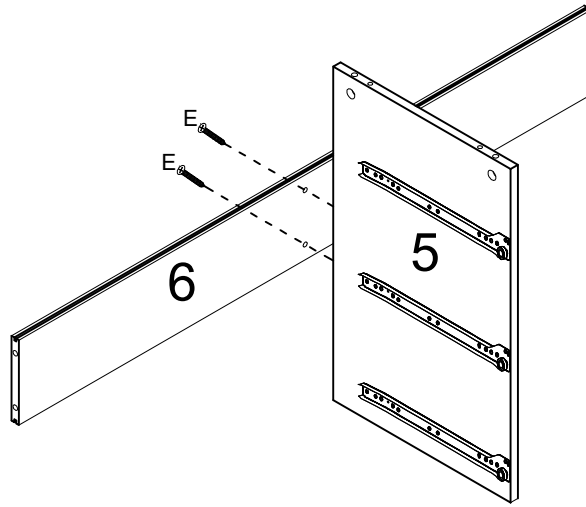
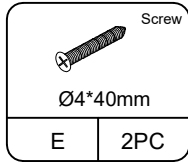
# Hardware List



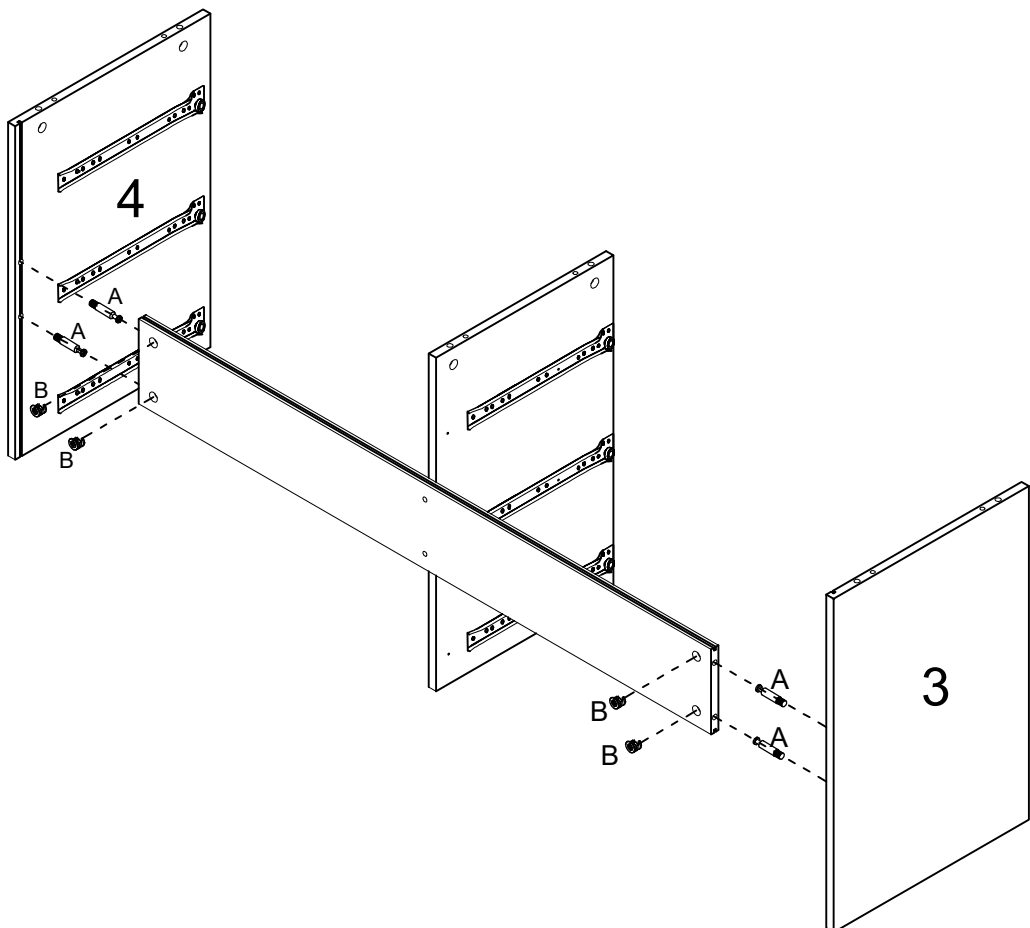
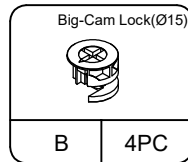
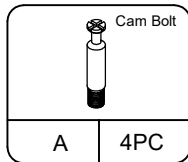
# STEP 1



# STEP 2

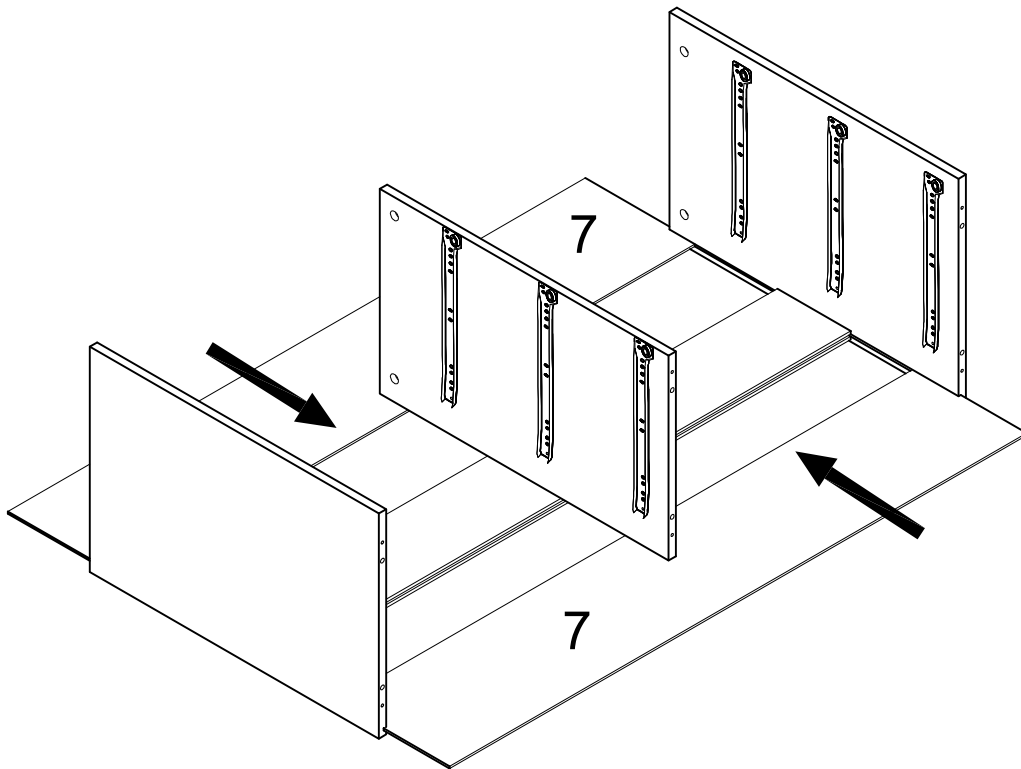


# STEP 3



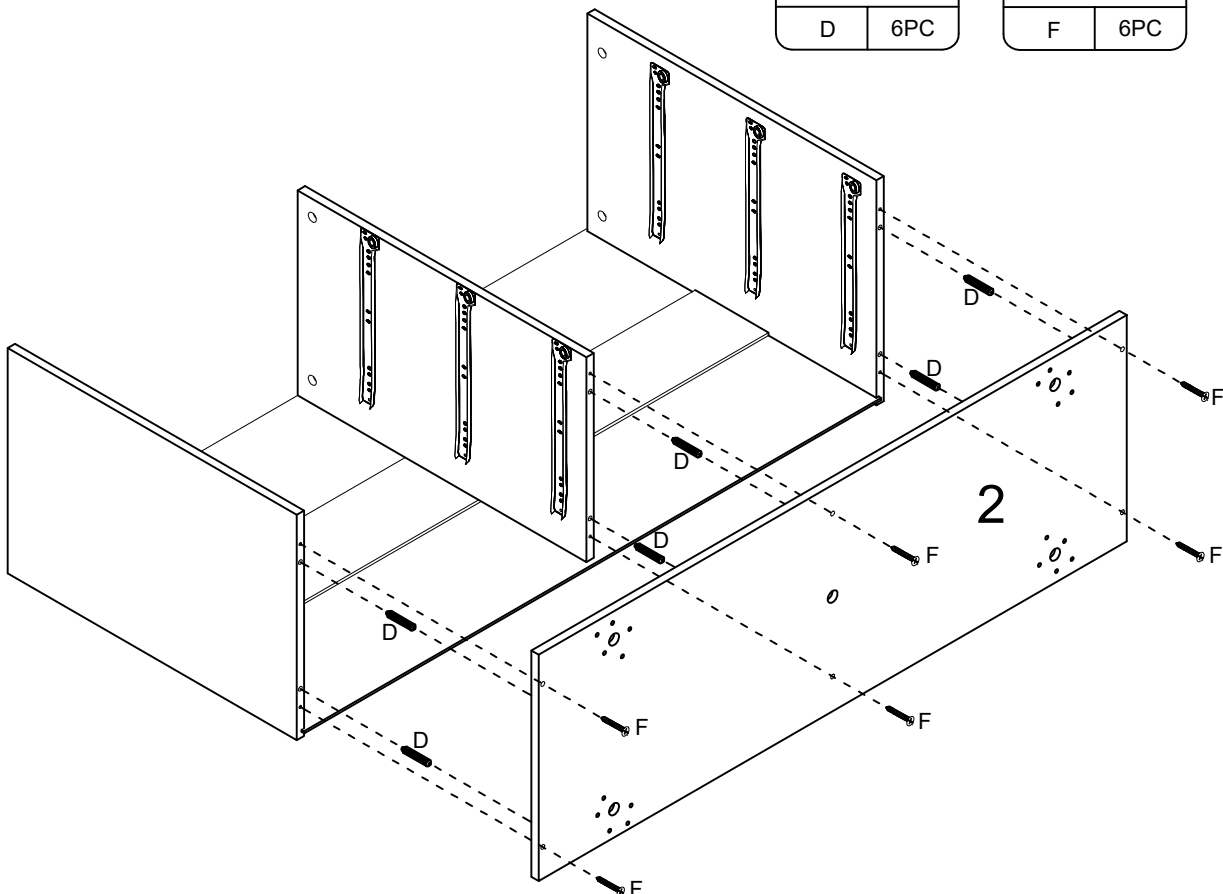
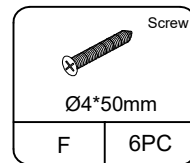
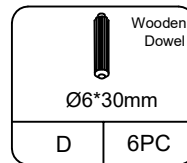
# STEP 4

---



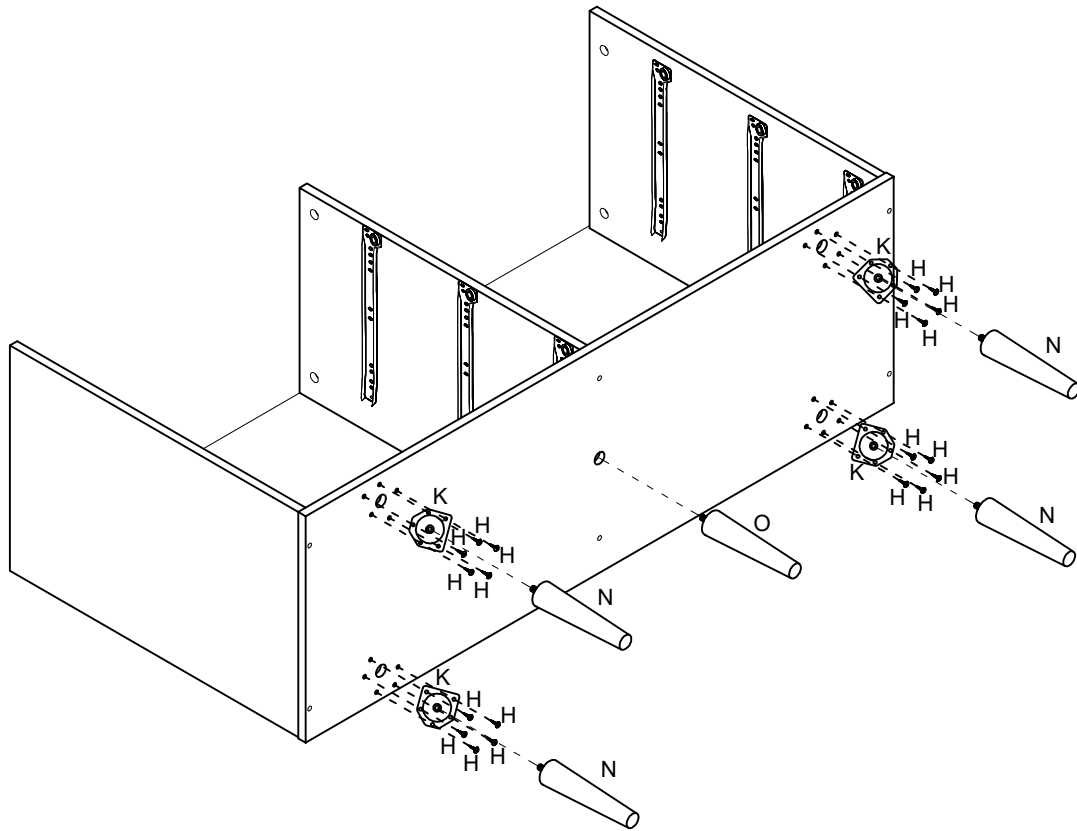
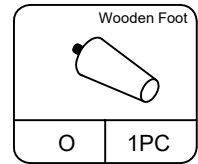
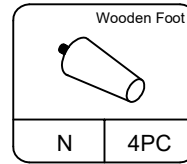
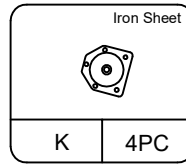
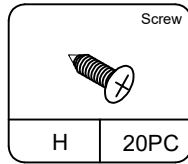
# STEP 5

---

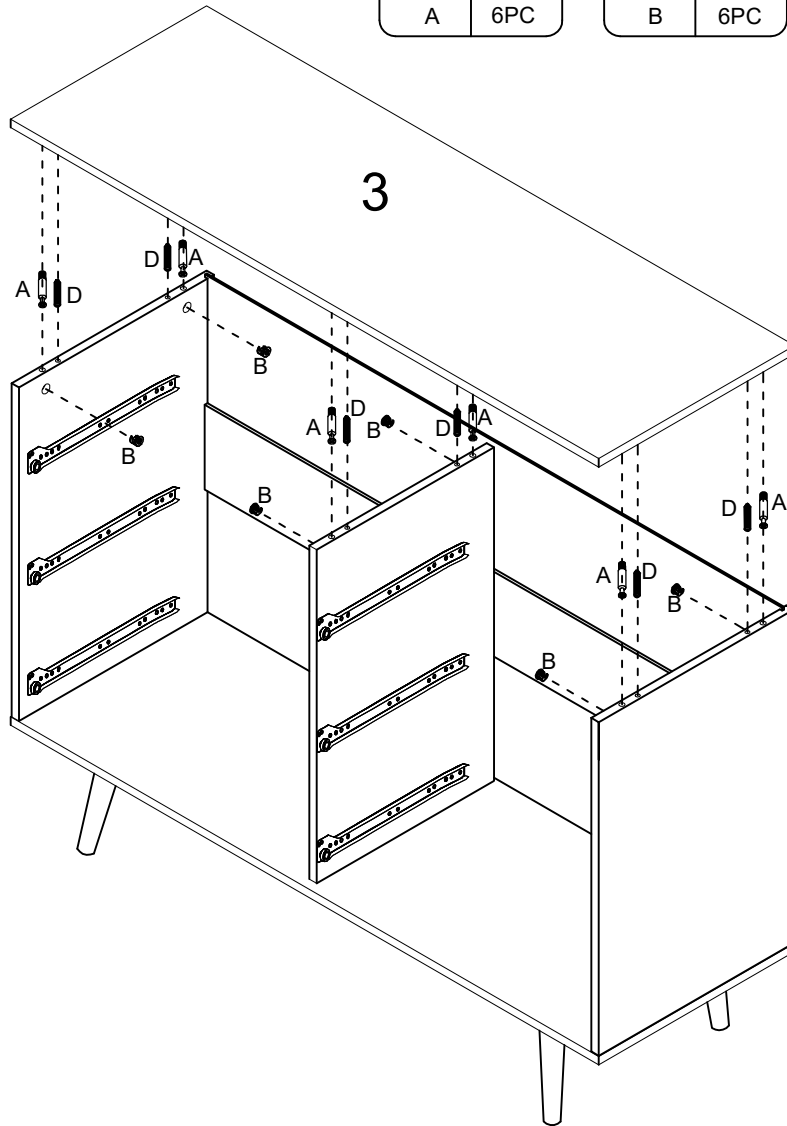
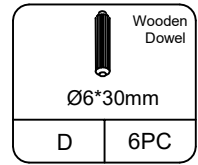
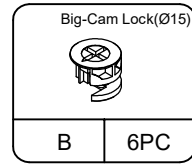
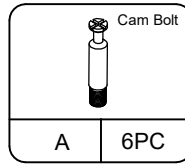


# STEP 6

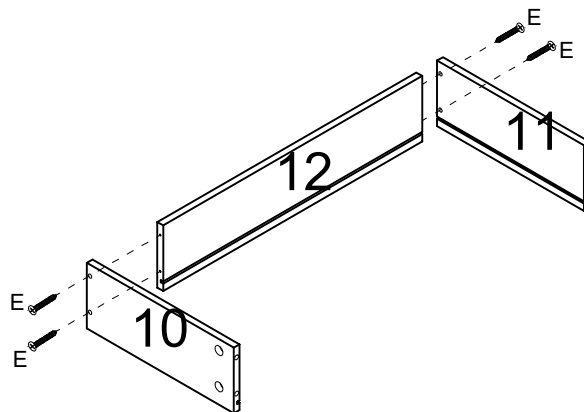
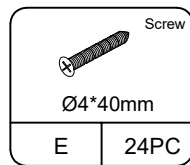
---



# STEP 7



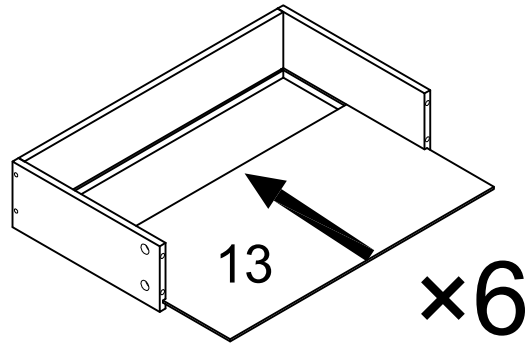
# STEP 8



×6

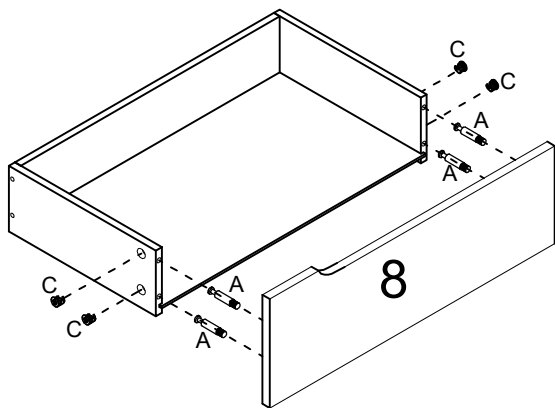
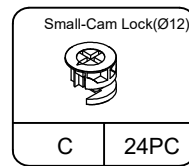
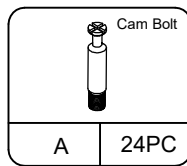
# STEP 9

---

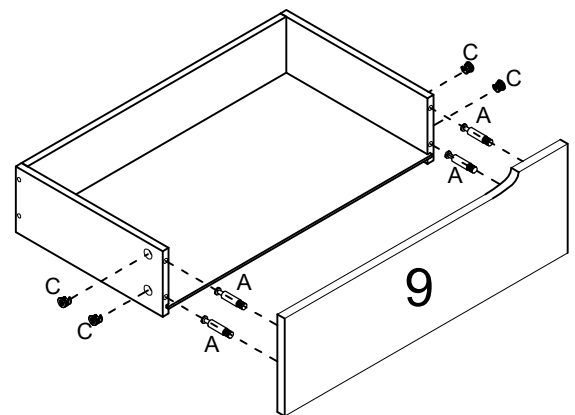


# STEP 10

---



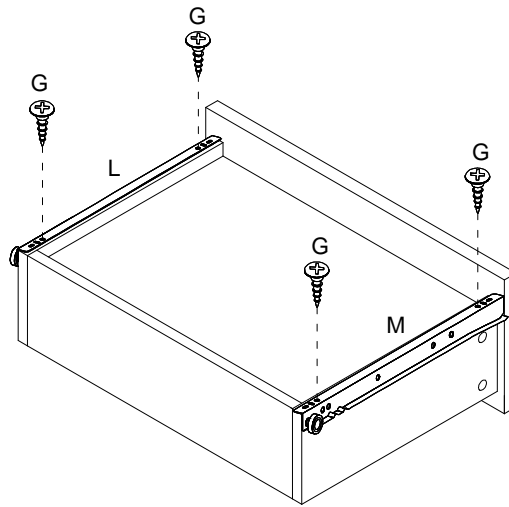
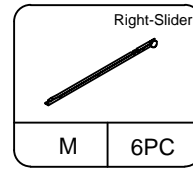
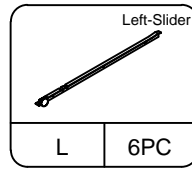
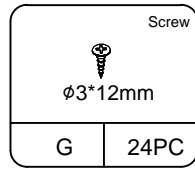
x3



x3

# STEP 11

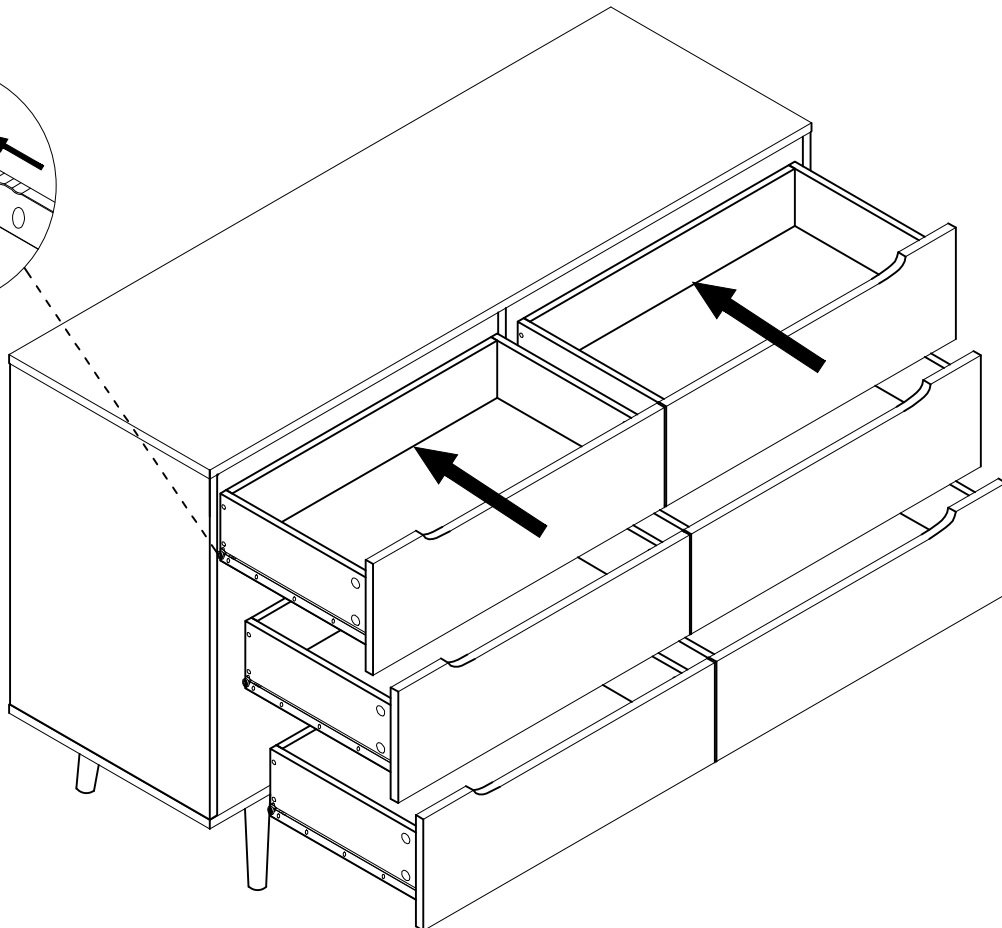
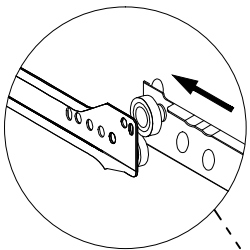
---



**x6**

# STEP 12

---



# STEP 13

