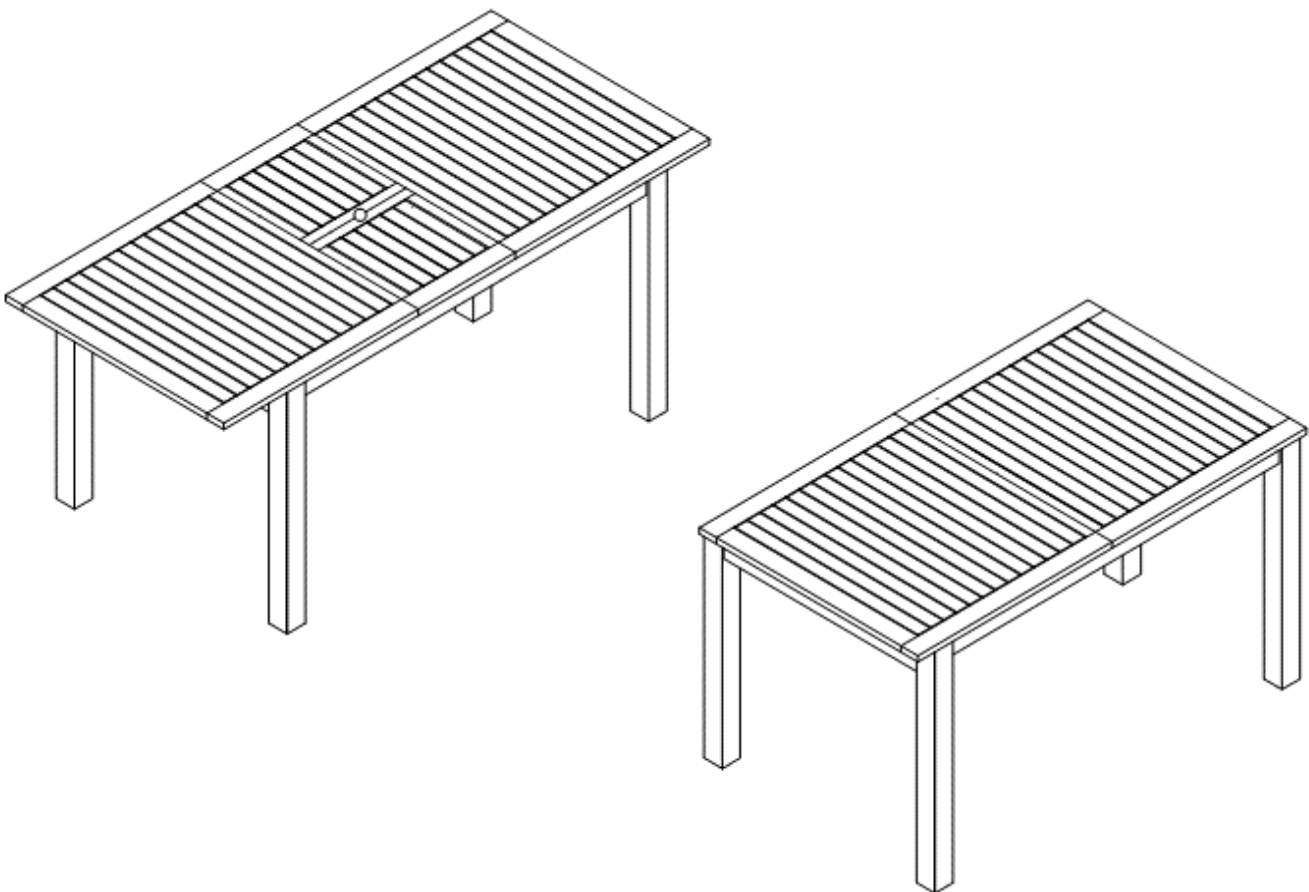


Assembly Instructions

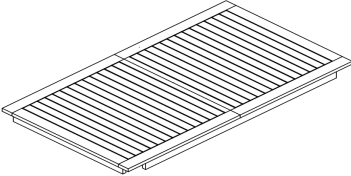

Caution: You must read this before you proceed

Extention Table

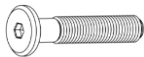




Caution: This Table is NOT a TOY.
Keep your child / children at bay during the assembly process.
For moving the Table and to prevent damage to the Table, two adults are needed to execute this action.

Parts List

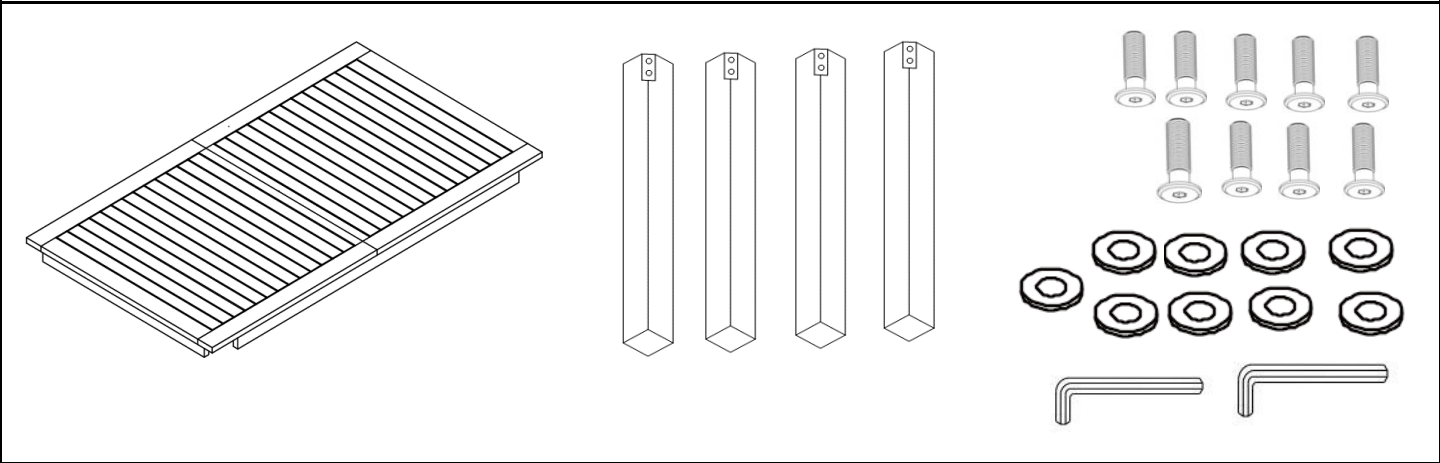
Label	Picture	Description	QTY
A		Table Top	1
B		Leg	4






Hardware

Label	Picture	Description	QTY
①		Bolt (M8x60mm)	9
②		Washer	9
③		Allen Key	2

Assembly Preparation

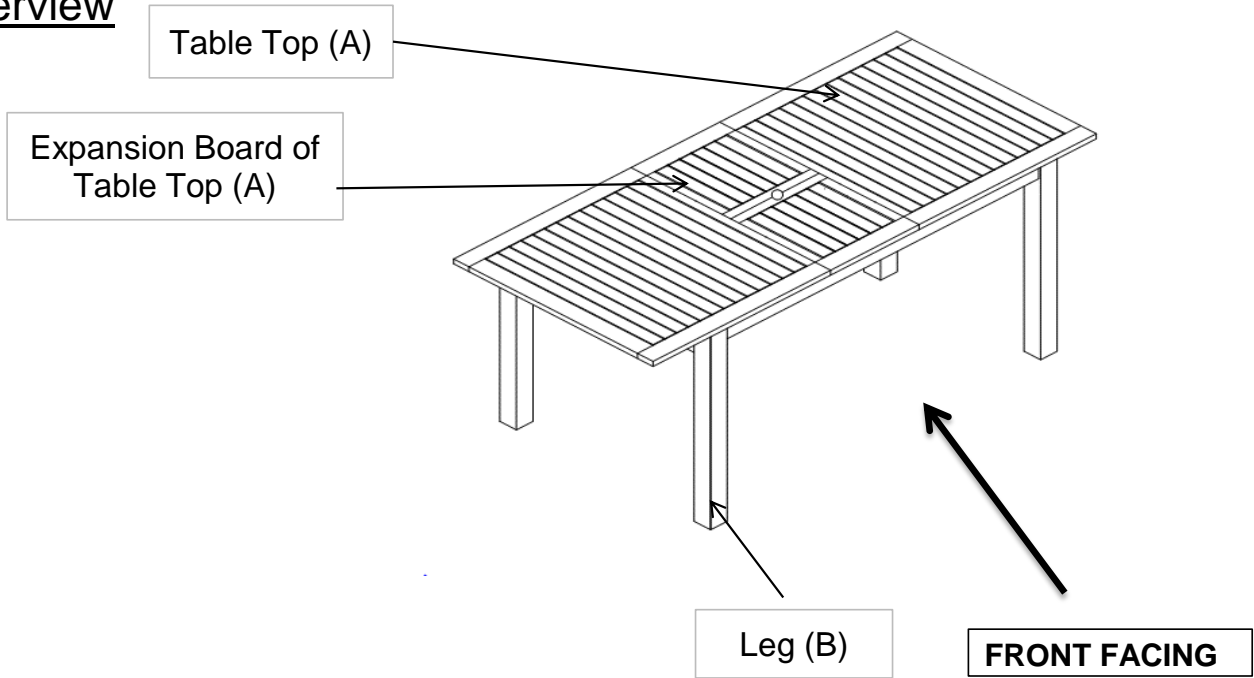
Before Beginning Assembly:



-  • Read instructions, cover to cover-
-  • Have 2 adults on hand for assembly-
-  • Do not assemble on flooring or carpet-
-  • Assemble on a clean non-marring surface (packing foam)-
-  • Save all packaging until finished-

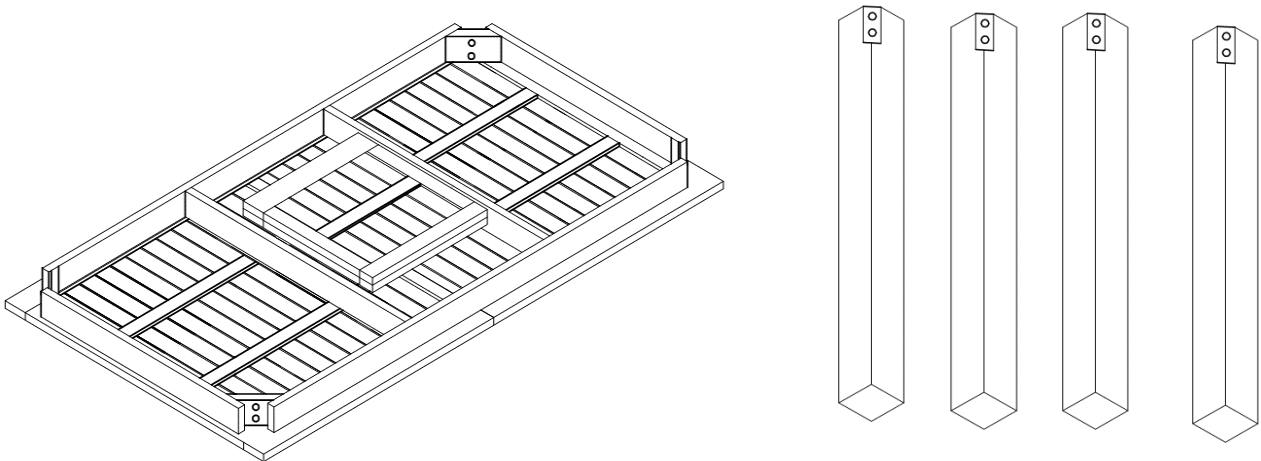
Assembly Steps

Overview



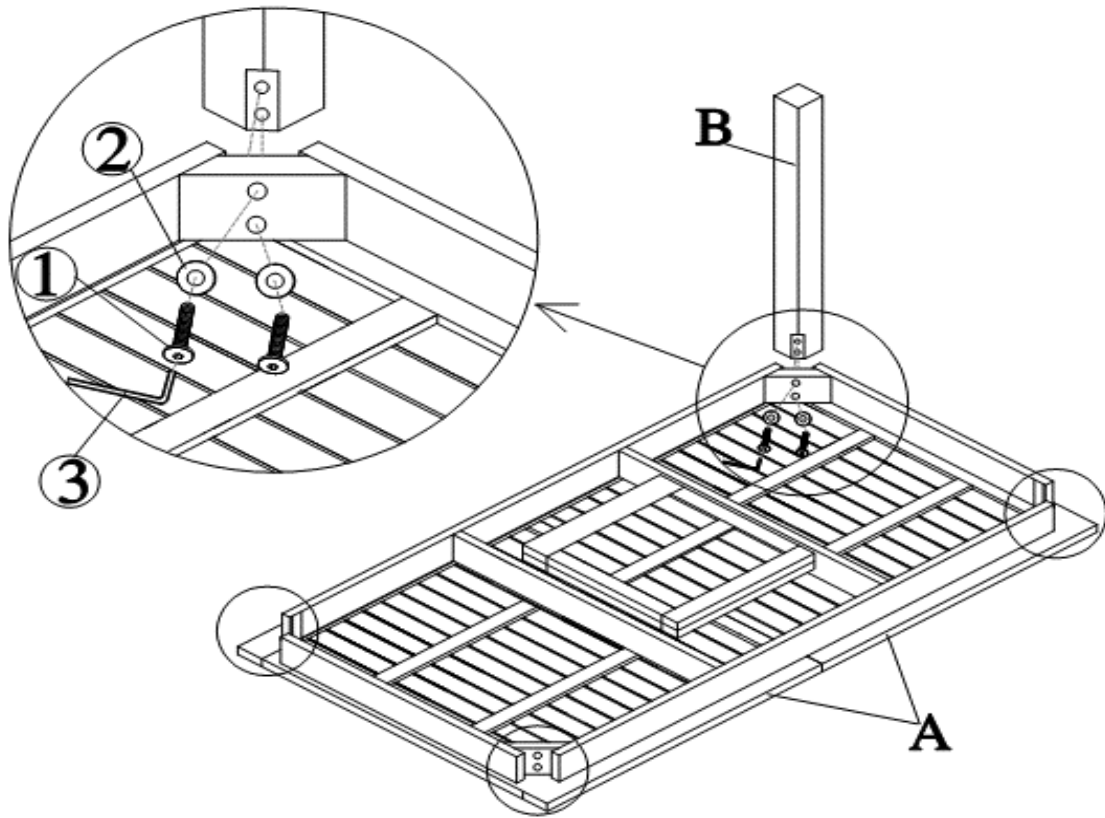
This Table has multiple parts and may require up to 30 minutes to assemble. To give you an overview of the Table parts, the above picture is to help you put the various parts into perspective. Please read through the instructions below to familiarise yourself with the parts and steps before assembly.

Step 1



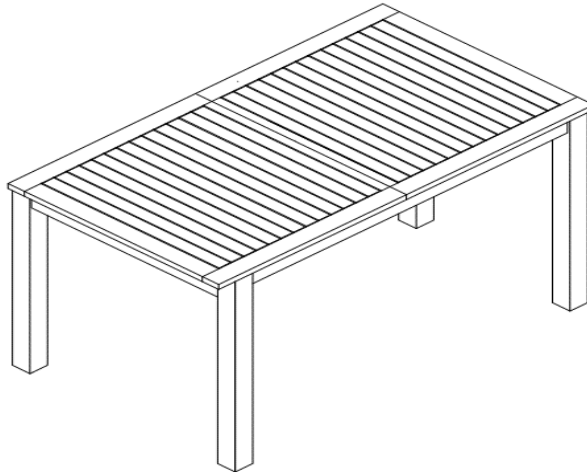
Unpack and place all parts on a clean, non-marring surface.

Step 2



Place Table Top(A) facedown, onto a clean, non-marring surface.
Attach Leg(B) to Table Top(A) using Bolts(①), and Washers(②) with Allen Key(③).
Do not fully tighten the Bolt.
Repeat the same process with the remaining three Legs(B).

Step 3

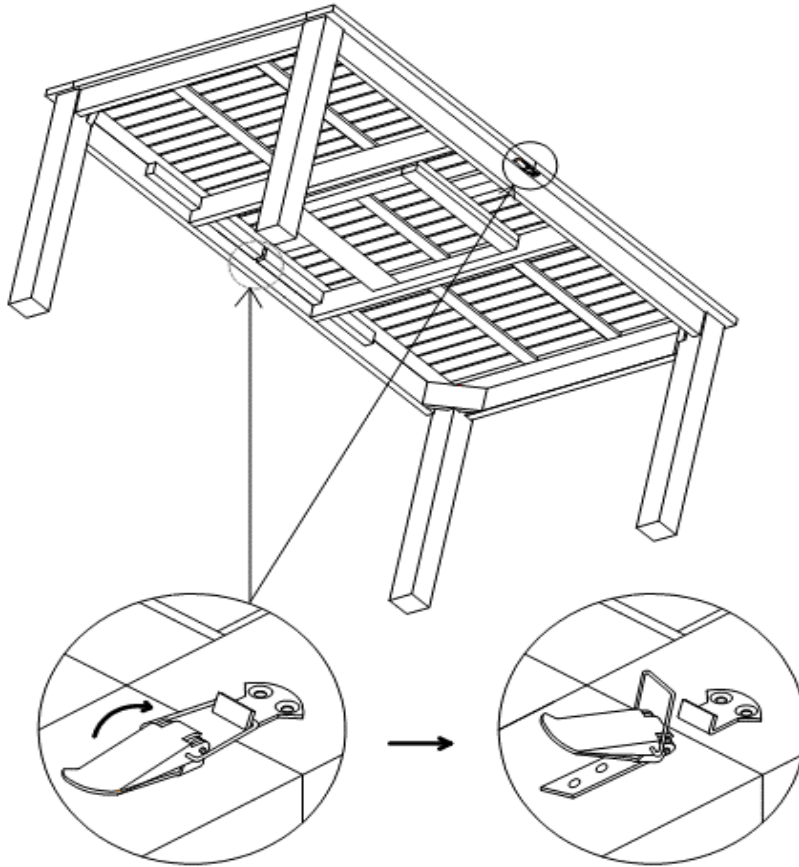


Stand the Table up, with assistance from your adult partner.
Exert pressure floorwards, onto the Table with both your hands.
This pressure will help the Legs and Table Top reach full alignment status.
Check for wobbles on a LEVEL surface.
If no wobbles are found proceed to tighten the Bolts in a sequential manner, until evenly secured.
When tightening the Bolts tighten sequentially.
Do not tighten any Bolt fully and then move on towards the next one.
If there are still wobbles, loosen the Bolts and execute the same above process.
If the Table is not Stable it could lead to damage to the product.
Your Table is ready for use.
This Table can only be used on a flat, level surface.

Extention Steps:

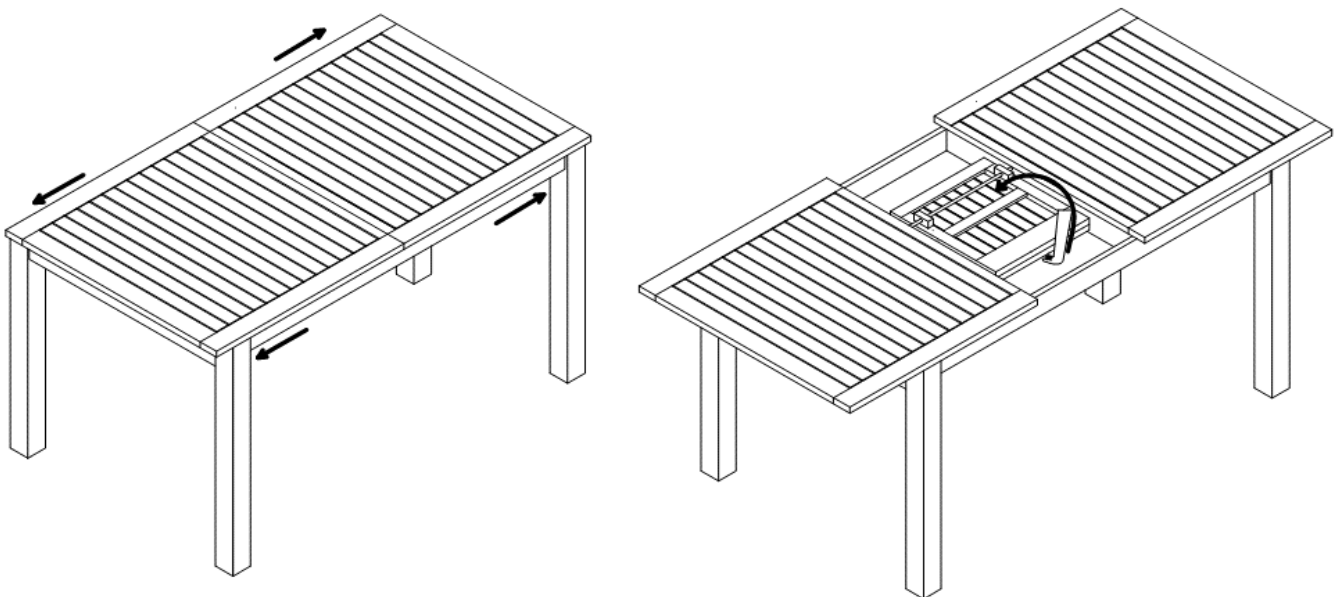
To Extend the Table:

Step 1



Unlock the Metal Fasteners.

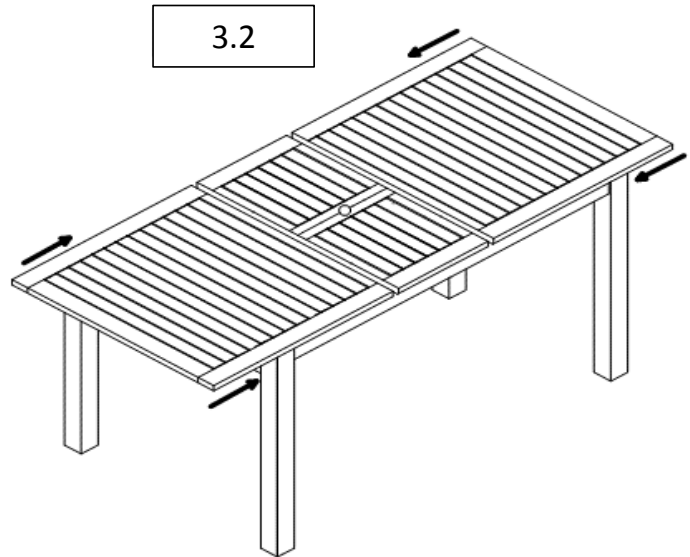
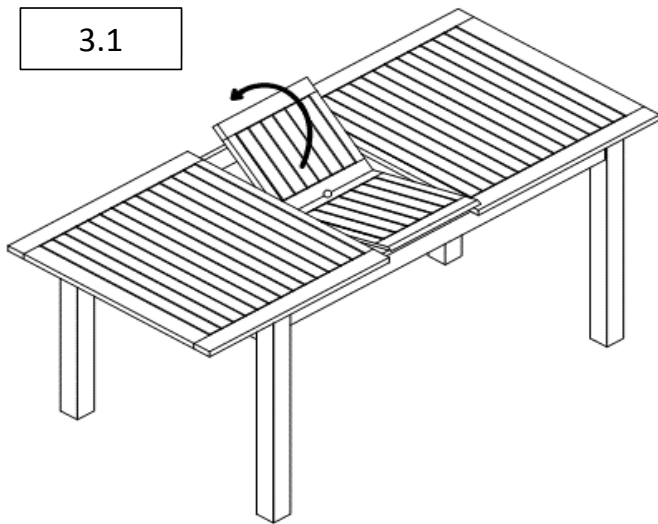
Step 2



With an adult partner, gently pull the Table Tops(A) outwards as indicated by the arrows above.

Caution: Do not Lean on or apply pressure to the Table Top when it is pulled open. This could cause damage to the product.

Step 3



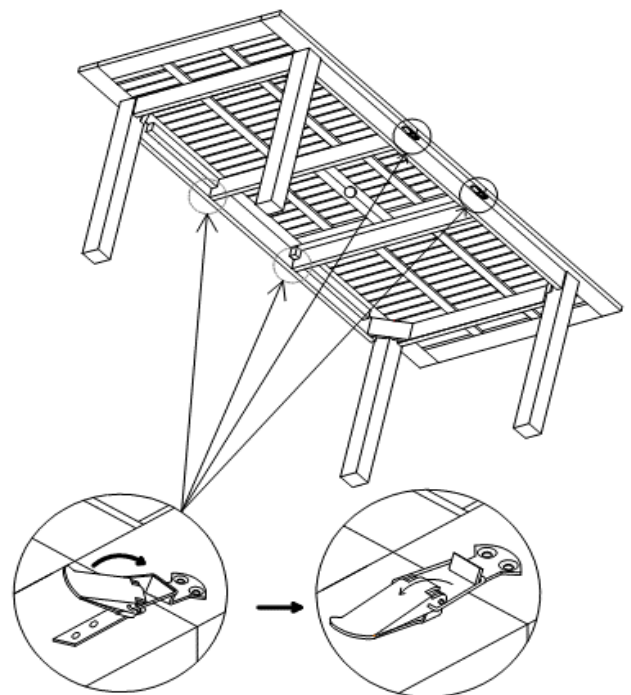
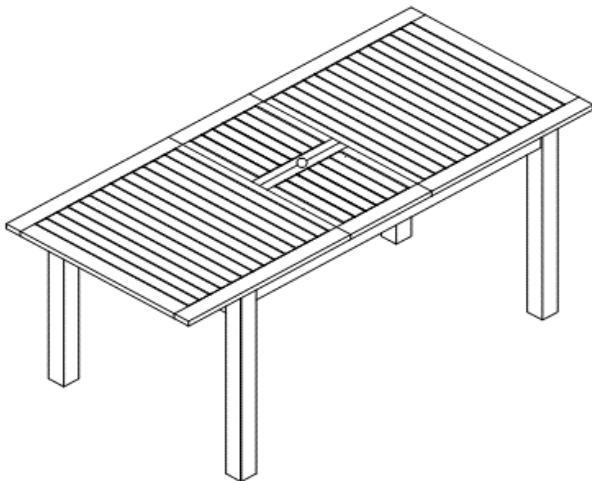
3.1) Unfold the Expansion Board of Table Top(A), onto the Center of the Table as shown above.

3.2) Gently push the Table Top(A) inwards until the Top Table(A) fits into the Expansion Board of Table Top(A).

Caution: Keep hands away from the Table Top(A) and Expansion Board of Table Top(A) when pushing the Table Top to avoid pinching hazards.

If you can not push the Table Top(A) inwards, just lightly shake the Table Top(A).

Step 4



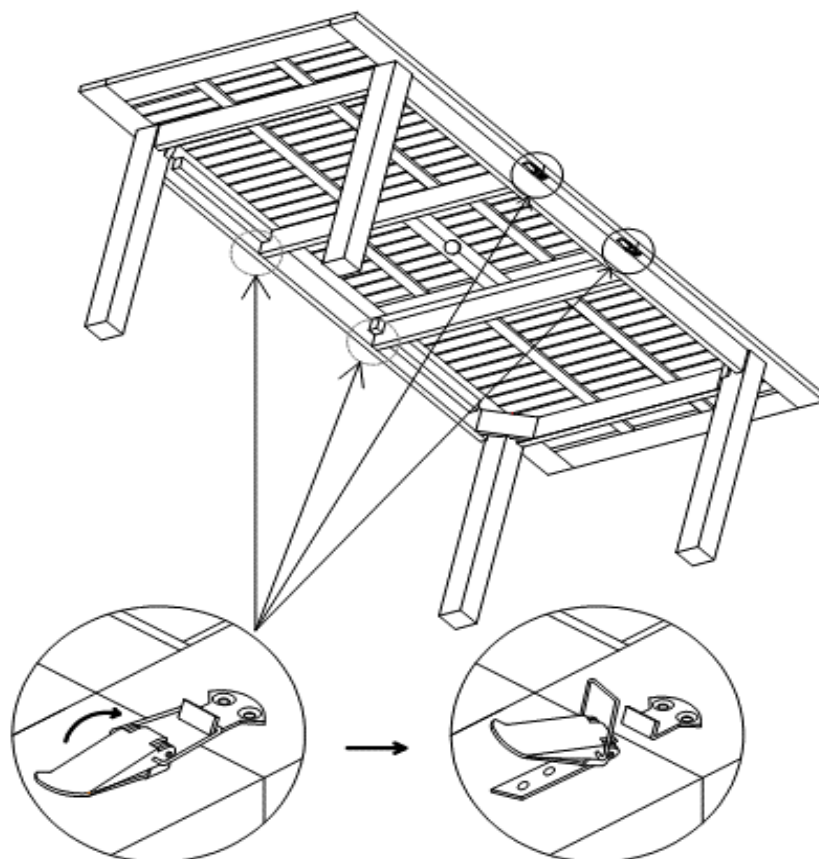
Lock the Metal Fasteners under the Table Top to lock the Expansion Board of Table Top(A) into place as shown in the above picture.

Your Table is extended and is now ready for use.

This Table can only be used on a flat, level surface.

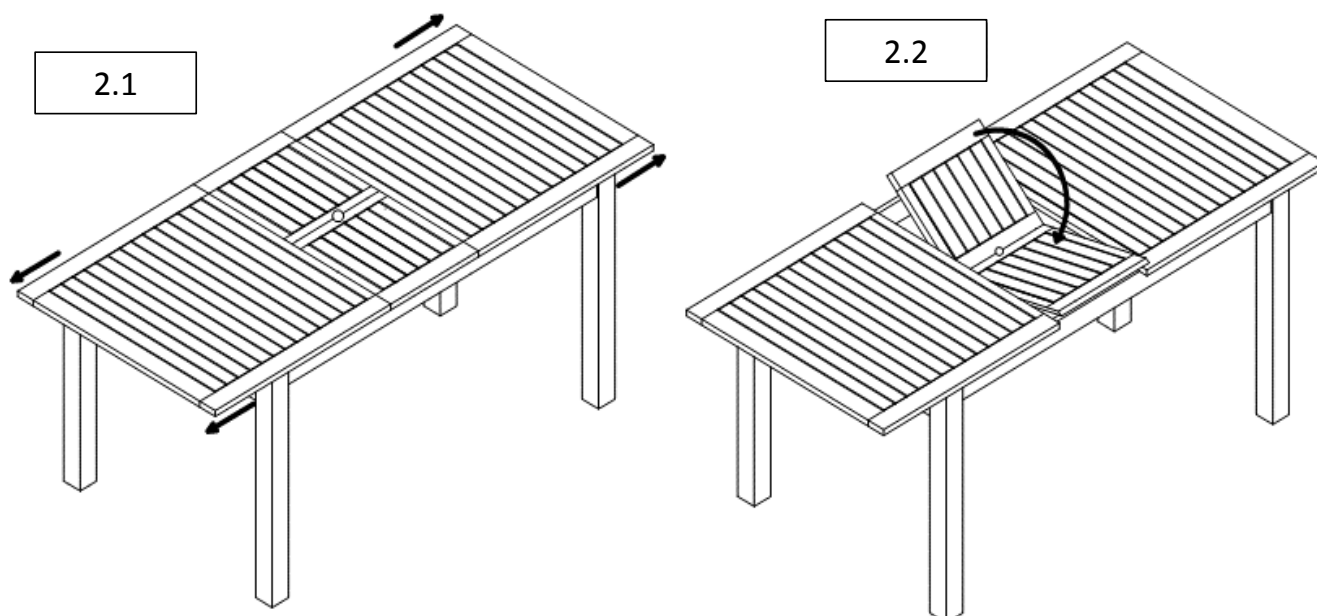
To Retract the Table:

Step 1



Unlock the Metal Fasteners.

Step 2

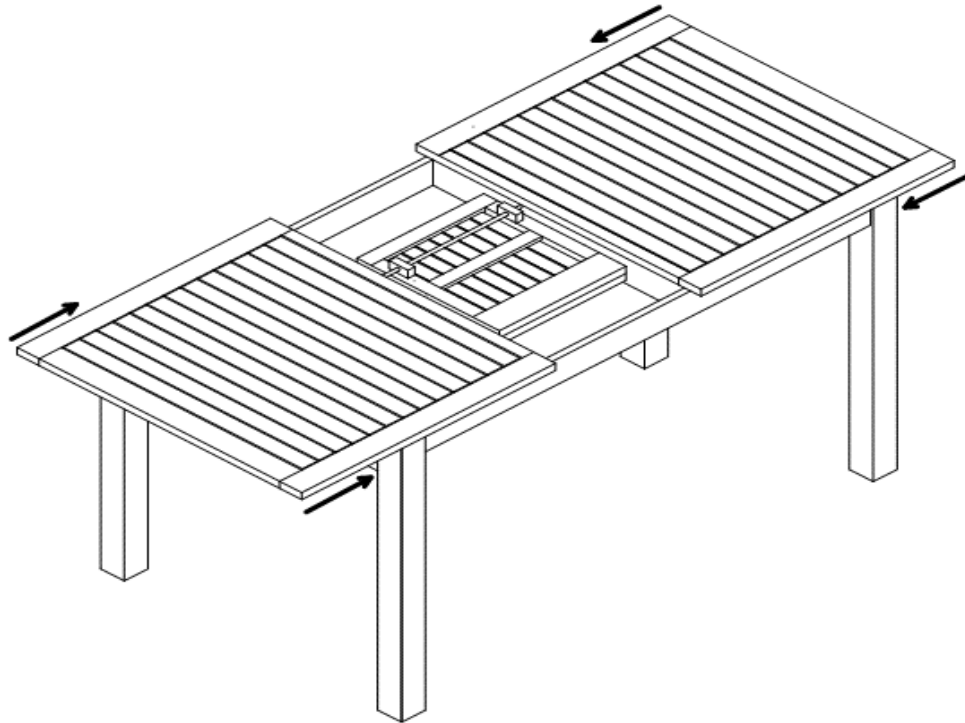


2.1) With assistance from an adult, gently pull the Top Table(A) outwards as indicated by the arrows above.

2.2) Fold the Expansion Board of Table Top, back inside of the Table Top as shown above.

Caution: Do not Lean on or apply pressure to the Table Top when it is pulled open. This could cause damage to the product.

Step 3

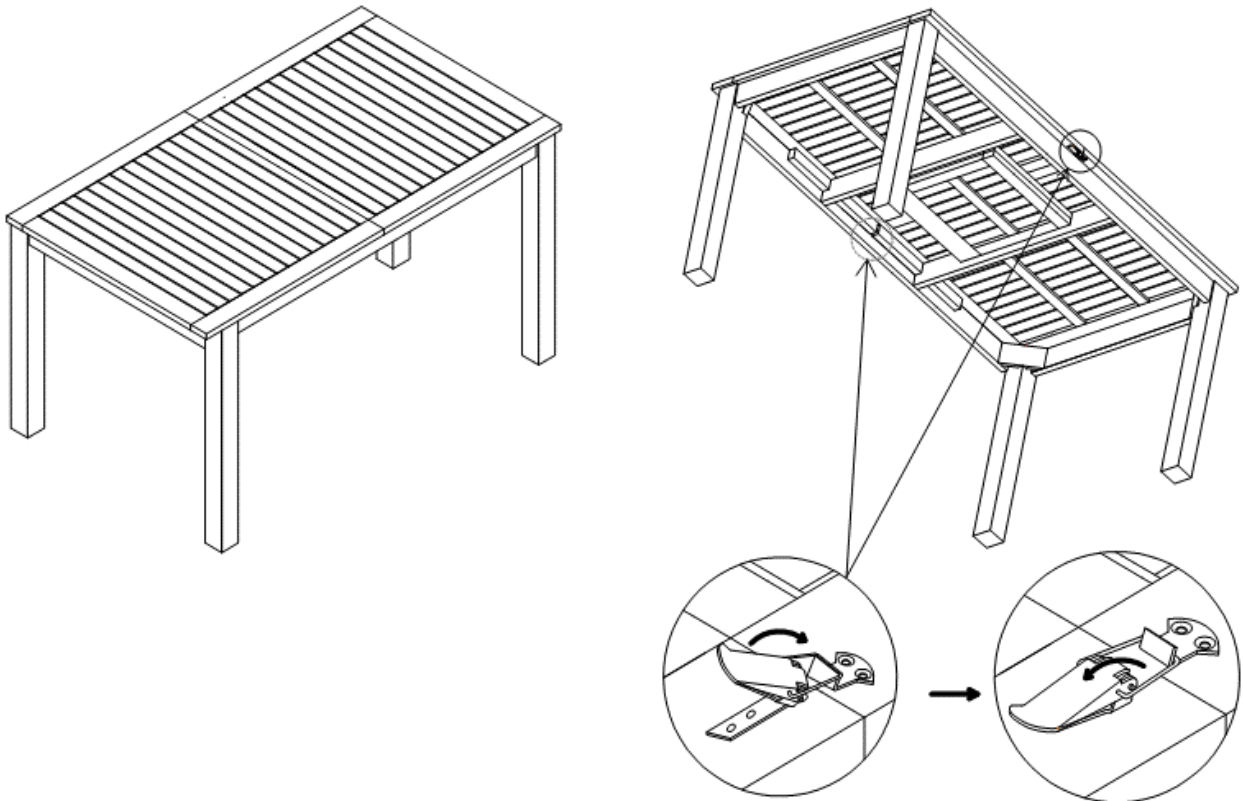


Push the Table Top(A) inwards until both wings of the Table Top(A) align.

Caution: Keep hands away from the Table Top(A) and Expansion Board of Table Top(A) when pushing the Table Top to avoid pinching hazards.

If you can not push the Table Top(A) inwards, just lightly shake the Table Top(A).



















Step 4



Lock the Metal Fasteners under the Table Top(A) into place as shown in the above picture. Your Table is retracted and is now ready for use.

This Table can only be used on a flat, level surface.

Care & Maintenance

-   ● Do not put hot items directly on furniture surface
 -   ● Do not clean furniture with harsh cleansers or polish.
 -   ● To obtain the longest lifespan of your outdoor products, minimizing exposure to direct sunlight is recommended.
 -   ● Children should not climb or jump on the furniture.
 -   ● Do not write on furniture without a padded barrier to protect the
 -   ● To obtain the longest lifespan of your outdoor products, avoid extended and lengthy exposure to rain, snow, and direct sunshine. Whenever possible cover the product and /or place under patio or awnings.
 -   ● Not for commercial use. For residential use only .
 -   ● Stains may be removed with mild soap solution and damp cloth.
-
-   ● Dust and pick-up spills using a clean, non-colored, lint-free cloth .

Questions & Answers about Proposition 65

• What is Proposition 65?

Proposition 65 requires businesses to provide warnings to Californians about significant exposures to chemicals that cause cancer, birth defects or other reproductive harm. These chemicals can be in the products that Californians purchase, in their homes or workplaces, or that are released into the environment. By requiring that this information be provided, Proposition 65 enables Californians to make informed decisions about their exposures to these chemicals.

Proposition 65 also prohibits California businesses from knowingly discharging significant amounts of listed chemicals into sources of drinking water.

Proposition 65 requires California to publish a list of chemicals known to cause cancer, birth defects or other reproductive harm. This list, which must be updated at least once a year, has grown to include approximately 900 chemicals since it was first published in 1987.

• What types of chemicals are on the Proposition 65 list?

The list contains a wide range of naturally occurring and synthetic chemicals that include additives or ingredients in pesticides, common household products, food, drugs, dyes, or solvents. Listed chemicals may also be used in manufacturing and construction, or they may be byproducts of chemical processes, such as motor vehicle exhaust.

• What does a warning mean?

If a warning is placed on a product label or posted or distributed at a workplace, a business, or in rental housing, the business issuing the warning is aware or believes that it is exposing individuals to one or more listed chemicals.

By law, a warning must be given for listed chemicals unless the exposure is low enough to pose no significant risk of cancer or is significantly below levels observed to cause birth defects or other reproductive harm.

• Where can I get more information on Proposition 65?

If you have specific questions on the administration or implementation of Proposition 65, you can contact OEHHA's Proposition 65 program at P65.Questions@oehha.ca.gov, or by phone at (916) 445-6900.