

User Manual

Model: JY-1009

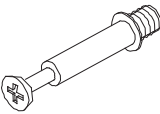

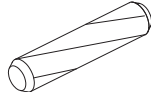
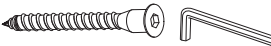


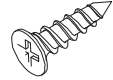

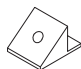


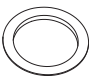
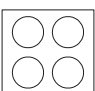
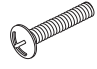

INTRODUCTION

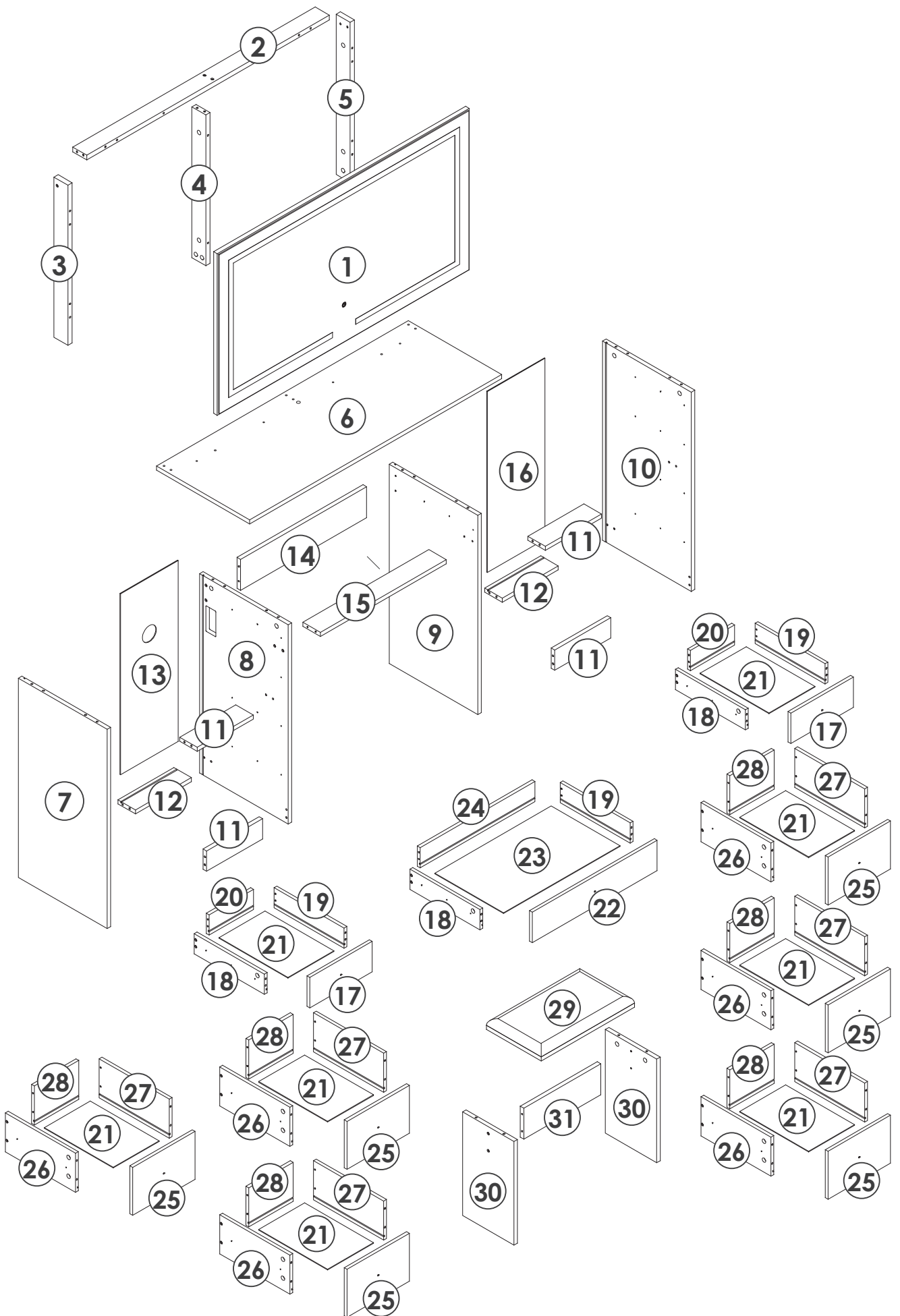
Thank you very much for choosing our Lighted Makeup Vanity Set. Please read the instruction carefully before assembly and keep it for future reference. If you need further assistance on assembly, please contact our customer service through email.

TIPS

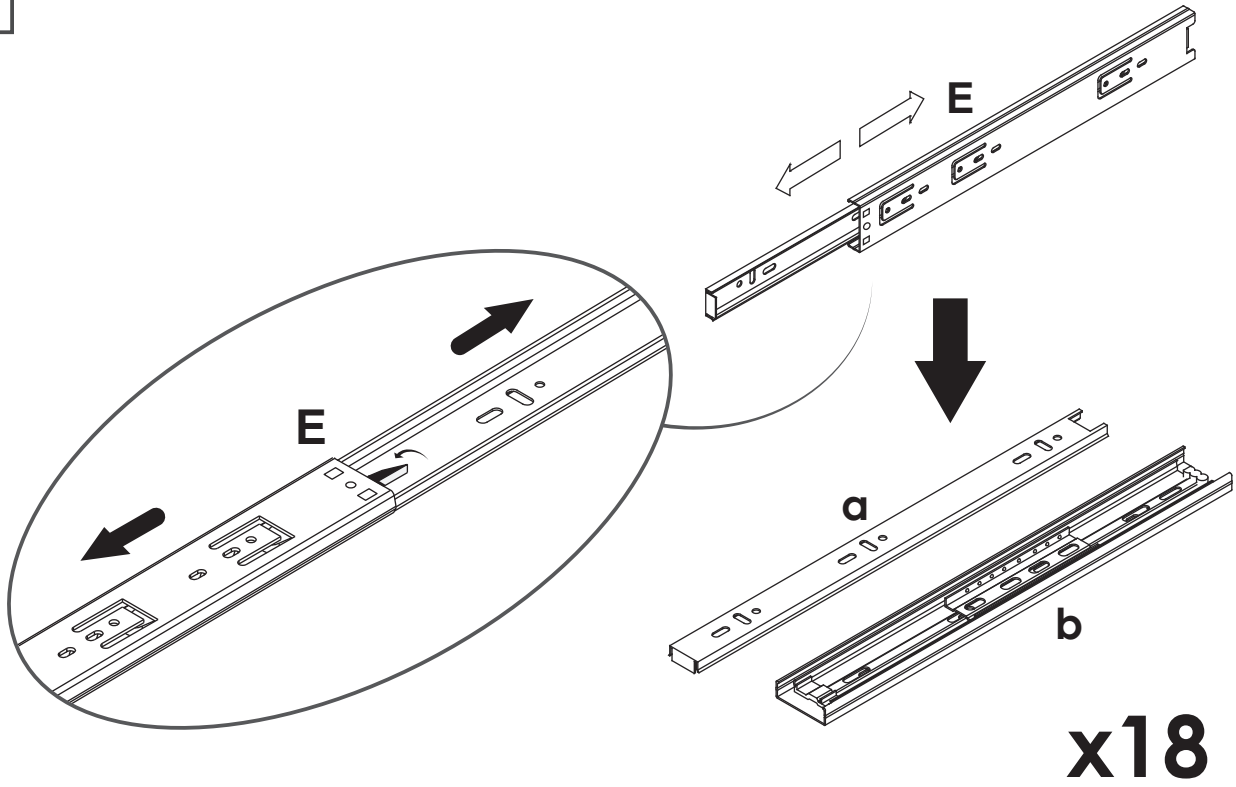
1. When installing the product, use a soft underlay (such as carpet or cardboard) to avoid scratching or damaging the surface of the product.
2. Don't tighten screws completely at first, just in case parts were assembled wrong and need disassemble. Tighten screws at last when all parts are put together.
3. The structure of this product can not meet the requirements of the placement of heavy items and children climbing.

DASDFADFA

| | | | | |
|--|--|---|--|--|
| A  x70 | B  x70 | C 6*30mm  x34 | D 5*40mm  x58 x1 | E=Eb+Ea  x18 |
| F  x12 | G 3.5*12mm  x110 | H  x1 | I  x8 | J  x8 |
| K  x1 | L  x1 | M  x44 | N  x9 | O  x9 |



1



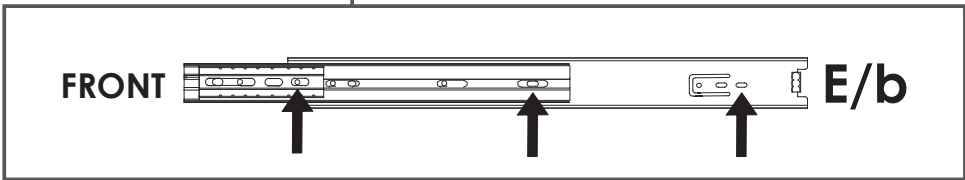
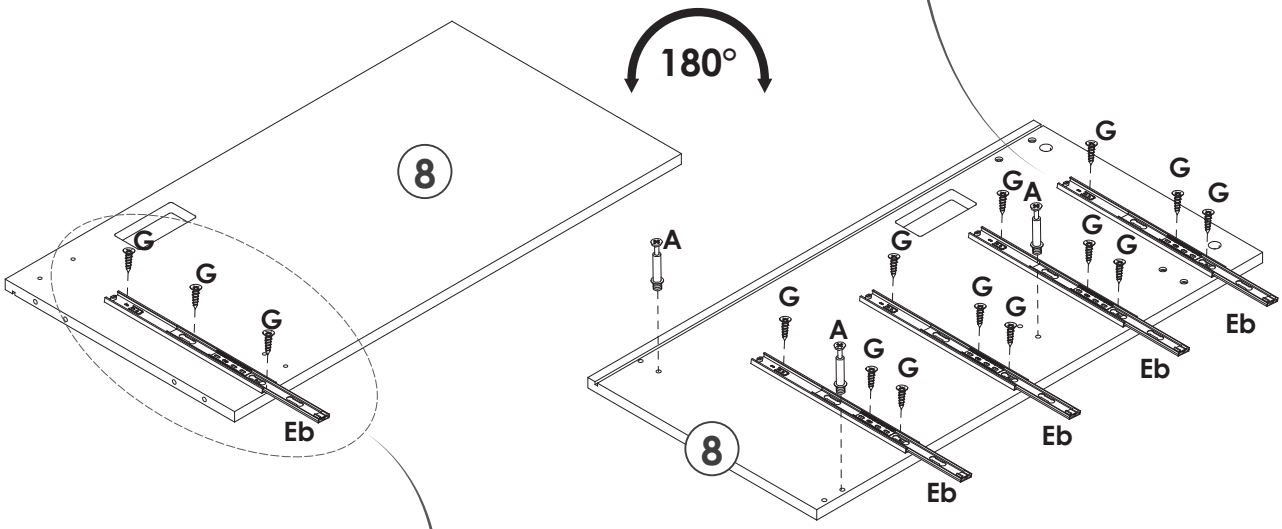
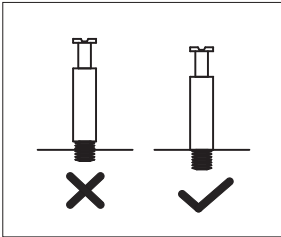
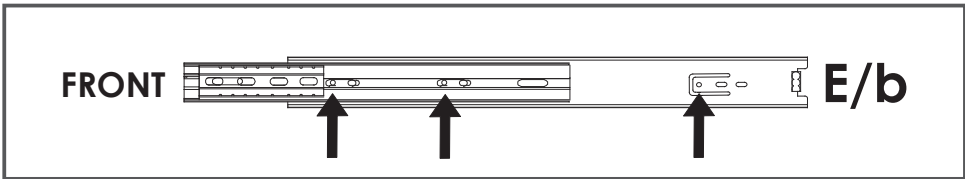
2

YOU WILL NEED

G x15

Eb x5

A x3



3

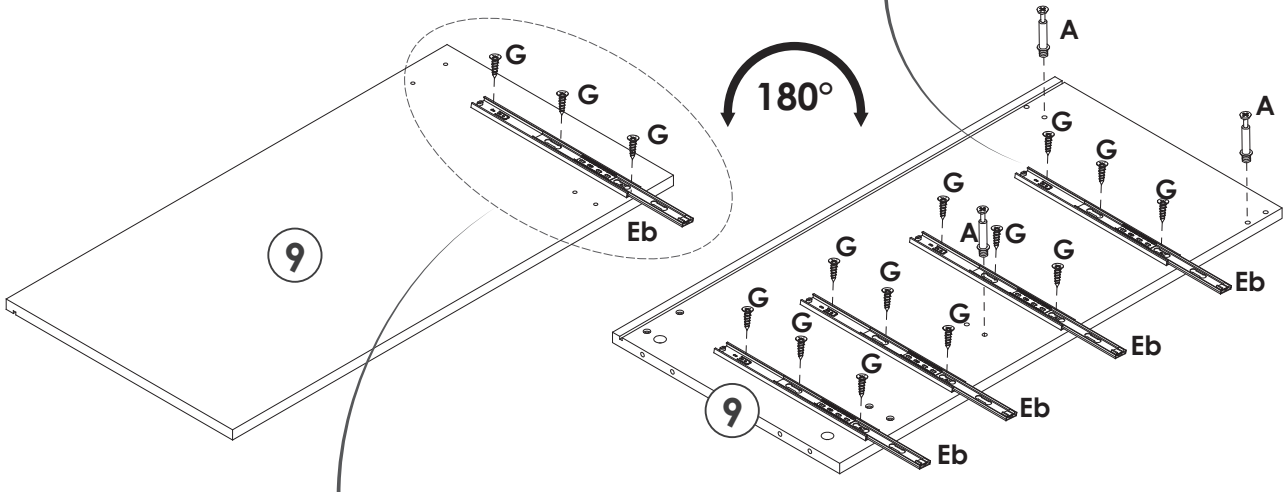
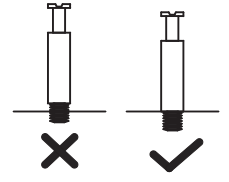
YOU WILL NEED

G x15

Eb x5

A x3

FRONT E/b



FRONT E/b

4

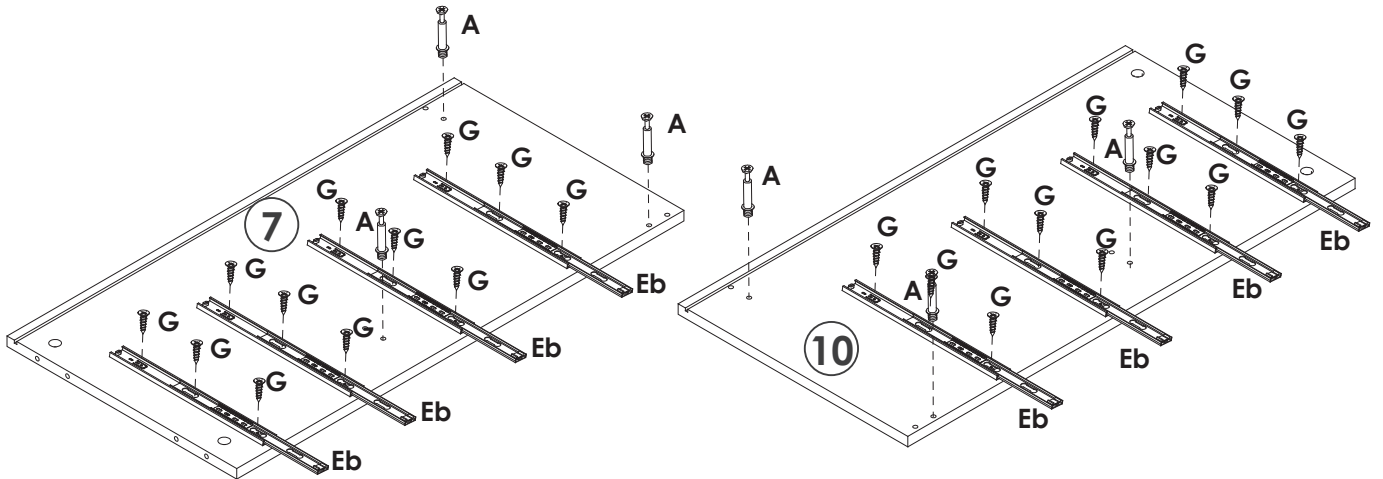
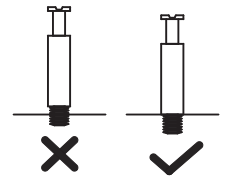
YOU WILL NEED

G x24

Eb x8

A x6

FRONT E/b

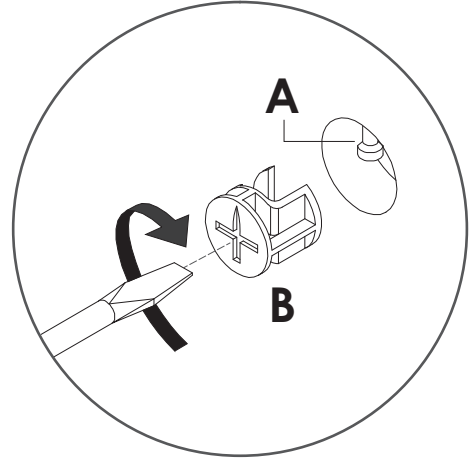
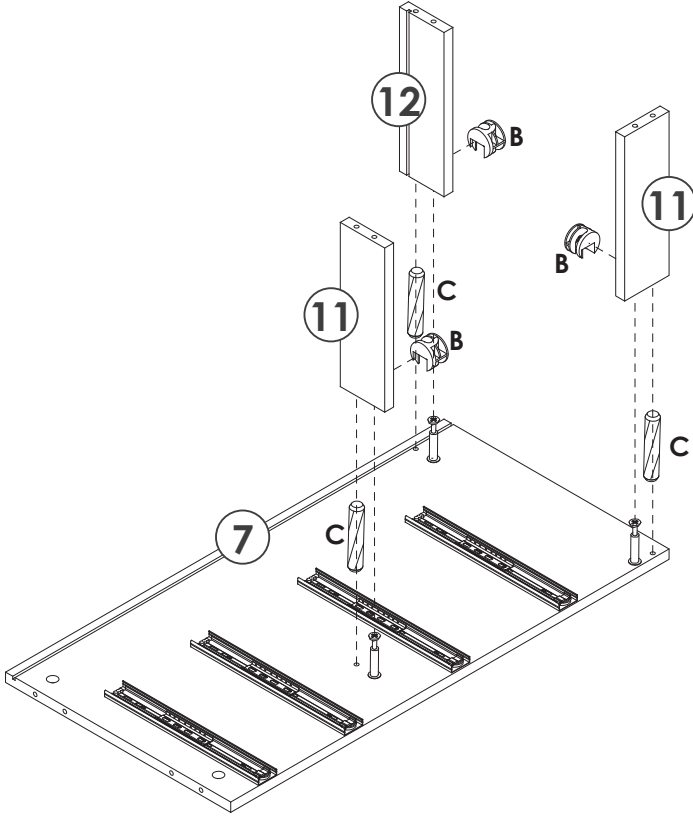


5

YOU WILL NEED

B x3

C x3

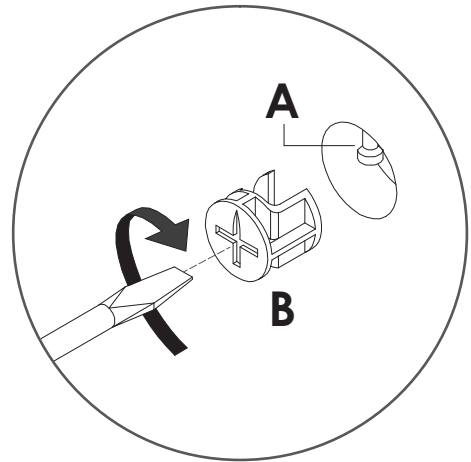
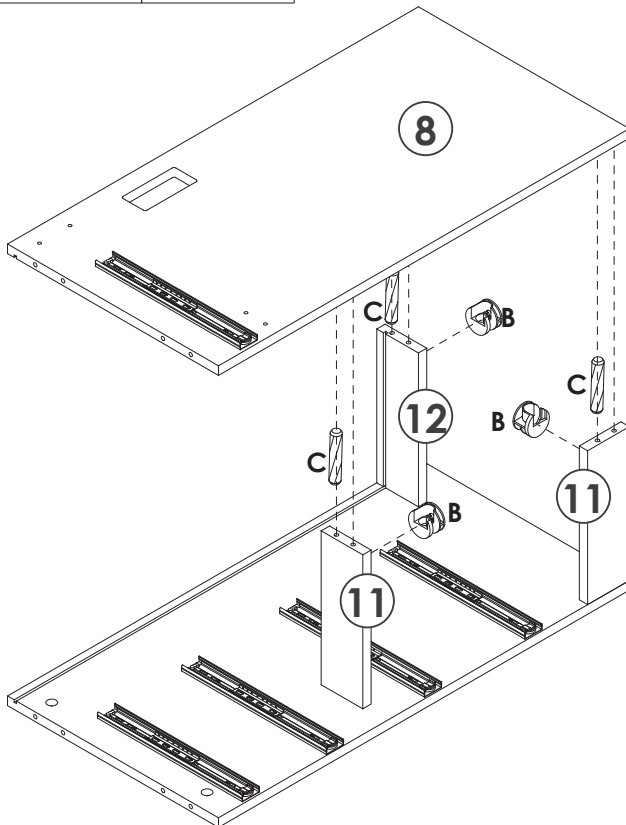


6

YOU WILL NEED

B x3

C x3

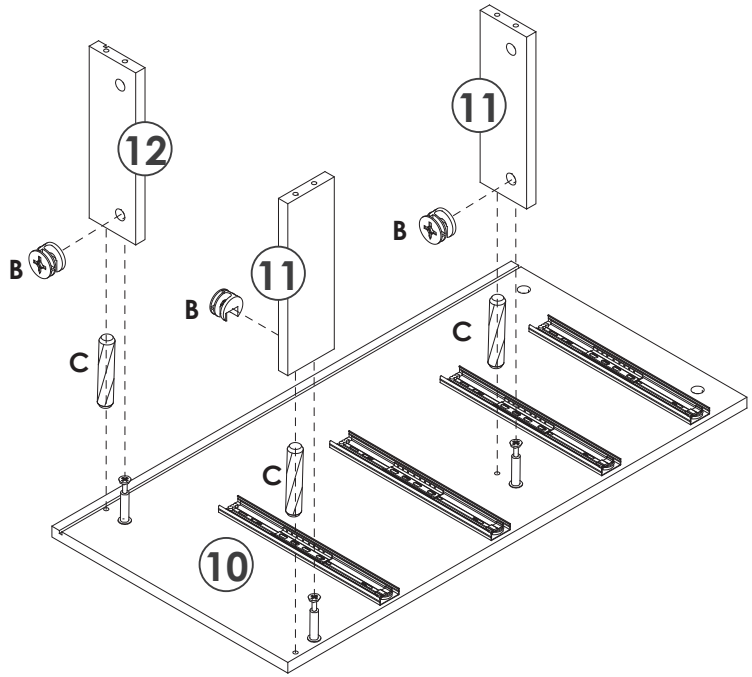
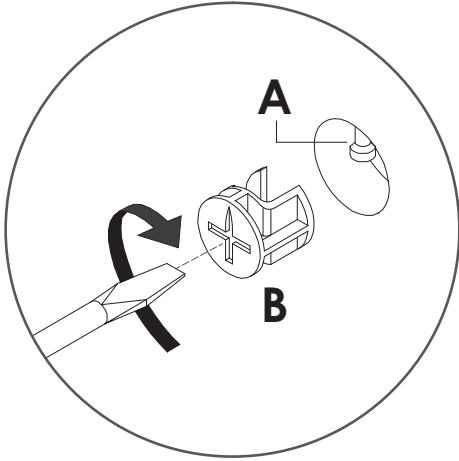


7

YOU WILL NEED

B x3

C x3

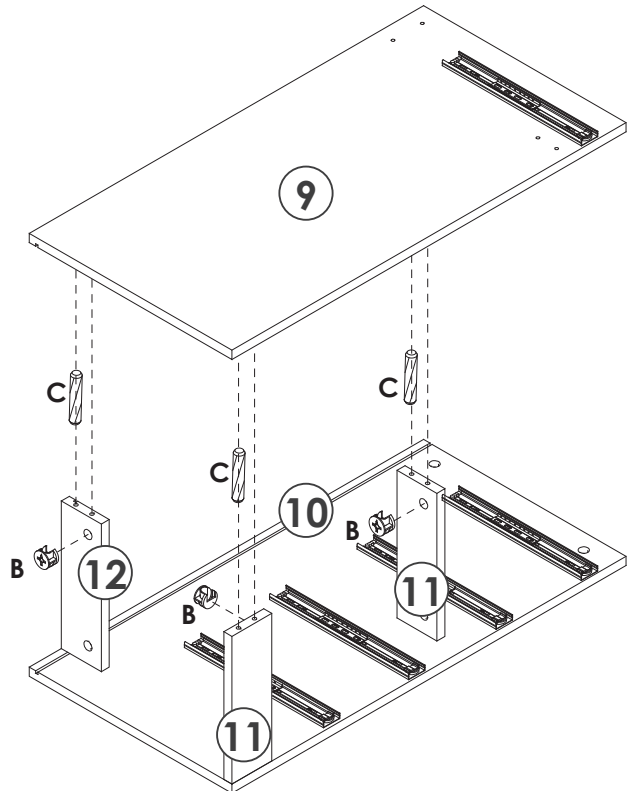
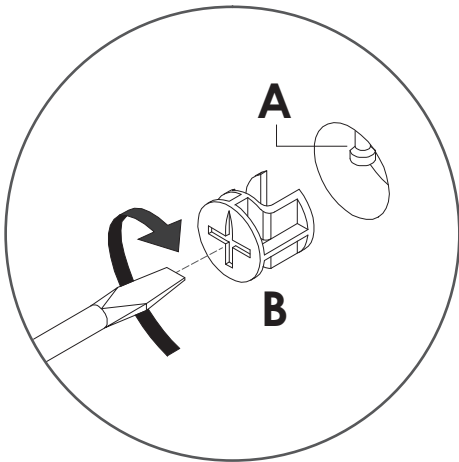


8

YOU WILL NEED

B x3

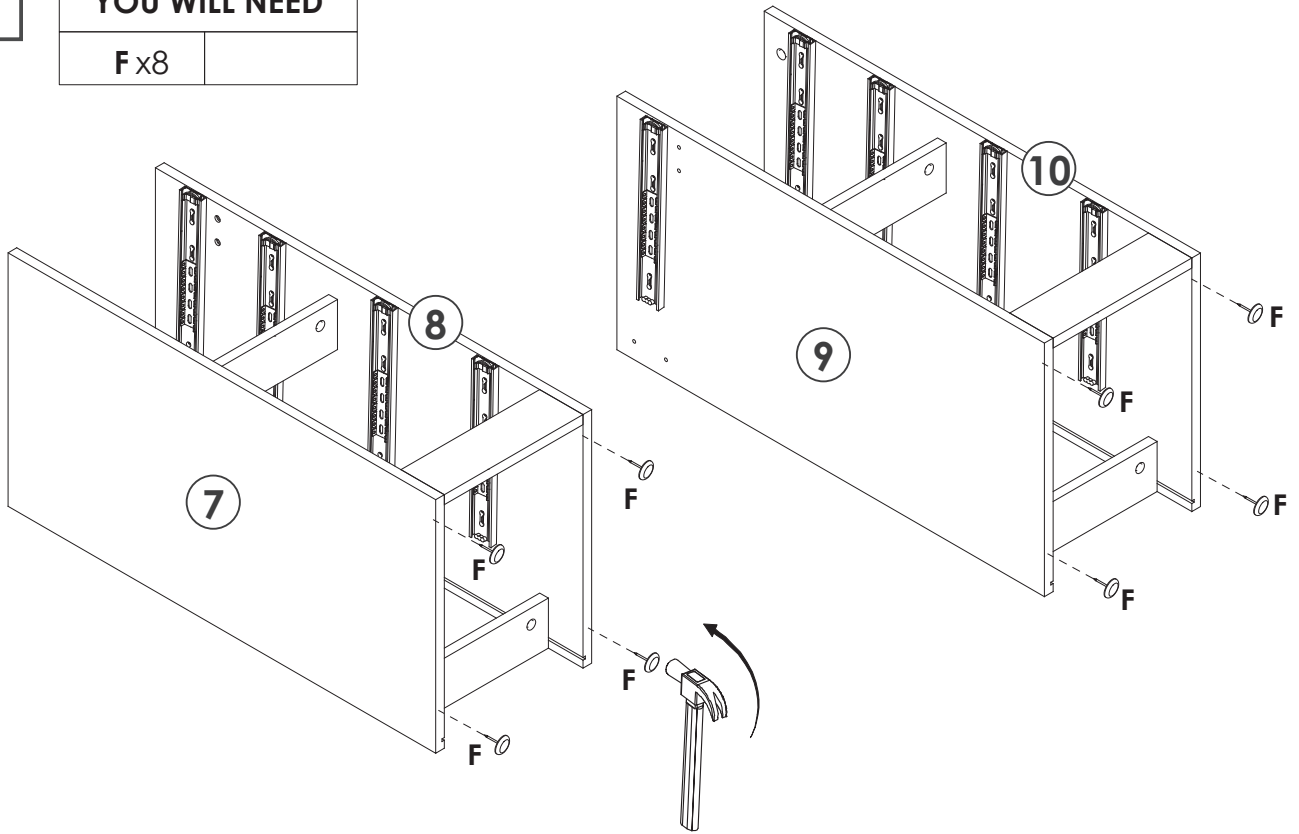
C x3



9

YOU WILL NEED

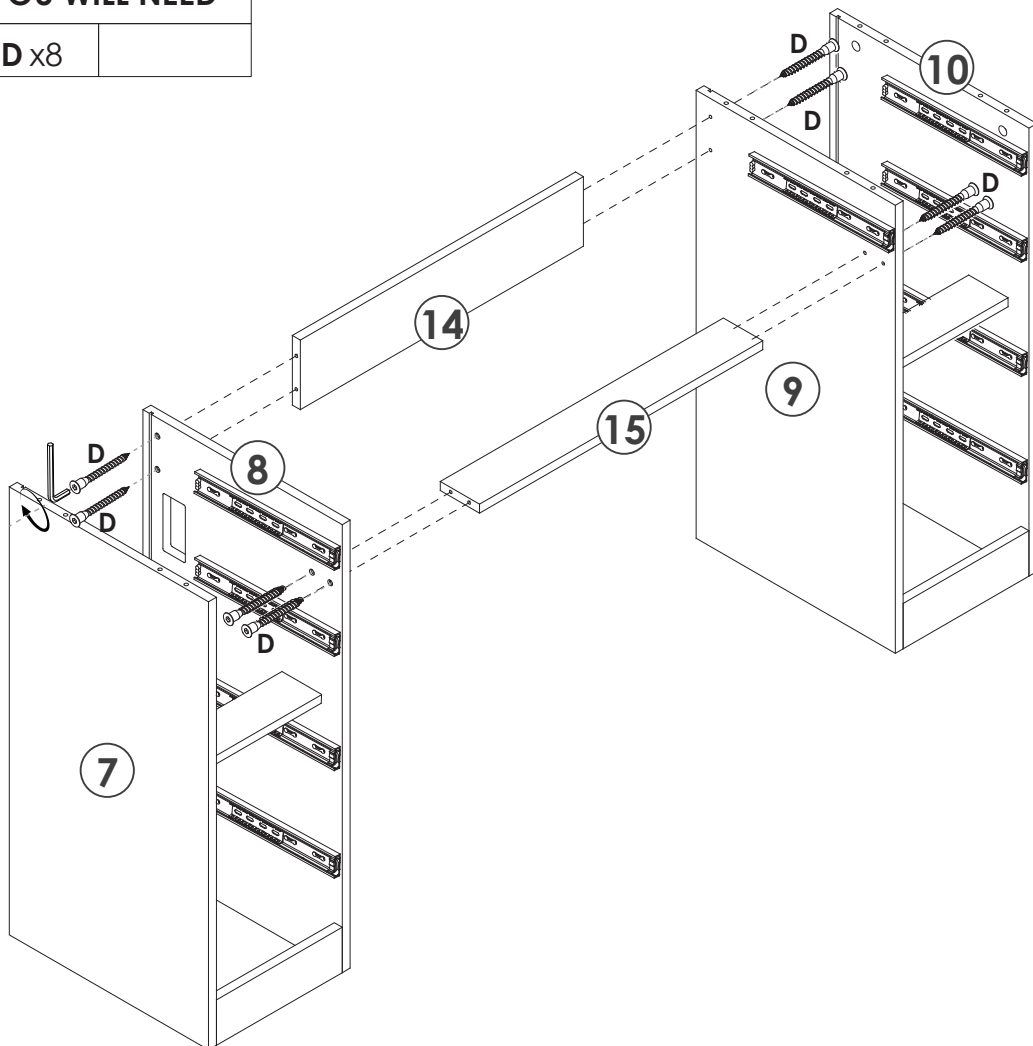
F x 8



10

YOU WILL NEED

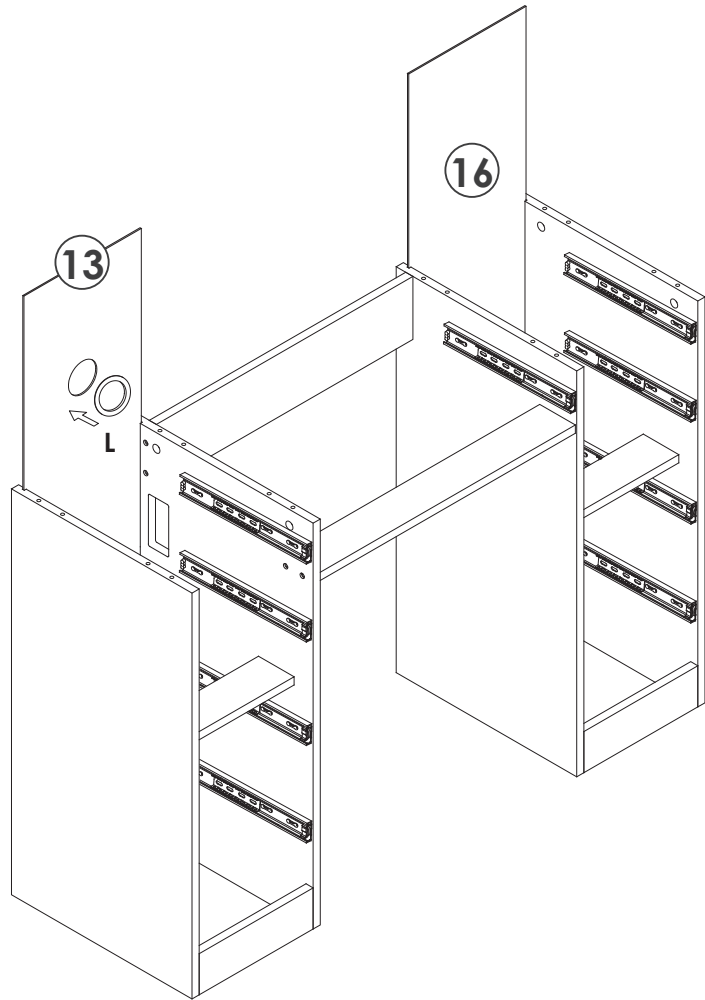
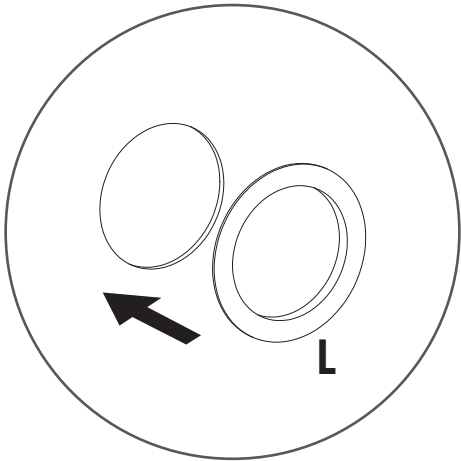
D x 8



11

YOU WILL NEED

L x1

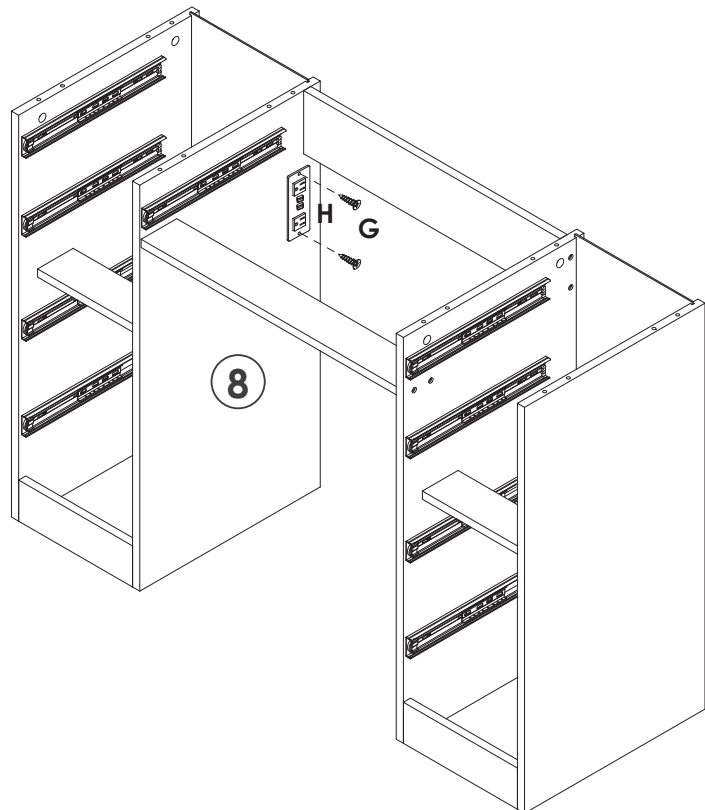
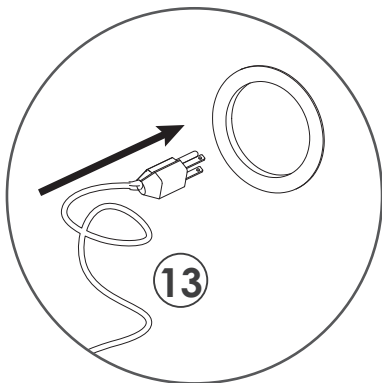
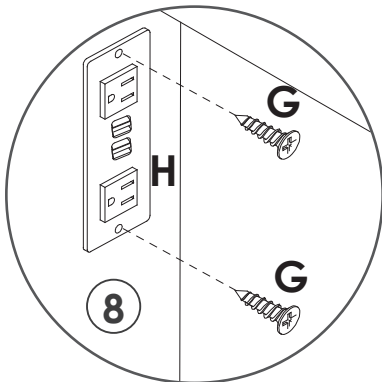


12

YOU WILL NEED

H x1

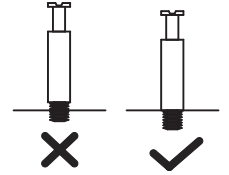
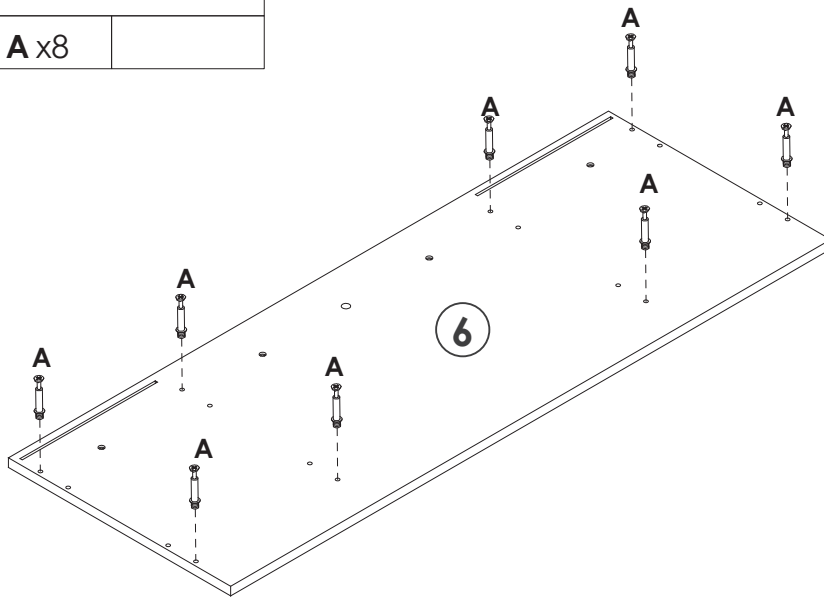
G x2



13

YOU WILL NEED

A x8

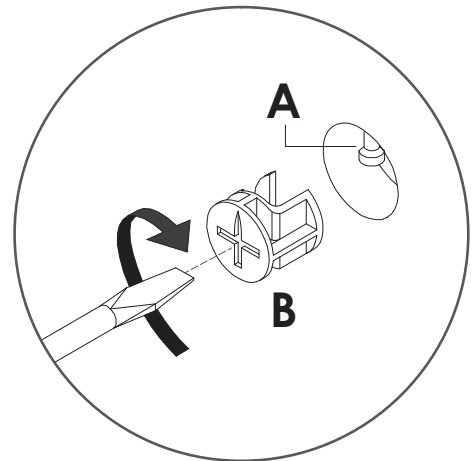
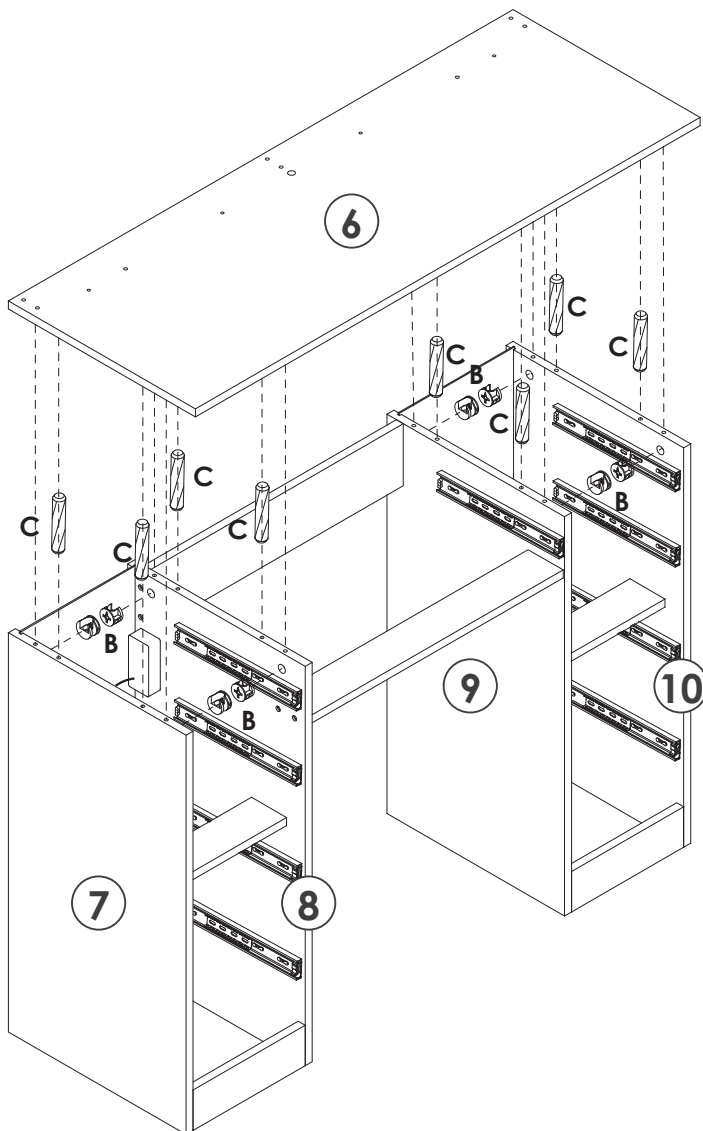


14

YOU WILL NEED

B x8

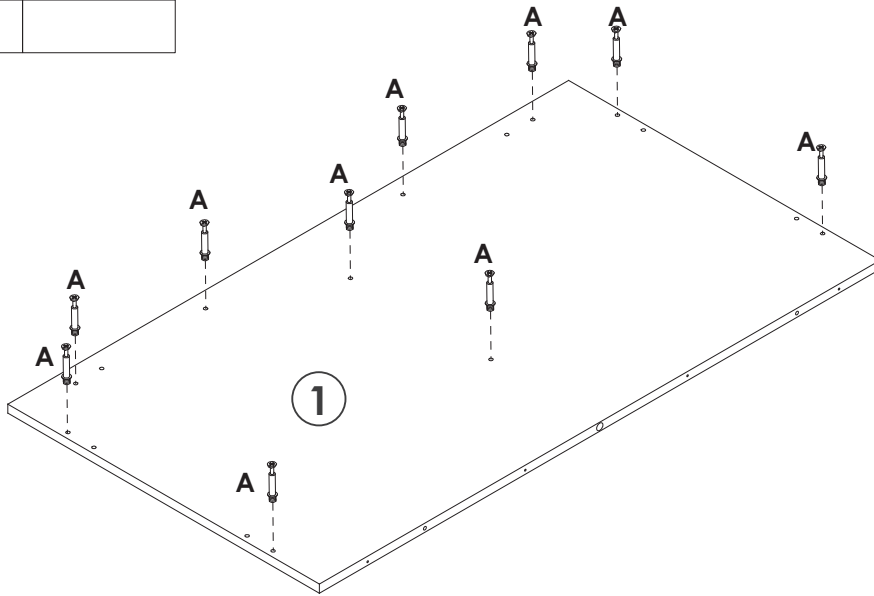
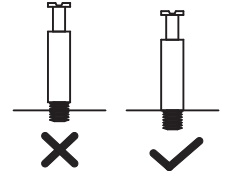
C x8



15

YOU WILL NEED

A x10

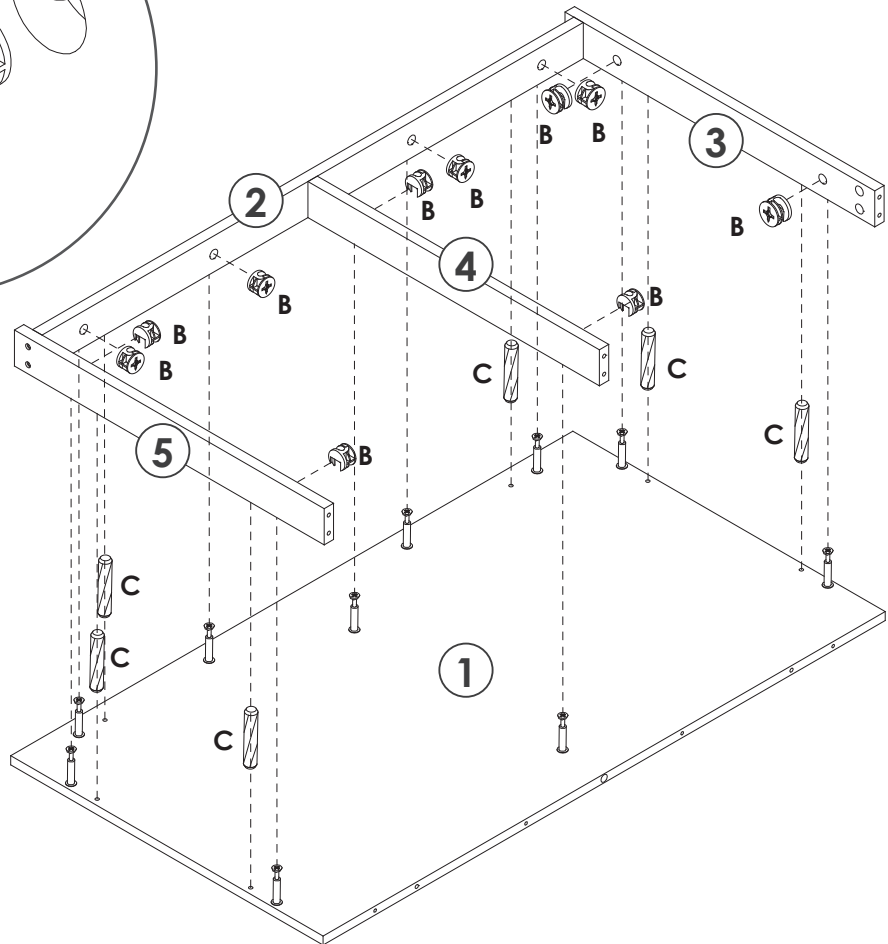
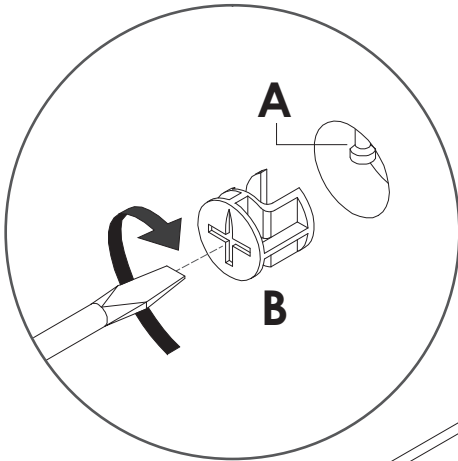


16

YOU WILL NEED

B x10

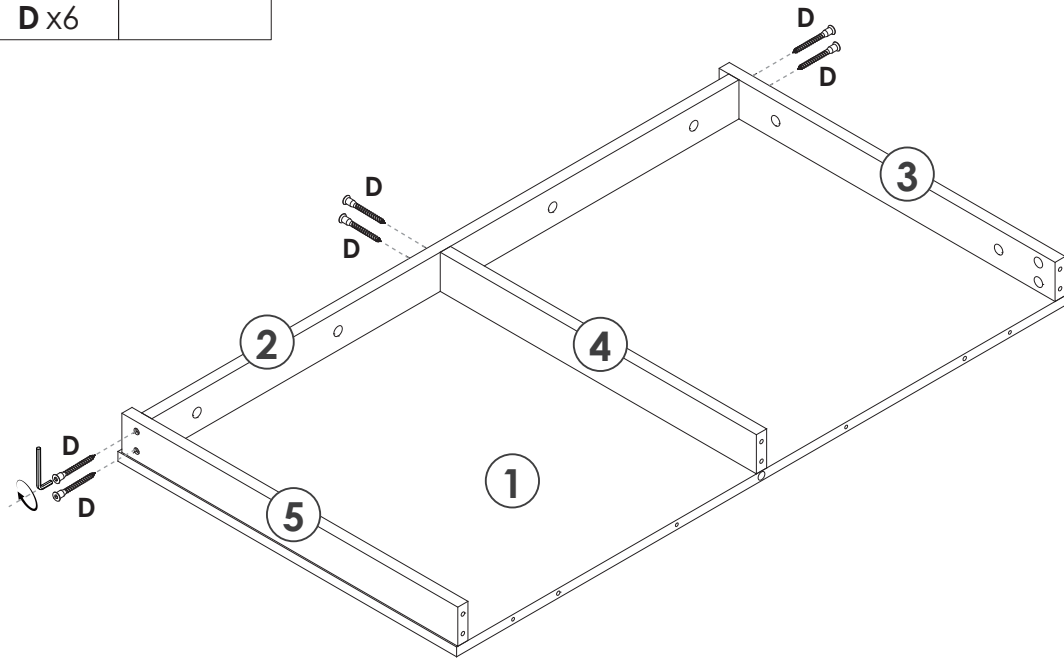
C x6



17

YOU WILL NEED

D x6



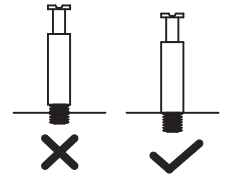
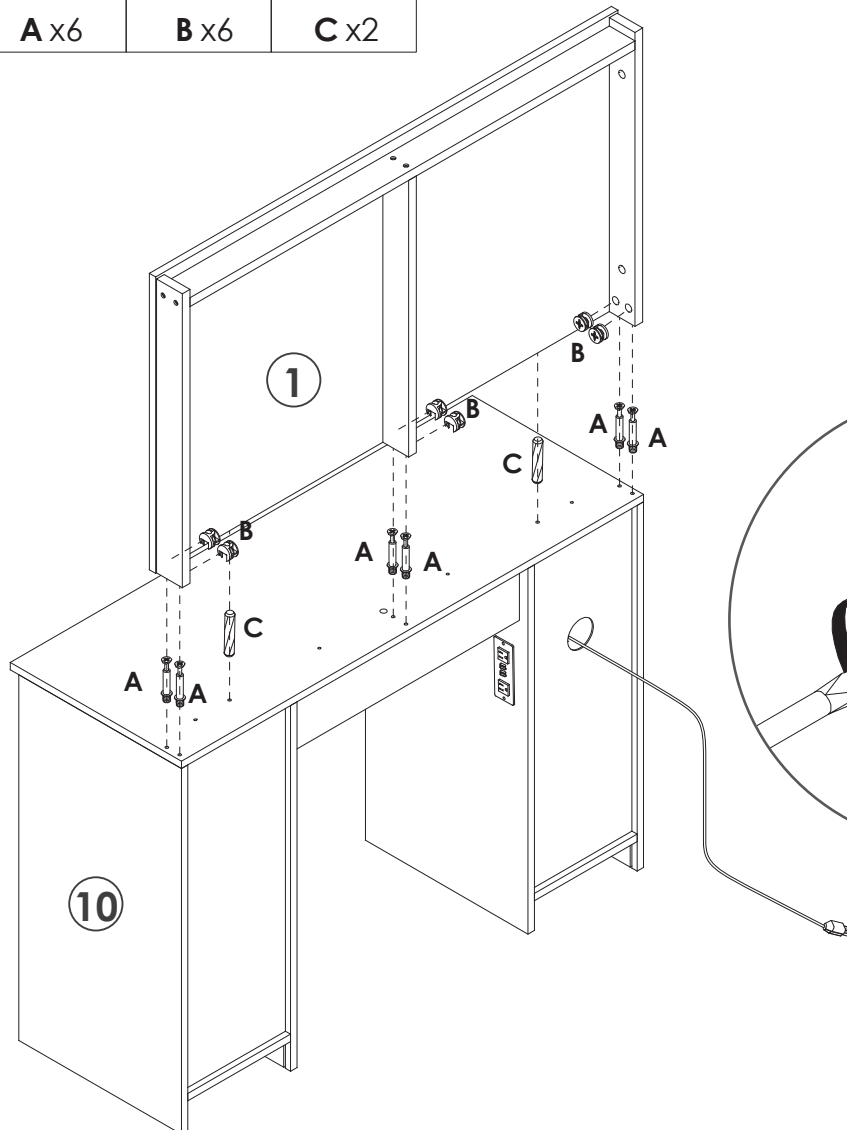
18

YOU WILL NEED

A x6

B x6

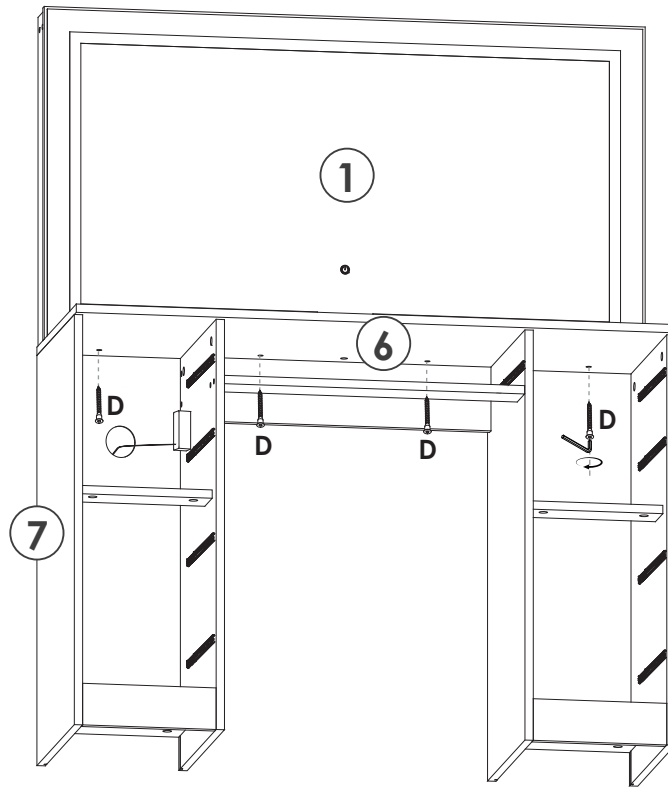
C x2



19

YOU WILL NEED

D x4



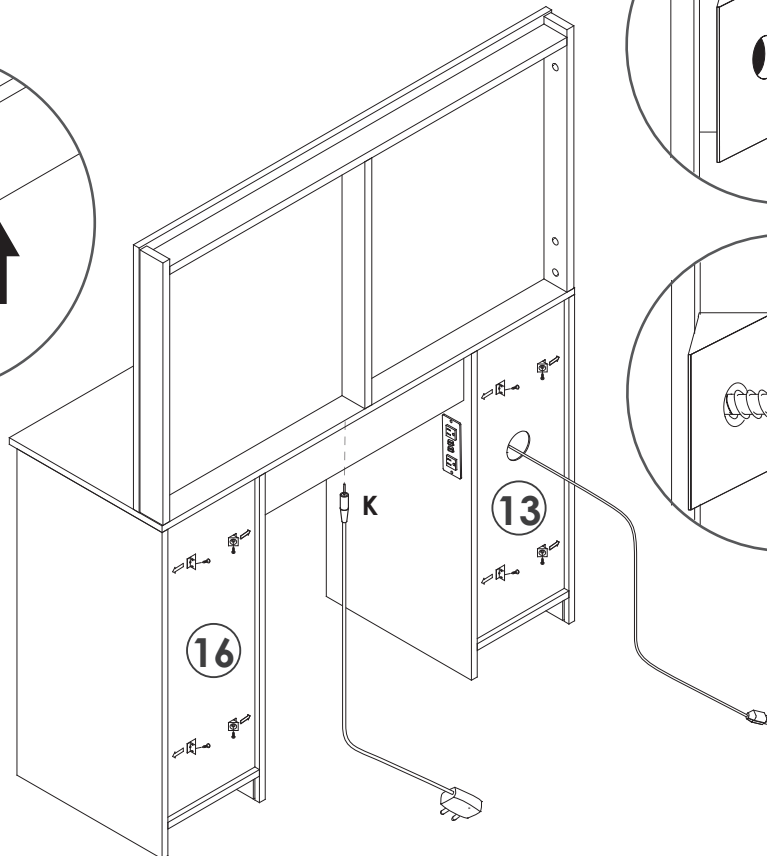
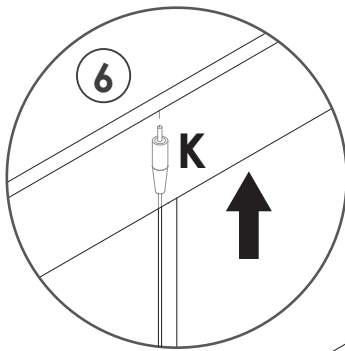
20

YOU WILL NEED

I x8

J x8

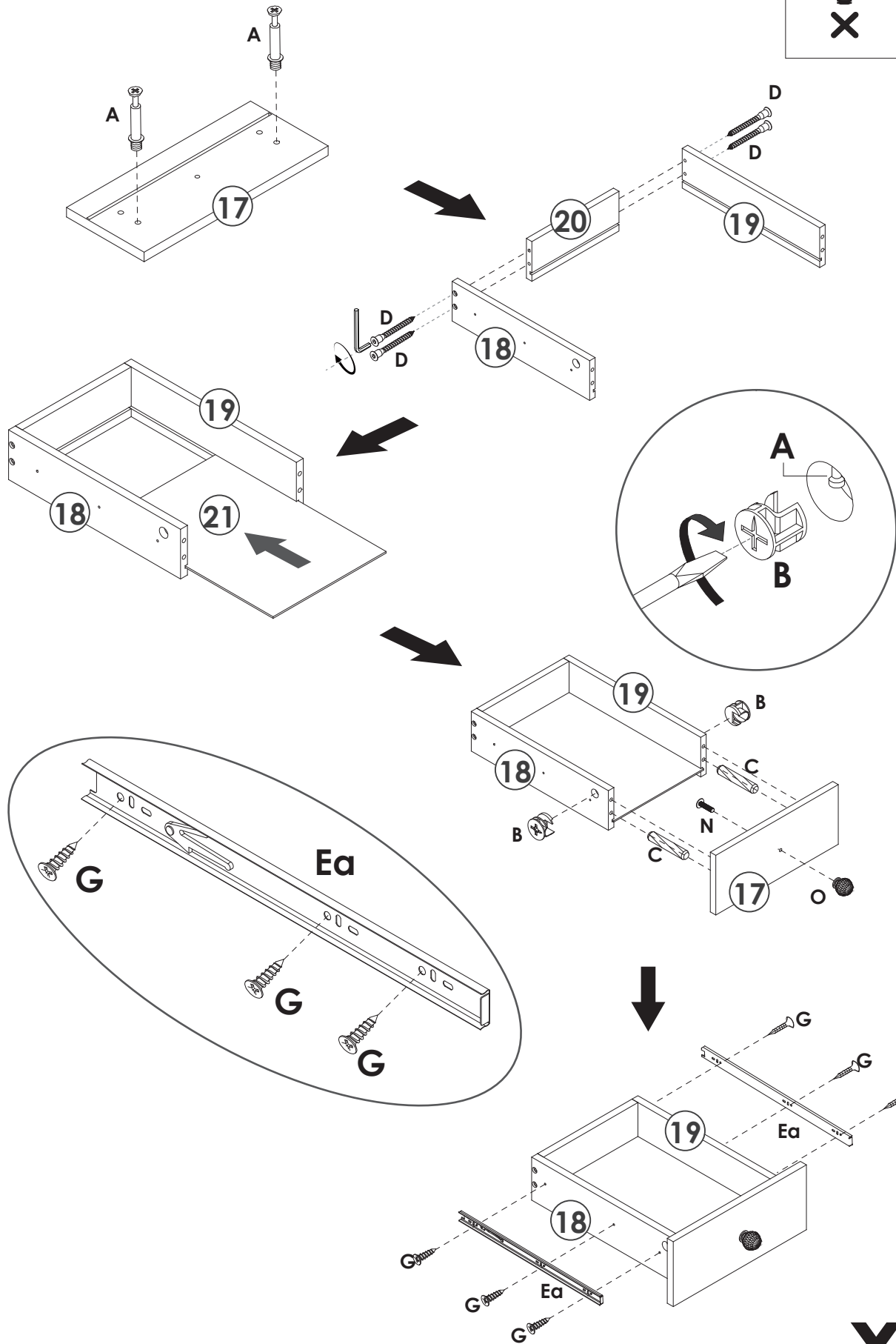
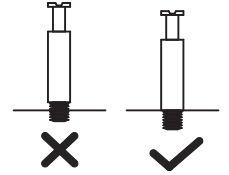
K x1



21

YOU WILL NEED

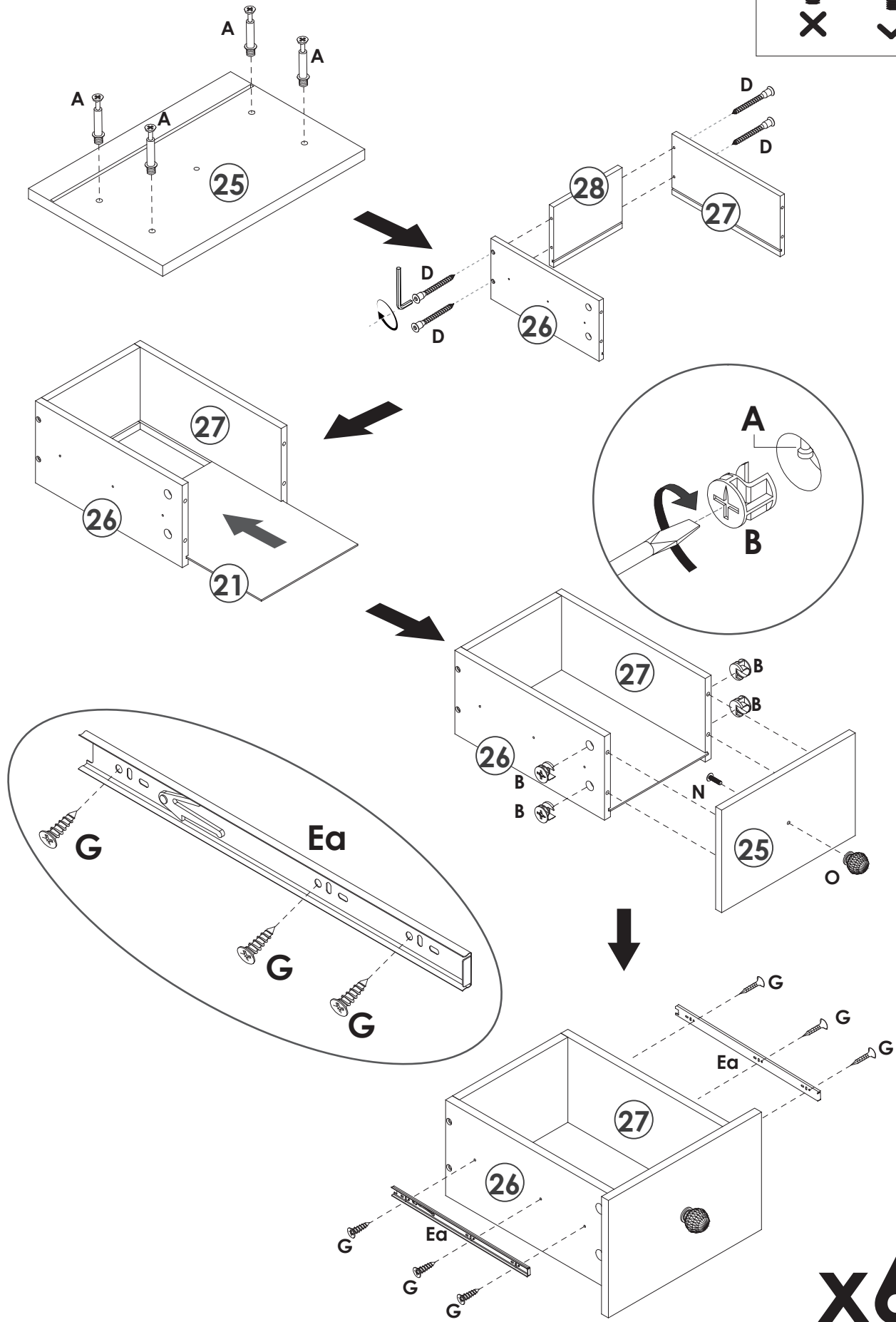
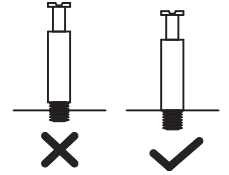
| | | | | | | | |
|------|------|------|------|------|------|-------|-------|
| A x4 | D x8 | B x4 | C x4 | N x2 | O x2 | G x12 | Ea x4 |
|------|------|------|------|------|------|-------|-------|



x2

YOU WILL NEED

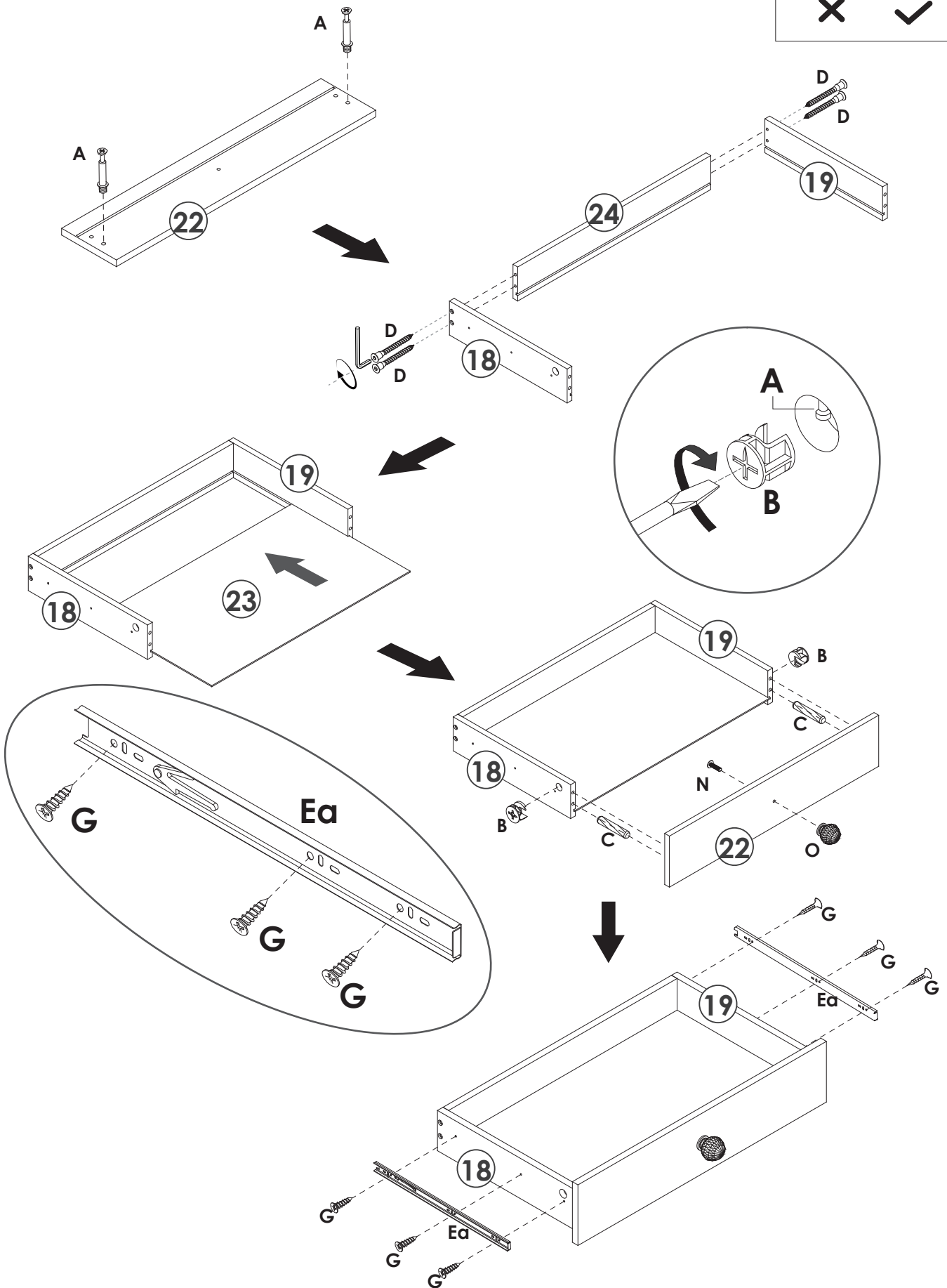
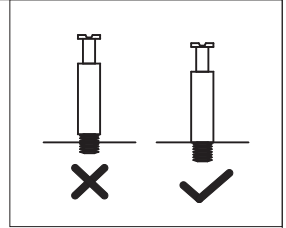
| | | | | | | |
|-------|-------|-------|------|------|-------|--------|
| A x24 | D x24 | B x24 | N x6 | O x6 | G x36 | Ea x12 |
|-------|-------|-------|------|------|-------|--------|



23

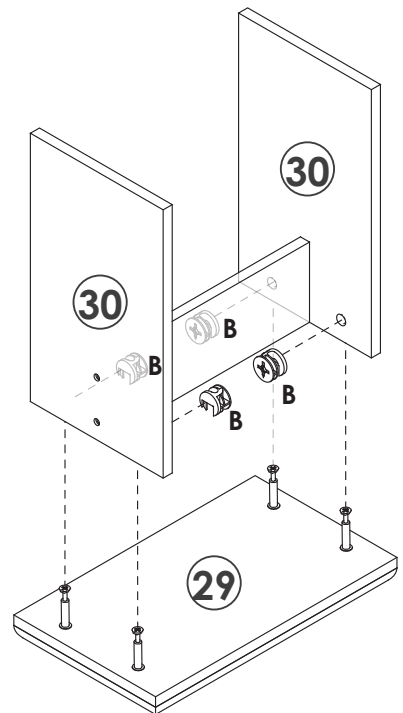
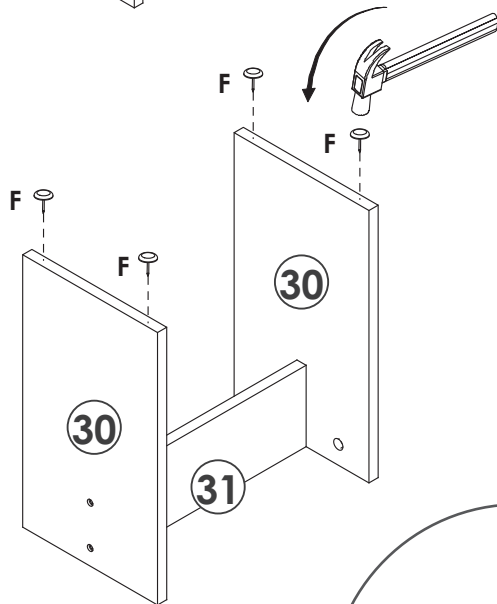
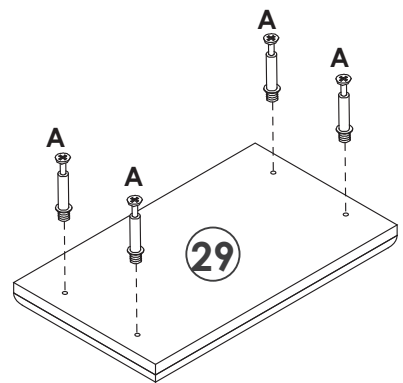
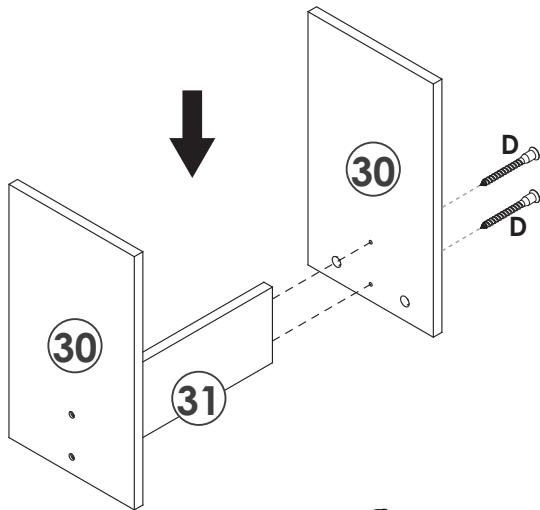
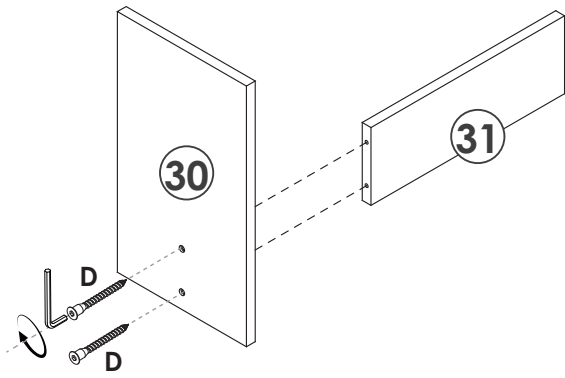
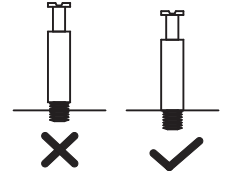
YOU WILL NEED

| | | | | | | | |
|------|------|------|------|------|------|------|-------|
| A x2 | D x4 | B x2 | C x2 | N x1 | O x1 | G x6 | Ea x2 |
|------|------|------|------|------|------|------|-------|



YOU WILL NEED

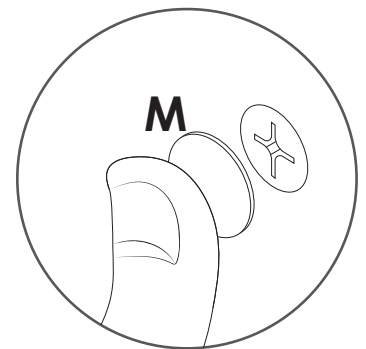
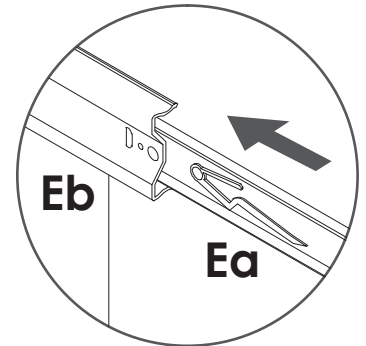
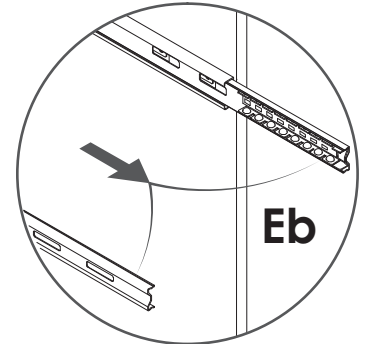
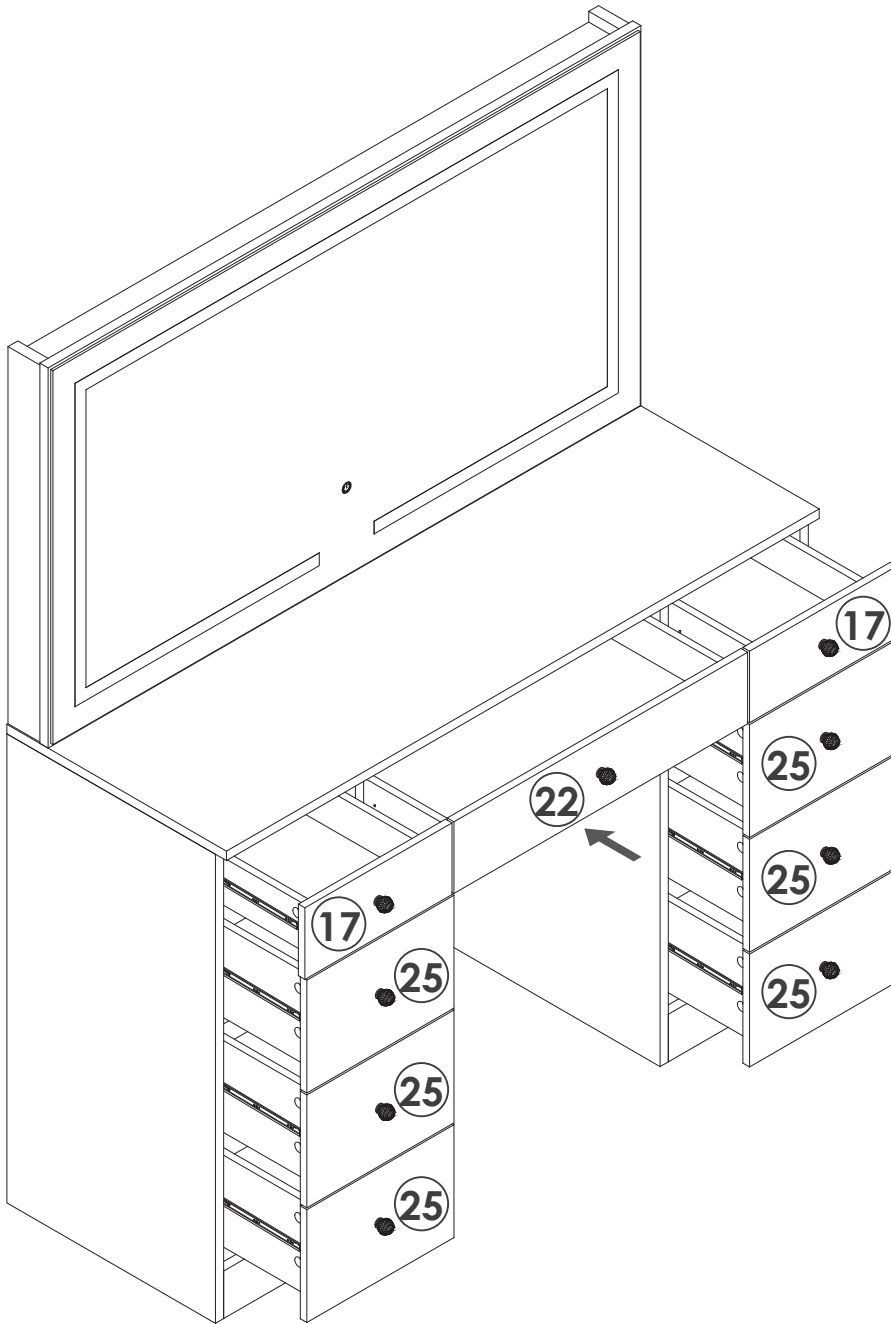
| | | | |
|------|------|------|------|
| B x4 | F x4 | A x4 | D x4 |
|------|------|------|------|



25

YOU WILL NEED

M x44



WARRANTY

We provide an **18-month** warranty on the product starting from the date of the original purchase. If the product has any manufacturing defect, please contact us through email with details about the problem. We will send you further information about the return or exchange.

Model: JY-1009

Scan the QR code
to view the detailed
assembly video



Made in China

