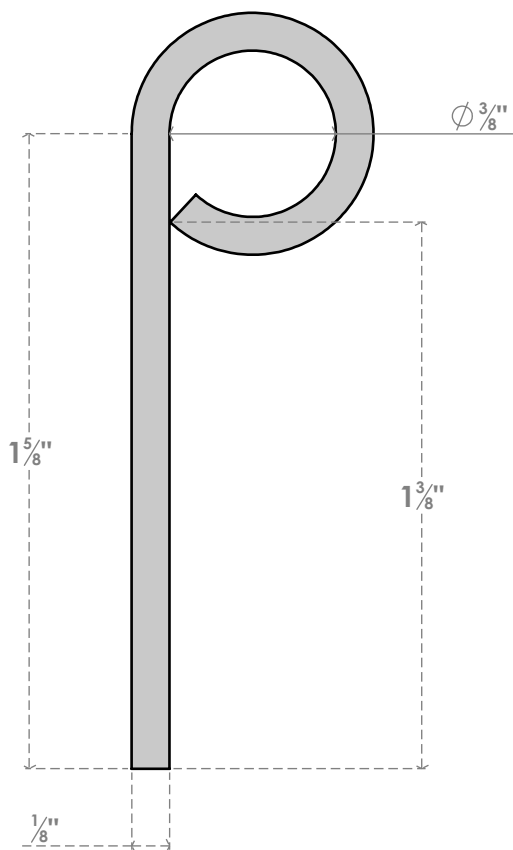
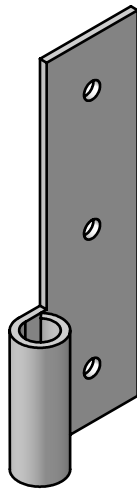


ITEM NUMBER: SHWM000X05FHSSBL

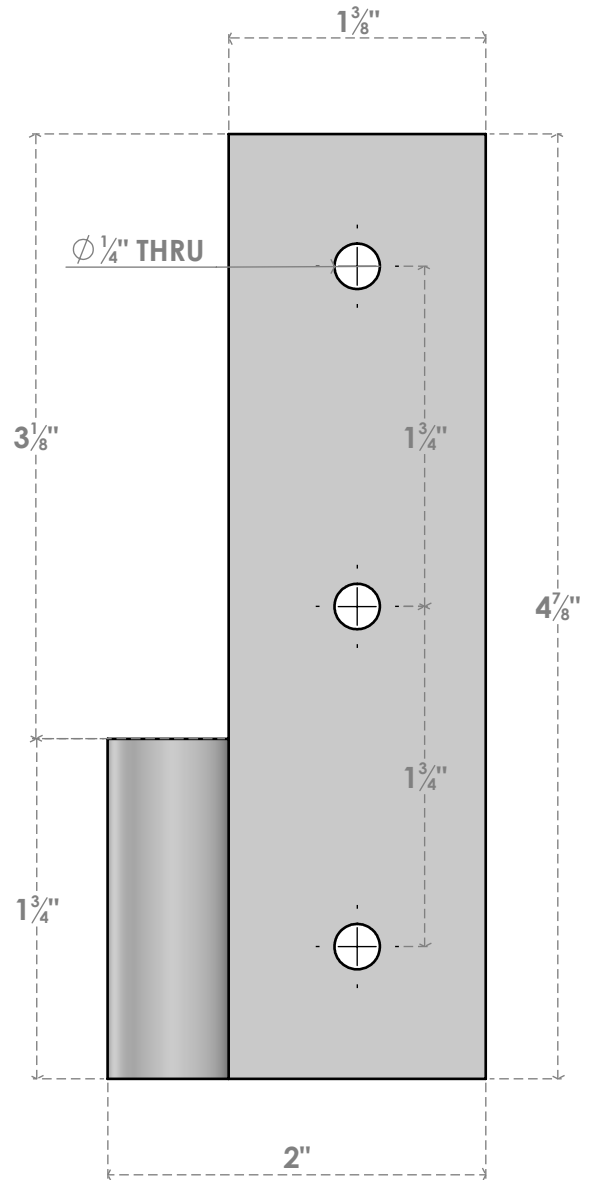
STEELTEK FLAT HINGE WITH 0" OFFSET (SOLD AS PAIR), 304 STAINLESS STEEL, POWDER COATED BLACK



TOP



ISOMETRIC



FRONT



EKENA MILLWORK
2300 WEST MAIN ST.
CLARKSVILLE, TX 75426
TOLL FREE: 866-607-0453
WWW.EKENAMILLWORK.COM

GENERATED DATE : 11/12/2024

NOTES

1. INSTALLATION TO BE COMPLETED IN ACCORDANCE WITH MANUFACTURER'S SPECIFICATIONS.
2. DRAWING MAY NOT BE TO SCALE
3. THIS DRAWING IS INTENDED FOR DESIGN AND PLANNING PURPOSES ONLY.
5. MANUFACTURED FROM 304 STAINLESS STEEL WITH POWDERCOATED BLACK FINISH.
6. ACTUAL DIMENSIONS MAY VARY DUE TO MATERIAL AND MANUFACTURING TOLERANCES