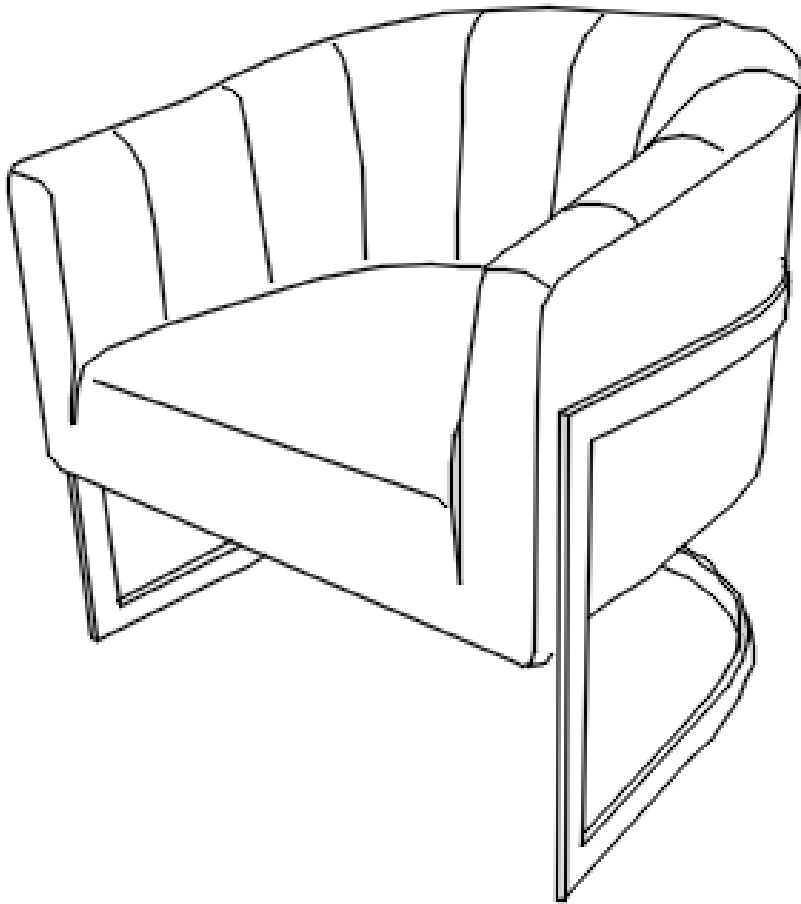
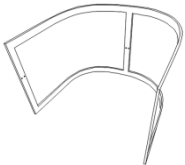
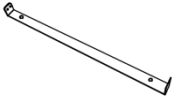

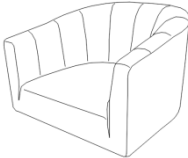




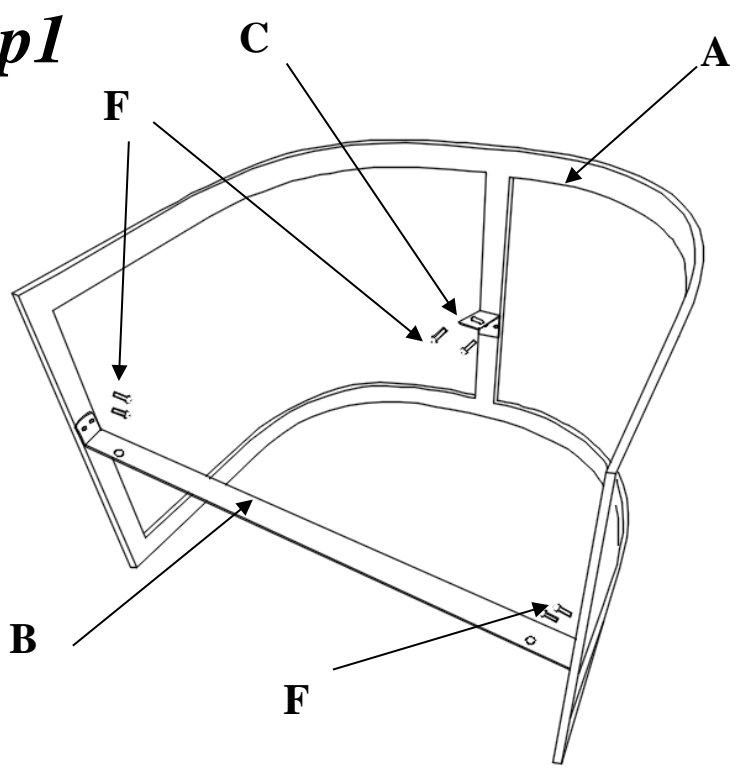


ACCENT CHAIR

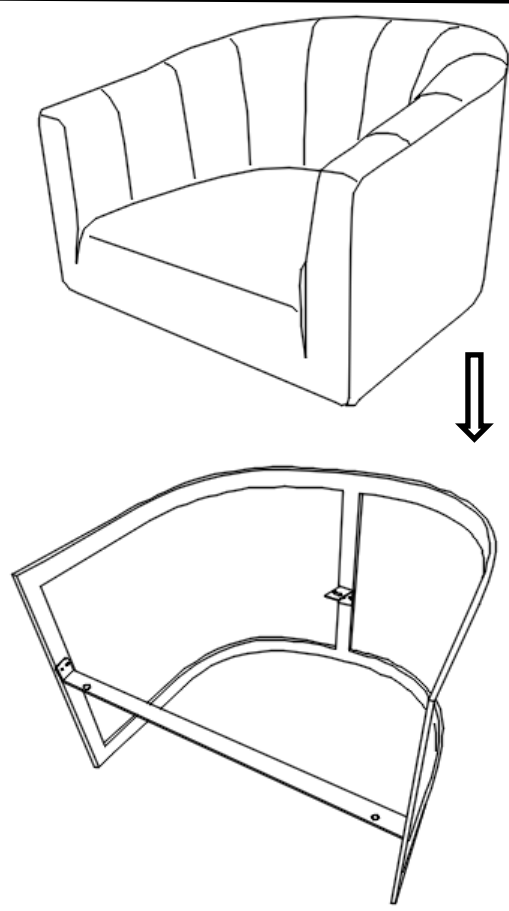


PARTSLIST		
LABEL	PICTURE	QTY
A		1
B		1
C		1
D		1
HARDWARE		
LABEL	PICTURE	QTY
F	M6x12 	6
G	M6x30 	3
H		3
I		1

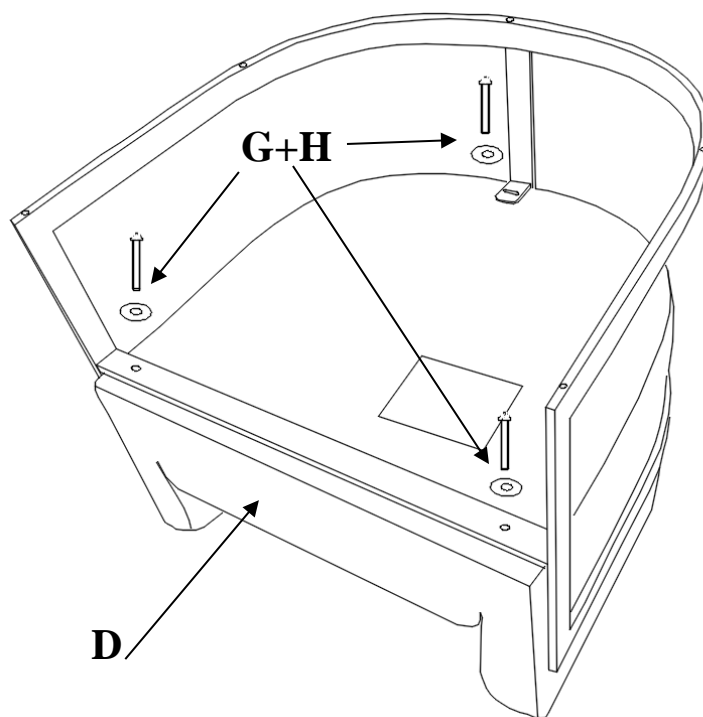
Step 1



Step 2



Step3



Step4

