
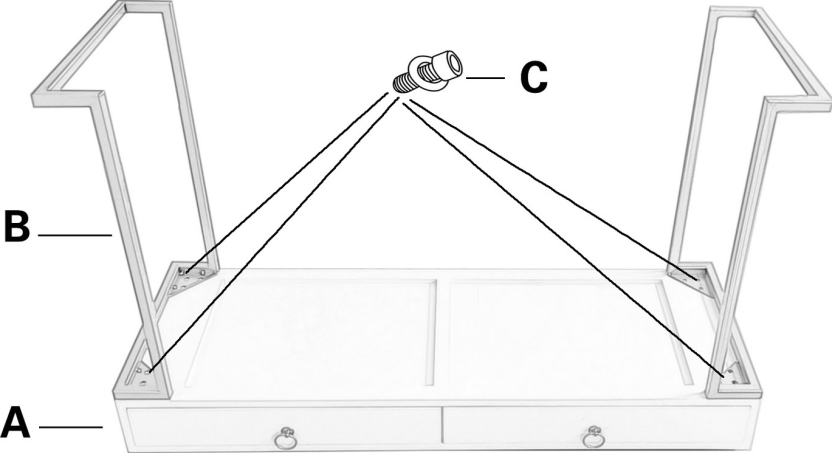


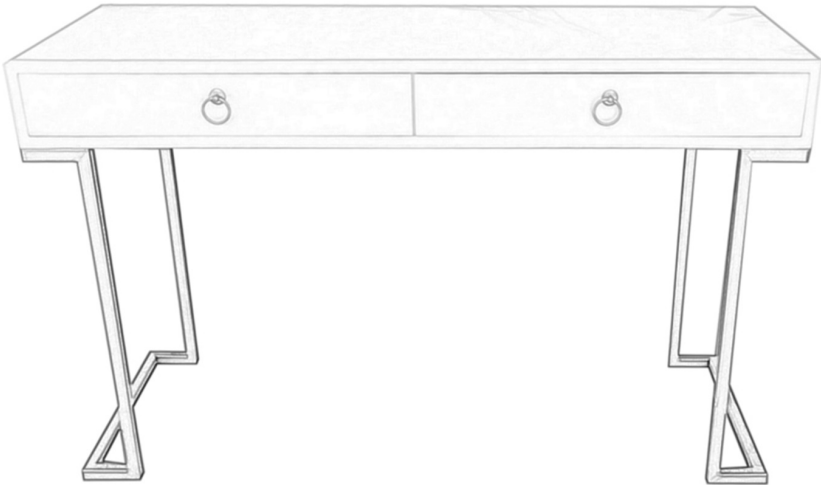



<p>A</p>		<p>1PC</p>	<p style="text-align: center;">Assembly Manual</p>  <p>Step 1: Lay Part A with holes facing up on flat surface</p>
<p>B</p>		<p>2PCS</p>	
<p>C</p>		<p>8PCS</p>	 <p>Step 2: Parts B screw to Part A using Part D and Parts C</p>
<p>D</p>		<p>1PC</p>	