
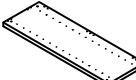
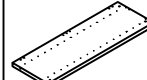

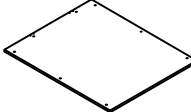



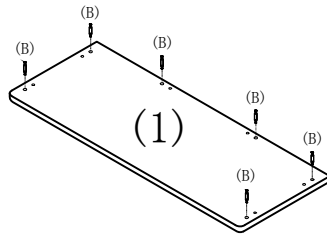
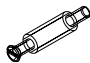
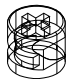




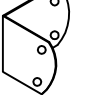

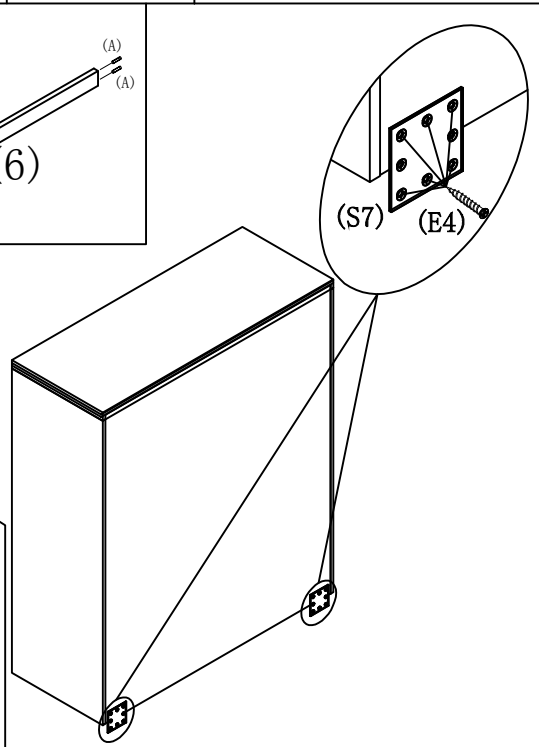
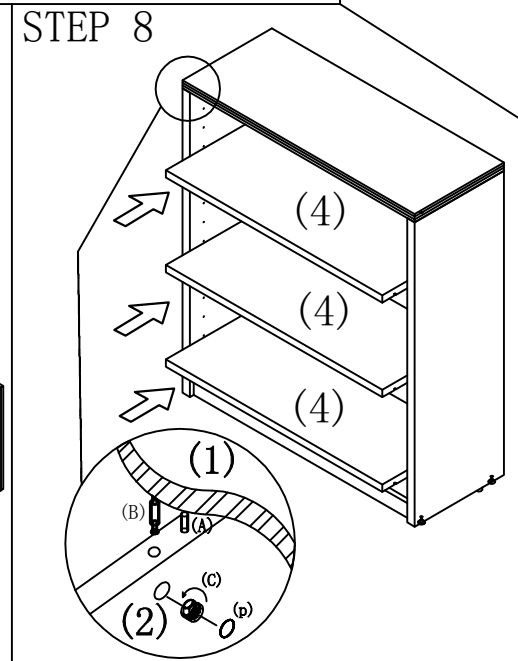
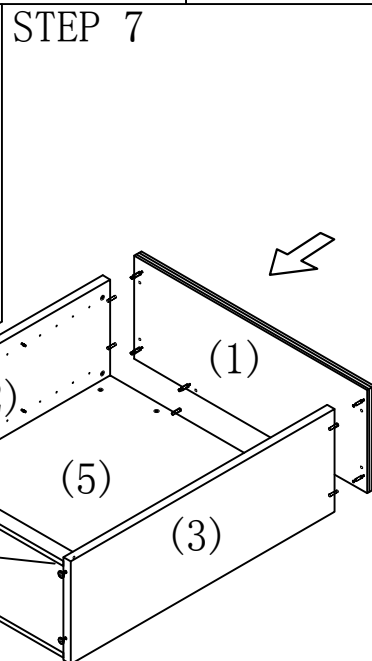
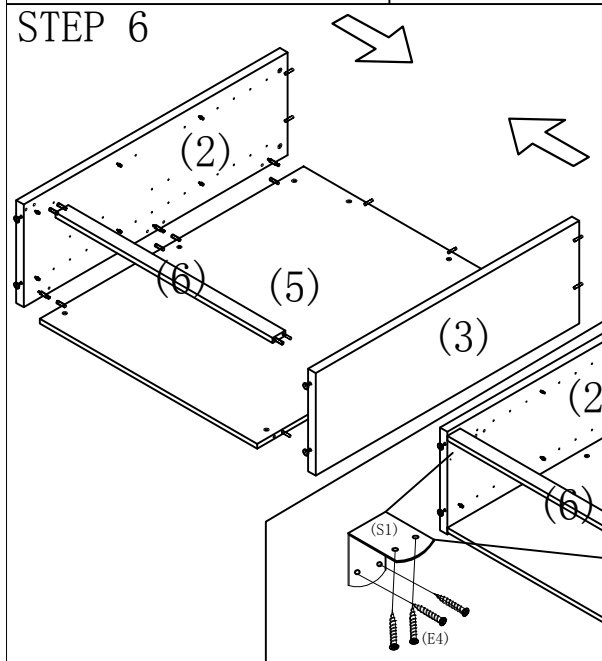
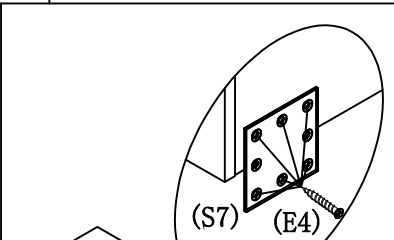
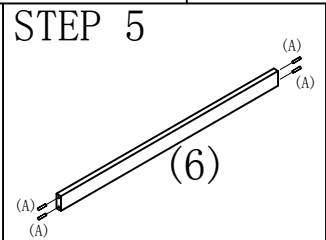
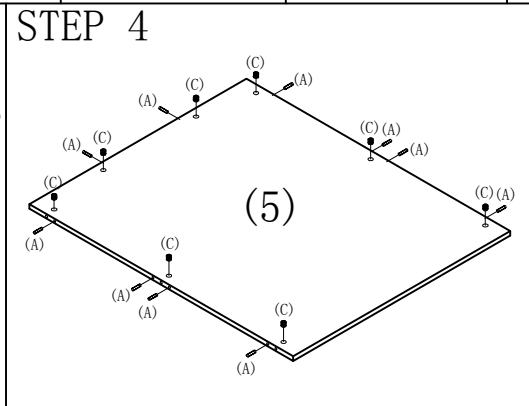
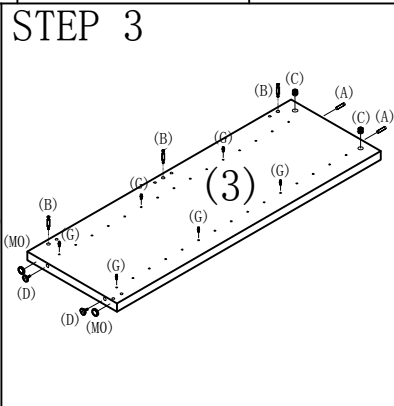
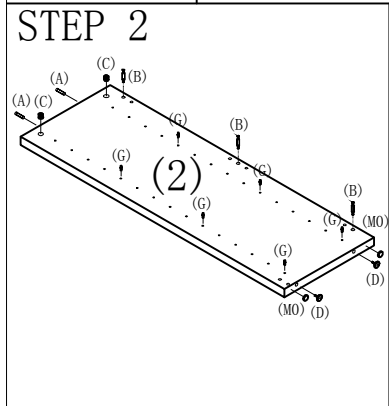


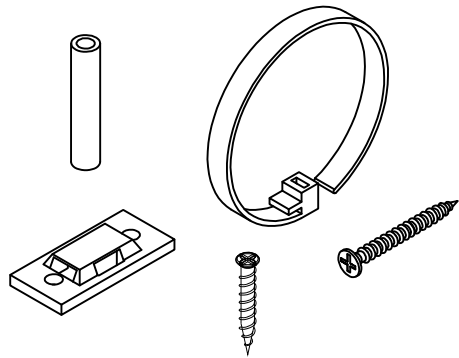
(1) Top  1PC	(2) End Panel  1PC	(3) End Panel  1PC	(4) Shelf  3PCS	(5) Back Panel  1PC	(6) Bottom Rail  1PC	(A) Dowel  18PCS+1	(S7) Flat Bracket  2PCS	STEP 1  (1)
(B) Cam Pin  12PCS+1	(C) Cam Lock  12PCS+1	(D) Leg Leveller  4PCS	(G) Shelf Pin  12PCS+1	(p) Adhesive Cam Cover  12PCS+1	(E4) Wood Screw  18PCS+2	(S1) Corner Bracket  2PCS	(M0) Cushion  4PCS	



Bookcase 42" H  
36"W × 14"D × 42"H

Always lay components on A clean, soft-cushioned surface during assembly.

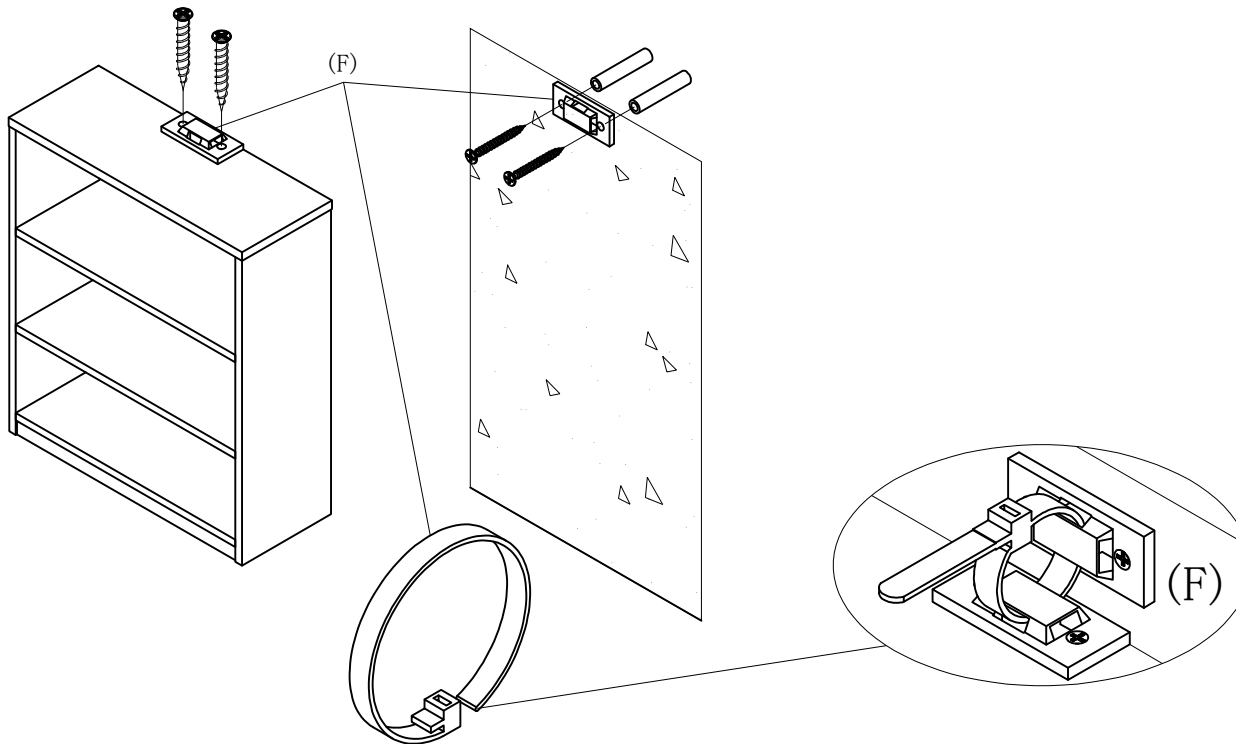
(F) Wall-attachment kits



1PC

1. Affix 1st wall-attachment bracket to the top of Bookcase, at rear/center, using (2) **SHORT** screws.
2. Affix 2nd wall-attachment bracket to the wall, using (2) wall anchors and (2) **LONG** screws.  
**Note:** Locate the 2nd bracket 1/4" higher than the 1st bracket (now located on the top of the bookcase). Align 2nd bracket left/right with the 1st bracket.
3. Connect wall-attachment brackets with plastic cable tie.

STEP 10



Bookcase 42" H  
36" W × 14" D × 42" H

*Always lay components on A clean, soft-cushioned surface during assembly.*