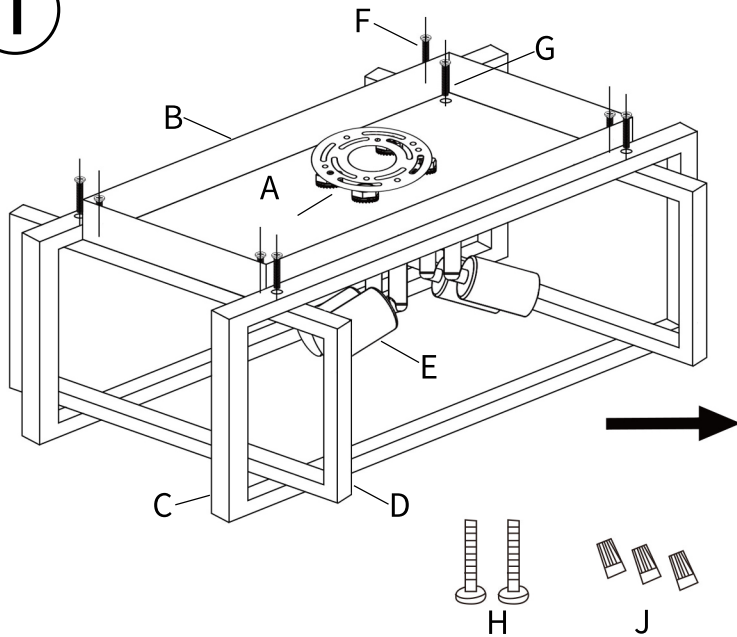


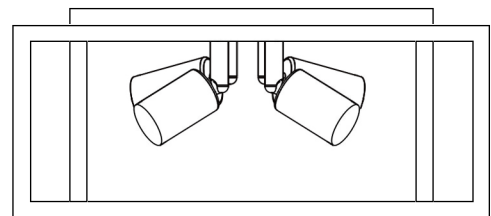
# Assembly Installation Instructions

**CAUTION:** Read instructions carefully and turn off the electricity to the circuit you're working on at the main electrical panel before beginning installation. Never attempt to work on live wires. We suggest the lighting fixture needs to be installed by a licensed electrician

**1**



- A Mounting bracket x1
- B Canopy x1
- C Large metal box x2
- D Small metal box x2
- E Bulb socket x4
- F Long bolt x4
- G Short bolt x4
- H Screw x2
- J Wire connector x3



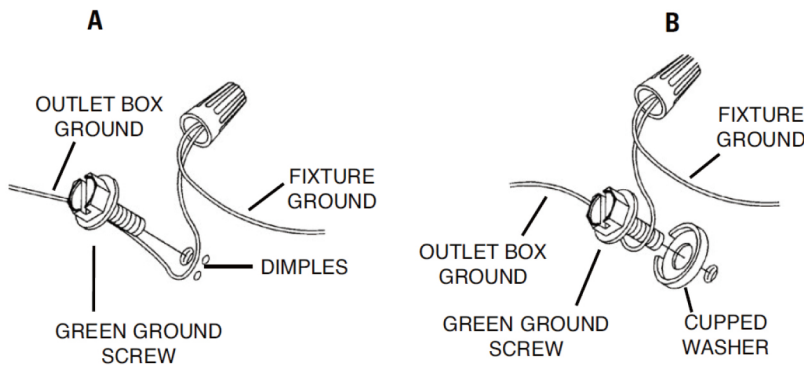
## Step 1

Referring to the diagram, assemble accessories B, C, D

**2**

### Installation Procedures:

1. Open the package and take out all the parts or accessories, then place them on a clean flat place.
2. Please turn off the power first:
3. Assemble the light fixture as below procedure:



Connect Black or Red Supply Wire to:	Connect White Supply Wire to:
Black	White
*Parallel cord (round & smooth)	*Parallel cord (square & ridged)
Clear, Brown, Gold or Black without tracer	Clear, Brown, Gold or Black with tracer
Insulated wire (other than green) with copper conductor	Insulated wire (other than green) with silver conductor

\*Note: When parallel wires (SPT I & SPT II) are used. The neutral wire is square shaped or ridged and the other wire will be round in shape or smooth (see illus.)

