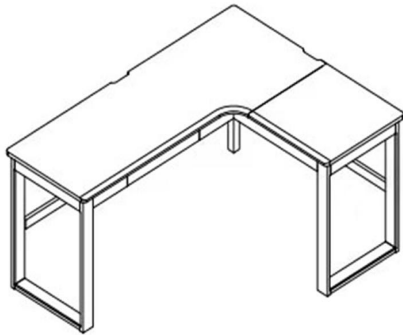
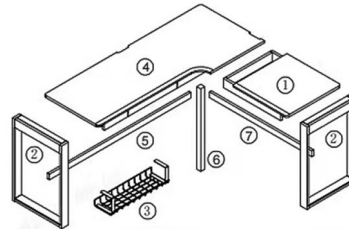


Installation instruction

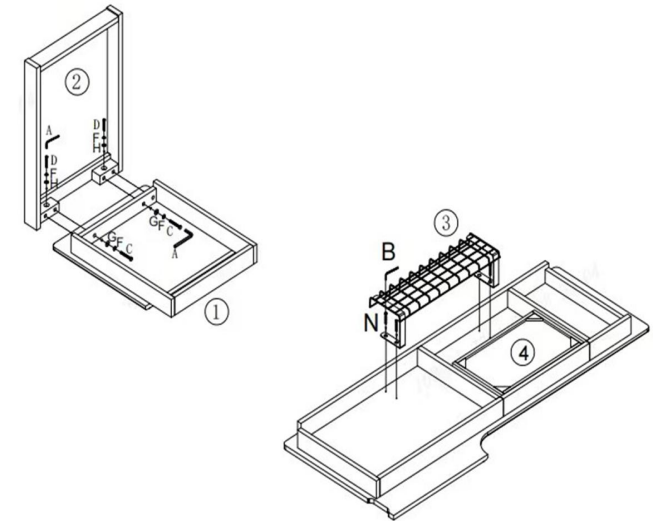


List of components

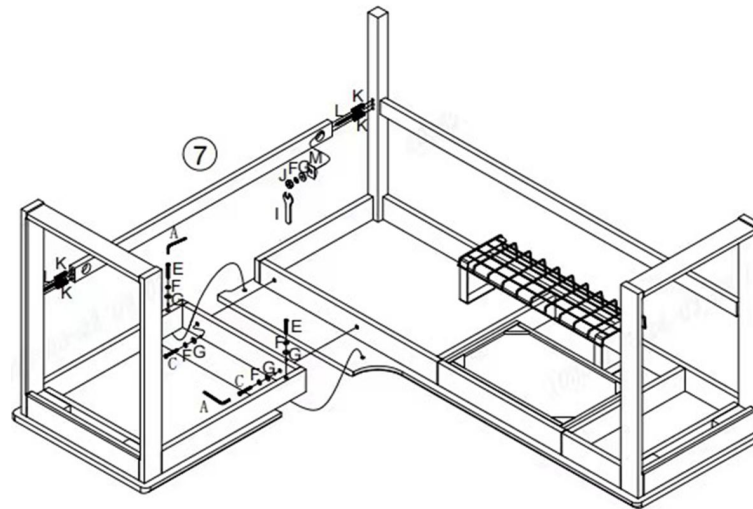


A: Hex key 5#=1	B: Hex key 4#=1	C: screw M8*30=10	D: screw M8*55=4	E: screw M8*65=2	F: Spring washer ø8=22	G: Flat gasket 14*8=18	H: Flat gasket 16*8=4
I: Open end wrench 1#B=1	J: nut M8=6	K: Wood dowel 4*10=8	L: Double lead screw M8*80=4	M: Lune M8=4	N: screw M6*15=4		

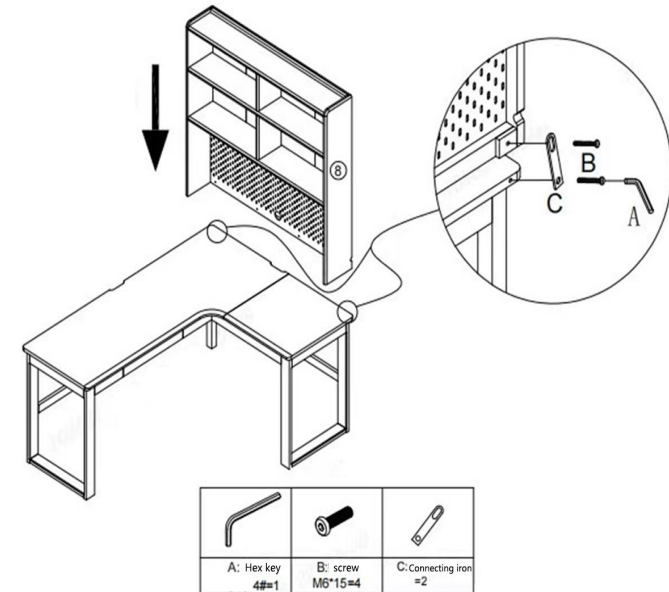
Step 1: Assemble the table legs, Lower transverse plate and Wire organizer.
Assemble in order of component position and hardware.



Step 2: Assemble the small table top and the lower side plate according to the positions of the parts, corresponding holes and hardware sequence



Step 3: Straighten the table top and place the shelf on the table top. At the back of the shelf and the table top, use the connecting iron and corresponding hardware to connect the shelf and the table top



A: Hex key 4#=1	B: screw M6*15=4	C: Connecting iron =2