

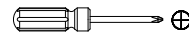
ASSEMBLY INSTRUCTIONS

ASSEMBLY
REQUIREMENTS

2-Person
Assembly

2 Hours
Assembly Time
(Approximate)

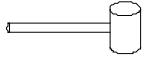
Tools Required
(Not Provided)



Phillips Screwdriver



Flat Screwdriver

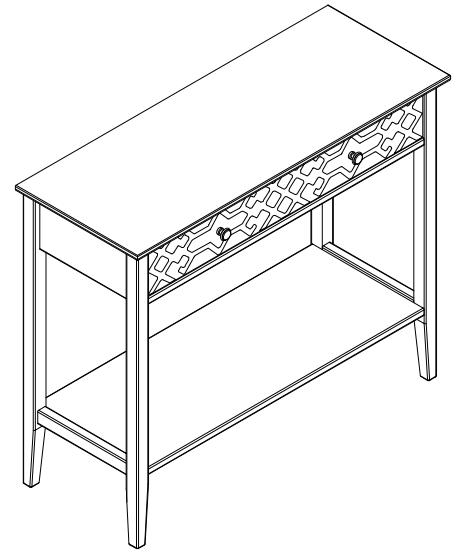


Mallet

Thank you for purchasing our product!

Please refer and use this assembly instruction to assemble the product. Contact our customer service department in case there are any missing or damage parts or hardware. Replacement parts are normally shipped within 2 or 3 days.

We appreciate your business!



ASSEMBLY PREPARATION

1. Remove all packaging materials, staples and packing straps from the carton.
2. Refer to Parts List and Hardware List, and ensure parts and hardware are correct before assembly. Contact customer service for missing parts.
3. Place all wooden parts on a clean, flat and soft surface (e.g. carpet or rug) to prevent scratch and damage to parts.

SAFETY PRECAUTION

1. KEEP ALL HARDWARE PARTS OUT OF REACH OF CHILDREN.
2. DISPOSE PLASTIC PACKAGING MATERIAL IMMEDIATELY TO AVOID ANY RISK OF SUFFOCATION TO CHILDREN AND ANIMALS.

TIPS FOR ASSEMBLY

1. Allow ample room for assembly and in close proximity to where product will be placed.
2. Assemble the product on a surface that does not scratch or damage the exterior gloss and finish of the furniture.
3. Identify all of the parts, hardware and quantities required for each step.
4. During assembly, do not over-tighten any fittings as this may cause damage.
5. DO NOT USE POWER TOOLS TO ASSEMBLE THIS PRODUCT.
6. Always place the product on a flat, level surface.
7. Do not sit or stand on the partially assembled product; only use the product for which it is intended.

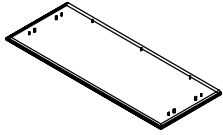
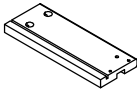
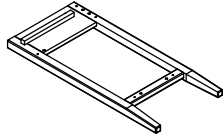
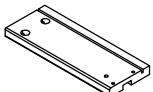
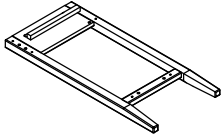
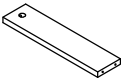
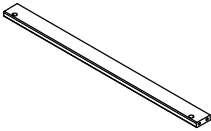
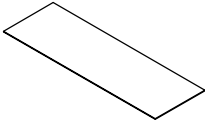
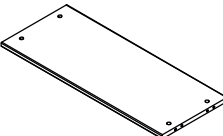
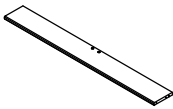
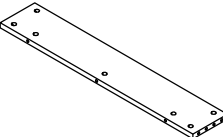
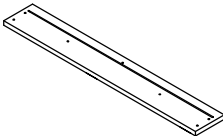
CARE AND MAINTENANCE

- Use a slightly damp cloth to clean the product. Do not use bleach or abrasive cleaning material.
- Check all the fittings periodically and re-tighten as necessary. Do not use the product if any of the parts is damaged or broken.
- Never allow any kind of liquid to remain on your furniture. Absorption can cause wood to warp or delaminate.
- Do not place hot items (e.g. hot drinks) directly onto the wood surface.
- Do not drag and/or pull the furniture.

This product is for indoor and household use only - not for commercial use.

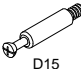









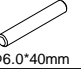



ASSEMBLY INSTRUCTIONS

Parts List

ITEM	DESCRIPTION	PART	QTY	ITEM	DESCRIPTION	PART	QTY
1	Top Panel		1pc	8	Drawer Left Panel		1pcs
2	Left Frame		1pcs	9	Drawer Right Panel		1pcs
3	Right Frame		1pcs	10	Drawer Bottom Support Rail		1pcs
4	Front Support Rail		1pcs	11	Drawer Bottom Panel		1pcs
5	Bottom Shelf		1pcs	12	Drawer Back Panel		1pcs
6	Back Panel		1pcs				
7	Drawer Front Panel		1pcs				

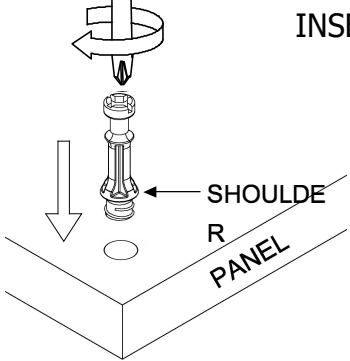
ASSEMBLY INSTRUCTIONS

Hardware List

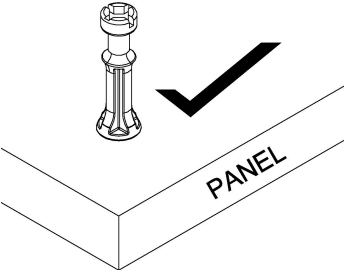
ITEM	DESCRIPTION	HARDWARE	QTY	ITEM	DESCRIPTION	HARDWARE	QTY
A	Cam-bolt (Long)	 D15	21pcs	H	Screw	 Φ3.5*25mm	2pcs
B	Cam-lock (Large)	 D15	21pcs	I	Handle		2pcs
C	Cam-bolt (Short)	 D12	1pcs	J	Handle Screw		2pcs
D	Cam-lock (Small)	 D12	1pcs	K	Strap		1pcs
E	Wood Dowel (Short)	 Φ8.0*30mm	14pcs	L	Screw	 Φ3.5*15mm	1pcs
F	Wood Dowel (Long)	 Φ6.0*40mm	4pcs	M	Wall Anchor		1pcs
G	Screw	 Φ3.5*30mm	5pcs	N	Washer		2pcs

INSTRUCTION FOR CAM-BOLT & CAM-LOCK

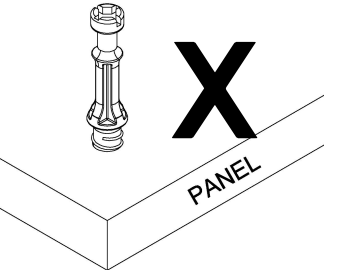
INSERTING AND TIGHTENING CAM-BOLT



Place Cam-bolt on pre-drilled hole and screw in vertically



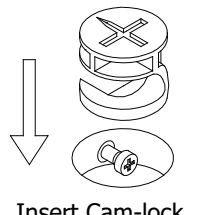
Shoulder is flushed (on the same level) with the panel.



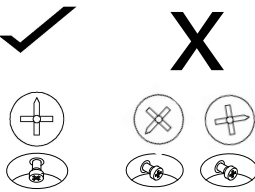
Shoulder is above the panel.

Place Cam-bolt on the designated pre-drilled hole on the panel. Use a Phillips Screwdriver to screw-in Cam-bolt vertically until shoulder is flushed (on the same level) with panel.

INSERTING CAM-LOCK



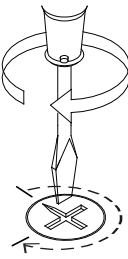
Insert Cam-lock with arrow align to Cam-bolt head



CORRECT **WRONG**

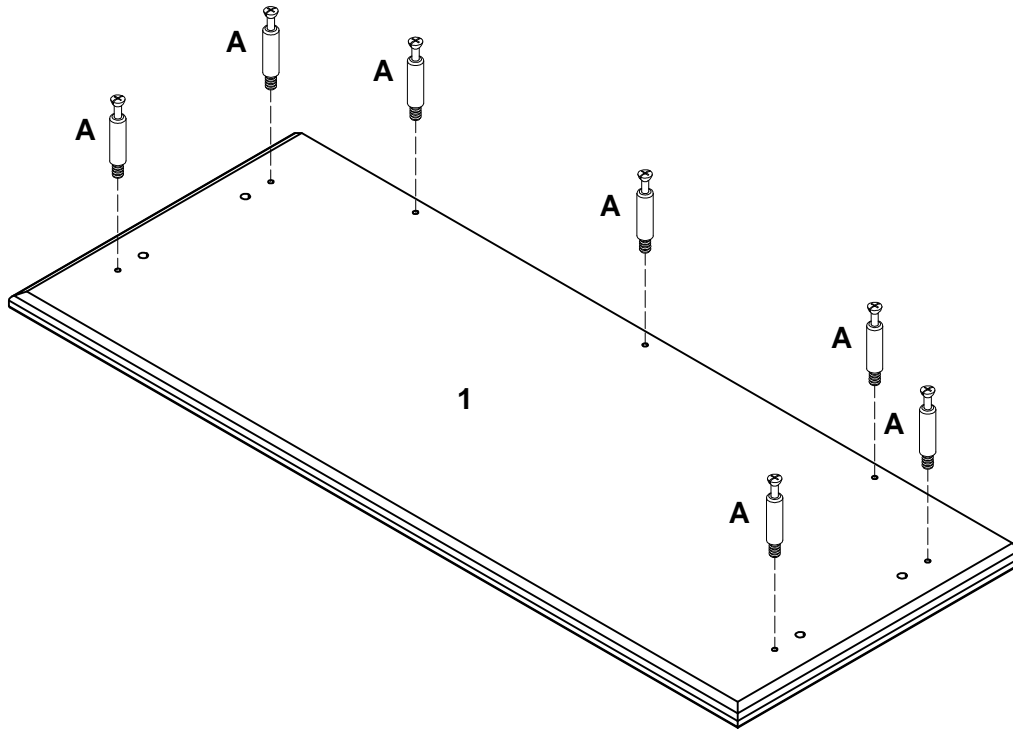
Align the arrow on the Cam-lock to the Cam-bolt head and insert the Cam-lock. Ensure Cam-lock is fully inserted.

TIGHTENING CAM-LOCK



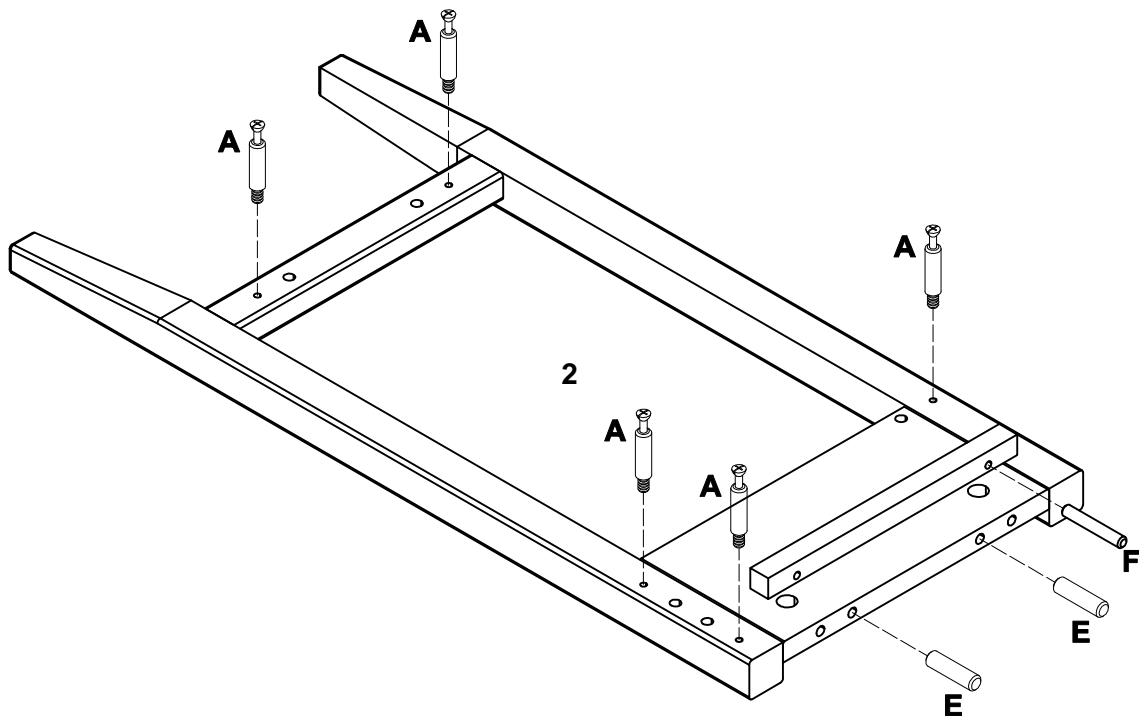
Use a Flat-head Screwdriver to turn Cam-lock clockwise so it locks onto the head of the Cam-bolt. Turn until it is snug (about 3/4ths of a turn) -- over-tightening could damage Cam-lock or/and Cam-bolt.

STEP 1



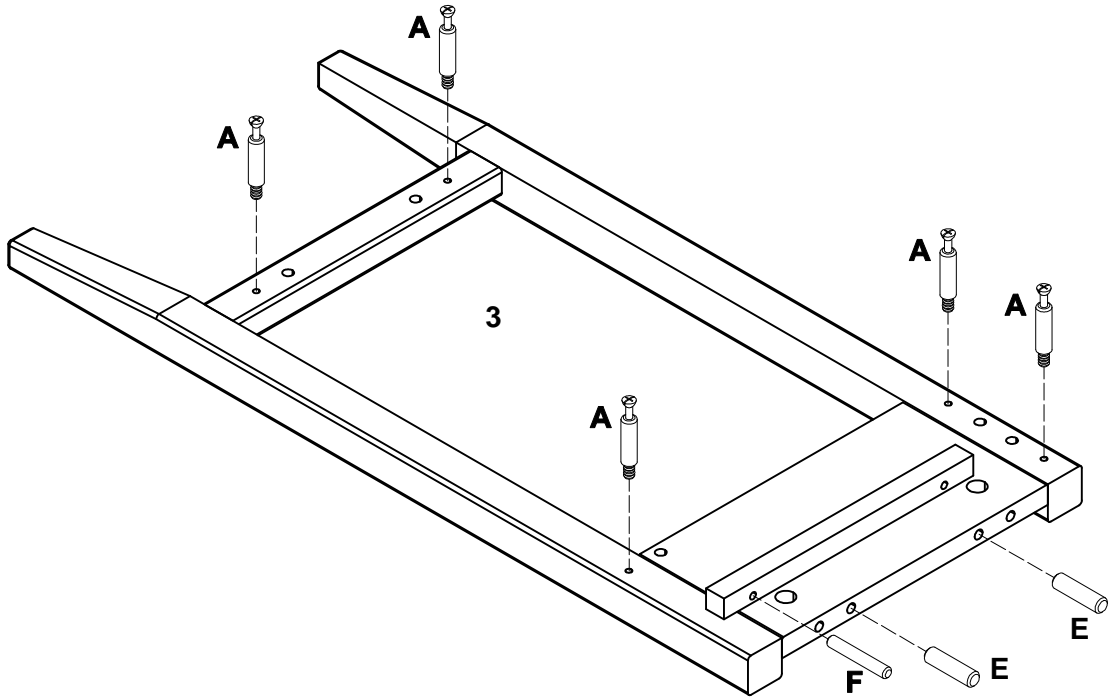
Lay Top Panel (1) flat down with the bottom-side facing up on a material that does not scratch or damage the part and screw in long Cam-bolt (A) into the designated holes as shown. Refer to Page 3 for instructions to screw in and tighten cam-bolt.

STEP 2



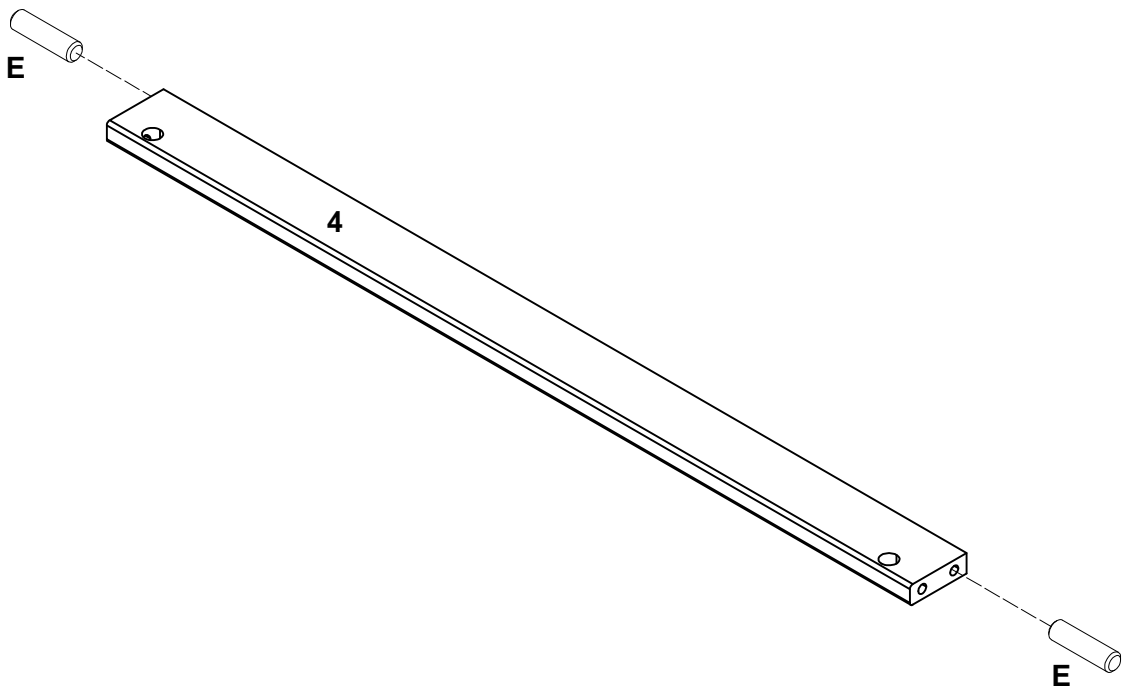
- Lay Left Frame (2) flat down with the interior-side facing up on a material that does not scratch or damage the part and screw in long Cam-bolt (A) into the designated holes as shown.
- Insert short Wood Dowel (E) and long Wood Dowel (F) into the respective designated holes on top edge of (2).

STEP 3



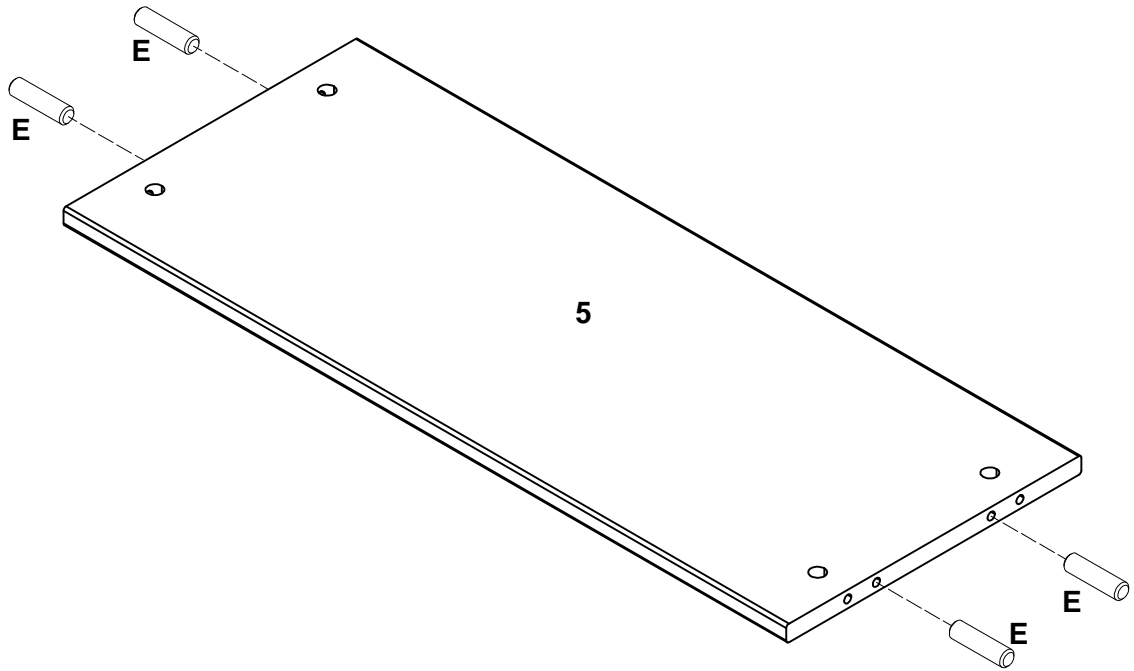
- a) Lay Right Frame (2) flat down with the interior-side facing up on a material that does not scratch or damage the part and screw in long Cam-bolt (A) into the designated holes as shown.
- b) Insert short Wood Dowel (E) and long Wood Dowel (F) into the respective designated holes on top edge of (3).

STEP 4



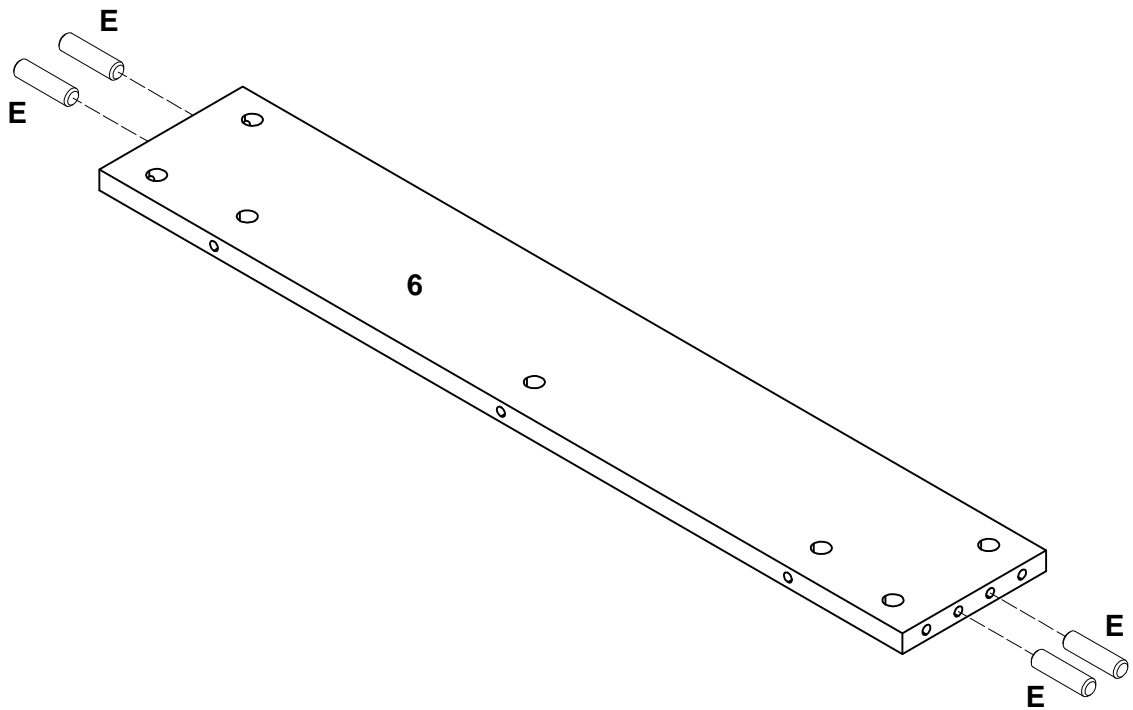
Orientate and lay Front Support Rail (4) as shown and insert short Wood Dowel (E) into the designated hole at each end of Front Support Rail.

STEP 5



- a) Lay Bottom Shelf (5) flat down with the bottom-side facing up on a material that does not scratch or damage the part and insert short Wood Dowel (E) into the designated holes at each end of (5).
-

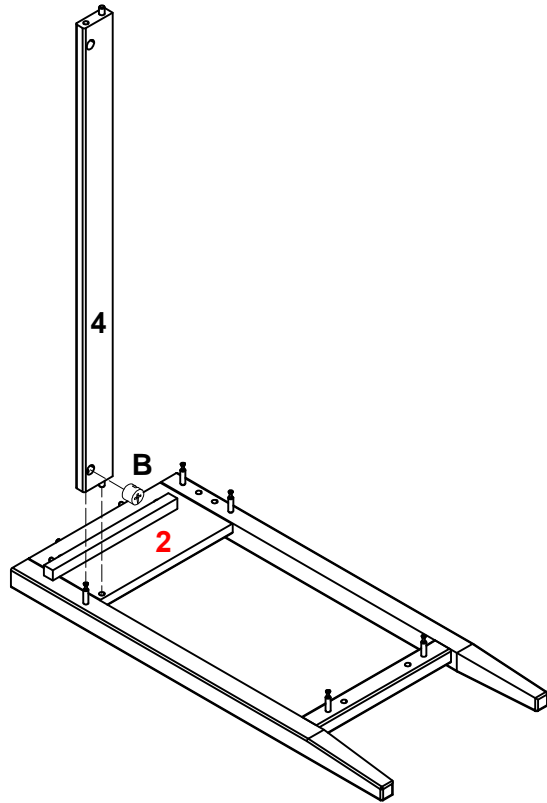
STEP 6



Orientate and lay Back Panel (6) as shown and insert short Wood Dowel (E) into the designated hole at each end of (6).

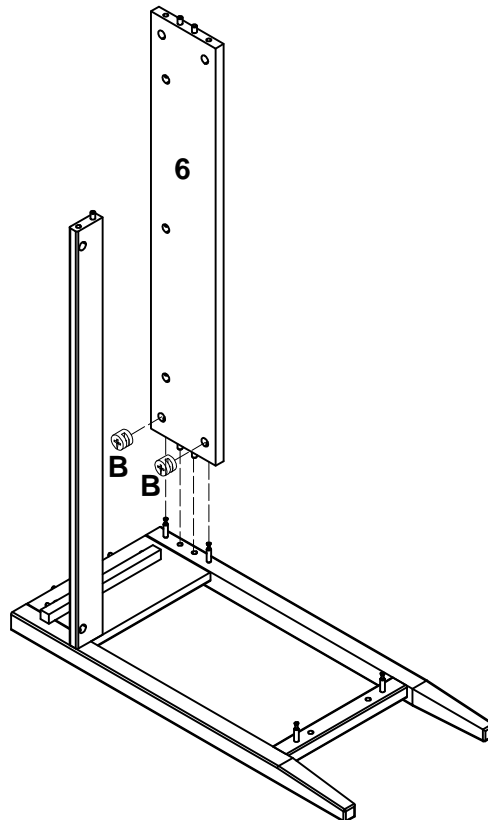
STEP 7

- a) Attach Front Support Rail (4) from STEP 4 to Left Frame (2) from STEP 2 as shown.
- b) Insert large Cam-Lock (B) into designated hole on (4) and turn right to lock onto cam-bolt on (2). Refer to Page 3 for instructions on inserting and tightening cam-lock.



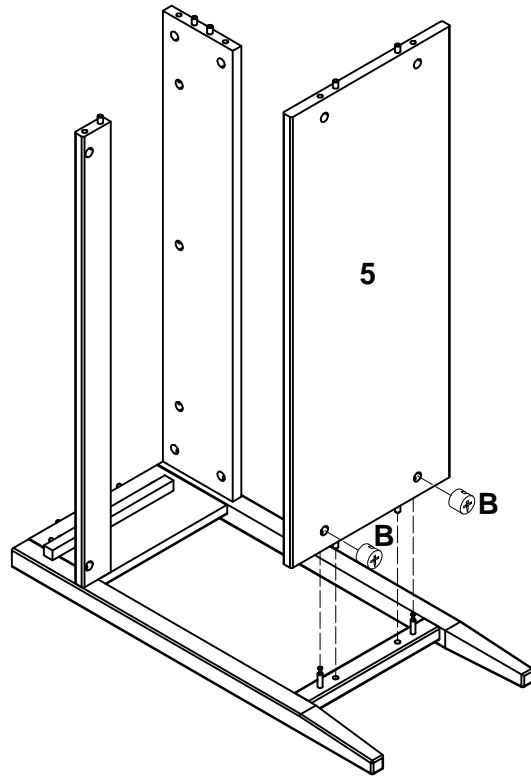
STEP 8

- a) Attach Back Panel (6) from STEP 6 to Left Frame (2) as shown - note the surface with holes for cam-locks faces inwards.
- b) Insert large Cam-Lock (B) into designated hole on (6) and turn right to lock onto cam-bolt on (2).



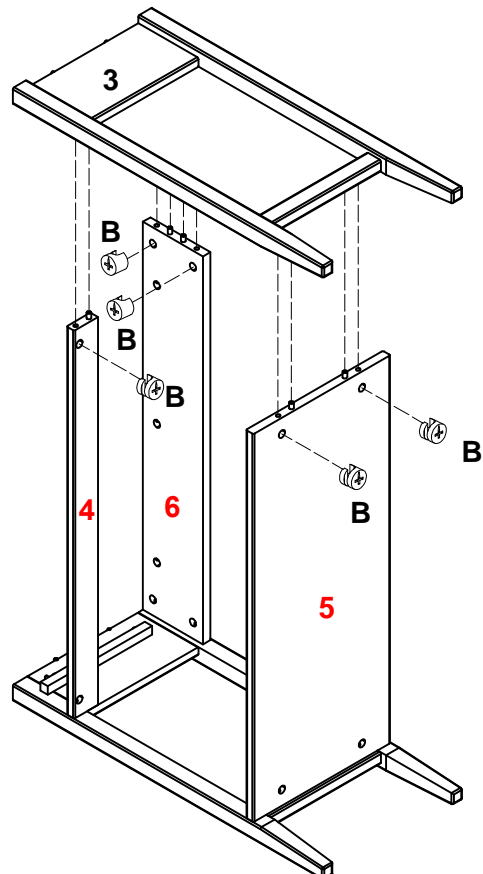
STEP 9

- a) Attach Bottom Shelf (5) from STEP 5 to Left Frame (2) as shown - note the surface with holes for cam-locks faces outwards.
- b) Insert large Cam-Lock (B) into designated hole on (5) and turn right to lock onto cam-bolt on (2).



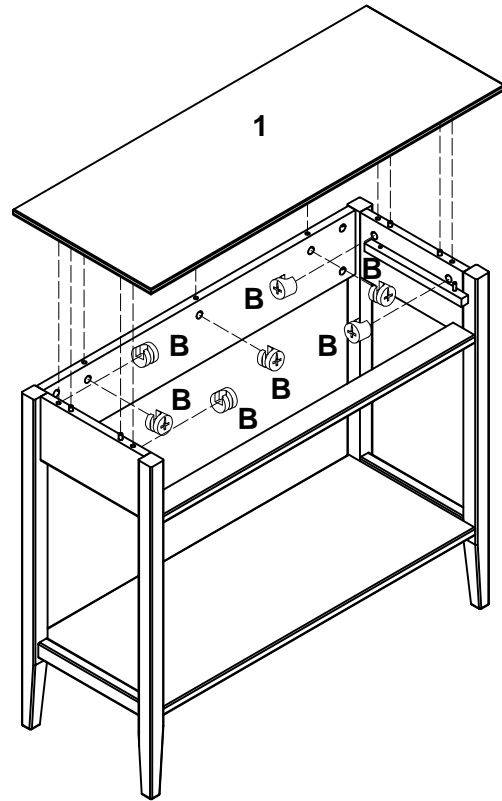
STEP 10

- a) Attach Right Frame (3) from STEP 3 to Front Support Rail (4), Bottom Shelf (5) and Back Panel (6) as shown.
- b) Insert large Cam-lock (B) into designated hole on (4, 5 & 6) and turn right to lock onto cam-bolt on (3).
- c) Set the assembly right-side up.

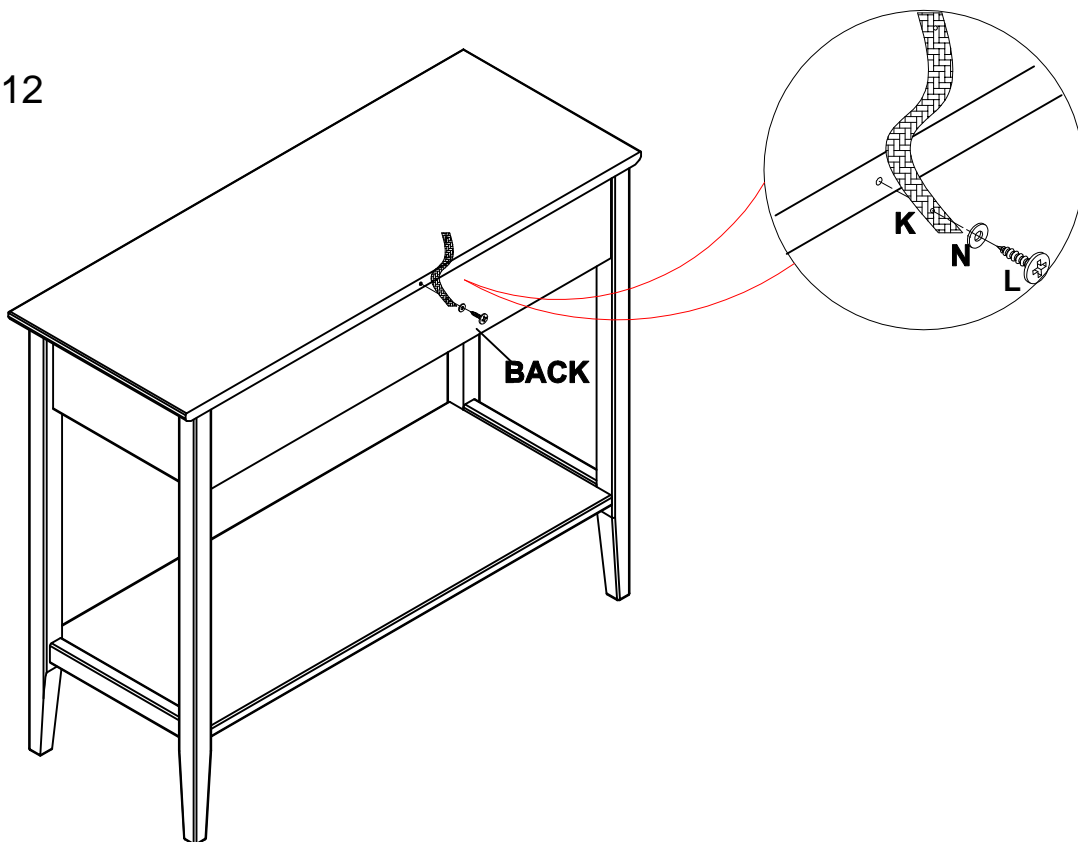


STEP 11

- a) Attach Top Panel (1) from STEP 1 to Left Frame, Back Panel and Right Panel via cam-bolts on (1).
- b) Insert large Cam-lock (B) into designated hole on Left Frame, Back Panel and Right Panel and turn right to lock onto cam-bolt on (1).

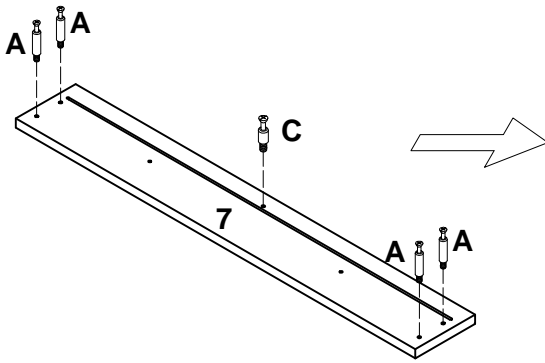


STEP 12

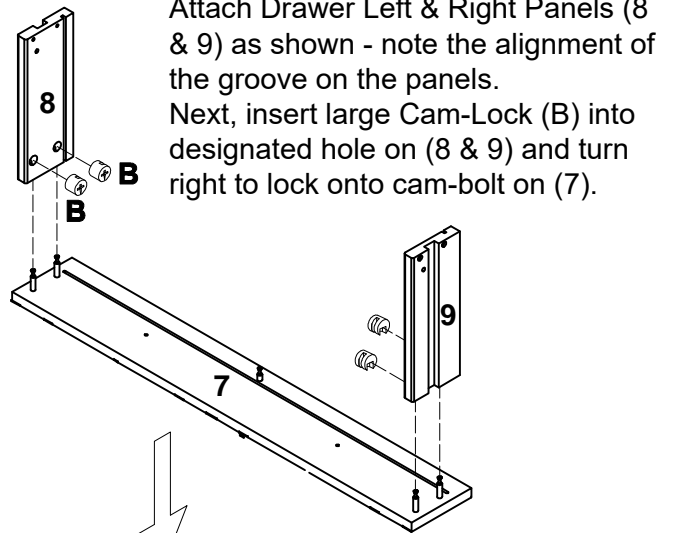


Fasten Strap (K) to back edge of Top Panel (1) with Screw (L) fitted with Flat Washer (N).

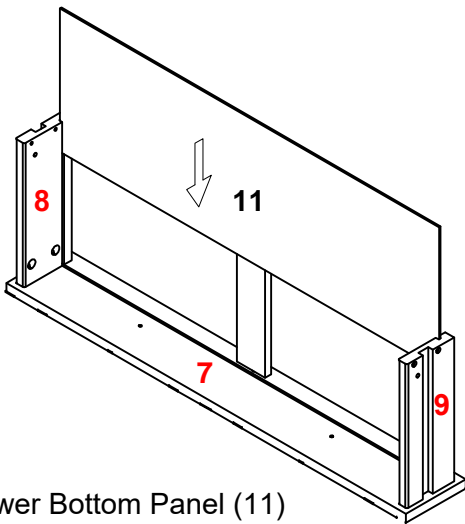
STEP 13 - ASSEMBLE DRAWER



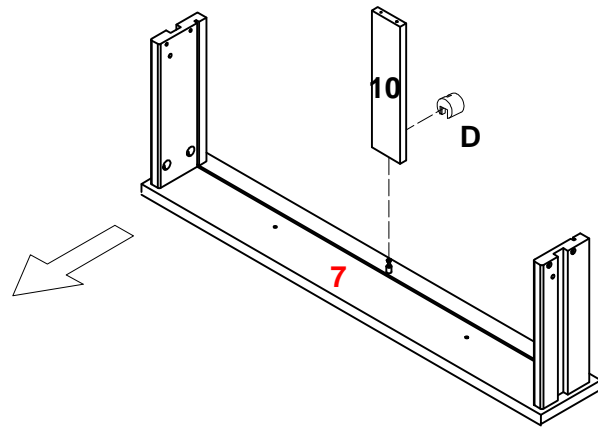
Lay Drawer Front Panel (7) bottom-side facing up on a material that does not scratch or damage the part and screw in short Cam-bolt (A) into the designated holes as shown.



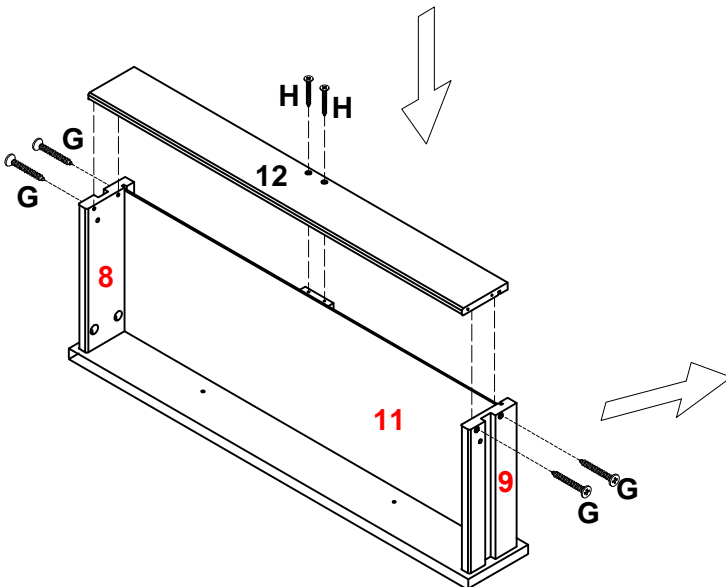
Attach Drawer Left & Right Panels (8 & 9) as shown - note the alignment of the groove on the panels. Next, insert large Cam-Lock (B) into designated hole on (8 & 9) and turn right to lock onto cam-bolt on (7).



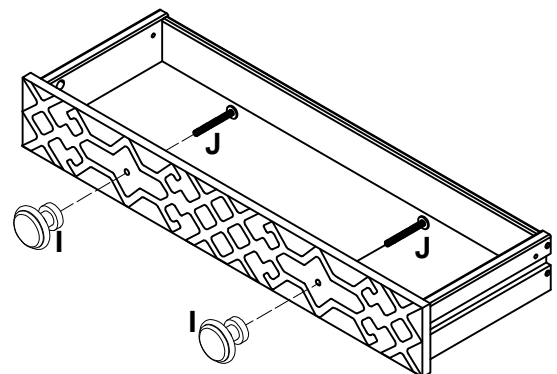
Fit Drawer Bottom Panel (11) via groove on (7, 8 & 9).



Attach Drawer Bottom Support Rail (10) to (7). Next, insert small Cam-Lock (D) into designated hole on (10) and turn right to lock onto cam-bolt on (7).



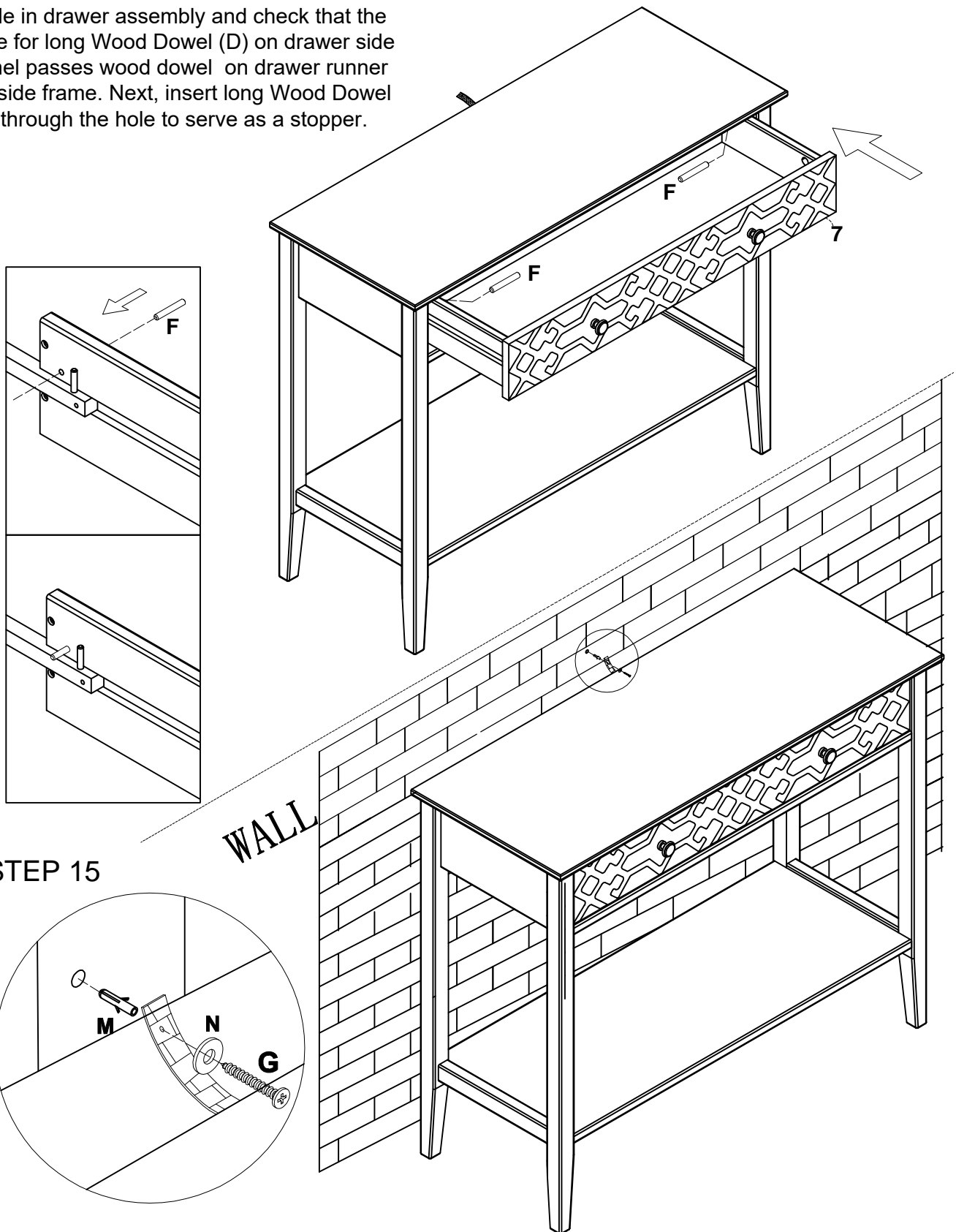
Fit Drawer Back Panel (12) between (8 & 9) and check that the top edge of (11) fits into the groove on bottom-side of (12). Next, use Screw (H) to fasten (12) to Bottom Support Rail (10) and use Screw (G) to fasten (12) to (8, 9).



Affix Handle (I) to Drawer Front Panel with Handle Screw (J). Use a Phillips Screwdriver to drive (J).

STEP 14

Slide in drawer assembly and check that the hole for long Wood Dowel (D) on drawer side panel passes wood dowel on drawer runner on side frame. Next, insert long Wood Dowel (F) through the hole to serve as a stopper.



STEP 15

- Select the location to place the console table.
- Mark location on wall to fasten Strap (K) and drill a hole in the wall to fit Wall Anchor (M).
- Use a mallet/hammer to tap (M) into wall. Ensure the anchor fits securely in the wall.
- Fasten Strap (K) to Wall Anchor in the wall with Screw (G) fitted with Flat Washer (N).

The assembly of the Console Table is complete.