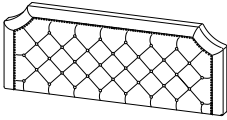
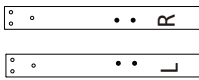

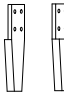
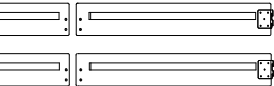


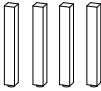

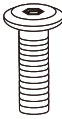
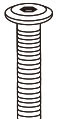
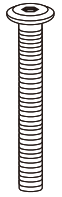
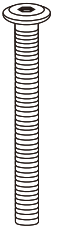







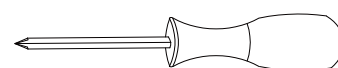
QUEEN BED

Components

-  **A** X 1 pc
-  **B** X 1 set
-  **C** X 1 pc
-  **D** X 2 pcs
-  **E** X 2 sets
-  **F** X 2 pcs
-  **G** X 2 pcs
-  **H** X 4 pcs
-  **I** X 2 pcs

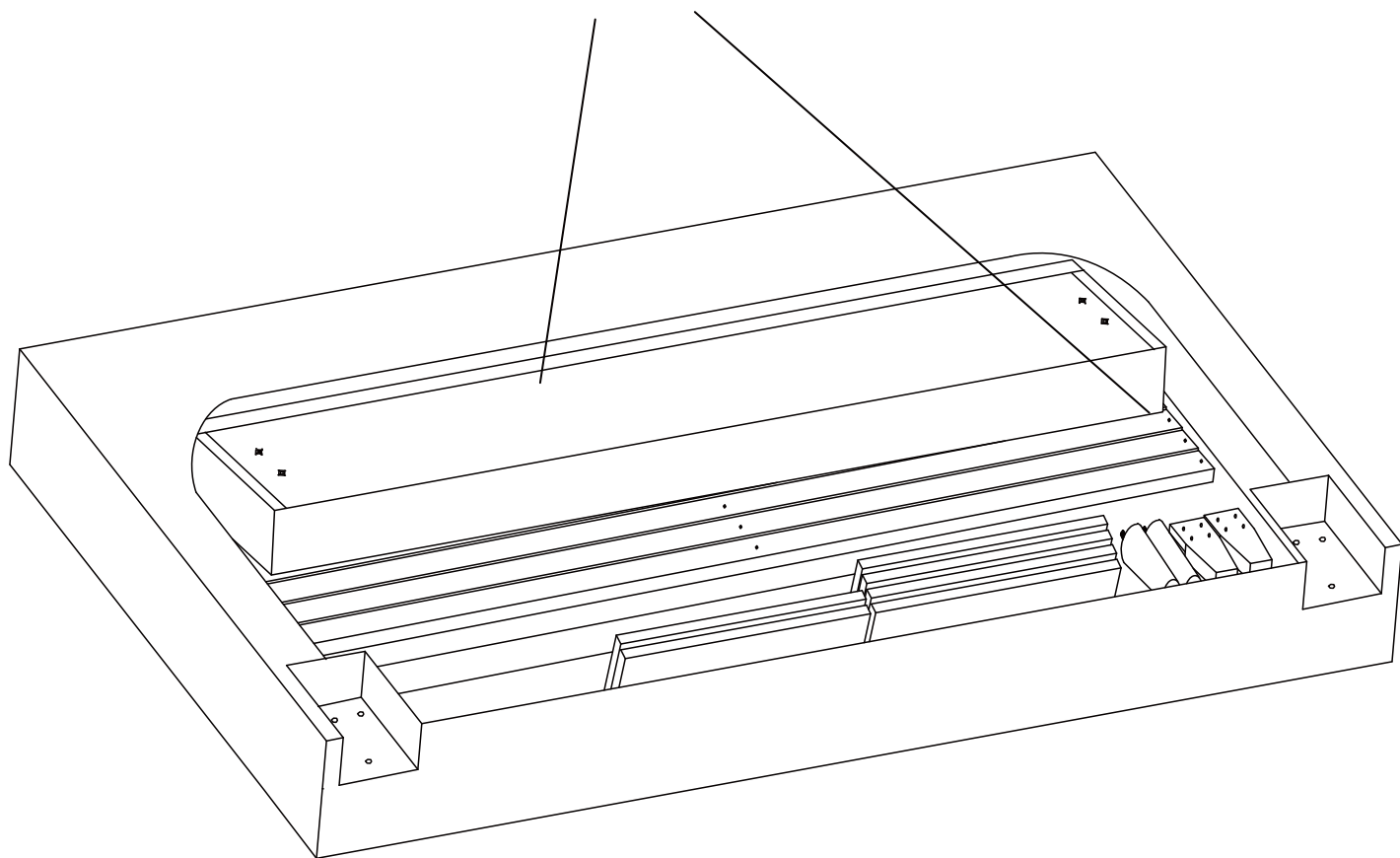
Hardware

-  **J**
M8X20
8 pcs
-  **K**
M6X25
8 pcs
-  **L**
M6X50
6 pcs
-  **M**
M6X60
4 pcs
-  **N**
M4X32
8 pcs
-  **O**
M6
14 pcs
-  **P**
M6
14 pcs
-  **Q**
M4
1 pc
-  **R**
M5
1 pc

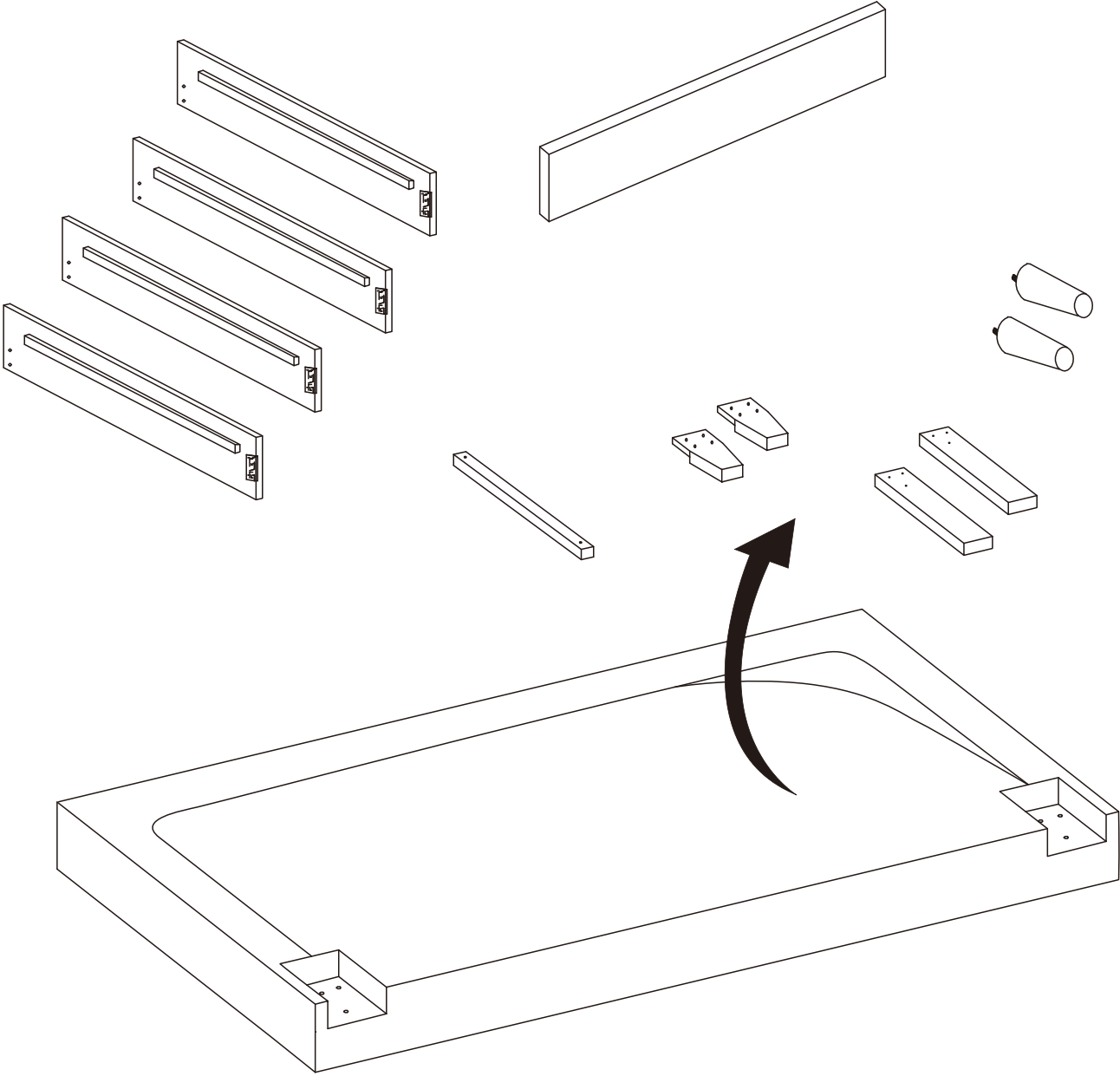


PHILLIPS SCREWDRIVER
REQUIRED
(NOT INCLUDED)

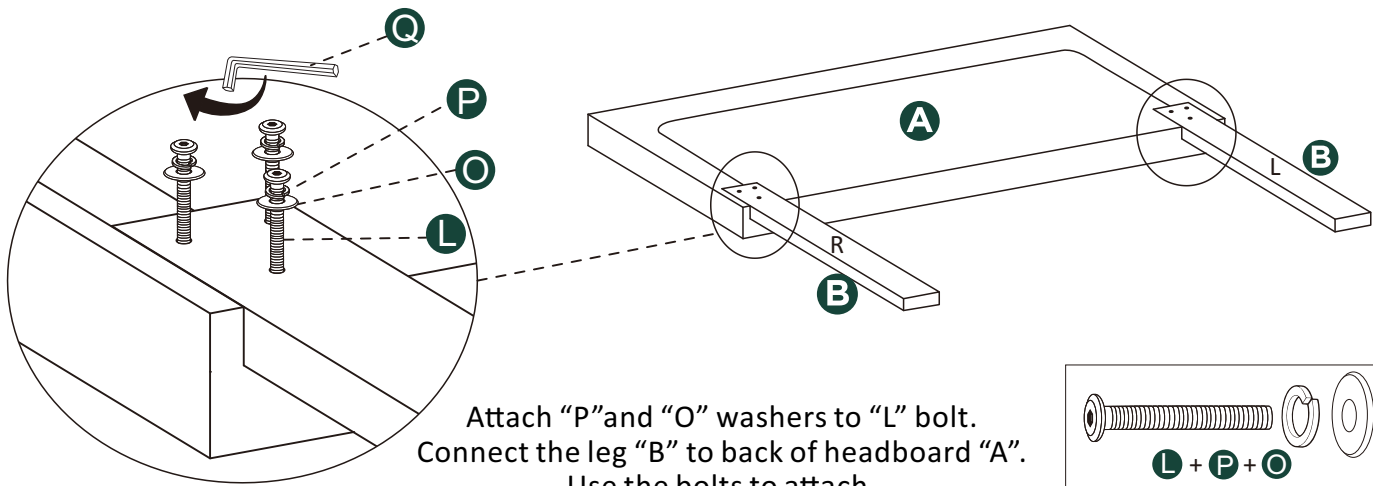
Parts are inside the headboard
in the compartment located
on the back of the headboard



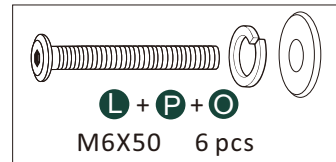
Remove parts from headboard compartment



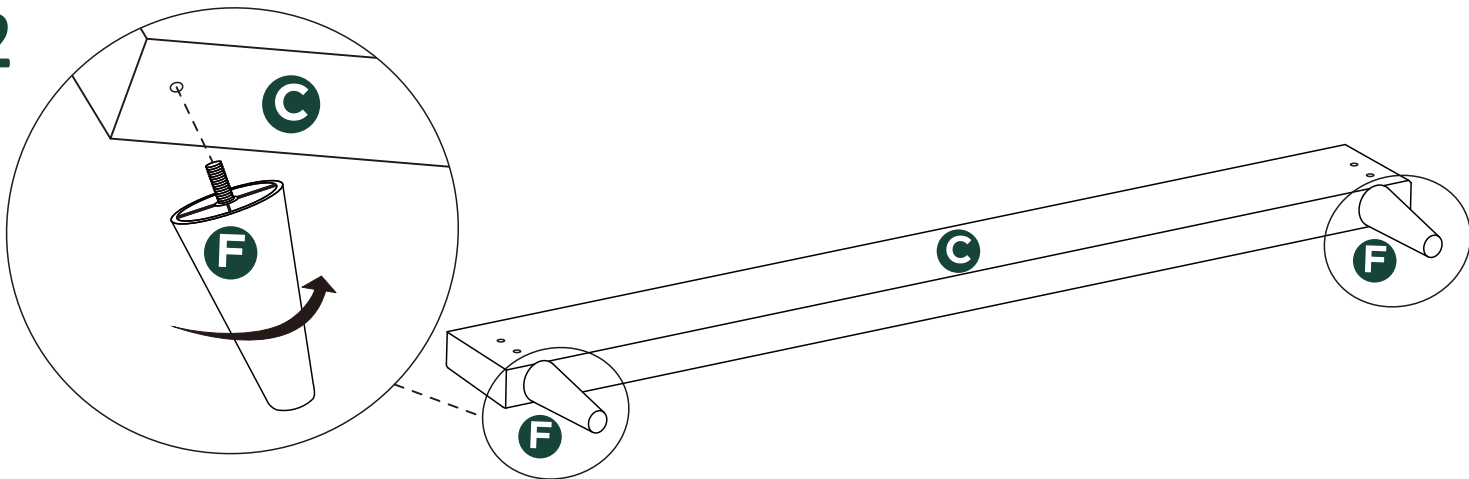
1



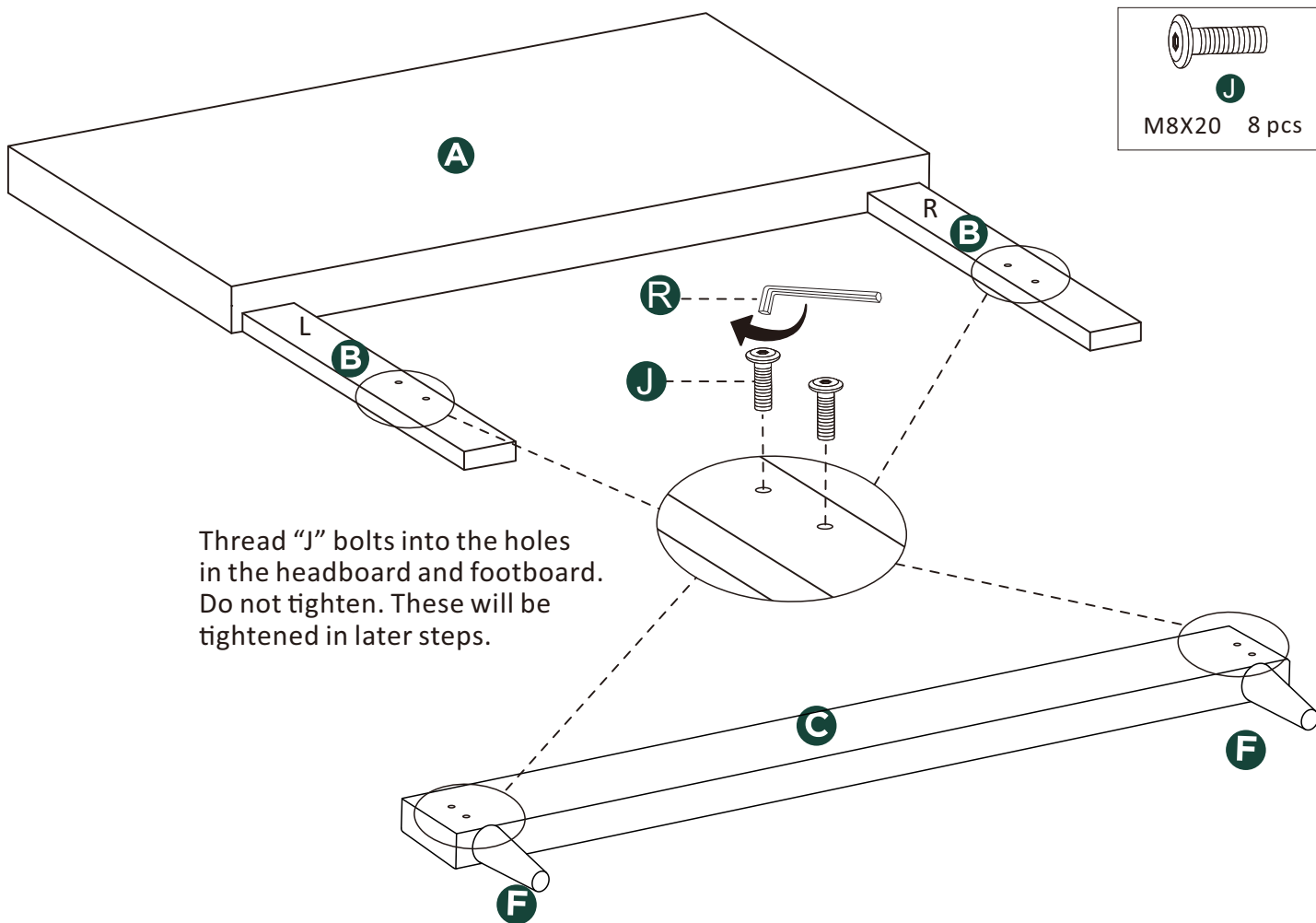
Attach "P" and "O" washers to "L" bolt.
Connect the leg "B" to back of headboard "A".
Use the bolts to attach.



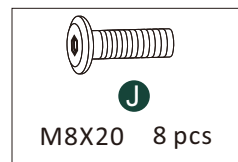
2



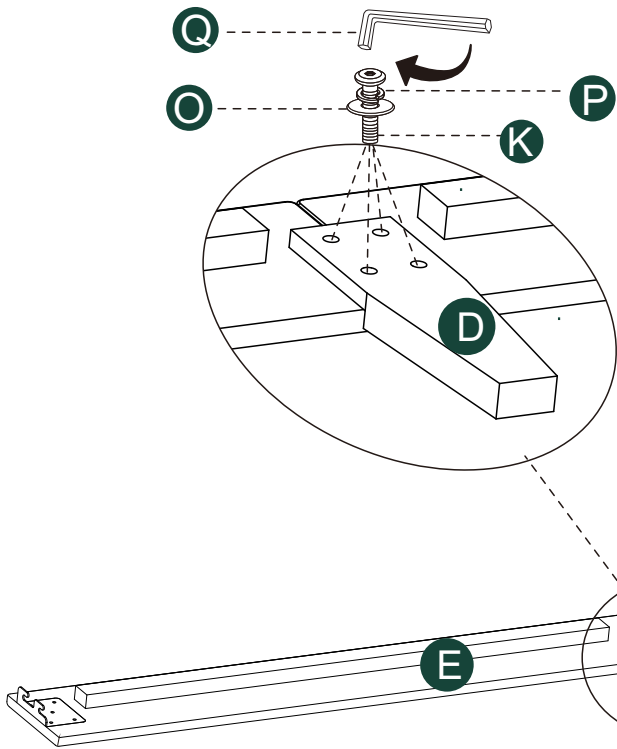
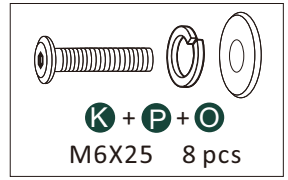
3



Thread "J" bolts into the holes
in the headboard and footboard.
Do not tighten. These will be
tightened in later steps.

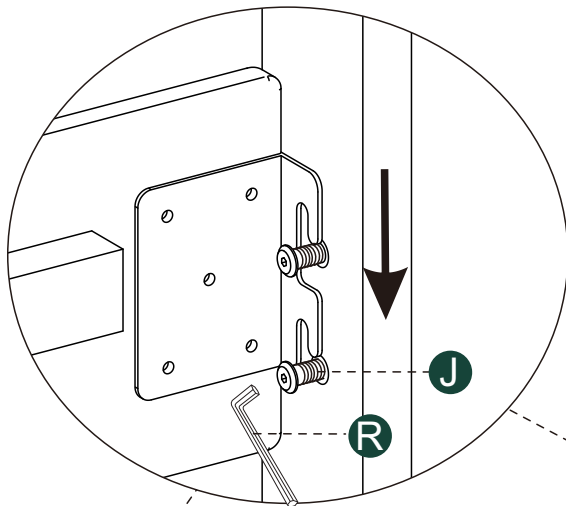


4

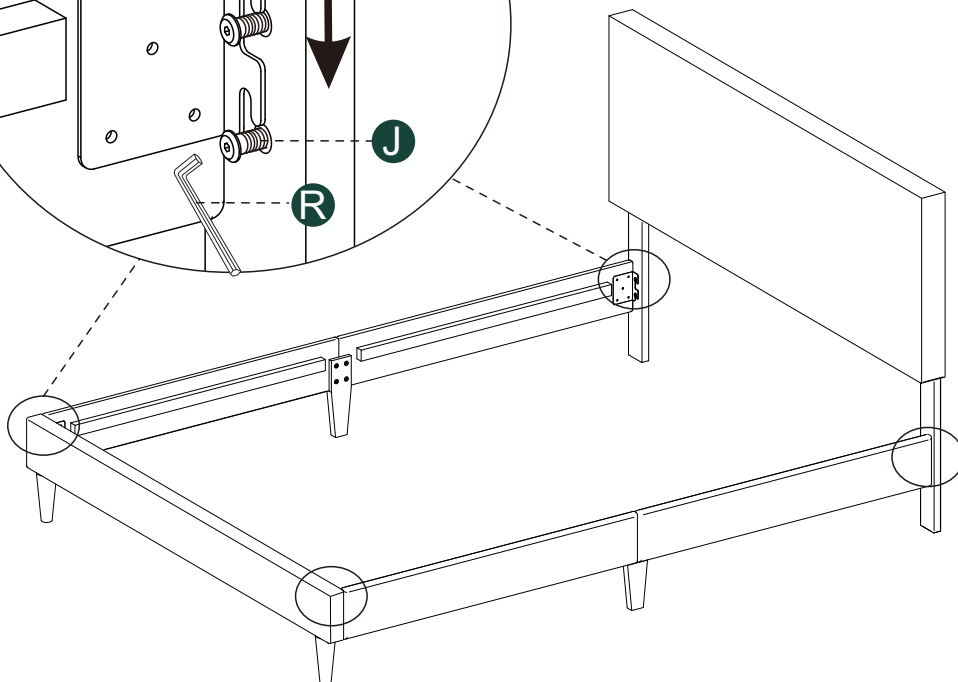


Attach "P" and "O" washers to "K" bolt.
Connect the top and bottom of
each side rail with a "D" side leg.
Use the bolts to attach.

5

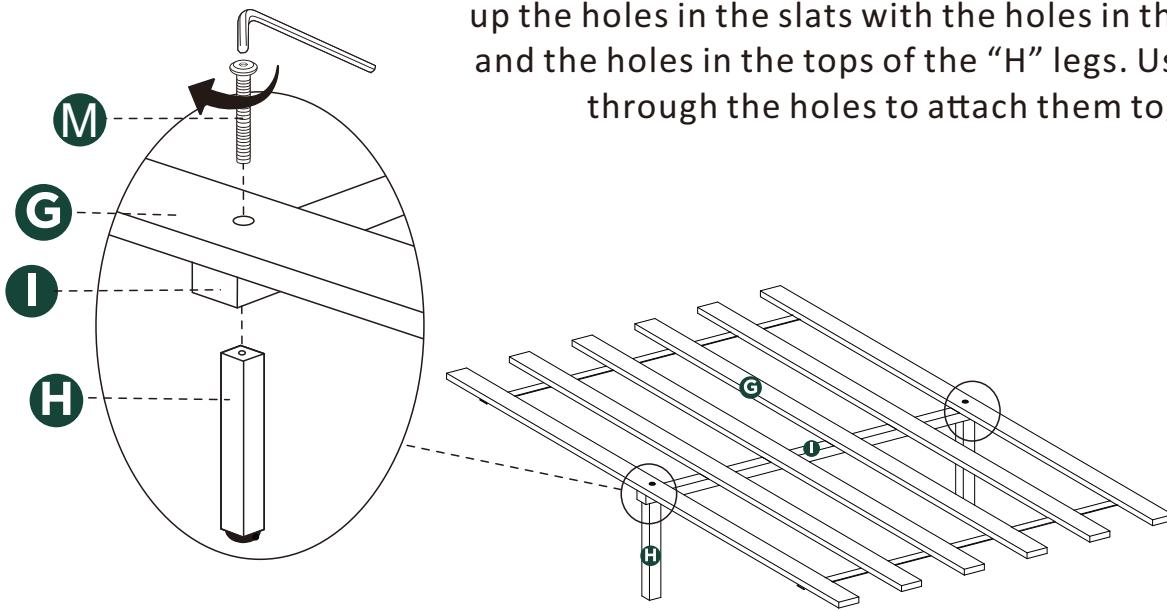


Hang the hooks at the ends of the side rails
onto the "J" bolts in the headboard leg and
the footboard. Tighten the "J" bolt so the
rails are secure.

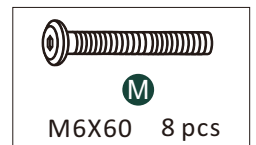


6

Assemble the slat system by attaching the slats to the "I" supports and "H" legs. First, extend the slats. Then, line up the holes in the slats with the holes in the "I" supports and the holes in the tops of the "H" legs. Use an "M" bolt through the holes to attach them together.

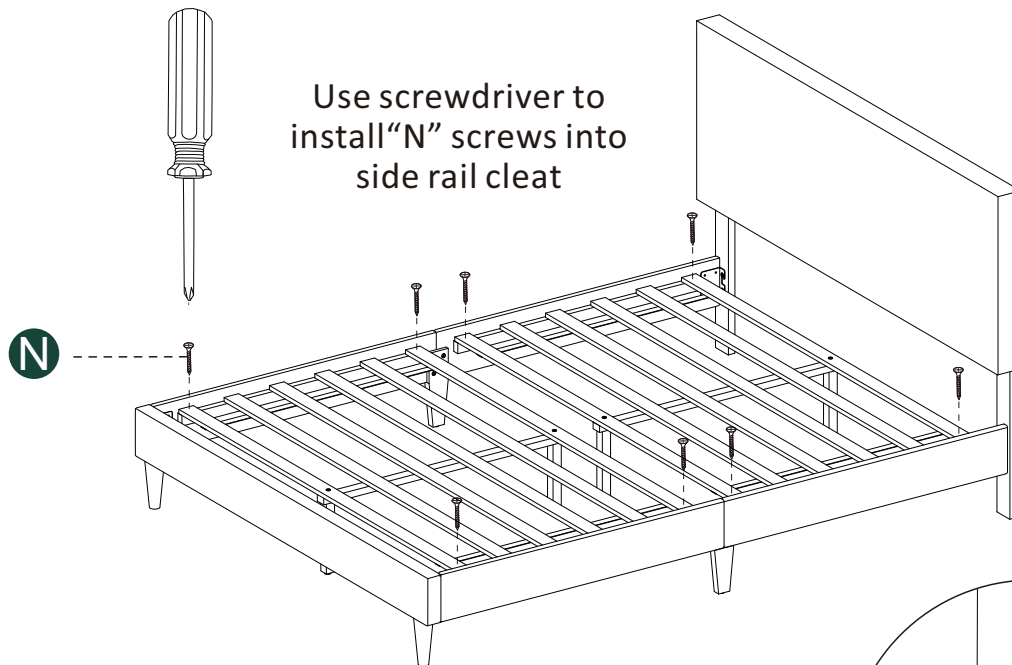


After the slat system is assembled, place the slats into the frame of the bed as shown below.



7

Use screwdriver to install "N" screws into side rail cleat



Finally, adjust slat leveling feet to touch floor

