

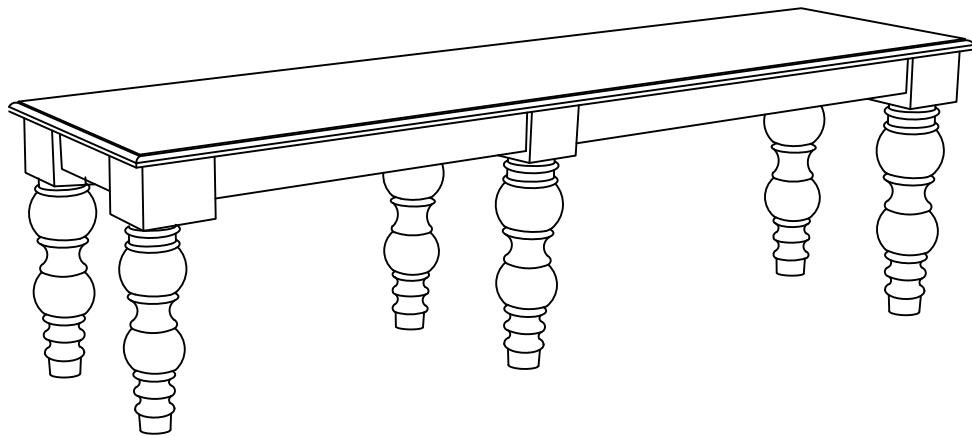
ASSEMBLY INSTRUCTIONS

CL-BE002

70"x16"x18" - MANGO 70" DINING BENCH WITH TURNED LEGS.

BEFORE BEGINNING:

- 1 - Carefully unpack and position the items on a clean, non-marring surface to assemble.
- 2 - Read this Assembly Instruction from beginning to end before starting assemble.
- 3 - Take inventory of the required parts to ensure all are available.
- 4 - To prevent accidental choking hazards, keep all packing materials away from small children.
- 5 - Only tighten hardware until all hardware are fully engaged on their locations. Over tighten bolts will damage the bolts threads.
- 6 - Use only factory provided hardware to assemble. Unapproved hardware can damage product or jeopardize the structural integrity of the product.



Assembly Requires
Two People.



20 - Minute
Assembly Time



Keep Instructions
For Future Use



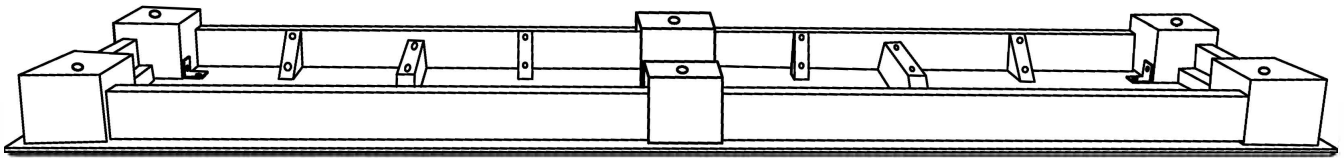
Do Not Use
Power Tools

ASSEMBLY INSTRUCTIONS

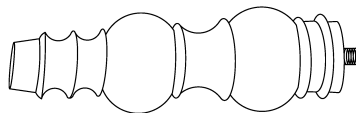
CL-BE002

70"x16"x18" - MANGO 70" DINING BENCH WITH TURNED LEGS.

PARTS LIST



P1 - x1



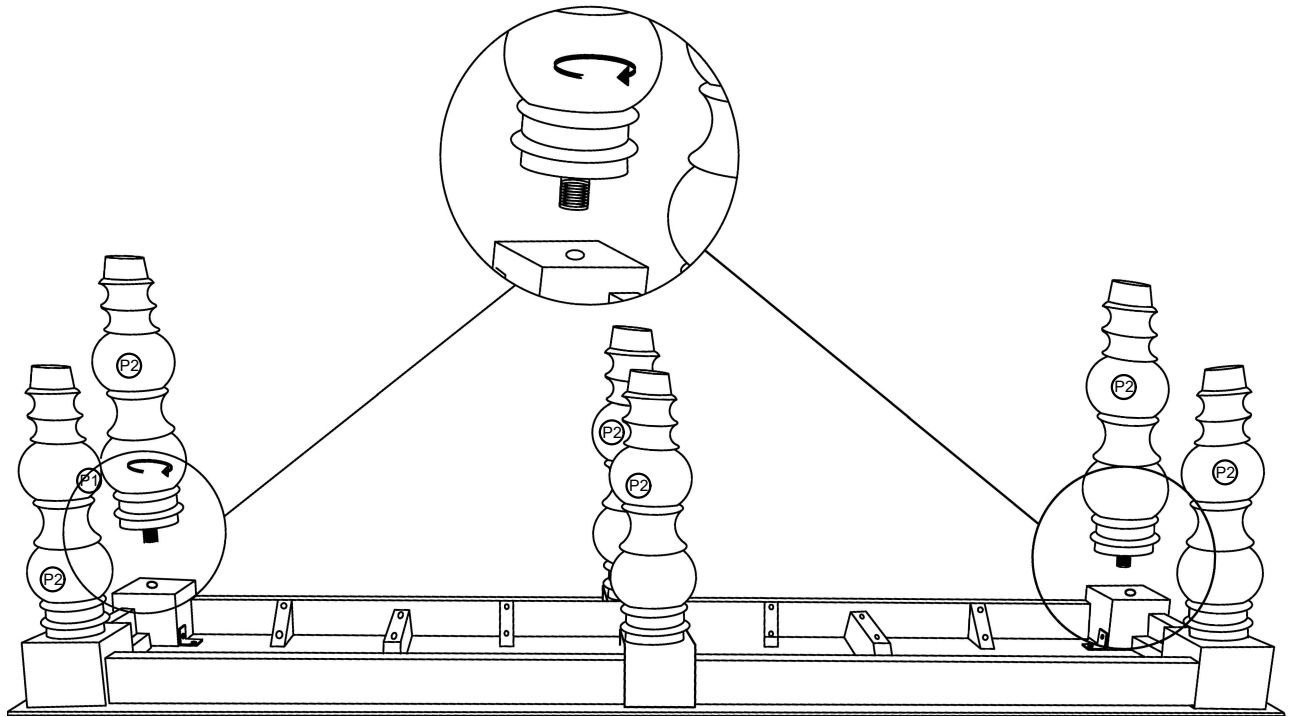
P2 - x6

ASSEMBLY INSTRUCTIONS

CL-BE002

70"x16"x18" - MANGO 70" DINING BENCH WITH TURNED LEGS.

STEP 1



STEP 2

