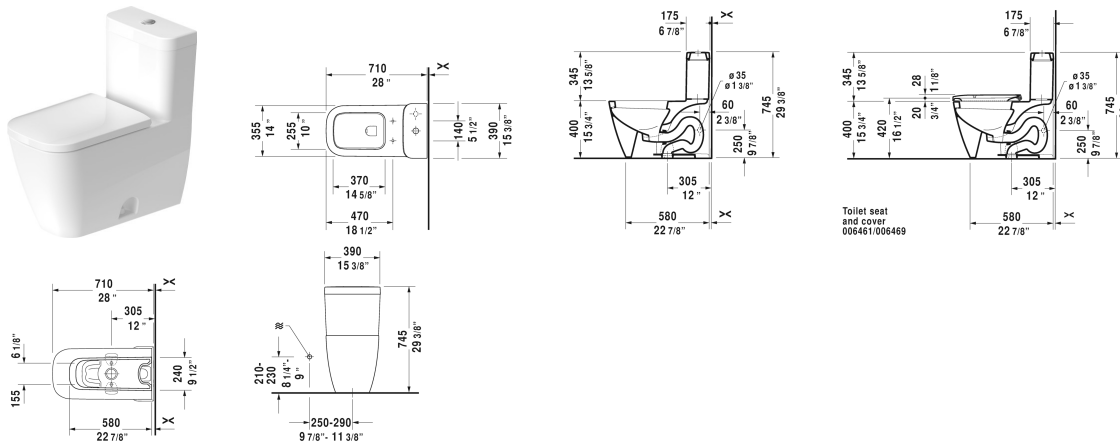


Happy D.2 One-Piece toilet # 212101..01 / 212101..01

| < 15 3/8" Inch > |



One-Piece toilet	Dimension	Weight	Order number
syphonic, 12" rough-in, with dual flush piston valve, top flush, vertical outlet, cUPC® listed*, WaterSense® listed, 1.32/0.92 gpf			
Colors			
00 White 20 HygieneGlaze (an antibacterial ceramic glaze that provides almost indefinite effectiveness)			
Variant			
●	15 3/8" x 28" Inch	126 lb	212101..01
●	15 3/8" x 28" Inch	126 lb	212101..01
Infobox			
* Complies with following standards: ASME A112.19.2/CSA B45.1 and ASME A112.19.14			
Sanitary ceramics with the special WonderGliss surface finish will remain clean and attractive-looking for a long time to come. When ordering WonderGliss please add a "1" as eleventh digit to the model number.			
Mounting set for One-Piece and Two-Piece toilets, outlet 3/8" - male thread, wall connection 1/2" - female thread, 1/2", North American version	15" Inch	1.1 lb	001431
Suitable products			
Toilet seat and cover hinges stainless steel, elongated, removable, without slow close,			006461
Toilet seat and cover hinges stainless steel, elongated, with slow close,			006469

Happy D.2 One-Piece toilet # 212101..01 / 212101..01

|< 15 3/8" Inch >|

All drawings contain the necessary measurements which are subject to standard tolerances. They are stated in inch & mm and are non-binding. Exact measurements, in particular for customized installation scenarios, can only be taken from the finished ceramic piece.