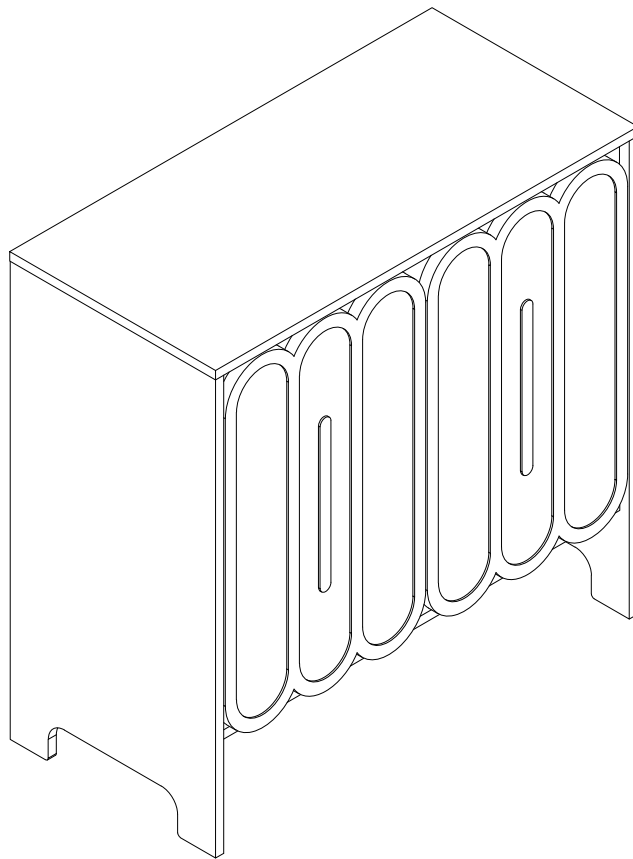


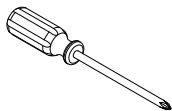
Installation Instruction



Assembling

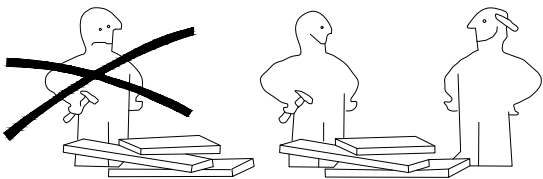
What you need

- Use the packaging carton as a working surface to prevent product damage during assembly
- Phillips head screwdriver



Weight Limitation


100 | **35**
 lbs table top lbs per

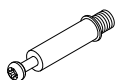


What' included

Code	Description	Qty
A	Cam Bolt M6X35MM	14
B	Cam Lock 15X9MM	14
C	Wooden Dowel M8X30MM	10
D	Screw M4X40MM	2
E	Screw M3.5X14MM	2
F	Screw M3.5X14MM	28
G	Shelf Holder	4
H	The back button	4
I	Shelf Holder	12
J	Door panel hinge	4
K	Shelf Holder	2
L	Metal shake handshandle	2
M	Plank sticker	14
O	Screw M3.5X12MM	8

The Hardwares

A



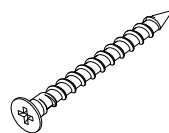
B



C



D



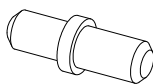
E



F



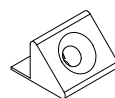
G



H



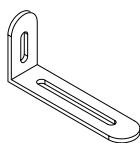
I



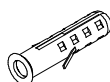
J



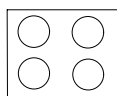
K



L



M



O



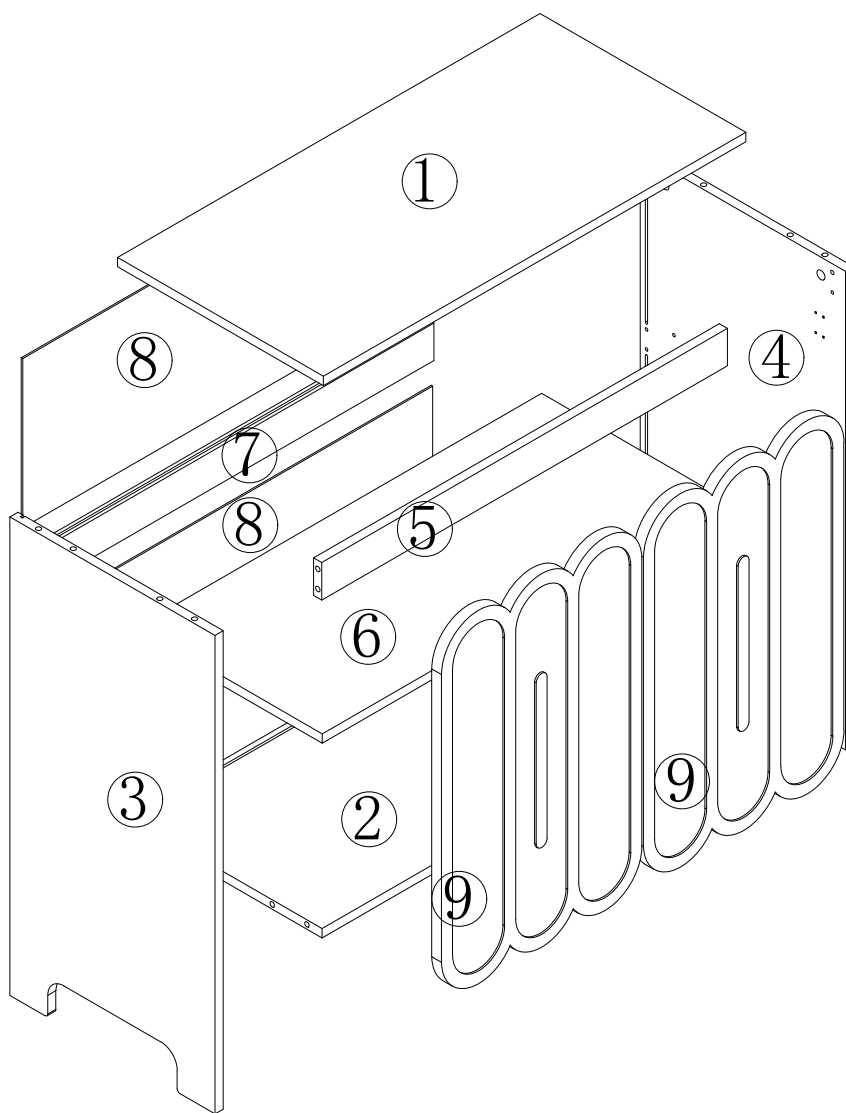
IMPORTANT:

1. Do not tighten bolts / screws completely until all bolts / screws are lined up and inserted into holes.
2. Do not over tighten screws and bolts to avoid stripping
3. Please use hand tools to assemble this product, you can also use power tools (please use power tools carefully).

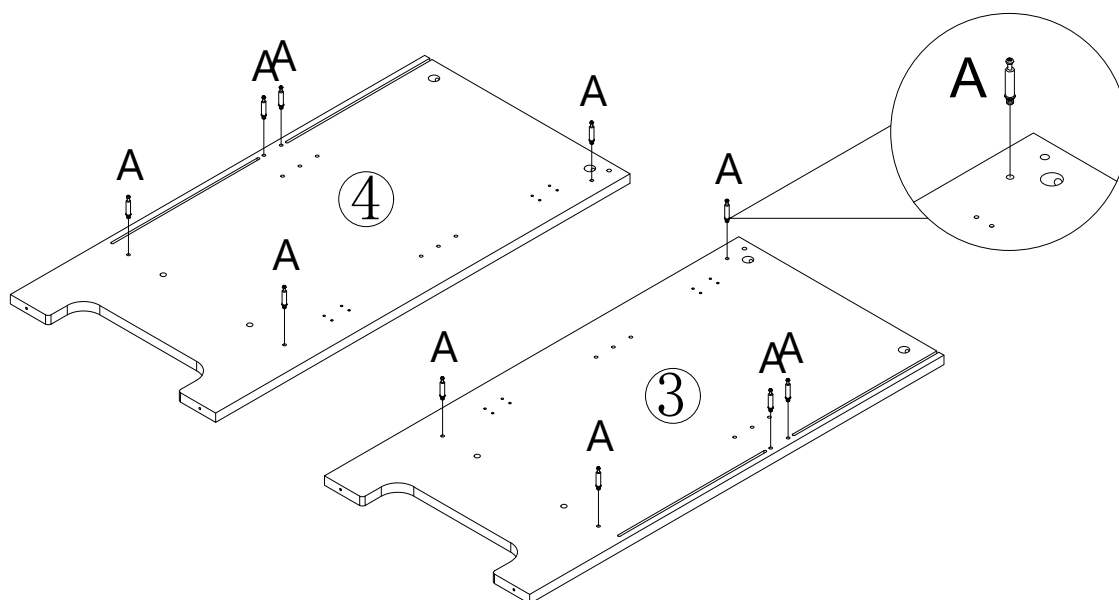
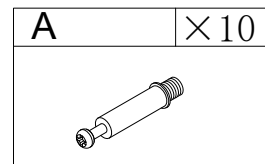
Included Accessories

Code	Description	Qty
1	Cabinet panel	1
2	Bottom Panel	1
3	Left Side Panel	1
4	Right Side Panel	1
5	Front pull plate	1
6	Movable pressure plate	1
7	Back pull plate	1
8	Backboard	2
9	Door plank	2

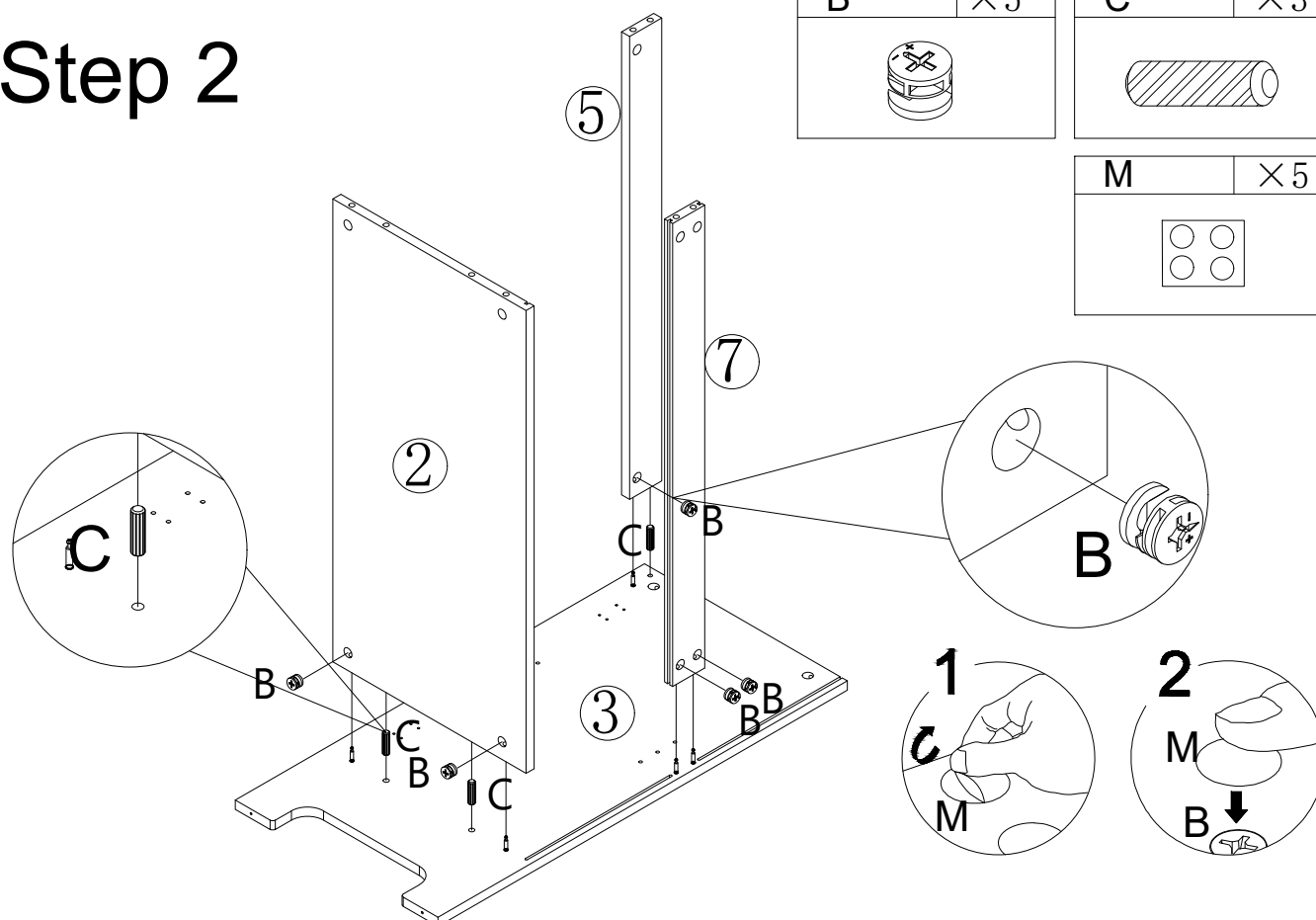
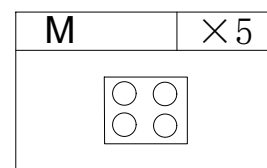
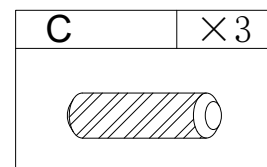
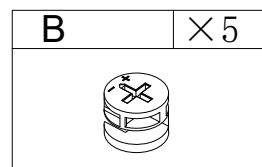
The Accessoriess



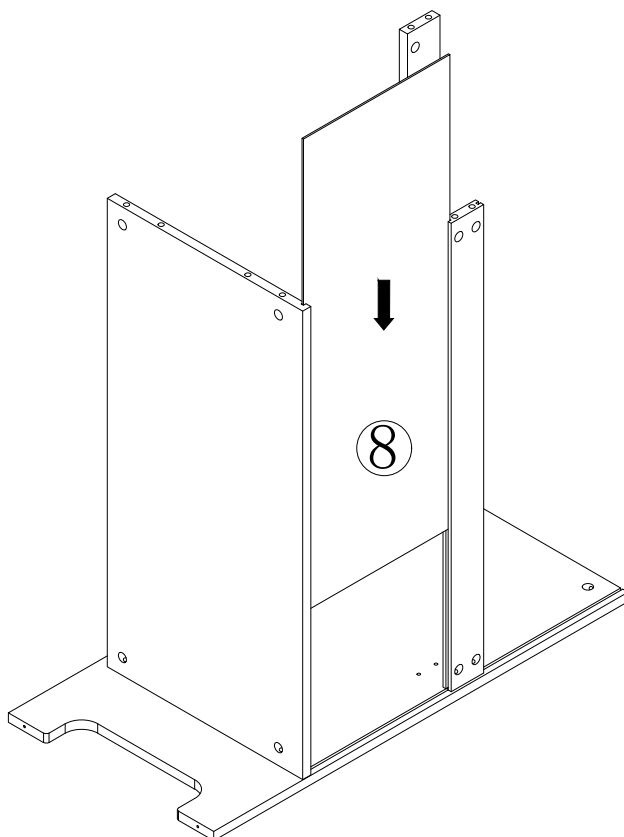
Step 1



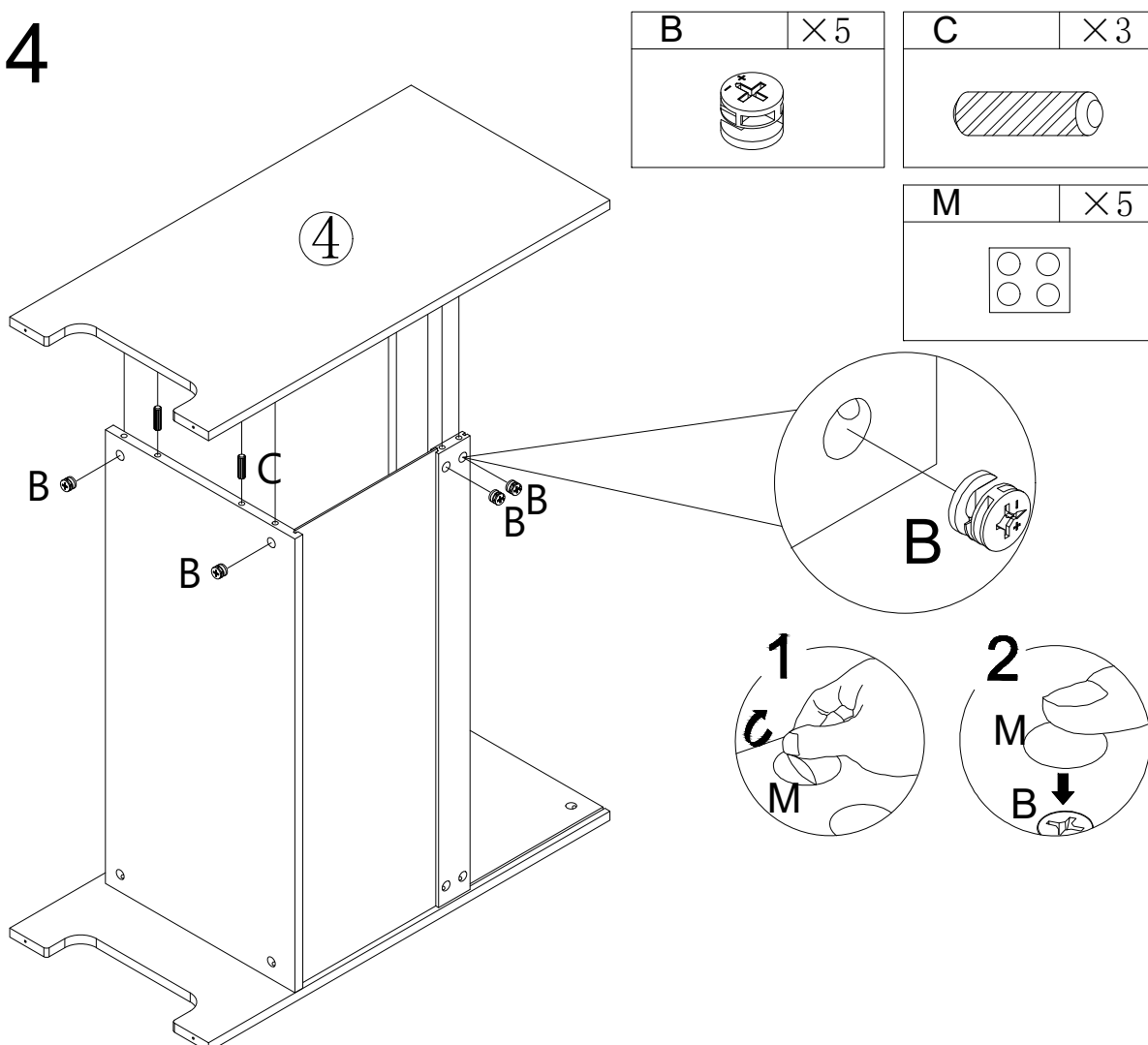
Step 2



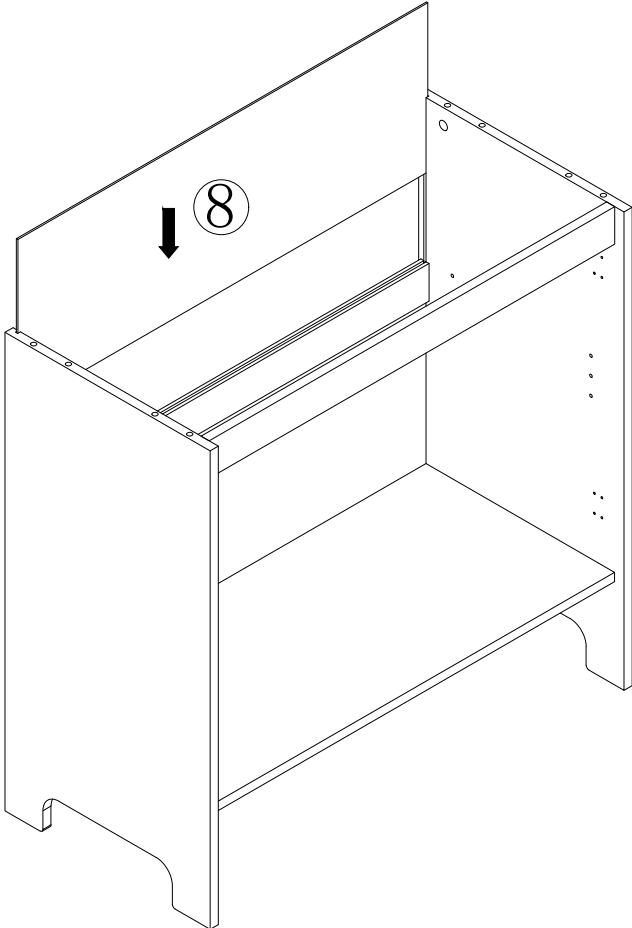
Step 3



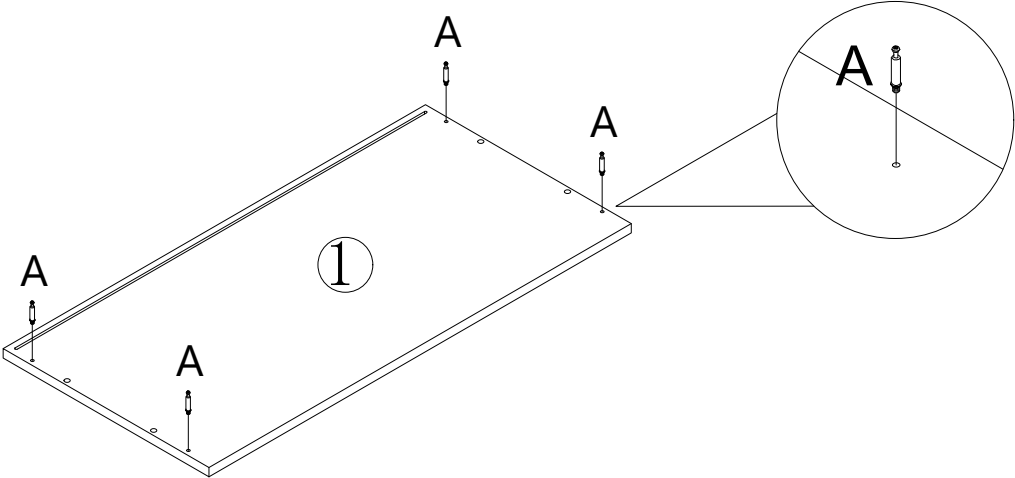
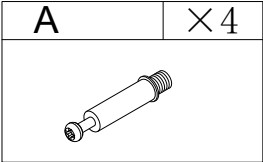
Step 4



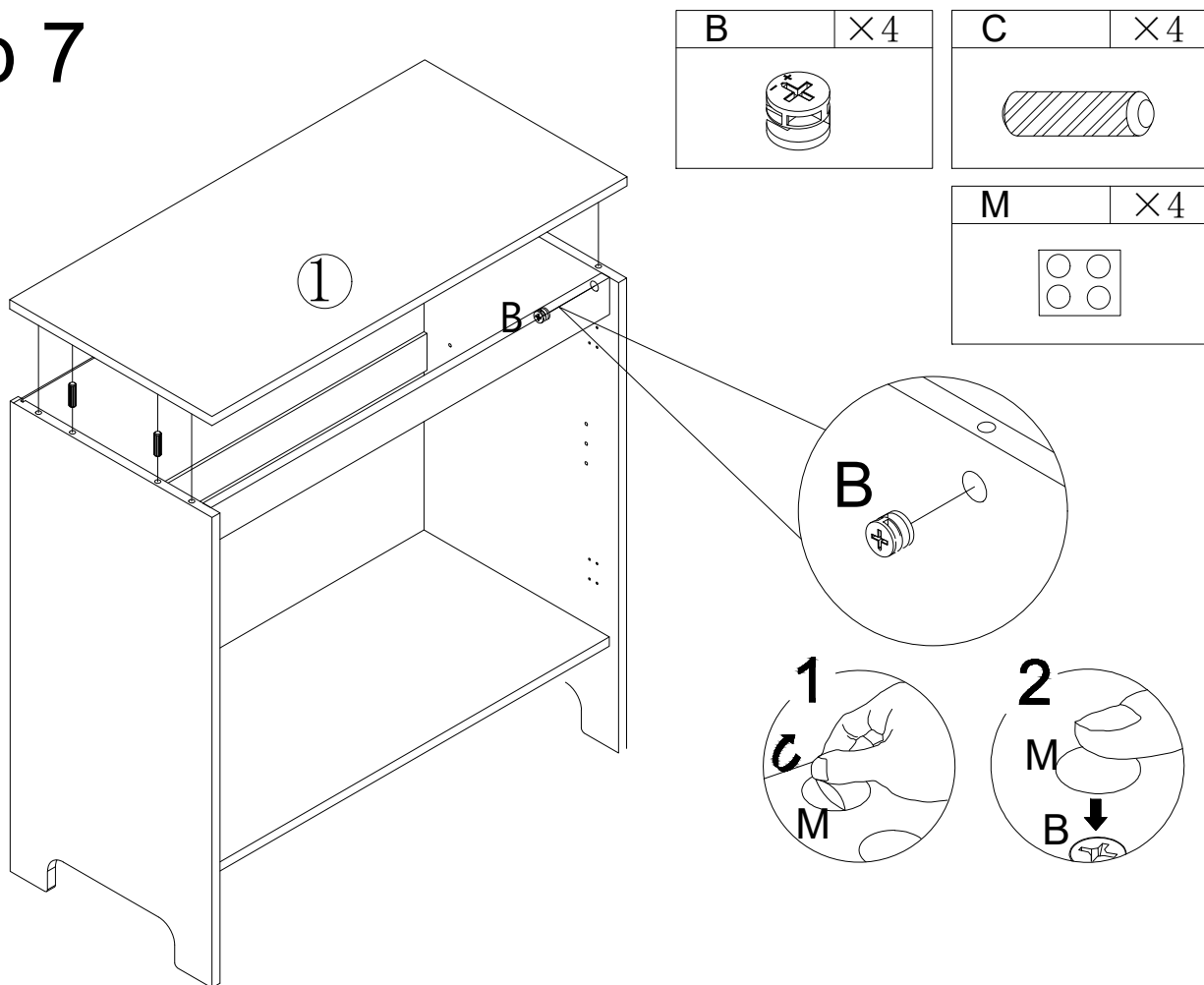
Step 5



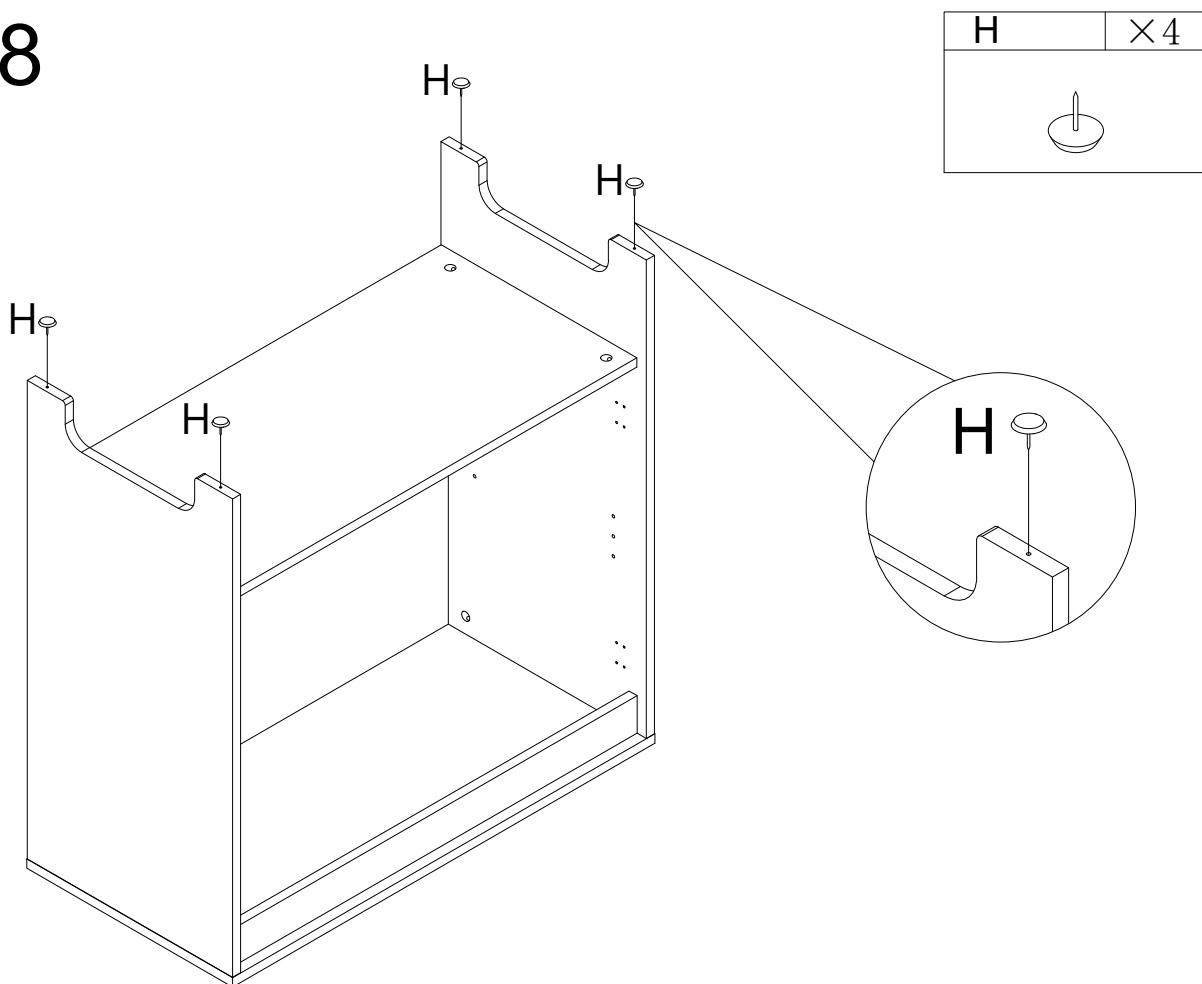
Step 6



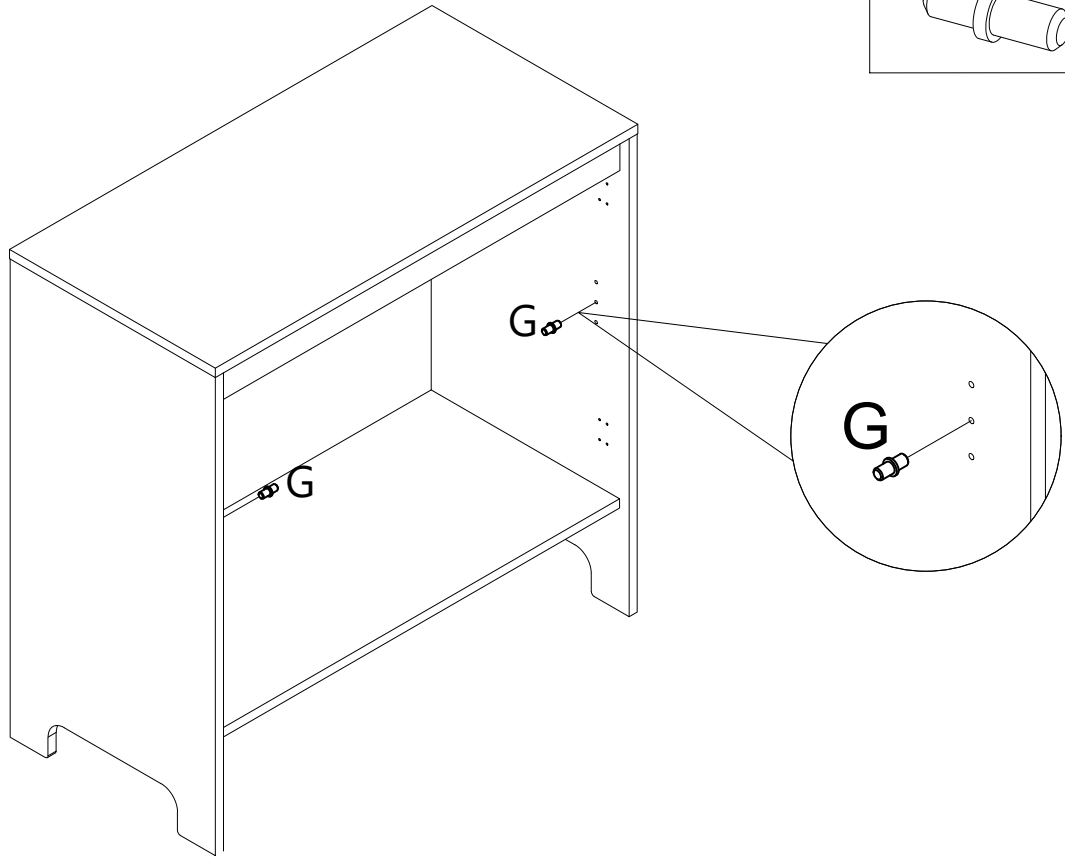
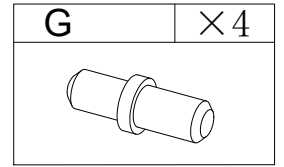
Step 7



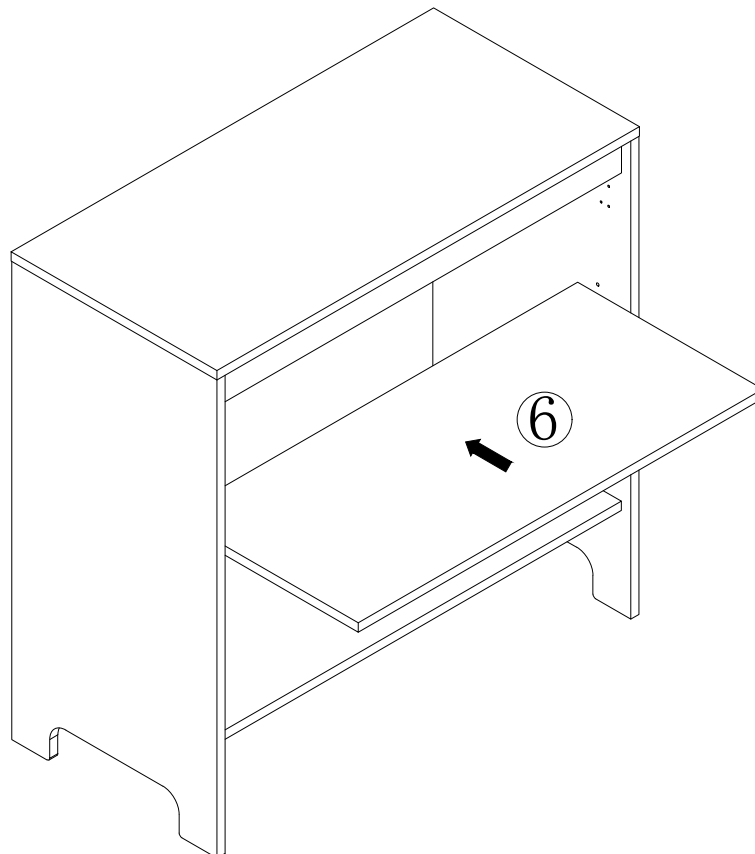
Step 8



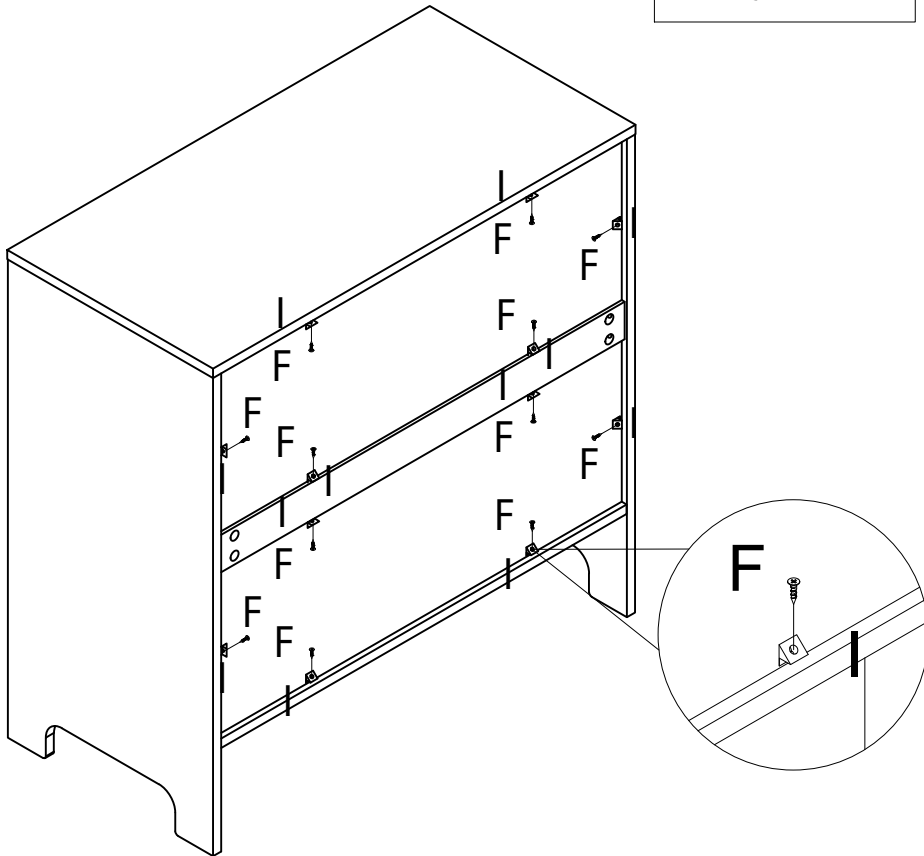
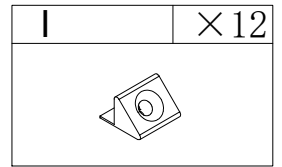
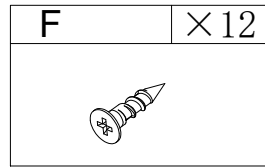
Step 9



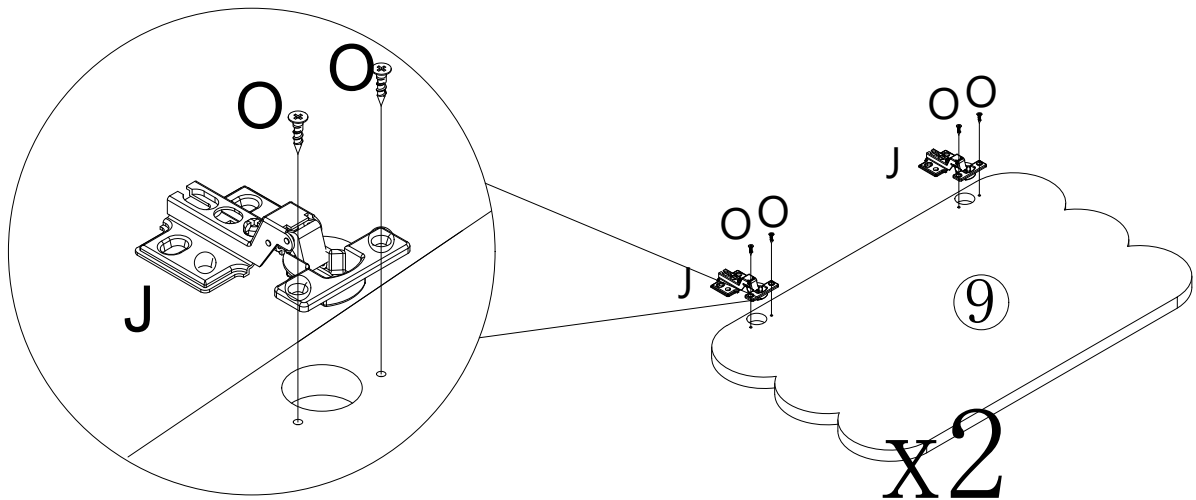
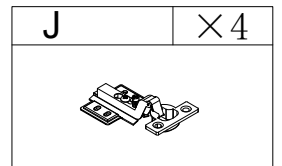
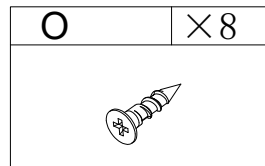
Step 10




Step 11

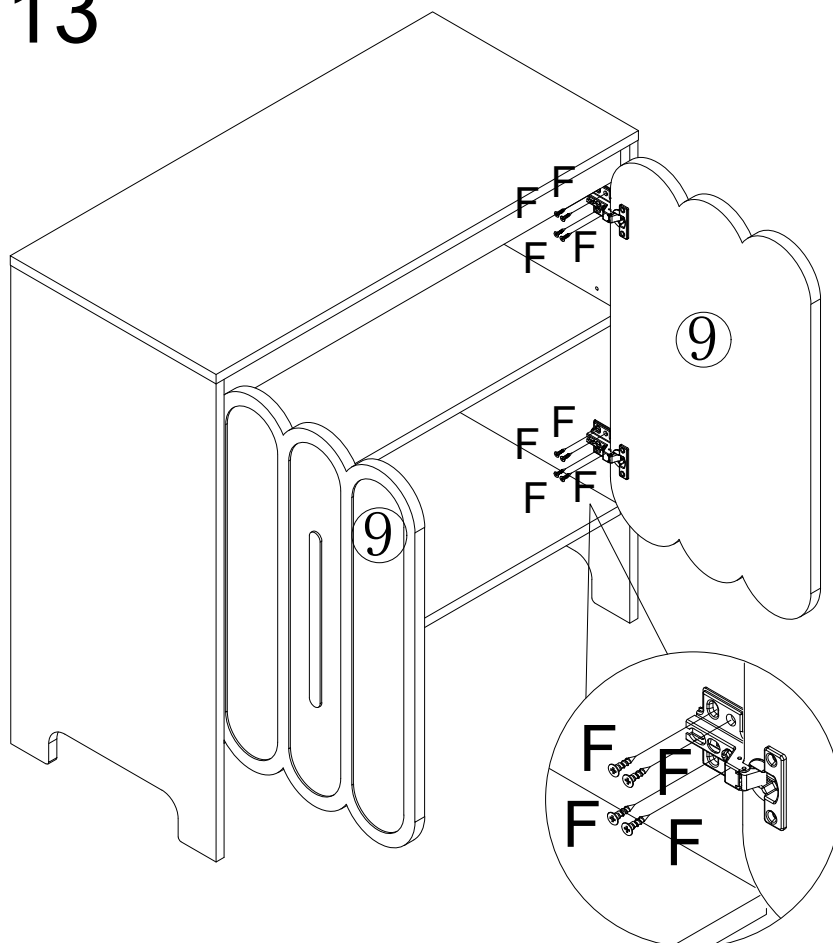


Step 12

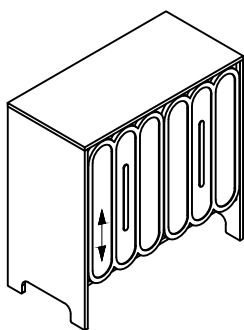


Step 13

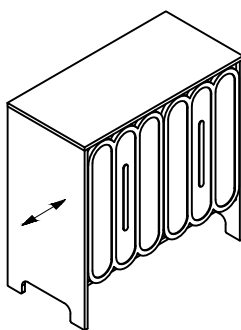
F	×16
	



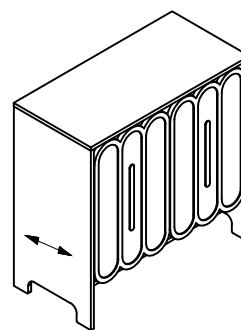
How do I get the two doors to align flat by adjusting the hinges?



1. The screws can be loosened to adjust the uneven problem under the table top.

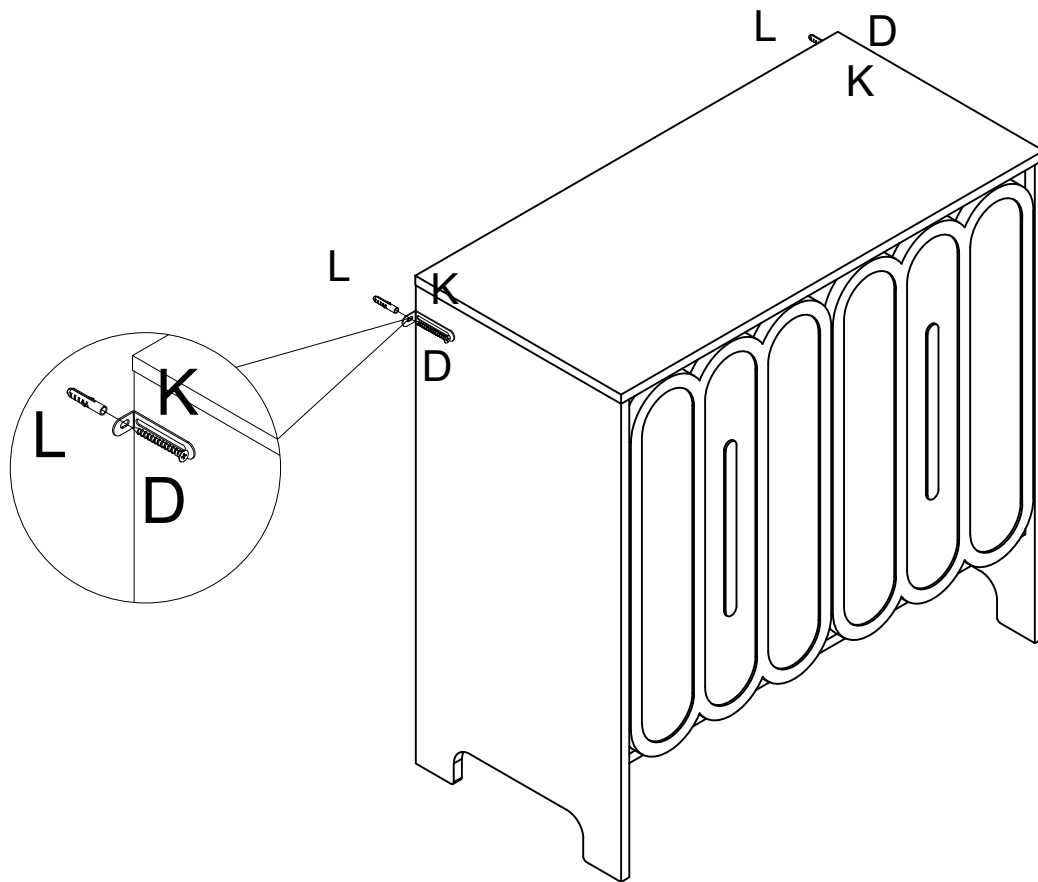
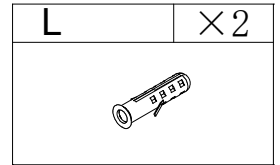
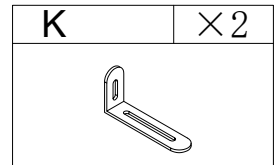
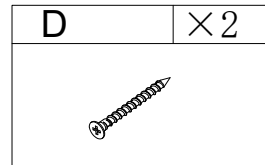


2. Adjust the screws shown in Fig. 2 and pull the door back and forth so that it can be opened smoothly.



3. Adjust the screws shown in Figure 3 to adjust the door left and right to the right position.

Step 14



Step 15

