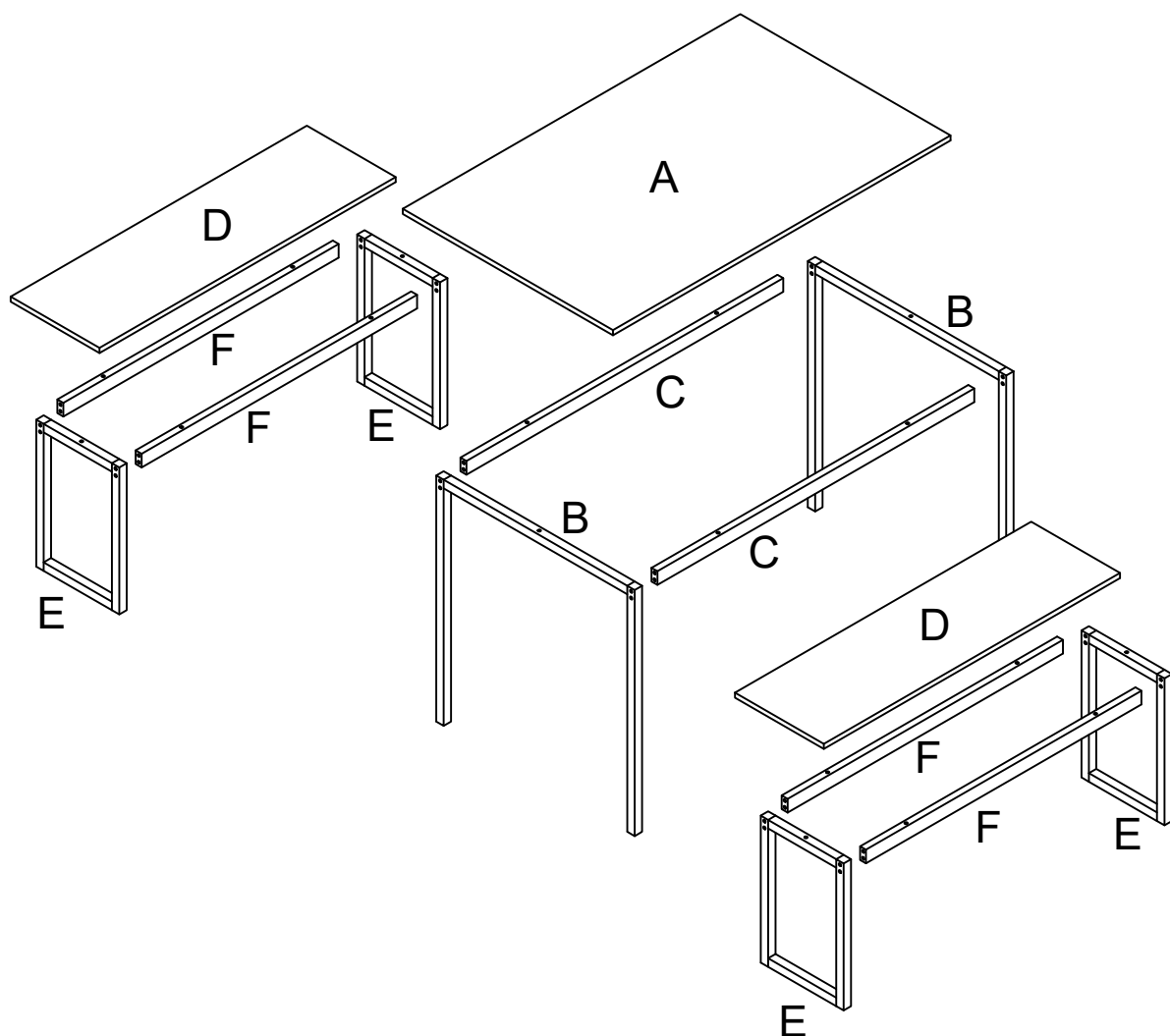
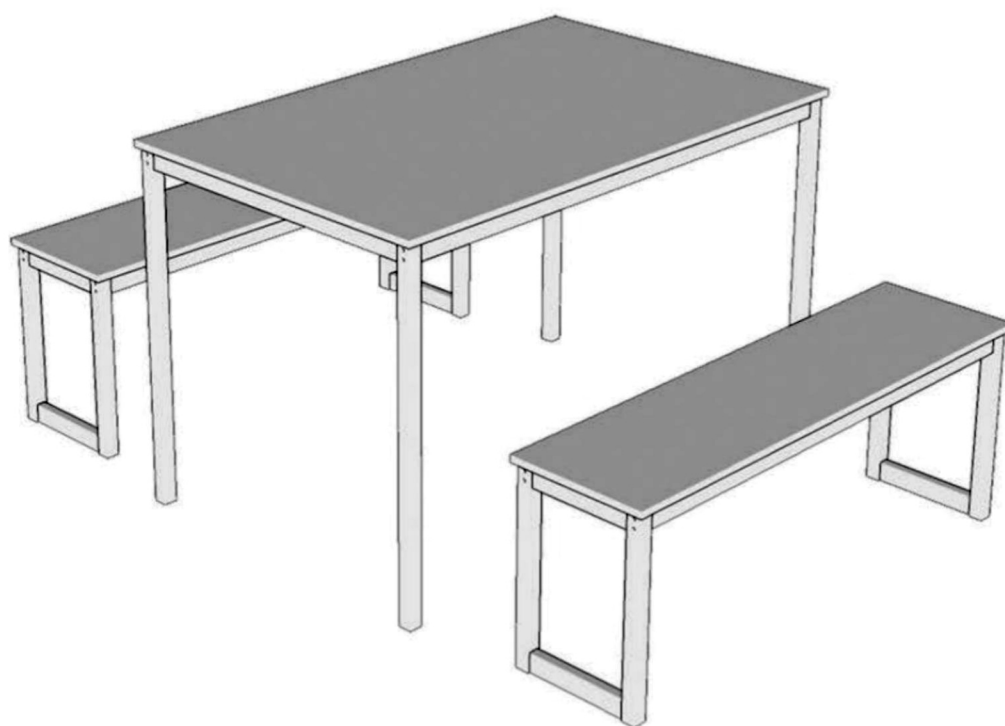


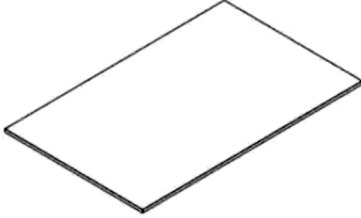



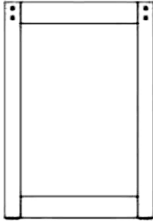



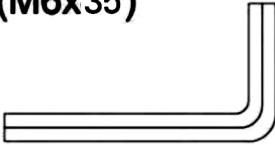
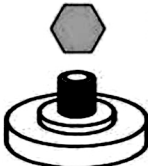
Please read the instructions fully before assembly.
These instructions include important information which could ensure correct assembly. We have been working on providing high quality products for you. However, in the rare instance that your product is defective, missing parts or there are some issues, please don't hesitate to contact our customer service to submit parts requirements, assembly suggestion, or warranty claims, and we will give the best solution as soon as possible. If necessary, we need you to provide some more clear pictures of the issue.



Assembly Instruction

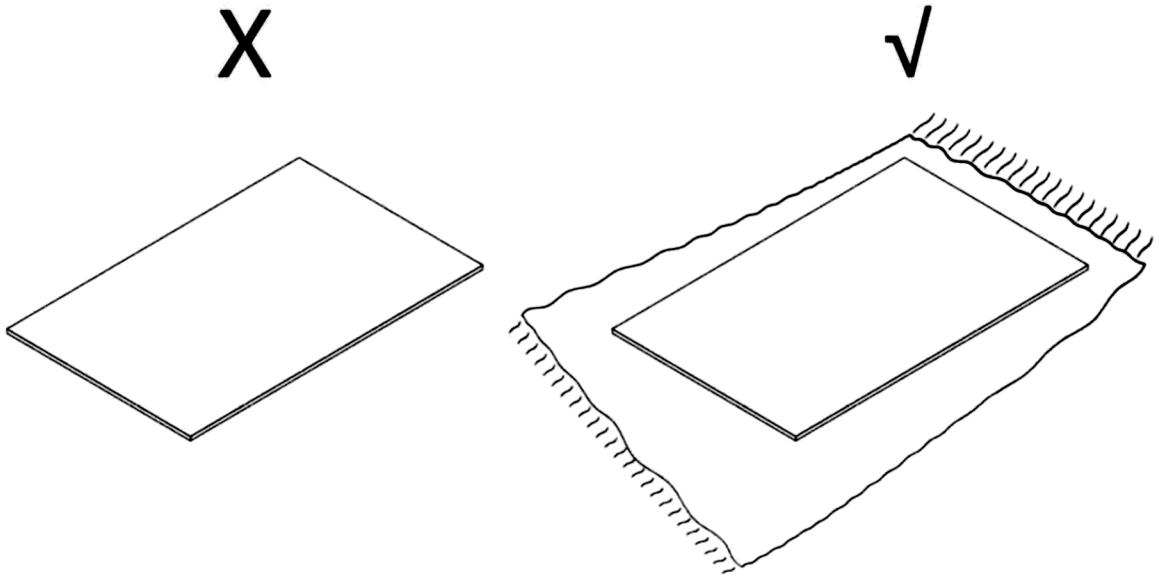


PART LIST

A		x1
B		x2
C		x2
D		x2
E		x4
F		x4
①	 (M6x50)	x36
②	 (M6x35)	x6
③		x1
④		x4

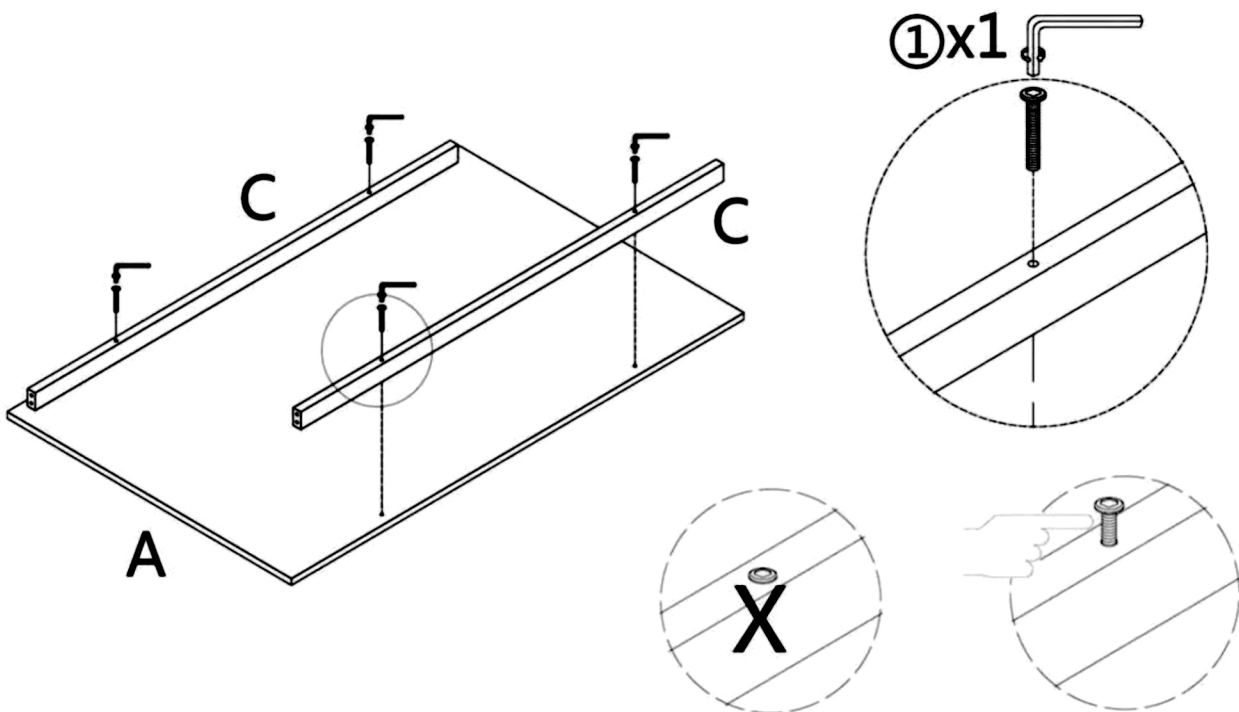
- Weight Capacity for Table: 100 LBS
- Weight Capacity for Each Bench: 300 LBS

1



- Please put the tabletop on a smooth surface for assembly in case of accidental scratches.

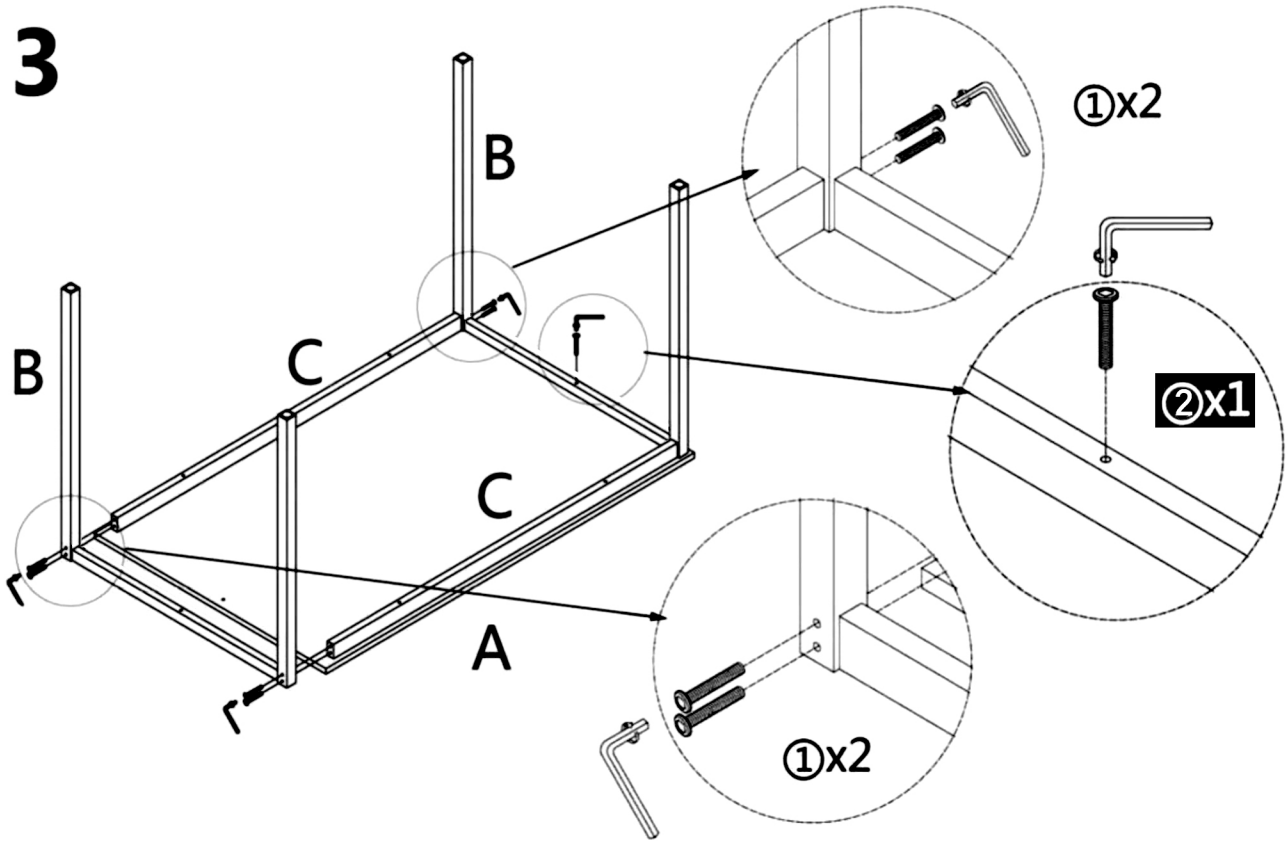
2



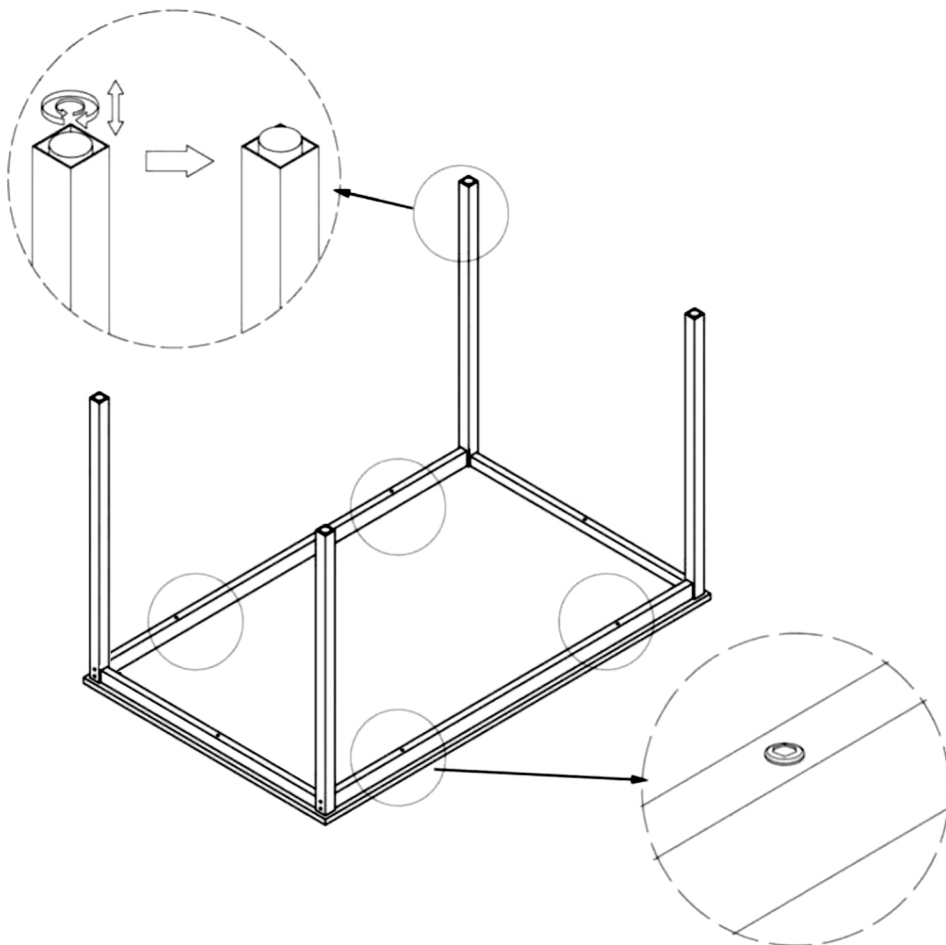
- Do not fully tighten the screws.

2

3

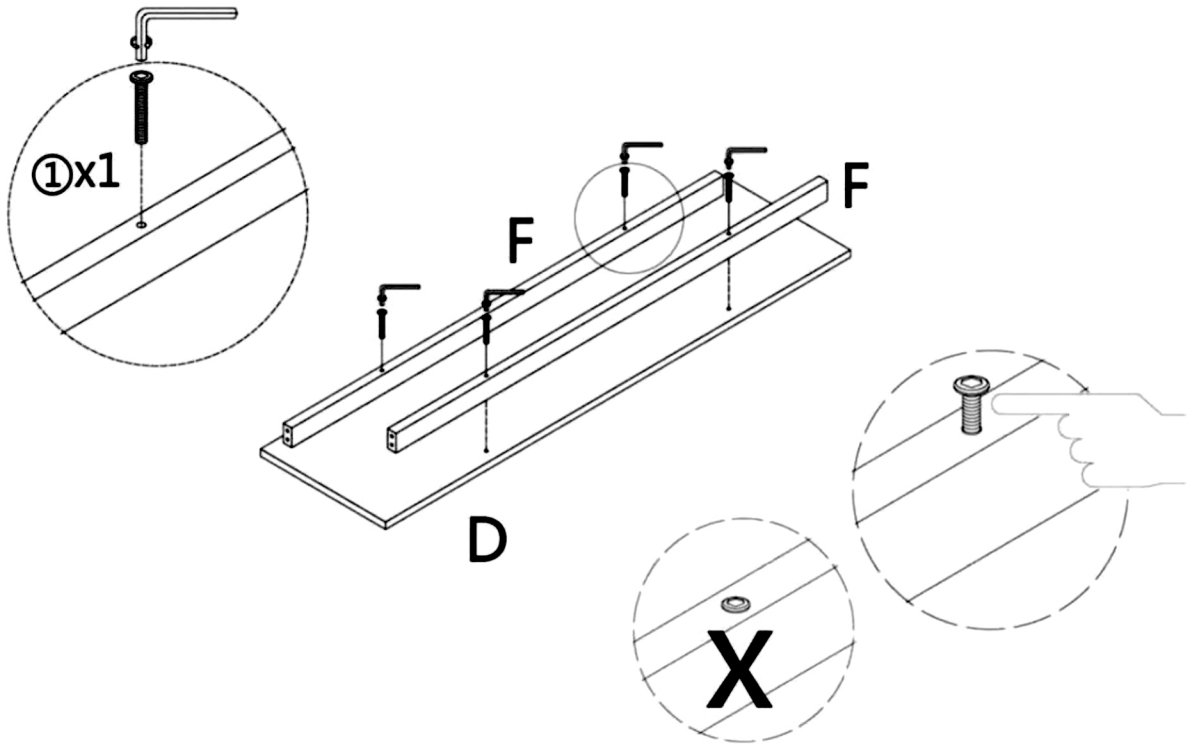


4



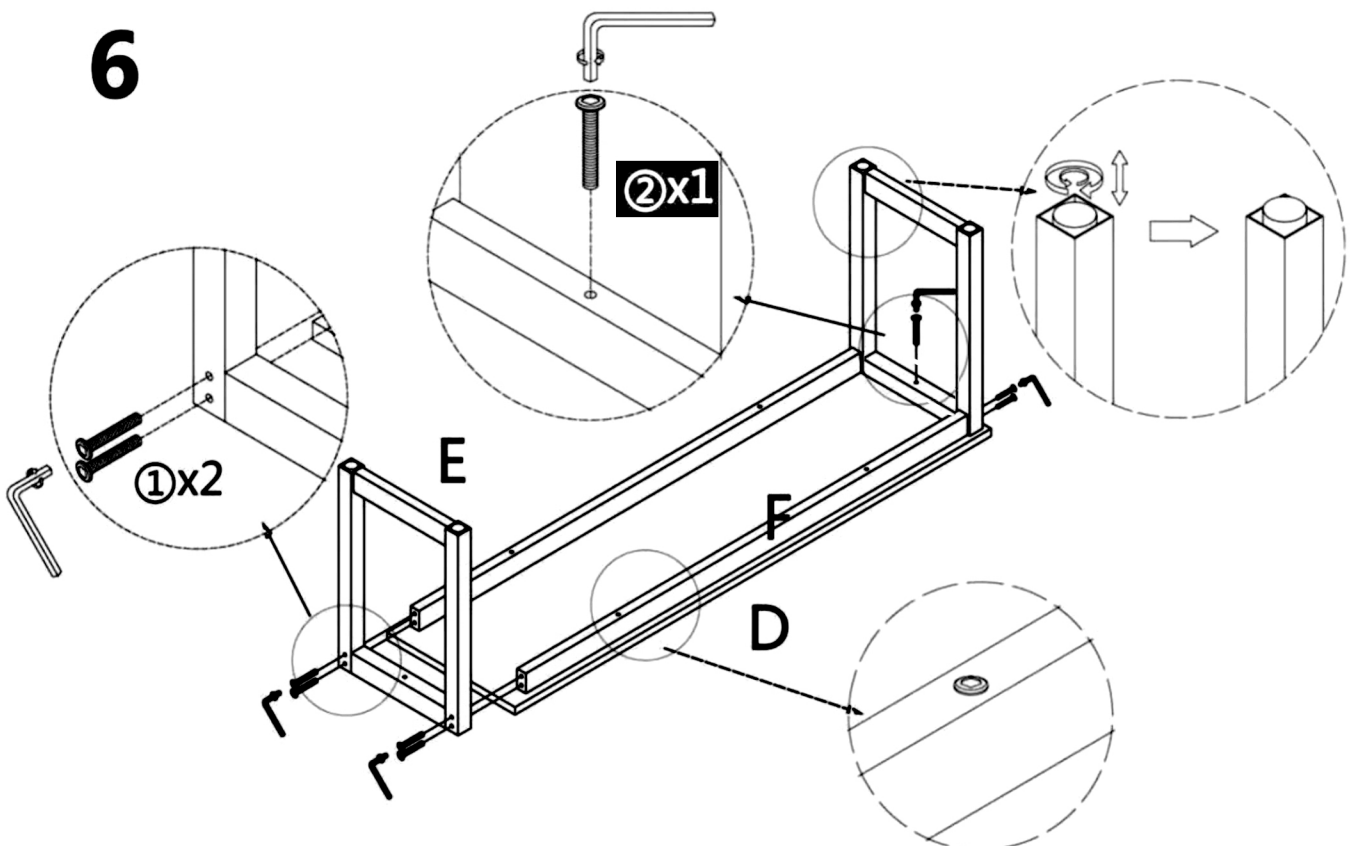
● Fully Tighten the screws. **3**

5



●Do not fully tighten the screws.

6



●Fully Tighten the screws.