

Tribesigns

DESIGNED FOR LIFE

Assembly Instructions



Dining Table / Executive Desk

Model No.
HOGA-YC0008

 **LITTLE TREE**
Little Tree by Tribesigns

www.tribesigns.com

Contact Us

We're here to help you.




Your satisfaction is our top priority. If you encounter any issues with this product, such as missing or damaged parts, we're here to help. Please retain the original packaging and take photos of the packaging and the product, then contact us as soon as possible.

Warm Tips

1. Carefully read these instructions and keep them for future reference.
2. Check the parts list and confirm everything's there before starting assembly.
3. When assembling, put all parts on a soft, smooth surface like a carpet to avoid scratches.
4. Don't fully tighten screws until all parts are confirmed in place to avoid misalignment.

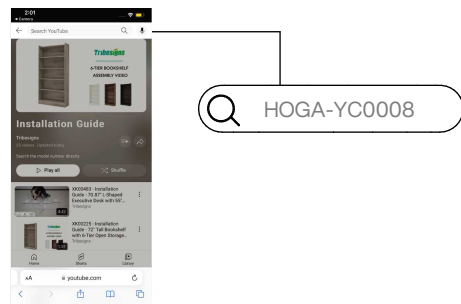
How to Get the Assembly Video

Step 1 Scan the QR code.

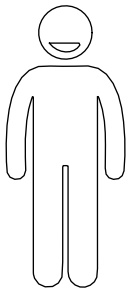


Installation Video

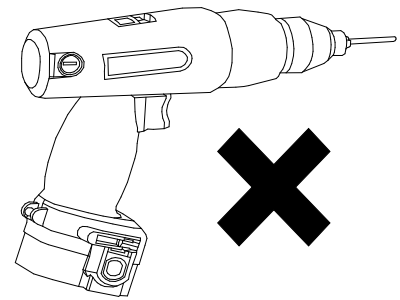
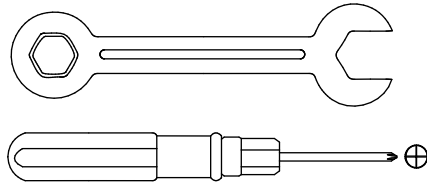
Step 2 Search with the Model No.
(on the bottom left corner of the title page)



Note: If you can't find the assembly video, please contact us.

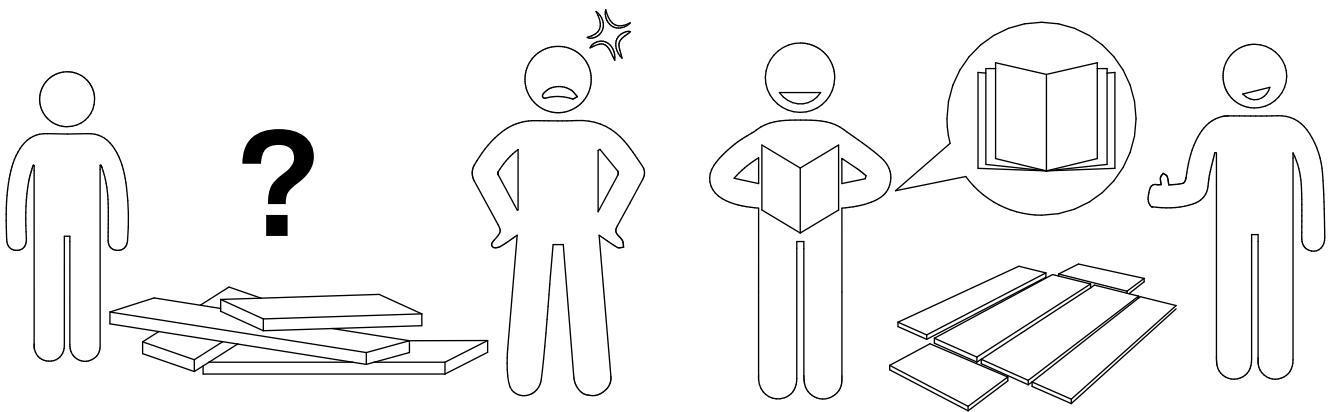


X2



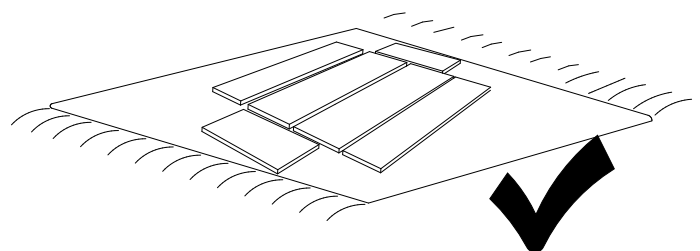
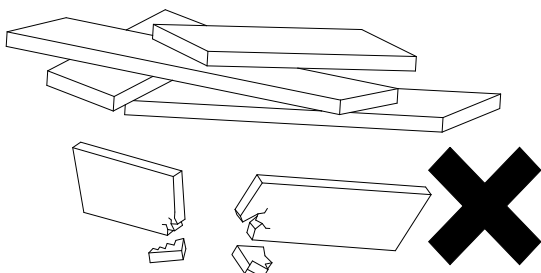
We recommend using hand tools for assembly.

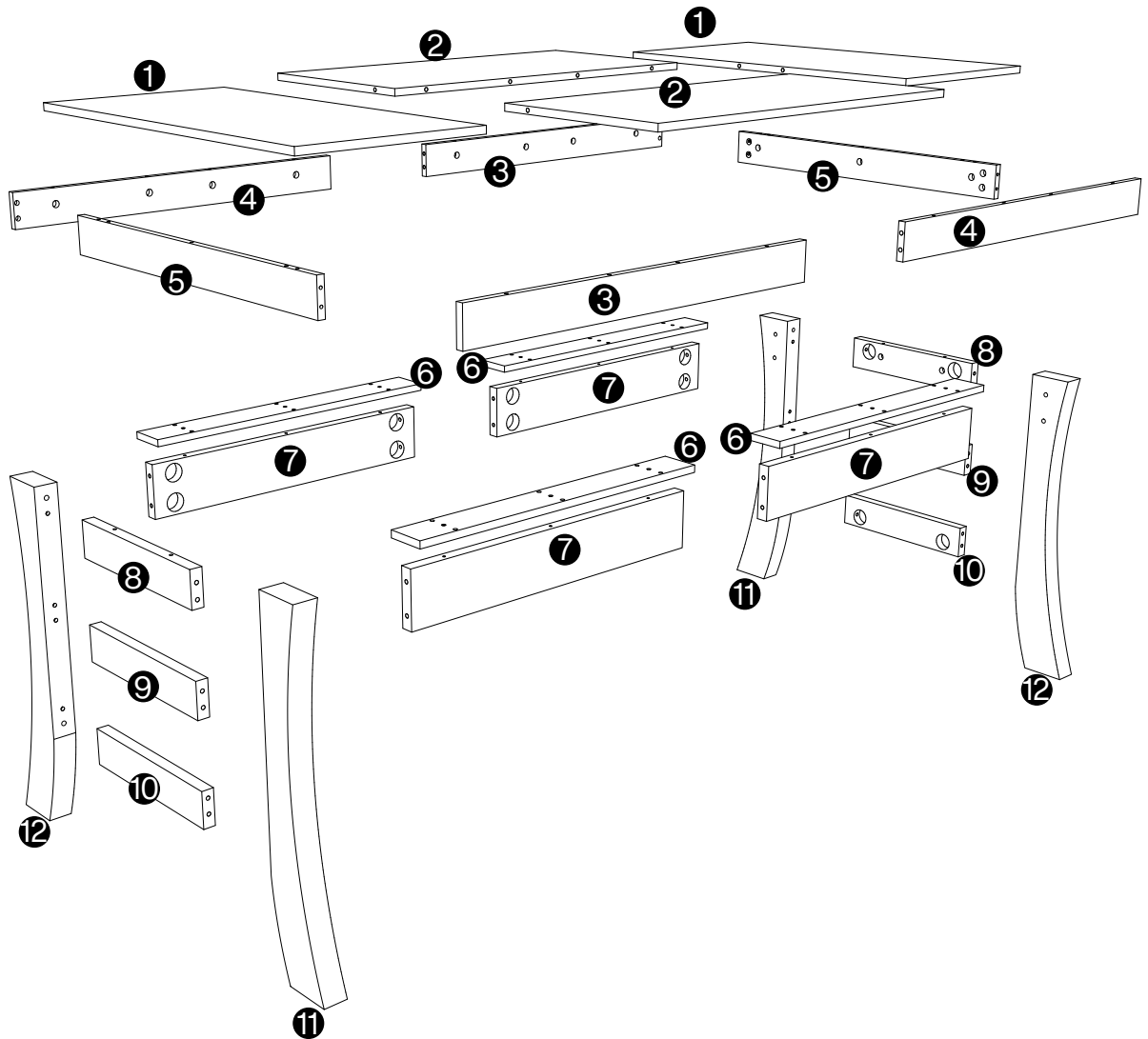
If an electric screwdriver is used, reduce power and torque to avoid damage to the product.



AVOID SCRATCHES

In order to avoid scratching, this furniture should be assembled on a soft surface, such as a rug.

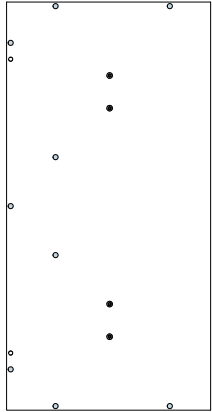
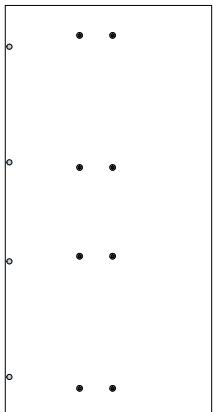





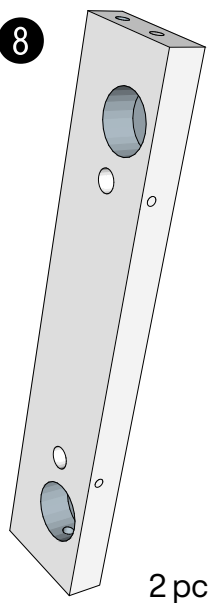
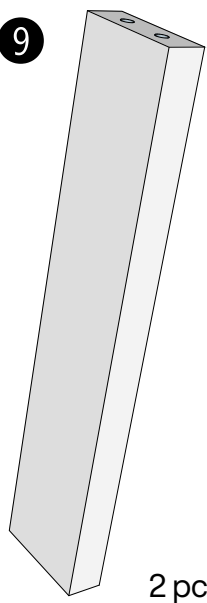
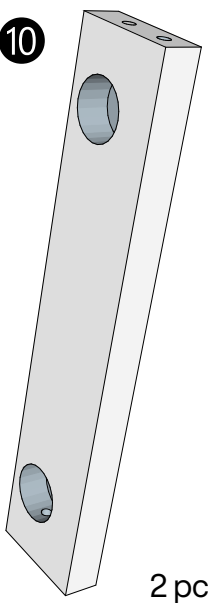
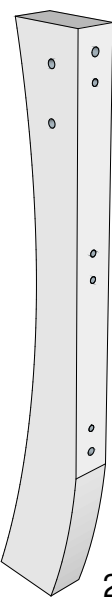
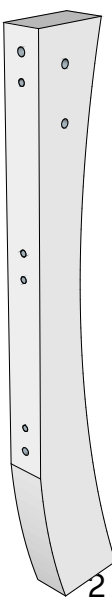





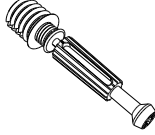
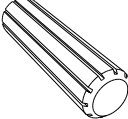

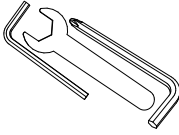


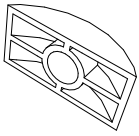
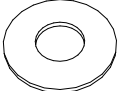
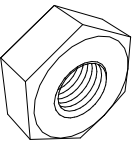

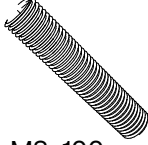
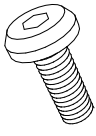
⚠ Caution

Make sure all parts are included. Most board parts are labeled or stamped on the raw edge. Contact us for a free replacement if you encounter any damaged or missing parts.

Parts List

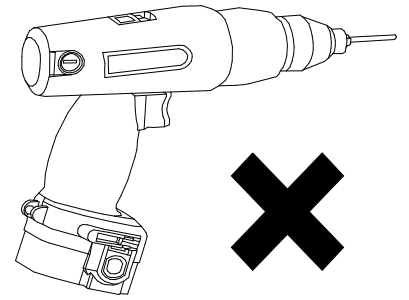
<p>1</p>  <p>2 pcs</p>	<p>2</p>  <p>2 pcs</p>	<p>3</p>  <p>2 pcs</p>	<p>4</p>  <p>2 pcs</p>	<p>5</p>  <p>2 pcs</p>	<p>6</p>  <p>4 pcs</p>
<p>7</p>  <p>4 pcs</p>	<p>8</p>  <p>2 pcs</p>	<p>9</p>  <p>2 pcs</p>	<p>10</p>  <p>2 pcs</p>	<p>11</p>  <p>2 pcs</p>	<p>12</p>  <p>2 pcs</p>

Hardware List

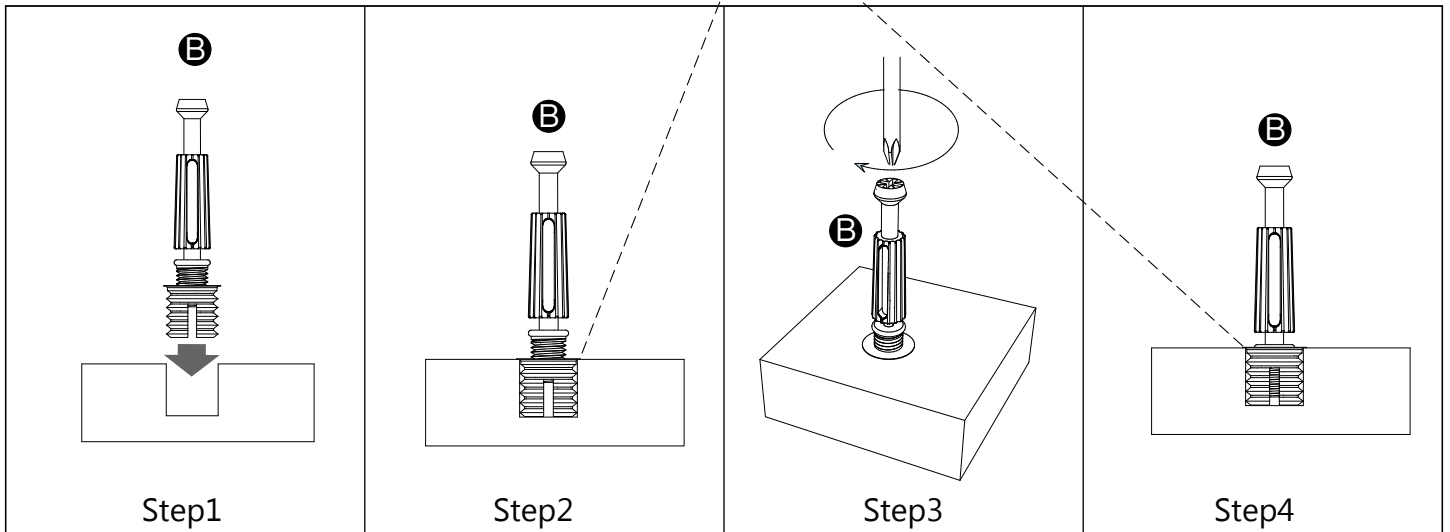
<p>A</p>  <p>Ø15x12mm</p> <p>34 pcs</p>	<p>B</p>  <p>M6x40mm</p> <p>34 pcs</p>	<p>C</p>  <p>Ø8x30mm</p> <p>32 pcs</p>	<p>D</p>  <p>M8x70mm</p> <p>16 pcs</p>	<p>E</p>  <p>M3/M4/M14</p> <p>1 pc</p>	<p>F</p>  <p>4 pcs</p>	<p>G</p>  <p>4 pcs</p>
<p>H</p>  <p>24 pcs</p>	<p>I</p>  <p>24 pcs</p>	<p>J</p>  <p>24 pcs</p>	<p>K</p>  <p>12 pcs</p>	<p>L</p>  <p>M8x100mm</p> <p>4 pcs</p>	<p>M</p>  <p>M6x25mm</p> <p>24 pcs</p>	

Installation of Cams and Pins

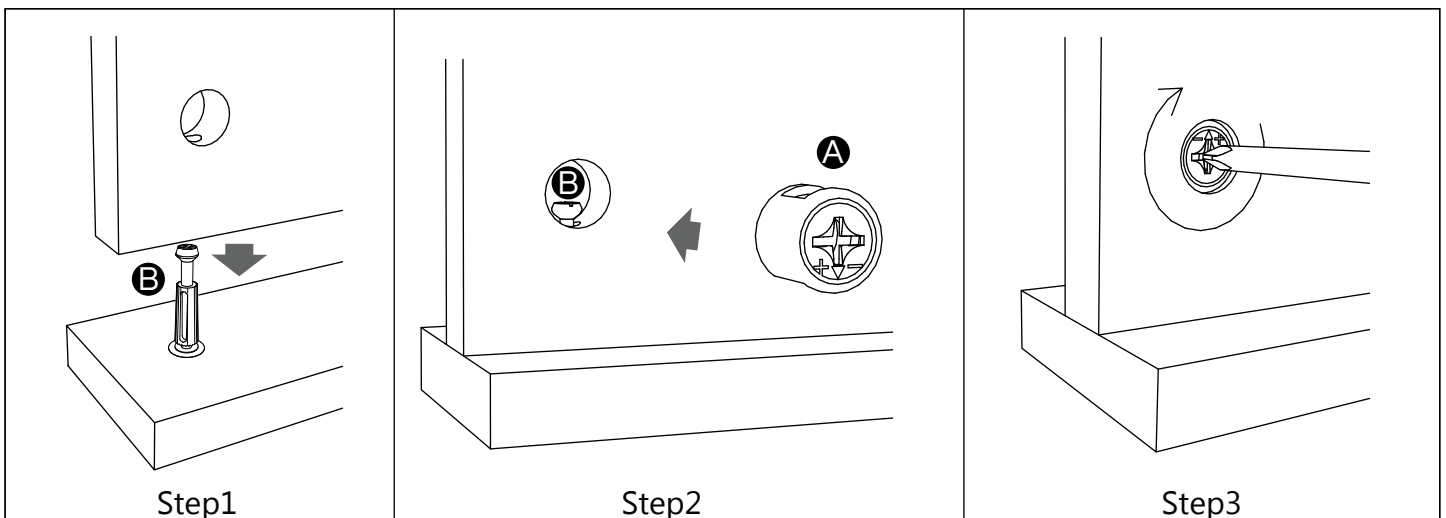
Read each step carefully before starting. Each step of instruction should be performed in the correct order. If these steps are not followed in sequence, assembly difficulties may occur.



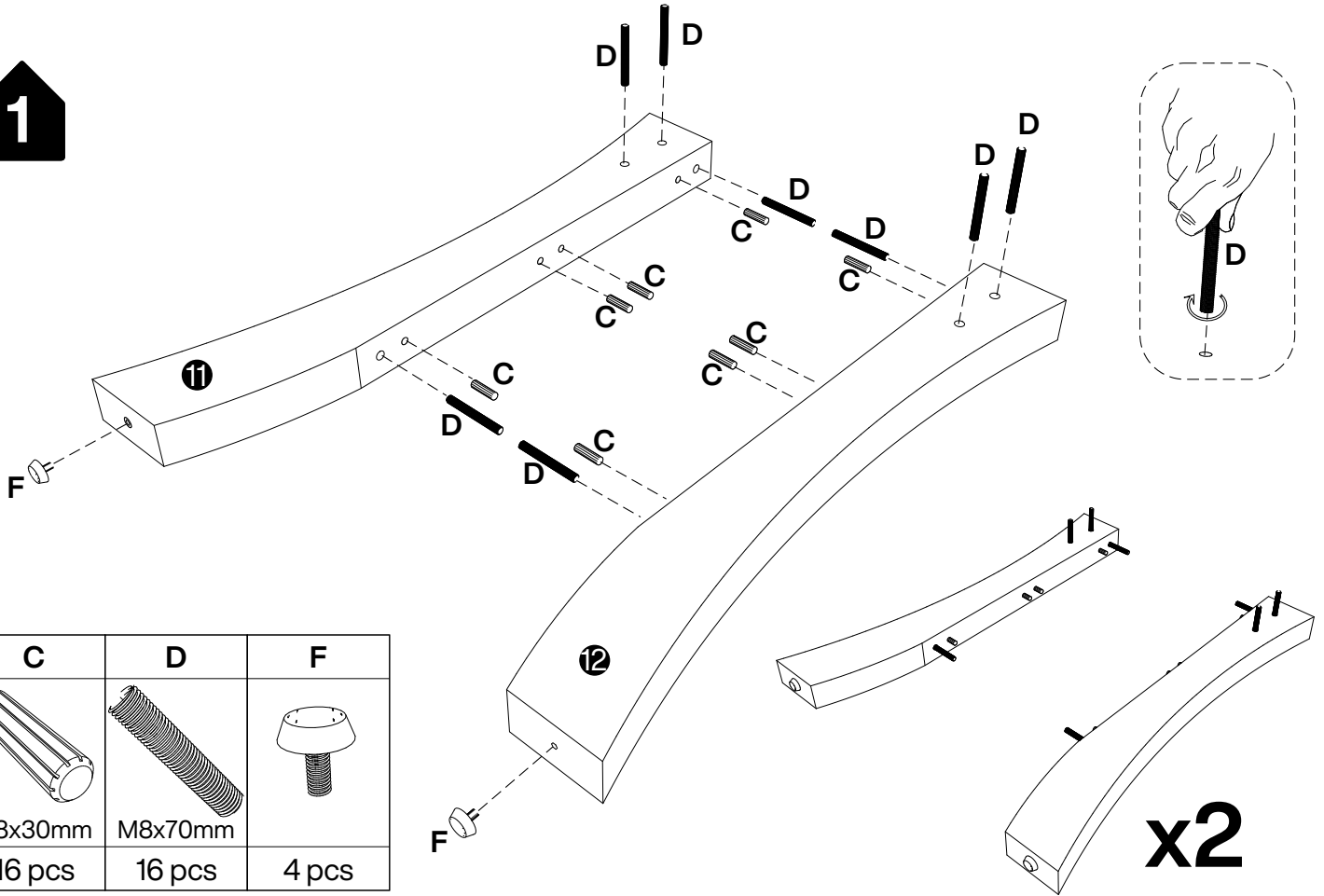
No gap



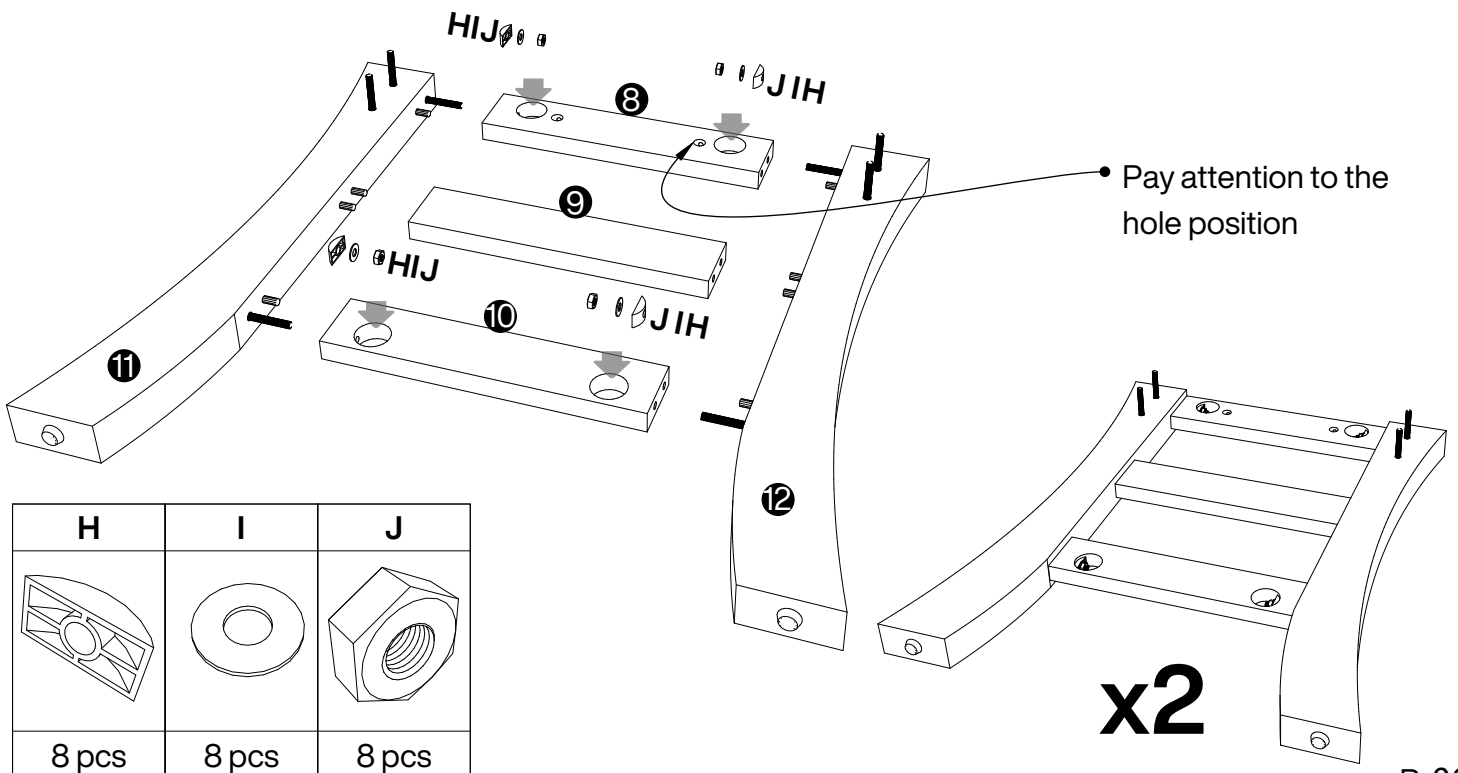
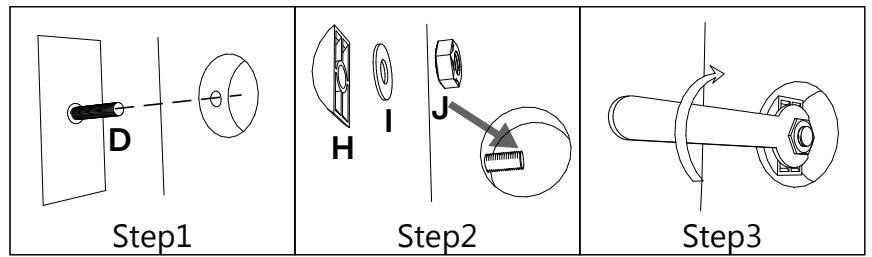
Screw the pin into the hole. Set the cams correctly by aligning the head of the cams with the lock pins. Lock the cam by turning the cam head with a screwdriver until it is tightened. Please do not use an electric screwdriver to assemble the unit.



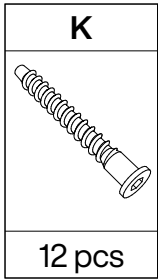
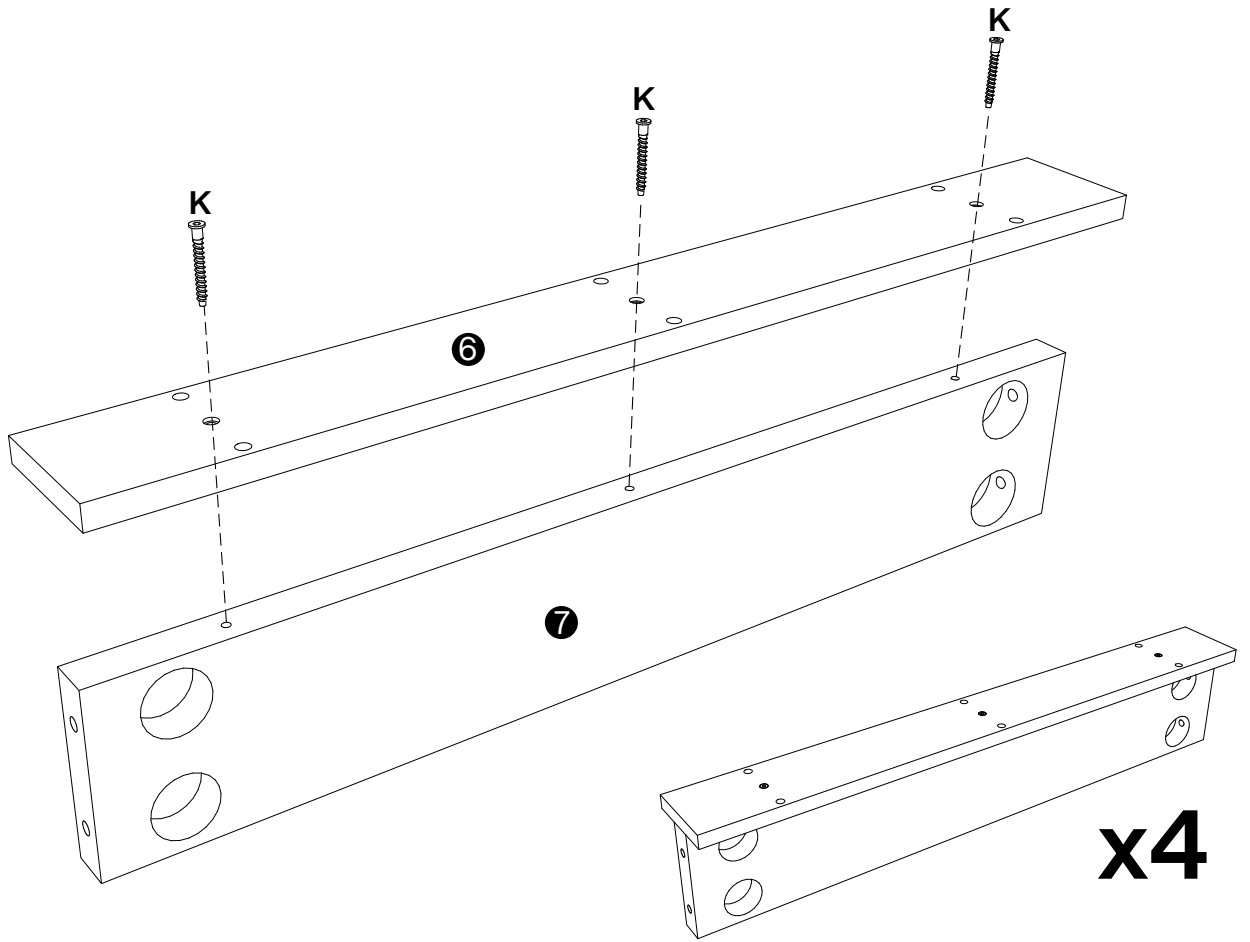
1



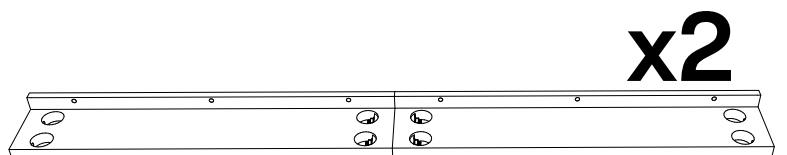
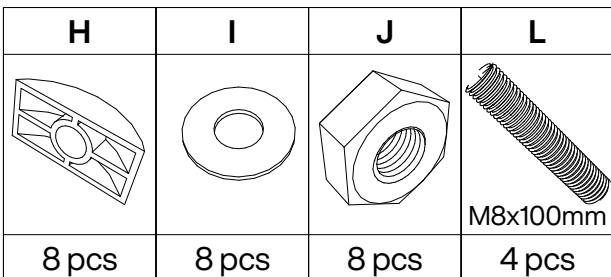
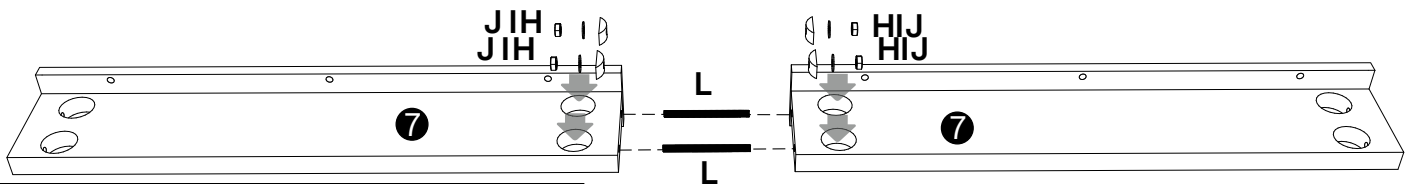
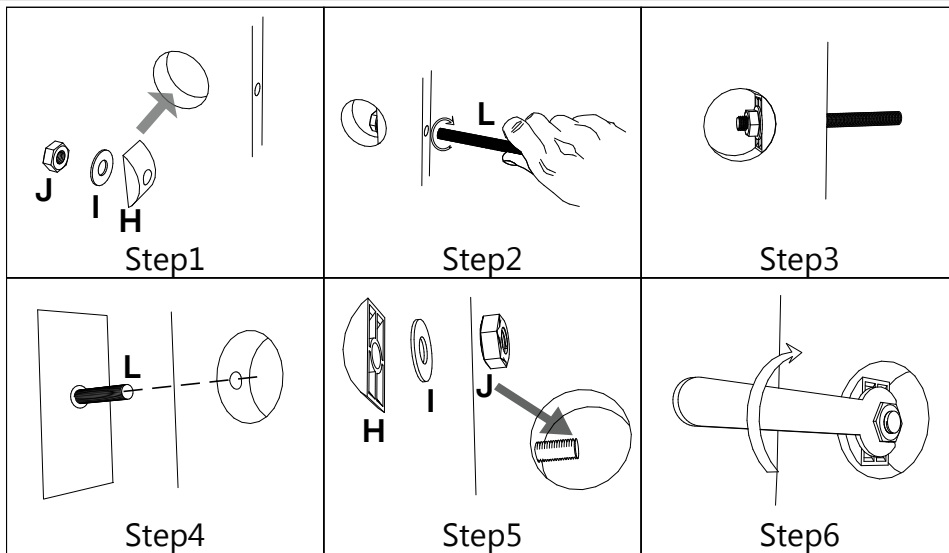
2



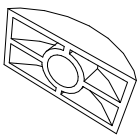
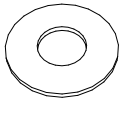
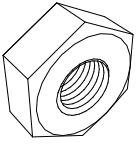
3

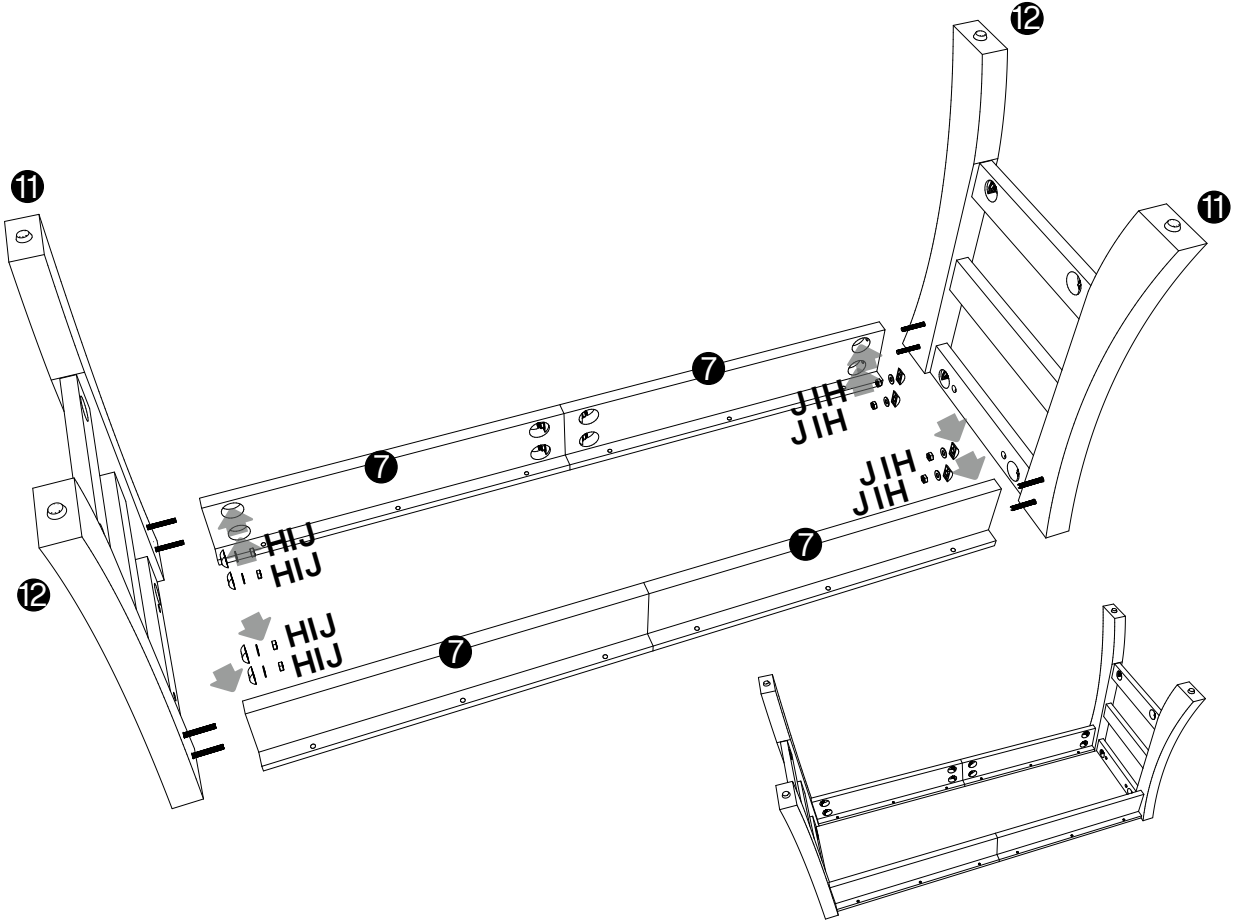


4

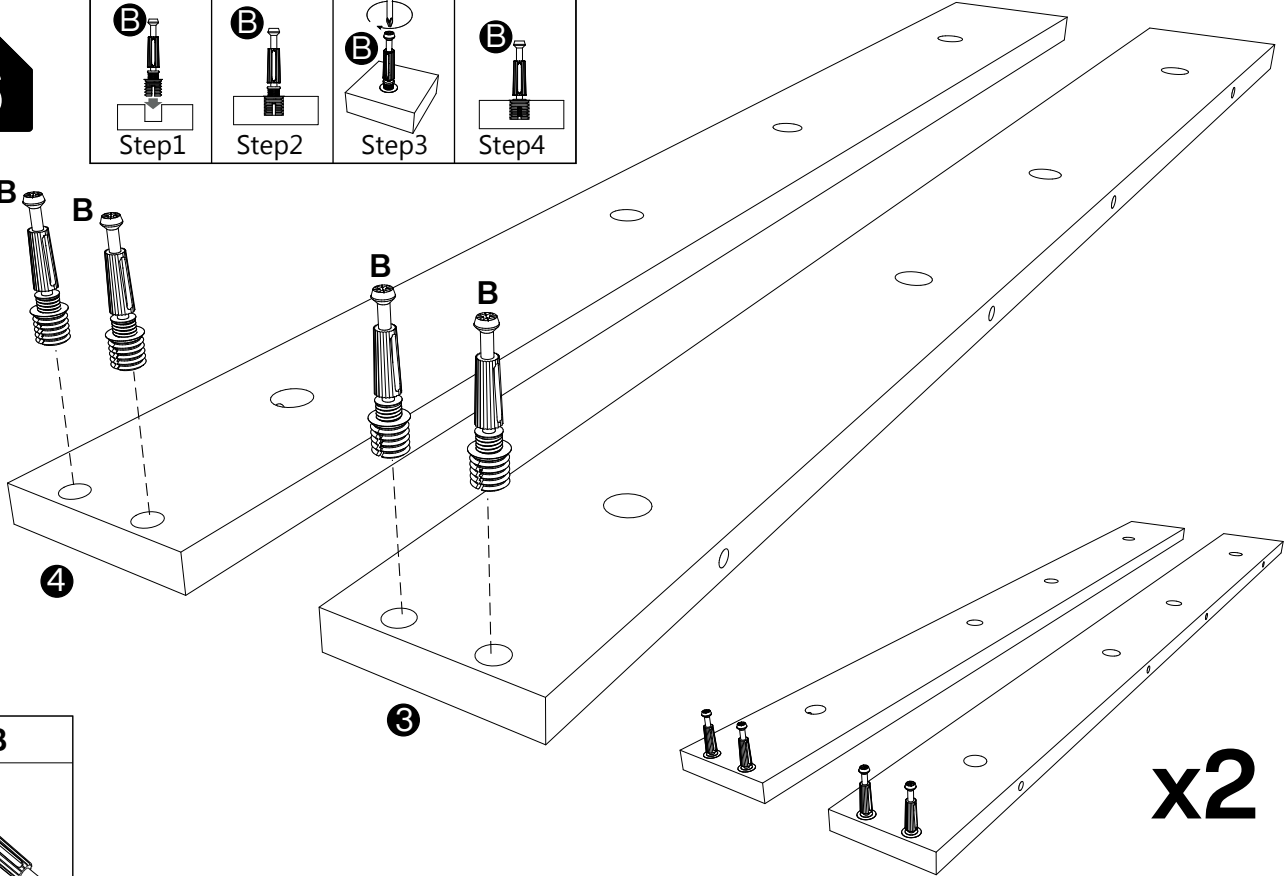
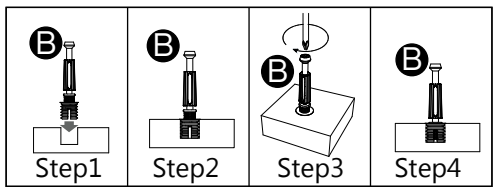



5

H

8 pcs
I

8 pcs
J

8 pcs



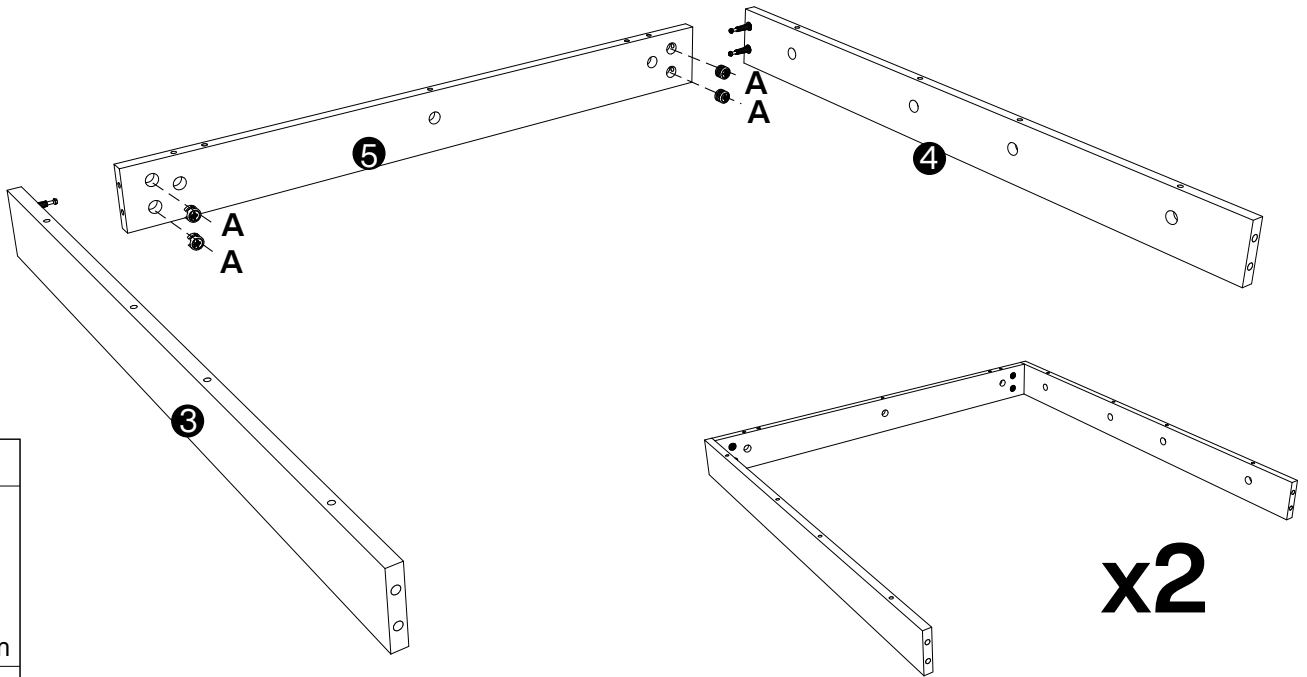
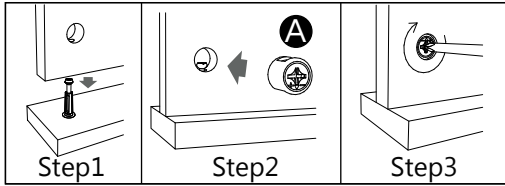
6



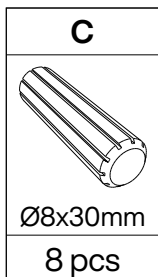
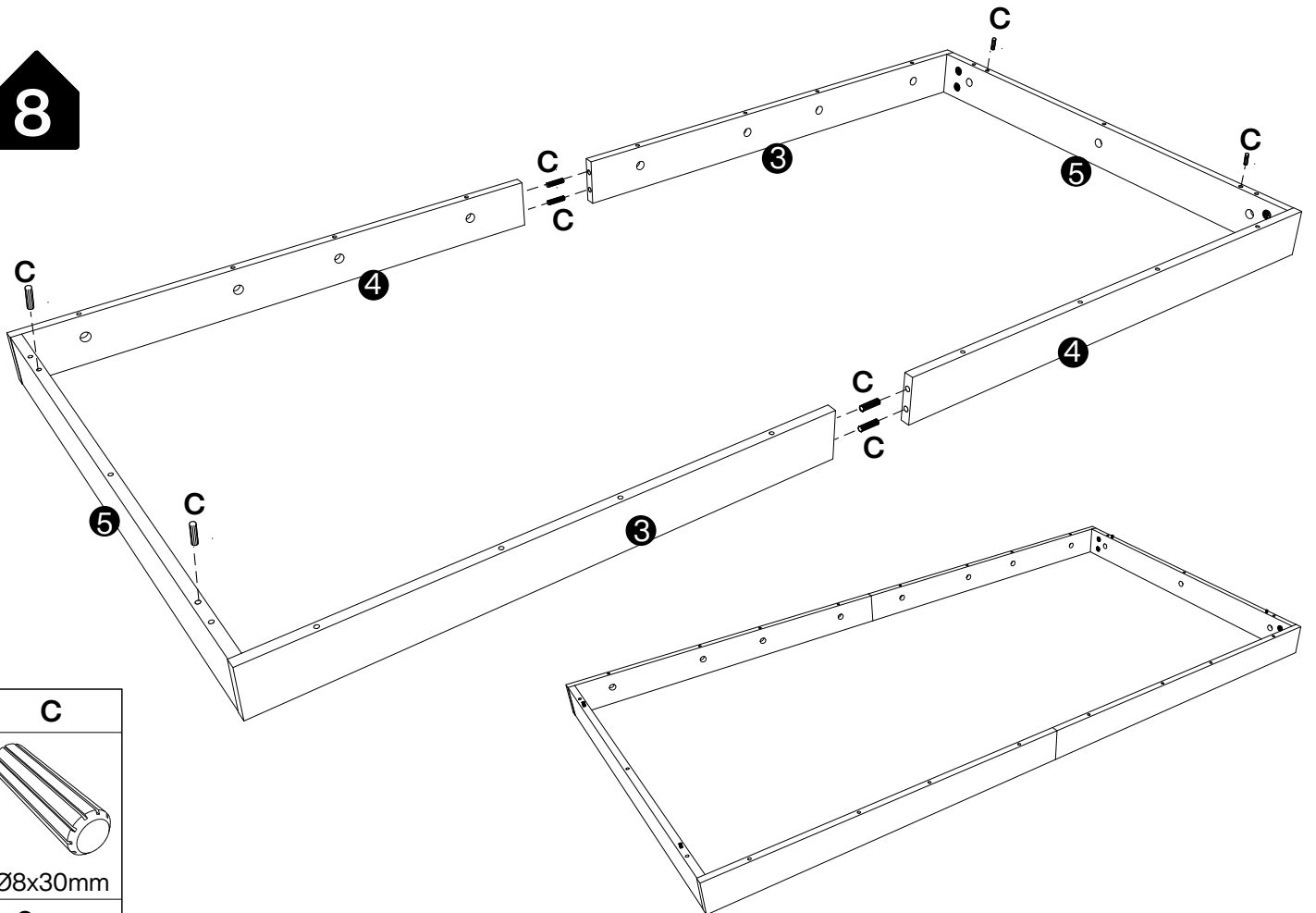
B

M6x40mm
8 pcs

x2

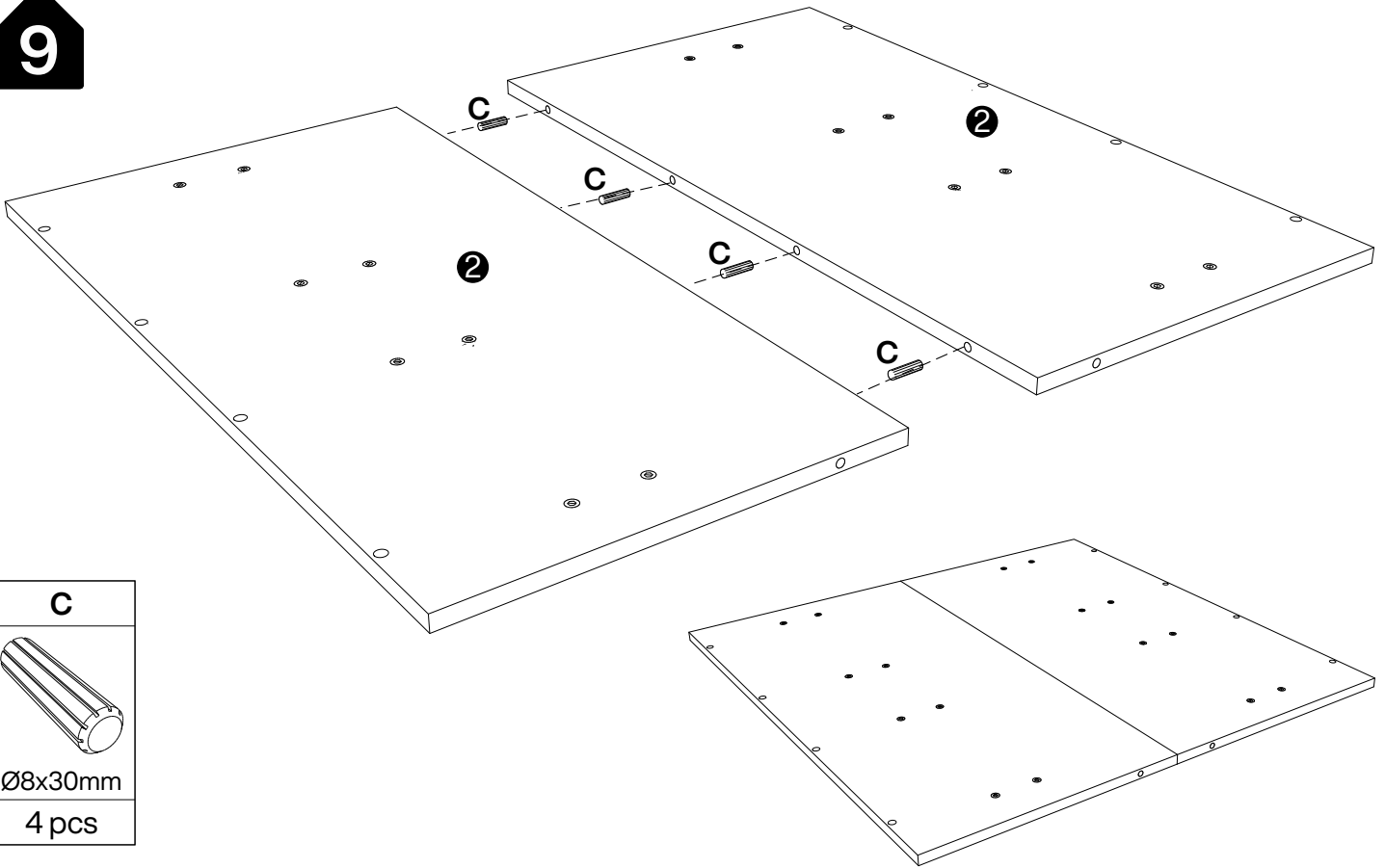
7

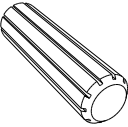


8

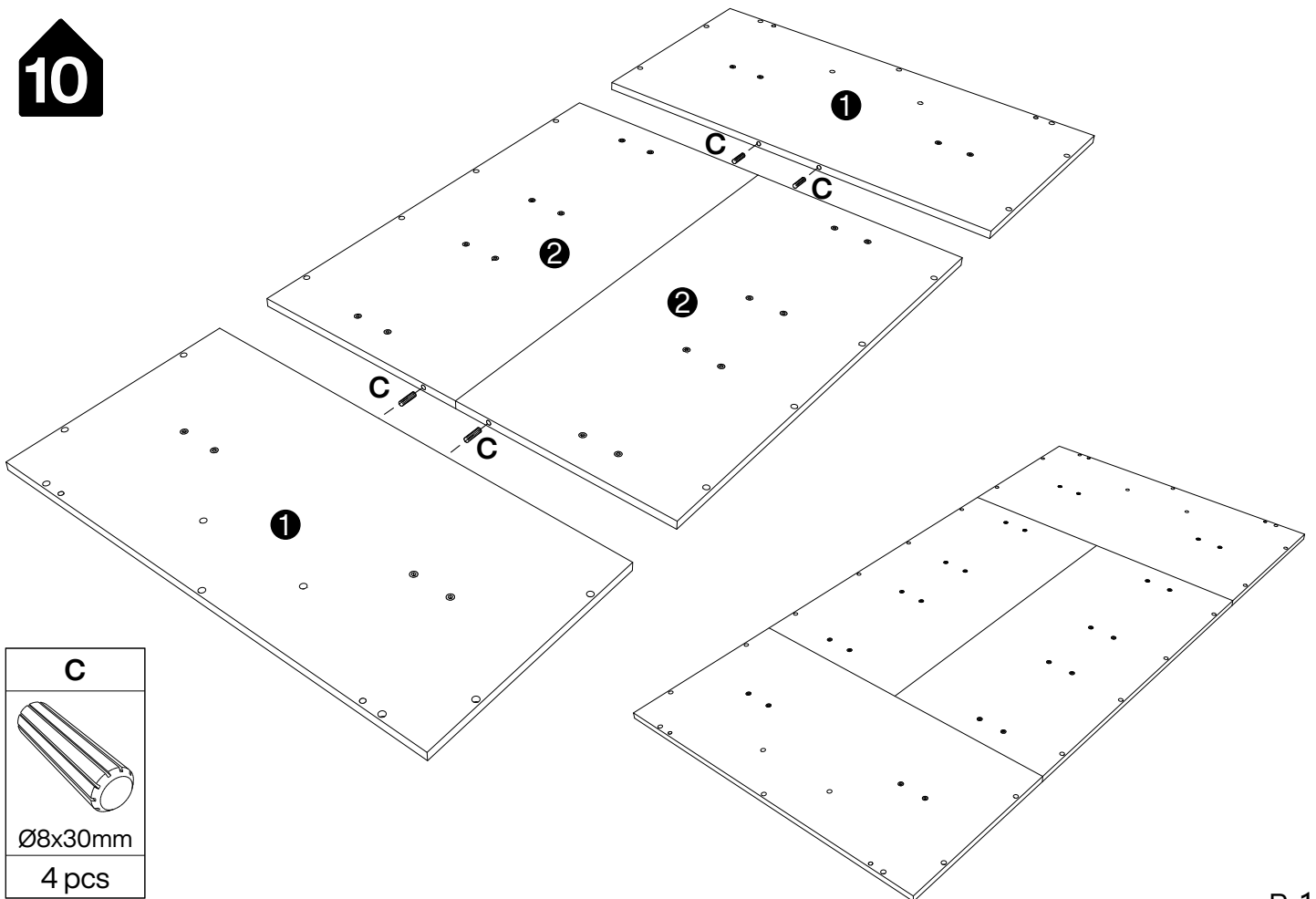


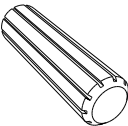
9



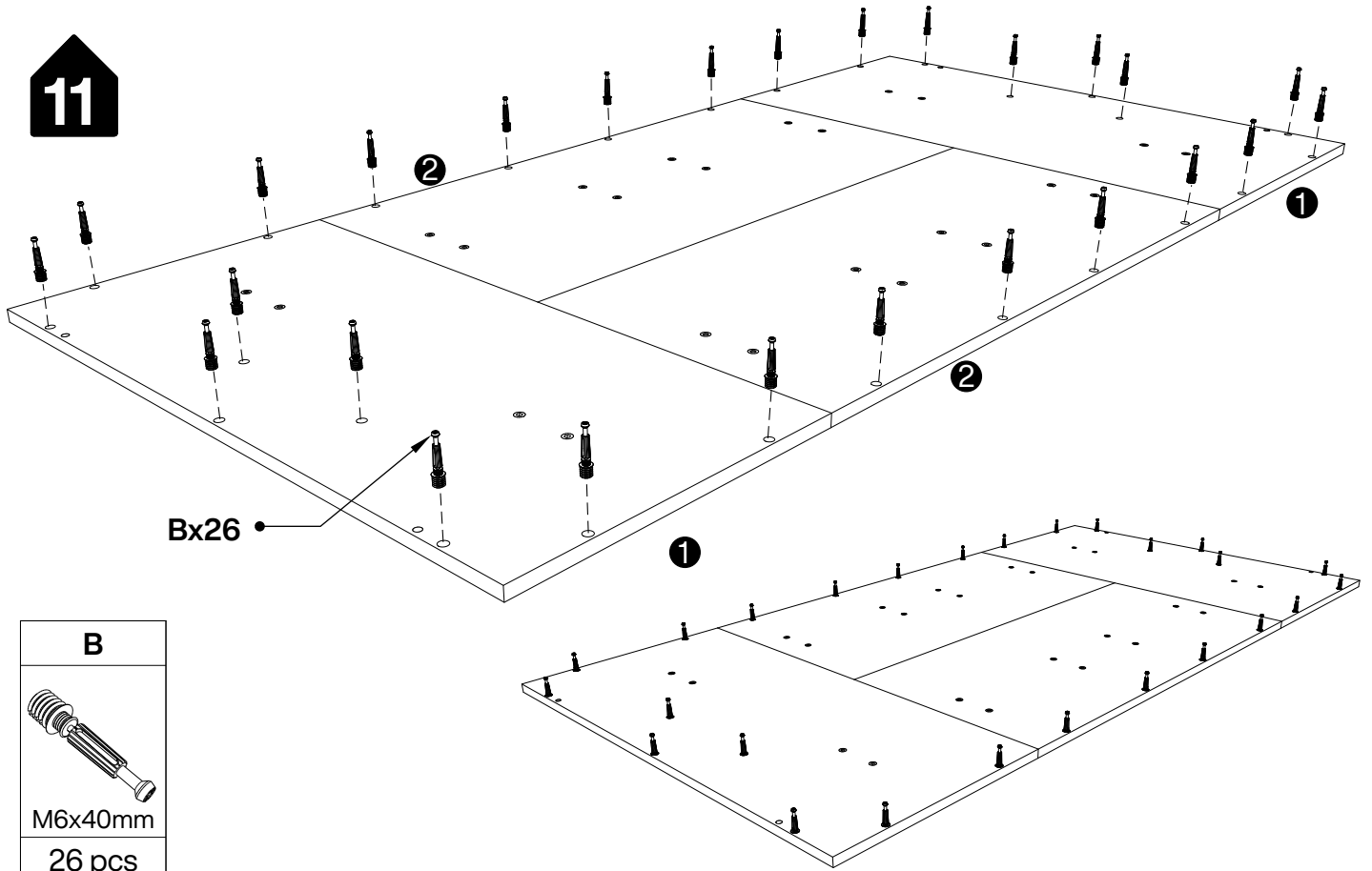
C

Ø8x30mm
4 pcs

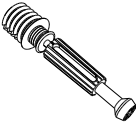
10



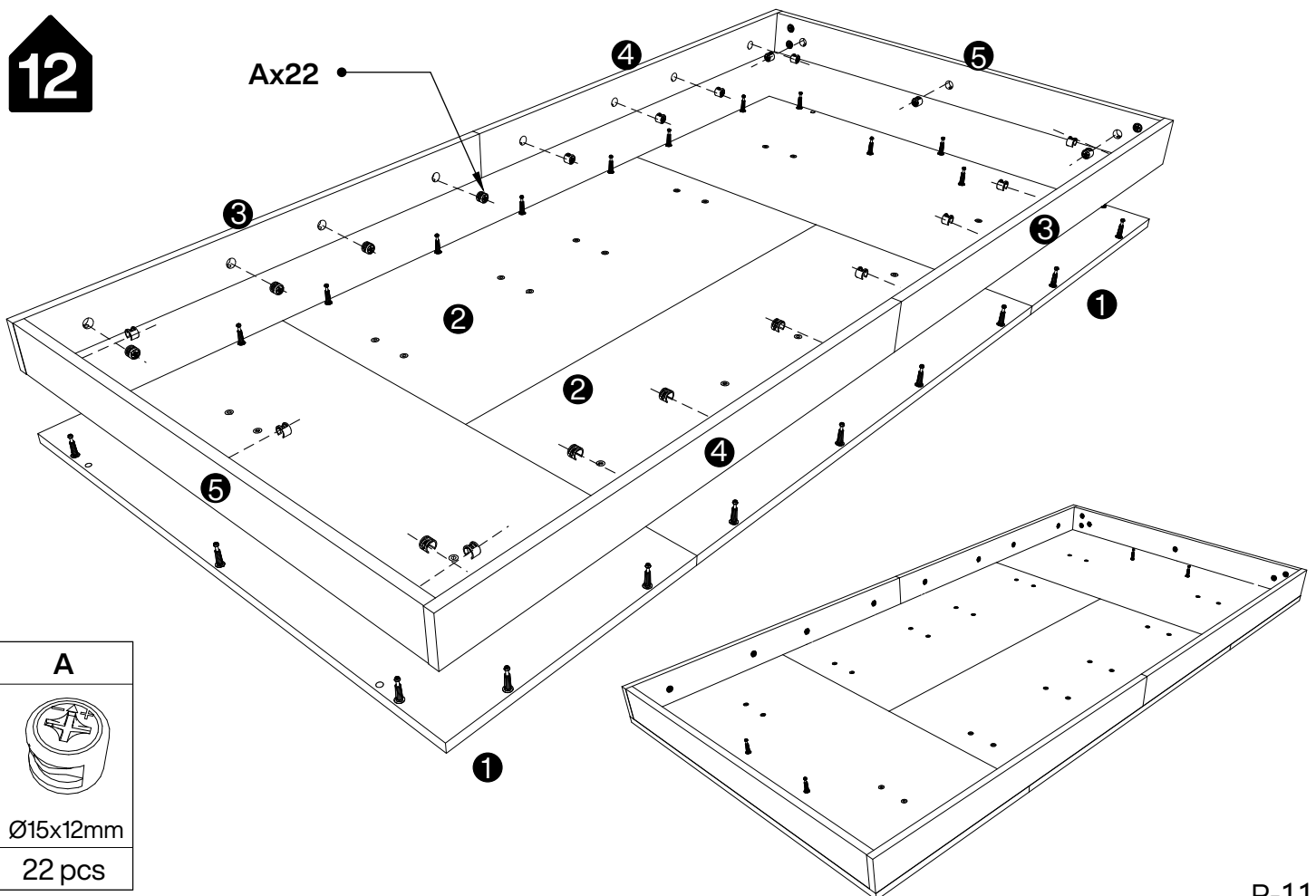
C

Ø8x30mm
4 pcs

11



B

M6x40mm
26 pcs


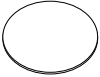
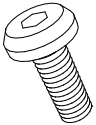
12

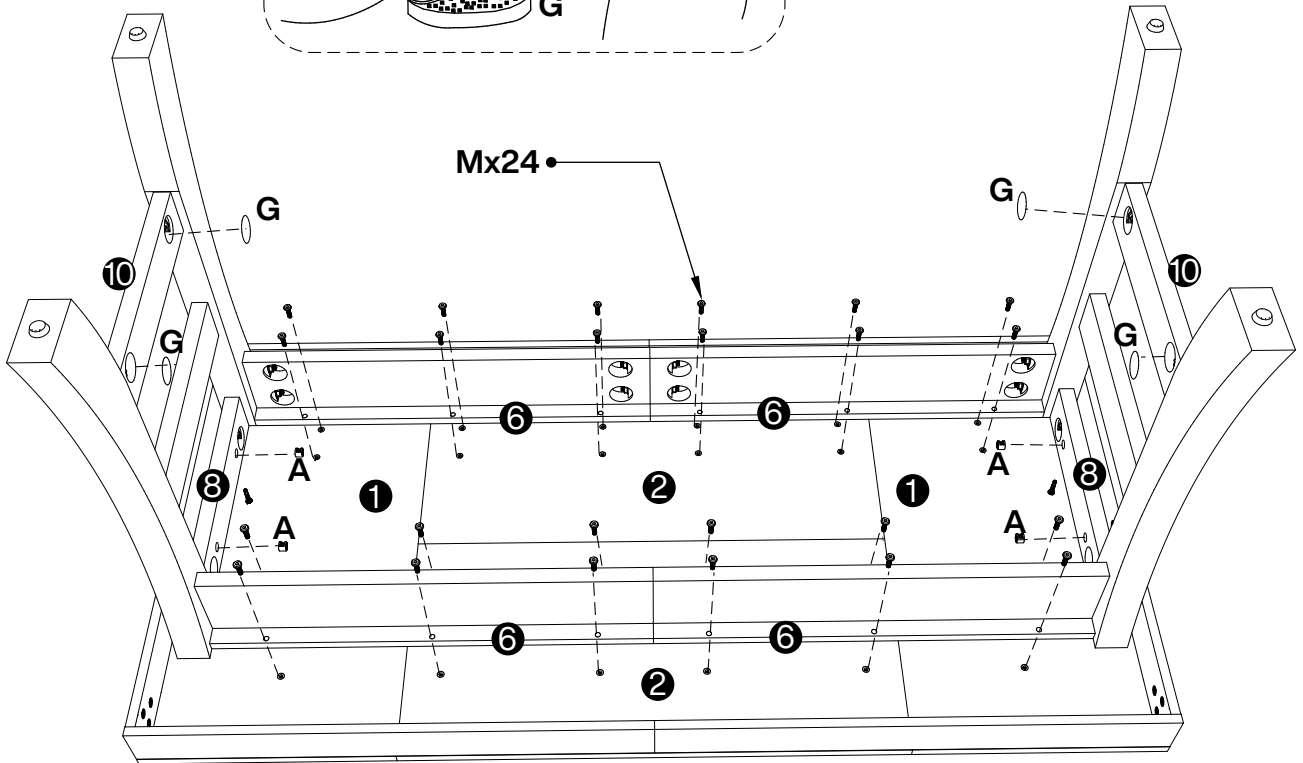
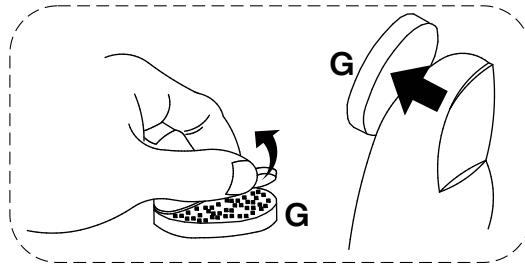


A

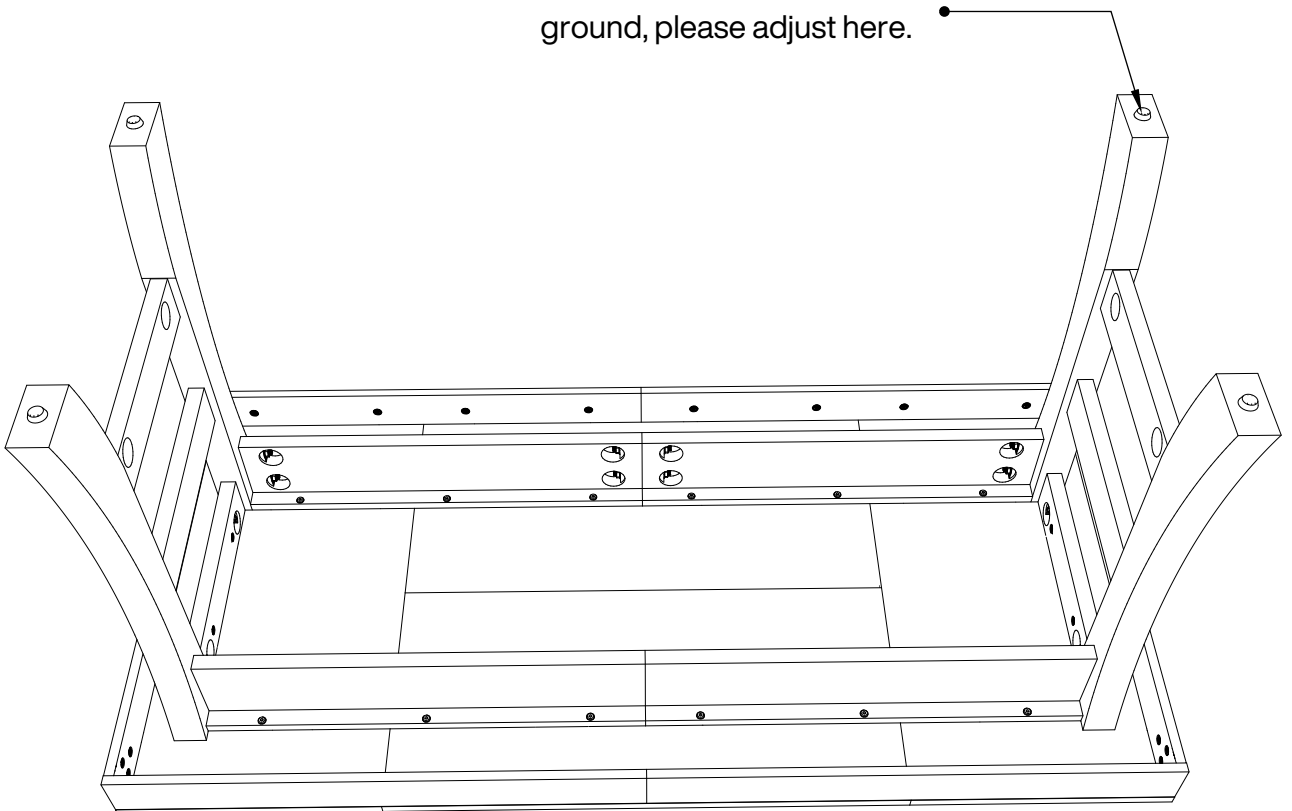
Ø15x12mm
22 pcs

13

A

Ø15x12mm
4 pcs
G

4 pcs
M

M6x25mm
24 pcs



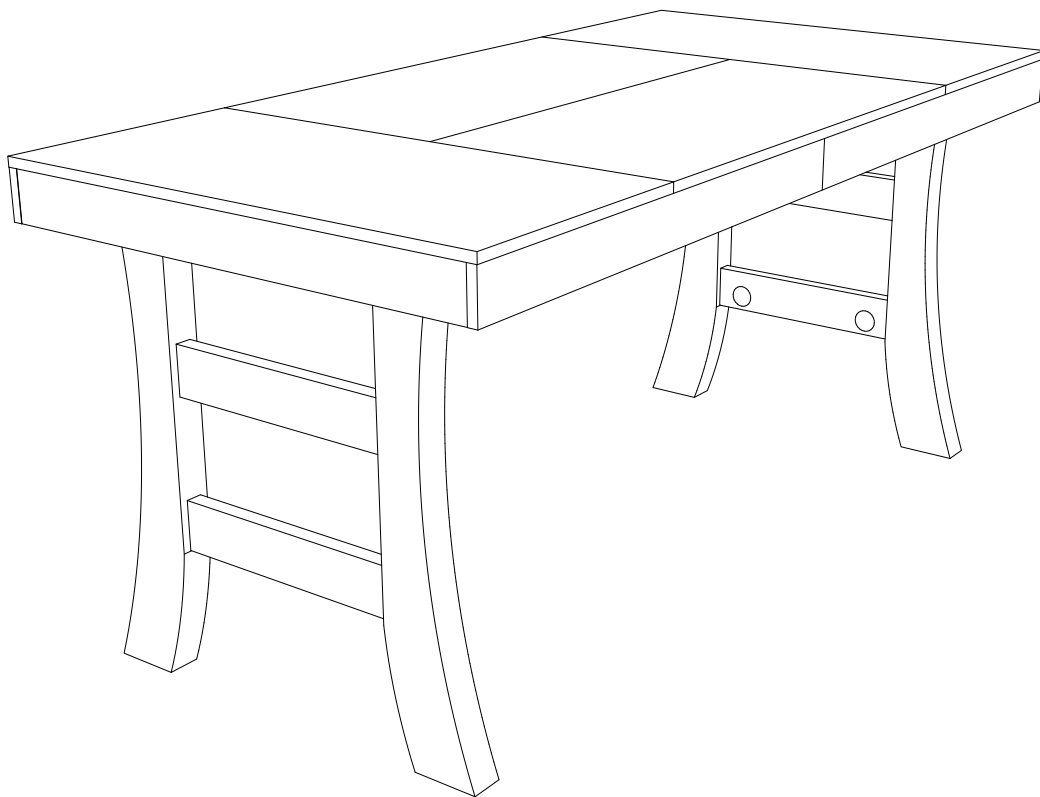
When it is not level on the ground, please adjust here.





DESIGNED FOR LIFE

Thank you for your support!



Contact our customer service team



support@tribesigns.com

www.tribesigns.com



1-424-220-6888

Contact us anytime except
12:00 AM to 8:00 AM EST.



Facebook



Instagram



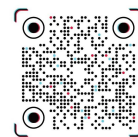
Pinterest



Twitter



YouTube



TikTok



WhatsApp