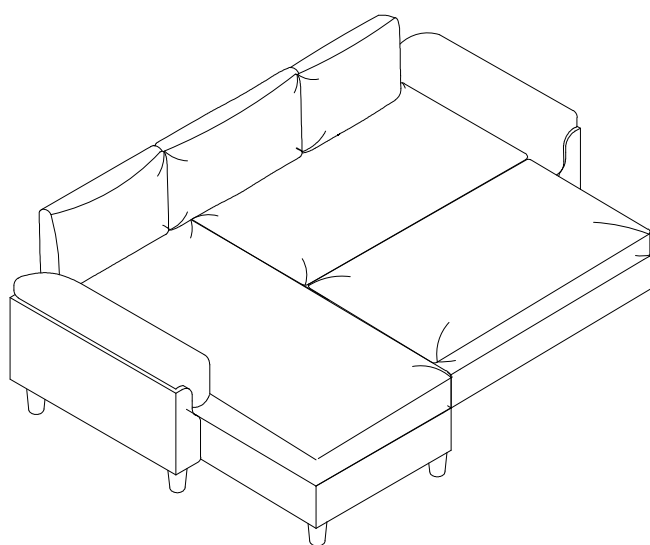
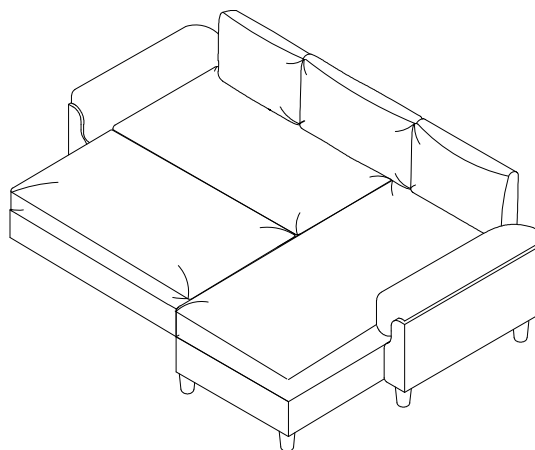


# Assembly Instructions

SHIP IN  
**2**  
BOX

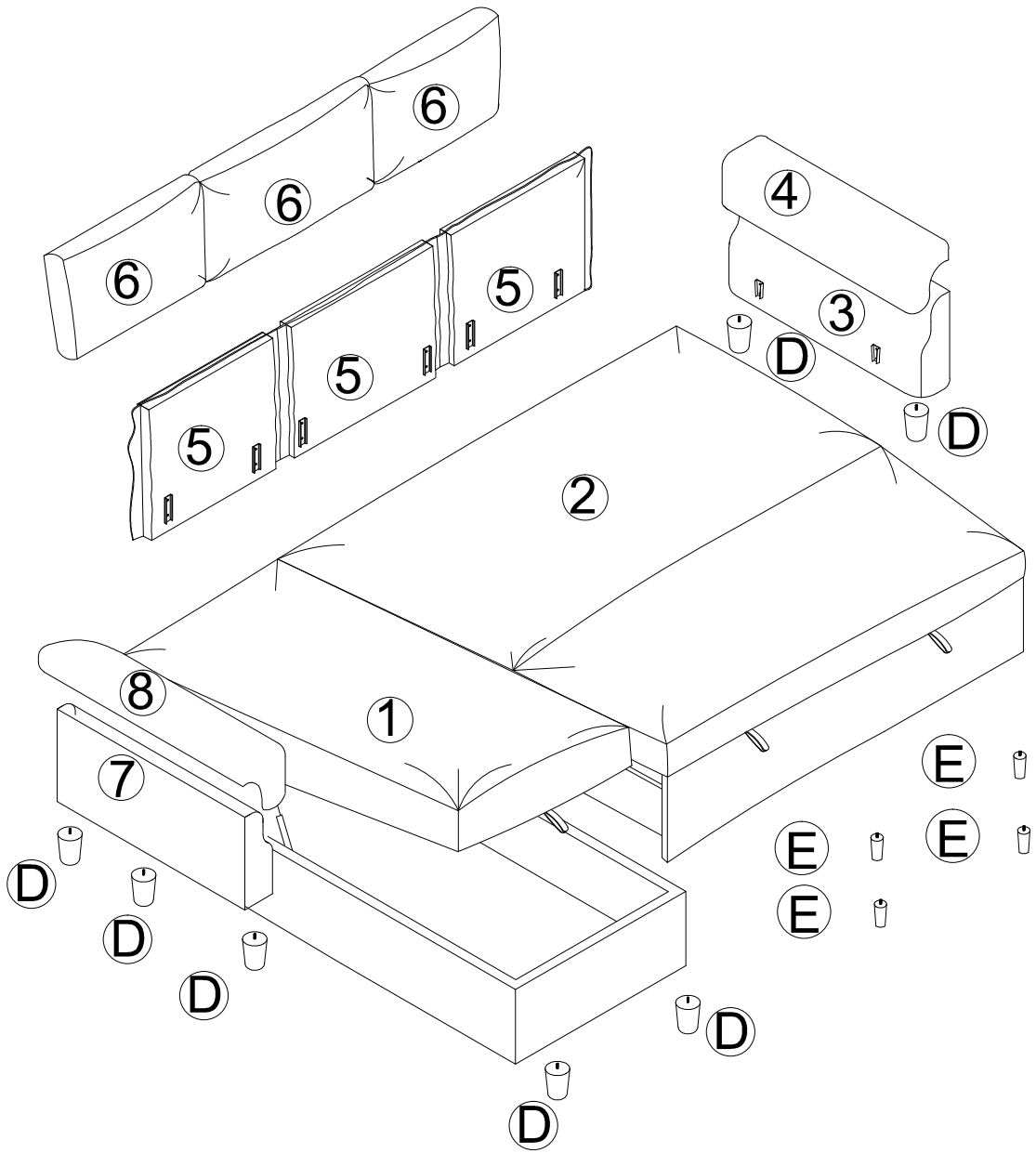


Shape A










Shape B

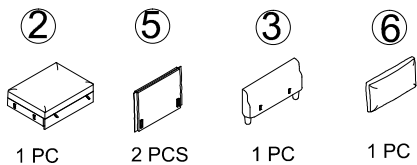
# Parts List



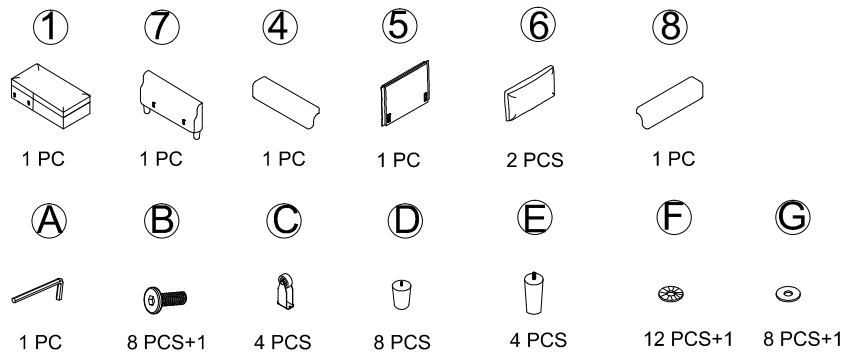
# Hardware List

A		M 4	Allen Wrench	1 pc
B		Ø1/4x20mm	Bolts	8 pcs + 1
C		97mmH	wheels	4 pcs
D		Ø80mmx97mmH	Round legs	8 pcs
E		Ø45mmx97mmH	legs	4 pcs
F		Ø45mm	Plastic Washer	12 pcs + 1
G		Ø16mm	Metal gasket	8 pcs + 1

## BOX 1



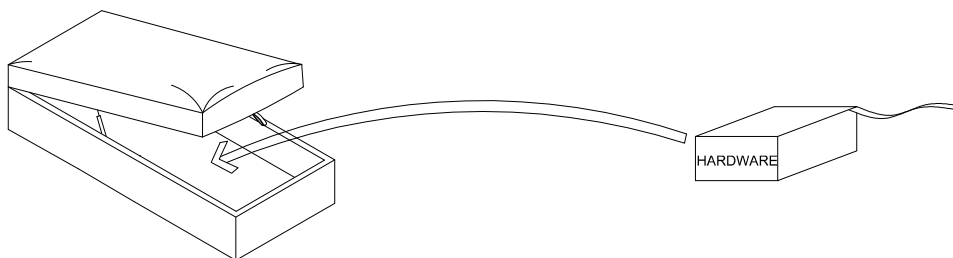
## BOX 2



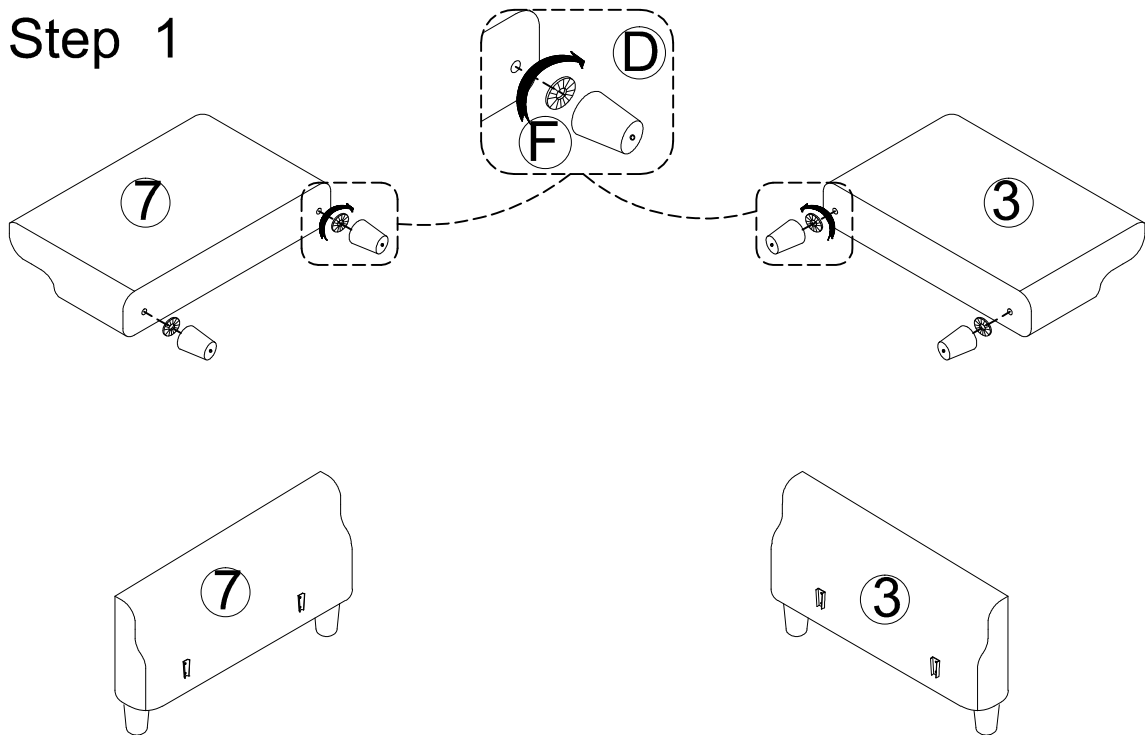
### Note :

1、 Open the seat frame of the chaise longue and all the parts are inside.

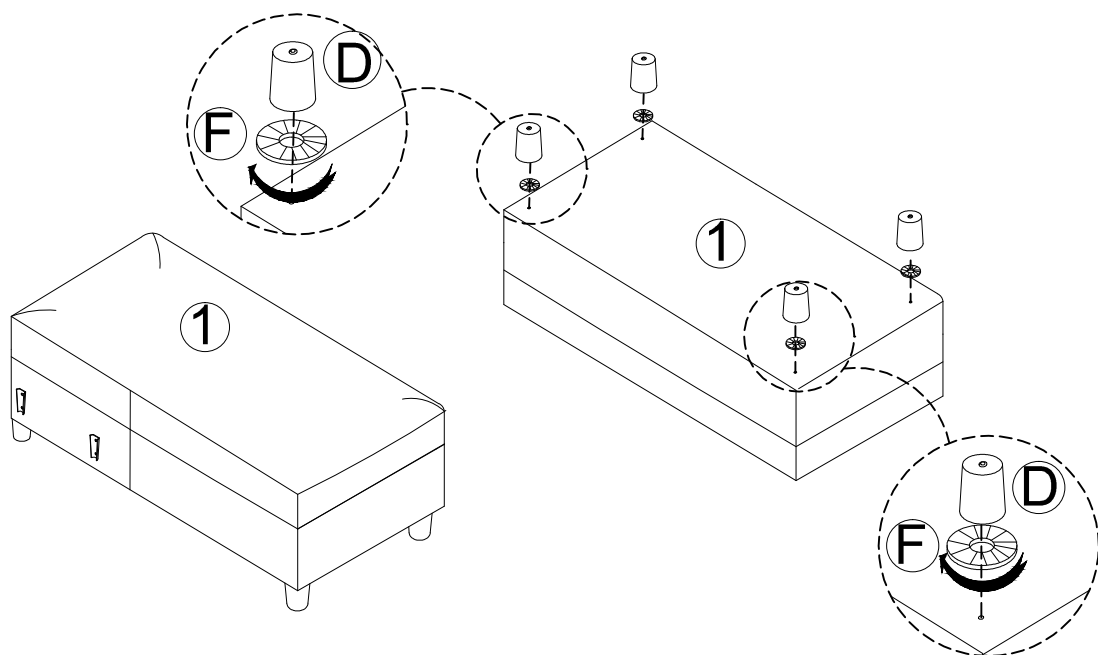
2、 The hardware (A,B,C,D,E,F,G) are in this hardware box of BOX2.



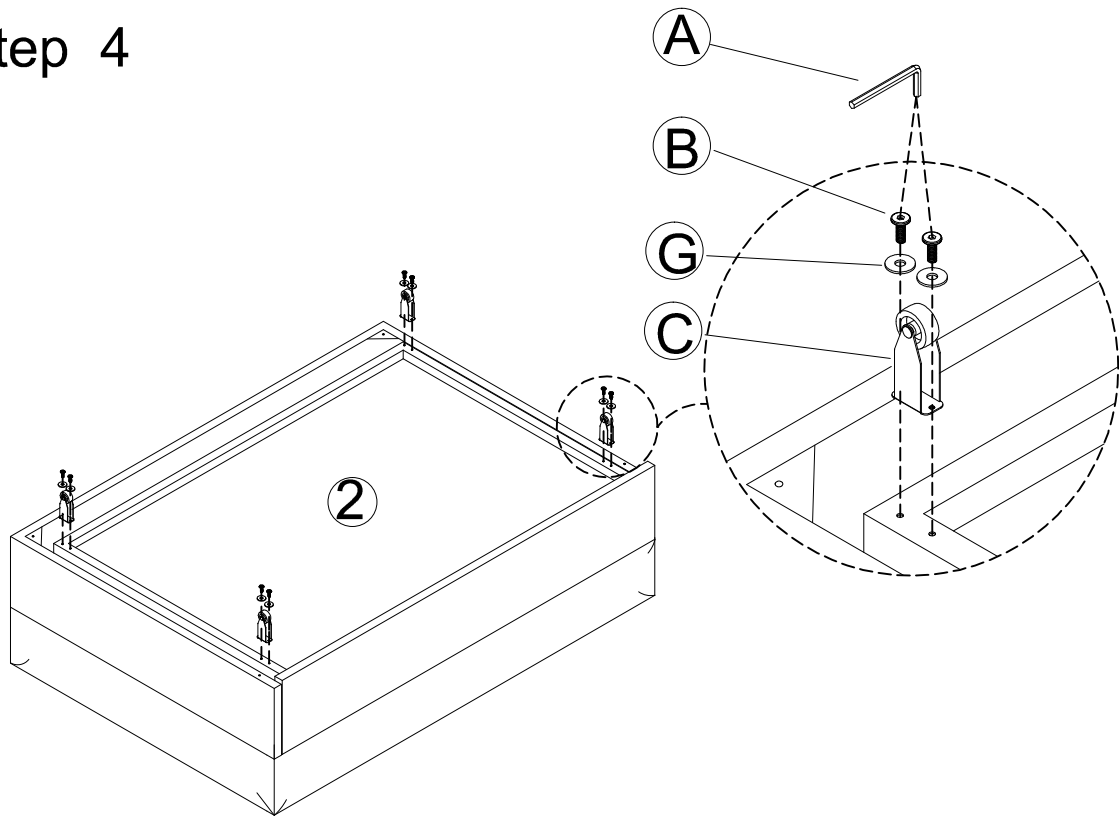
## Step 1



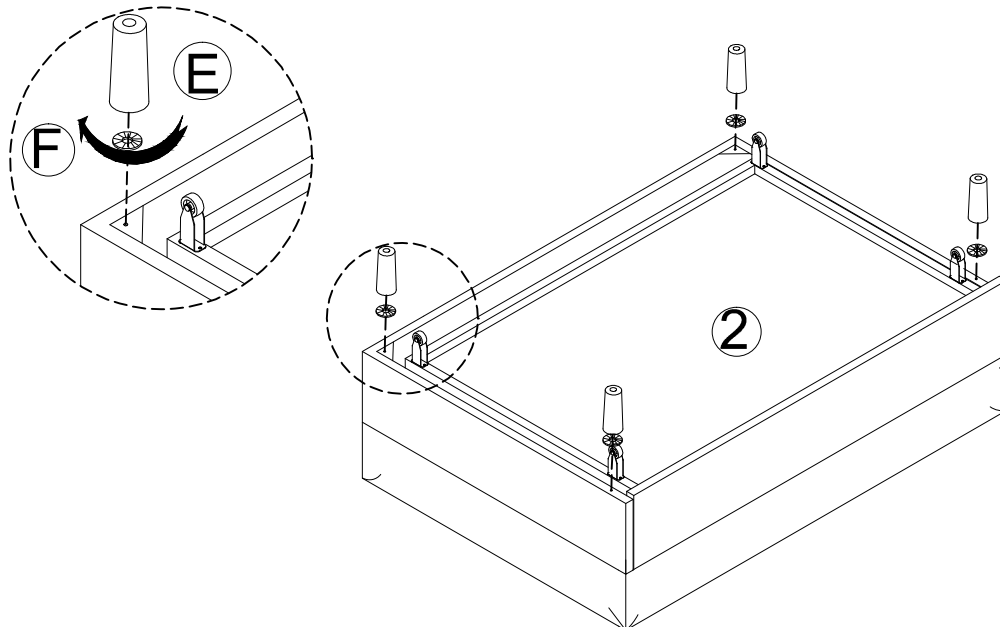
## Step 2



## Step 4



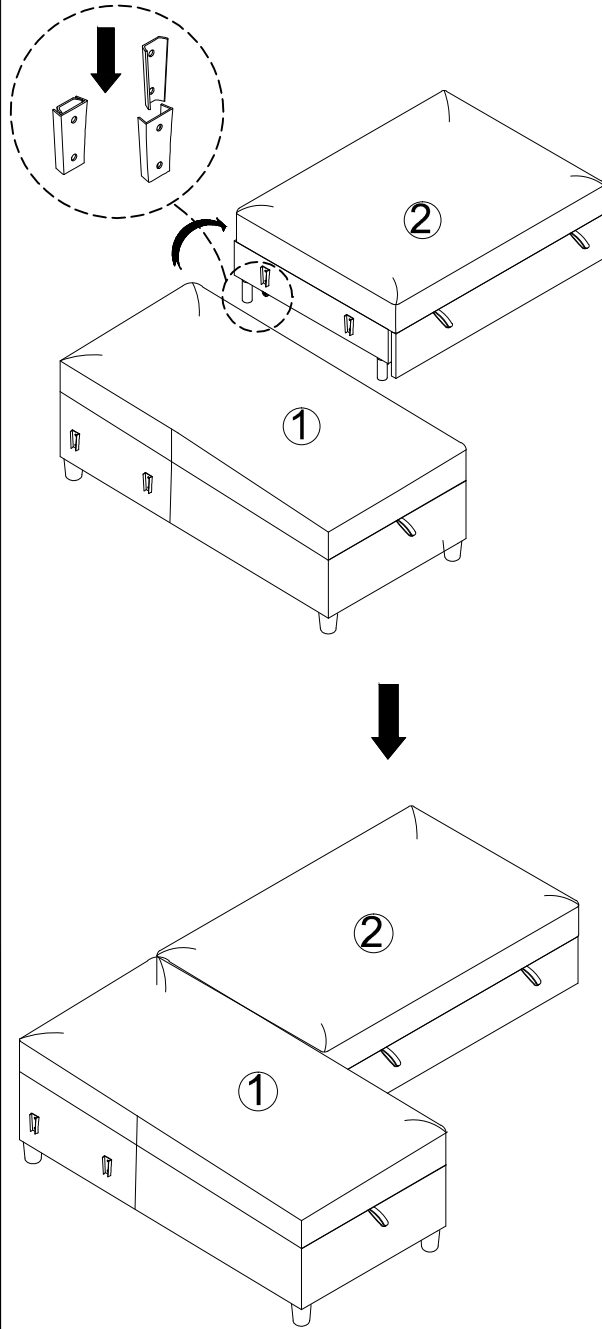
## Step 5



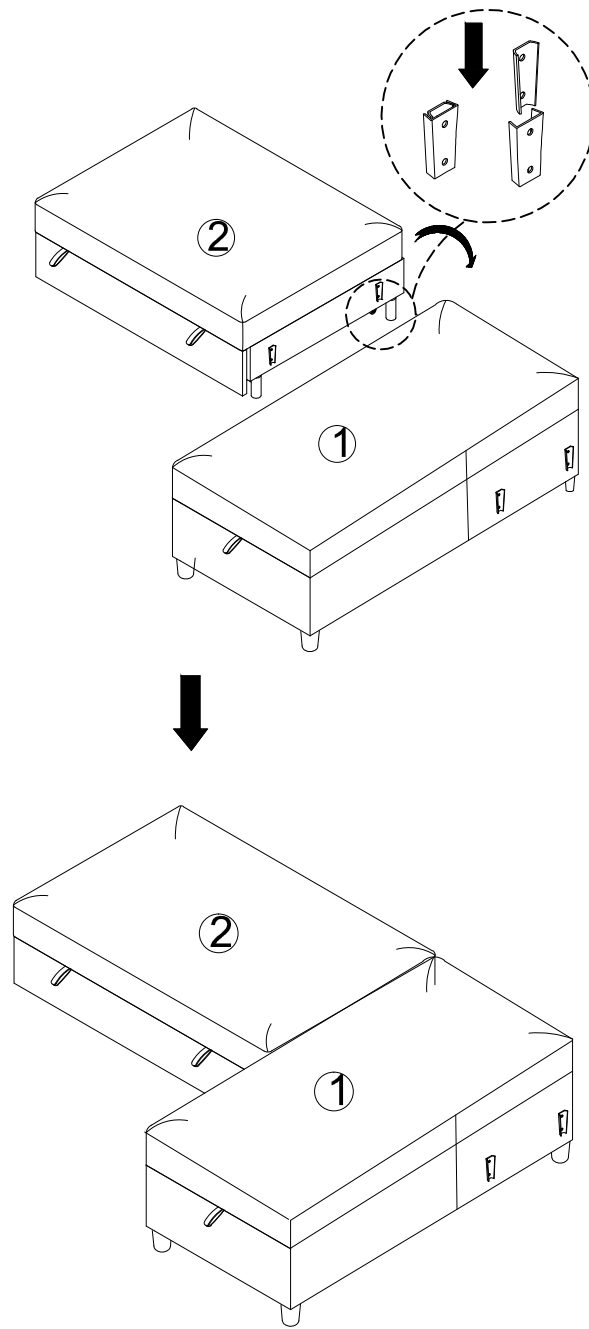
## Step 6

From this step, it is divided into two columns. The left and right columns correspond to shape A and shape B respectively. You can choose according to your needs.

Shape A

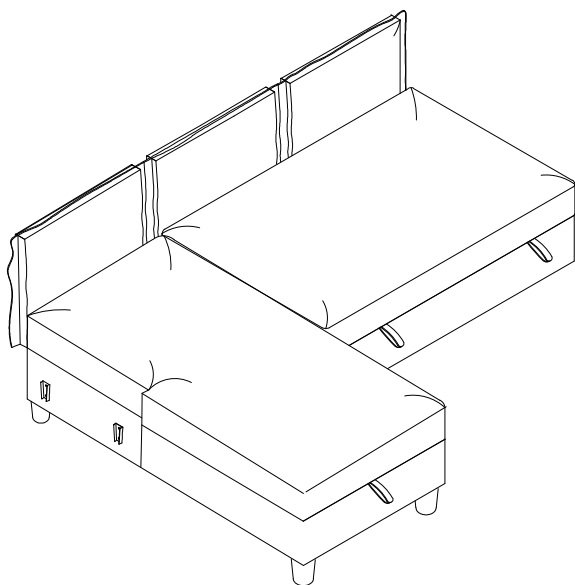
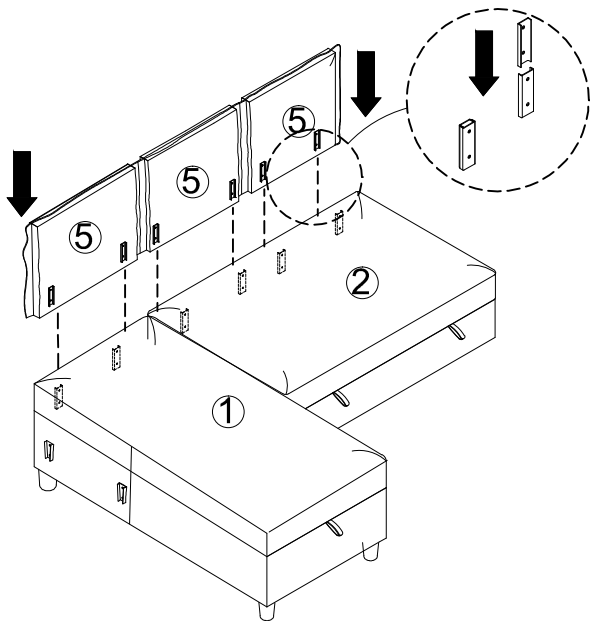


Shape B

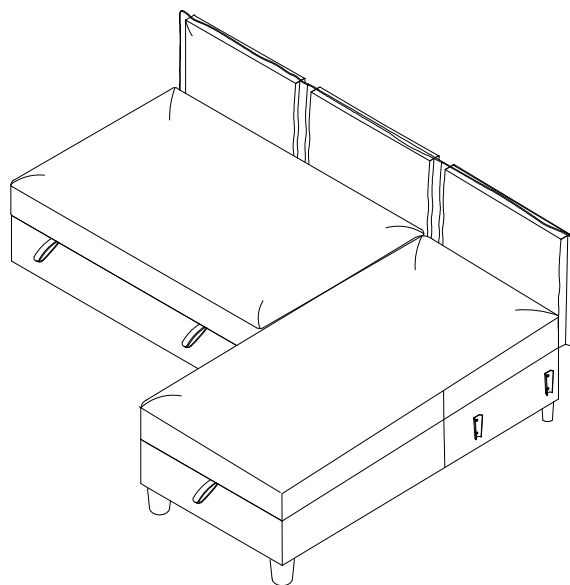
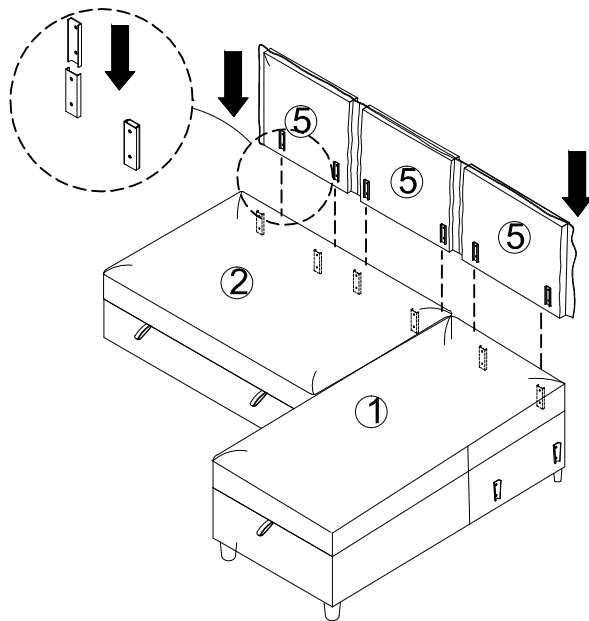


# Step 7

Shape A

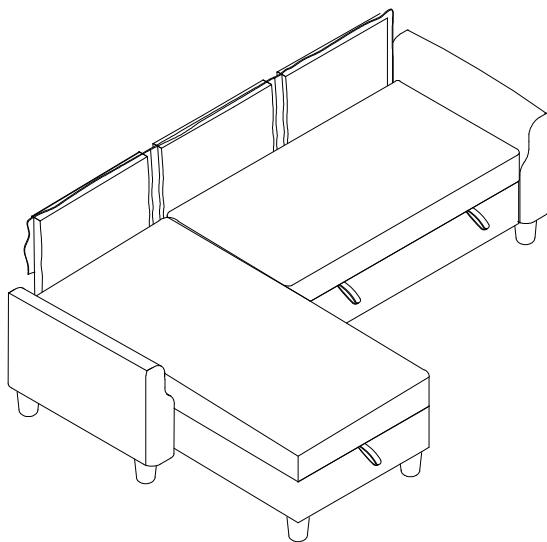
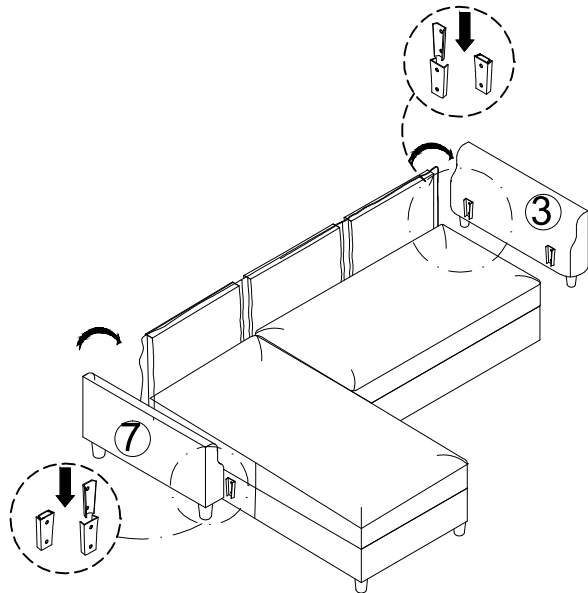


Shape B

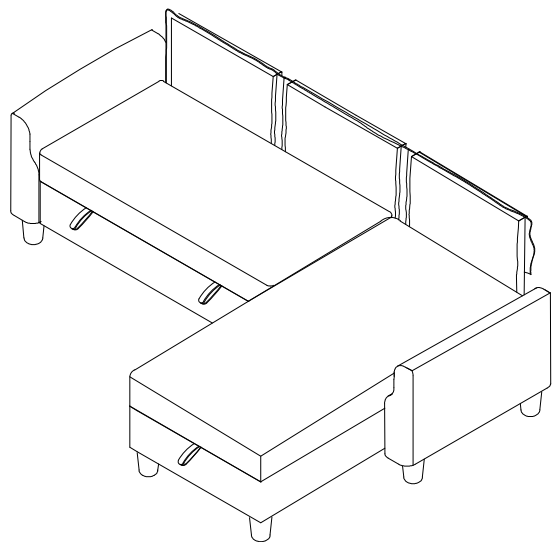
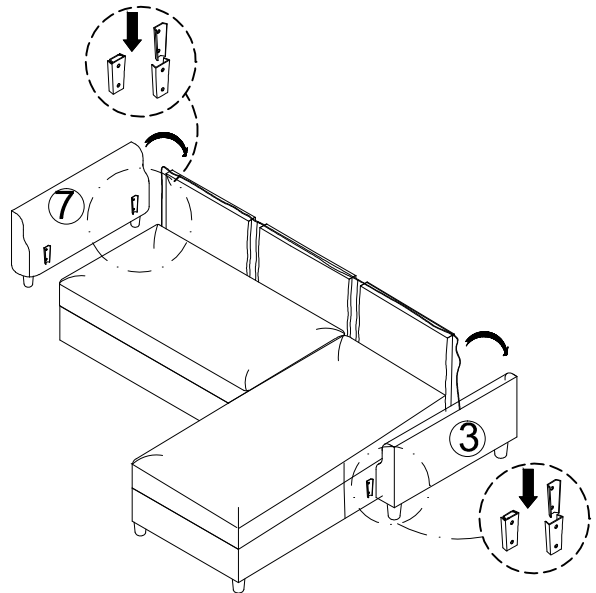


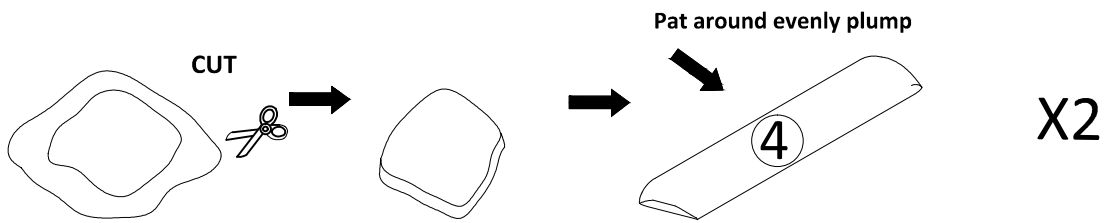
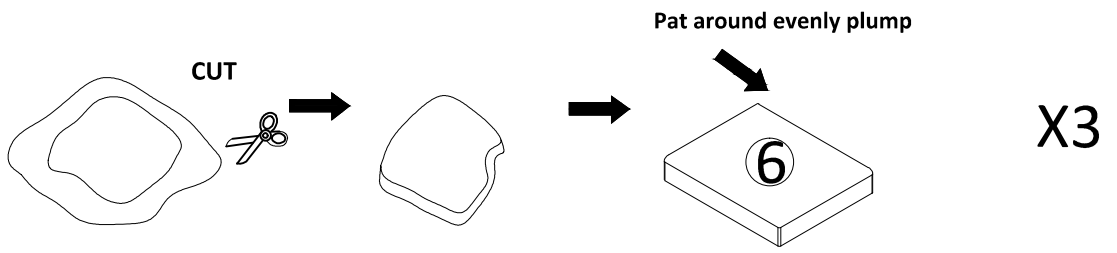
# Step 8

Shape A



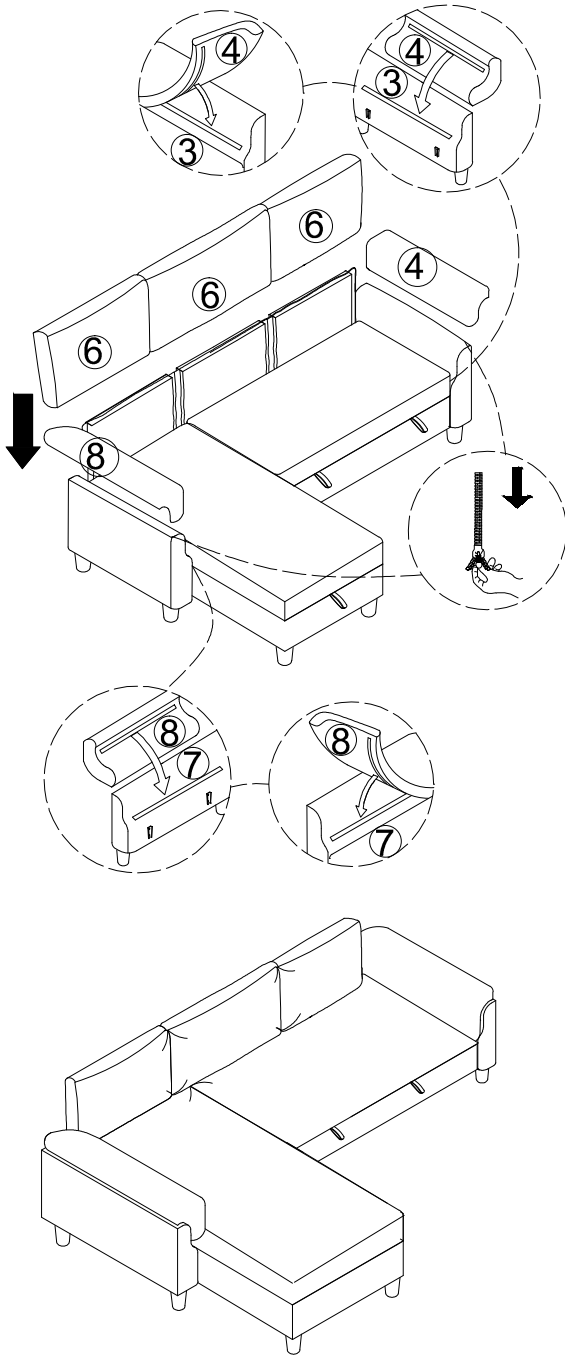
Shape B



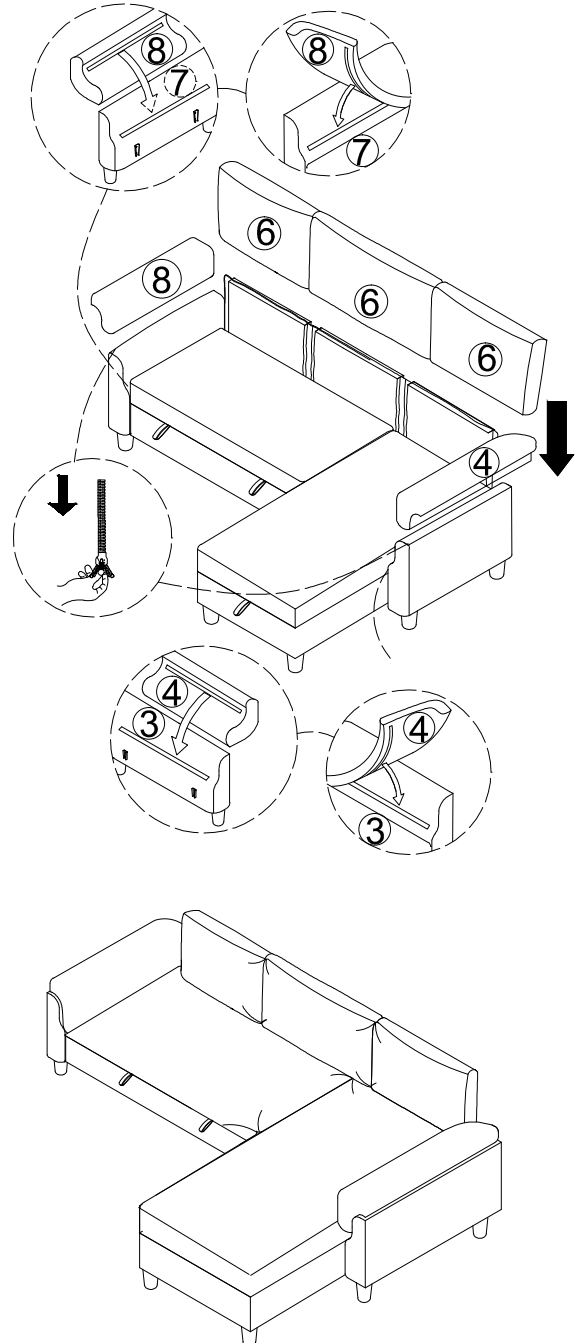


# Step 9

Shape A

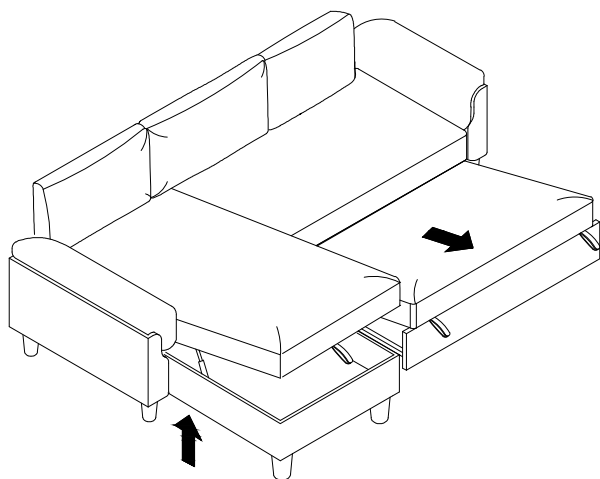


Shape B

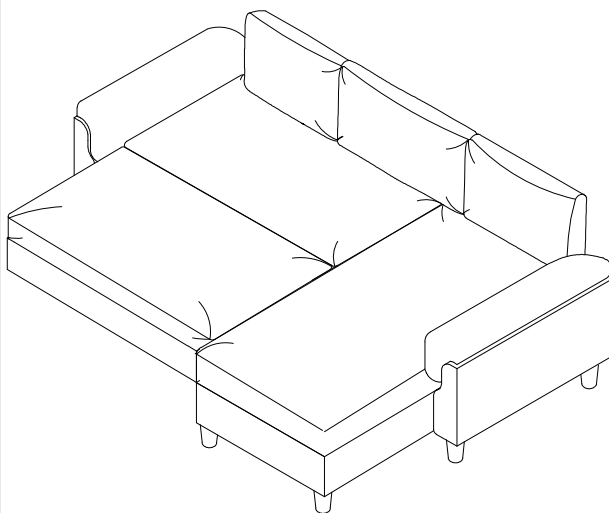
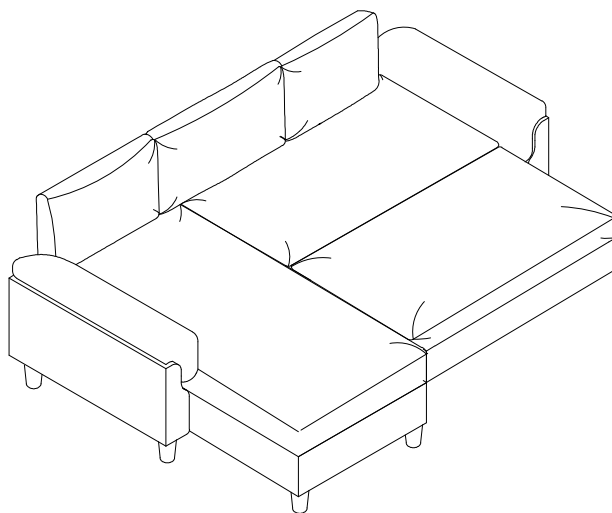
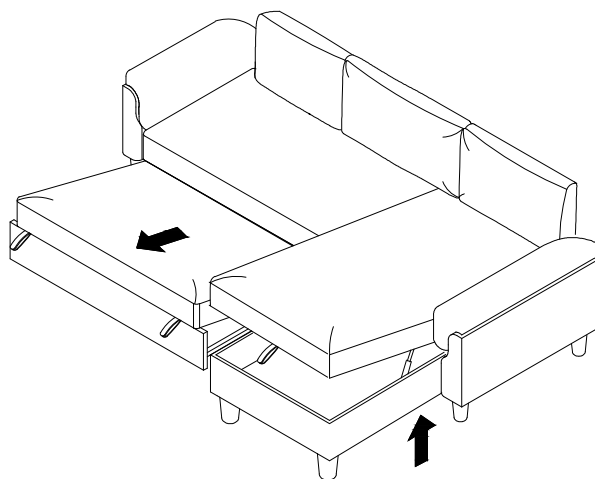


# Step 10

Shape A



Shape B



Final Assembly