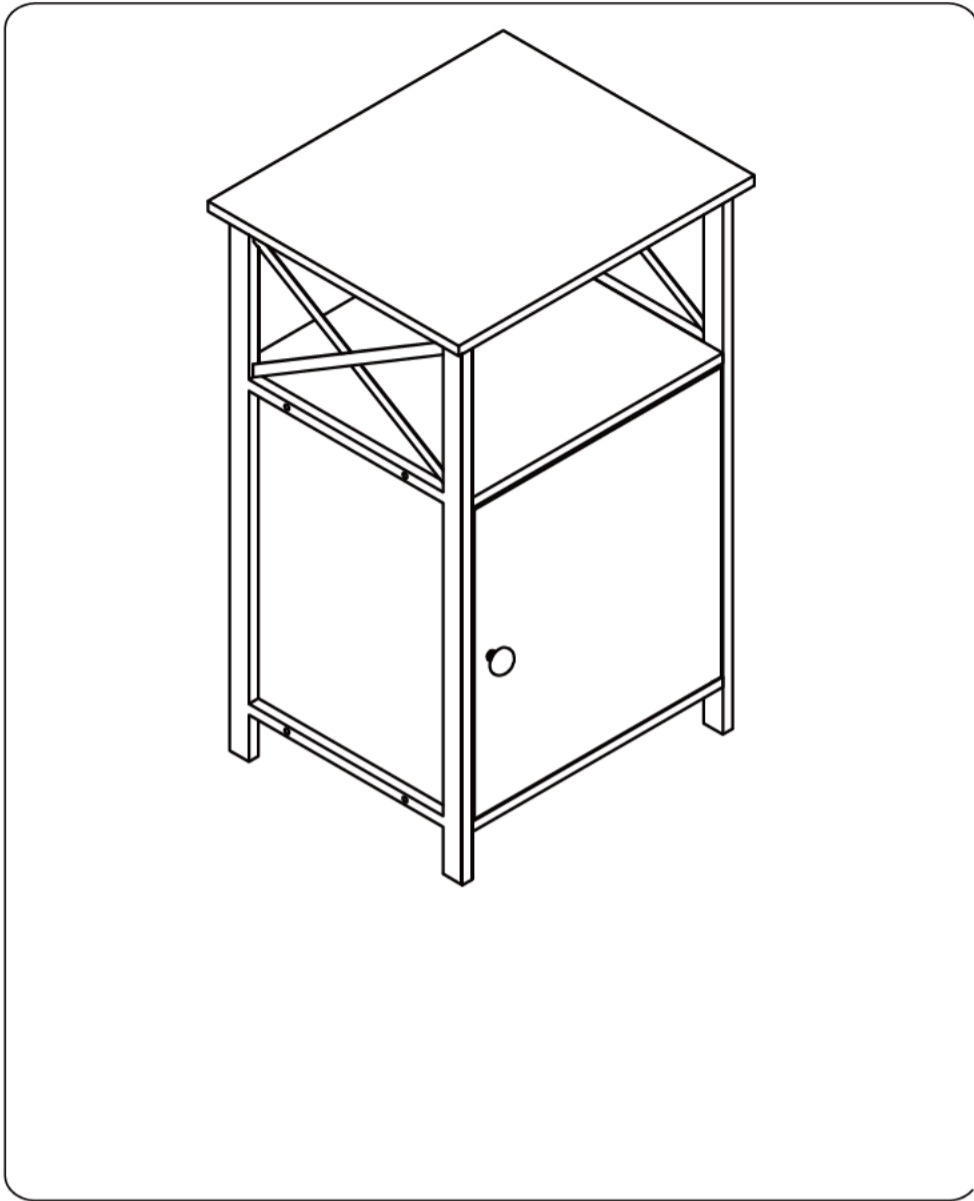


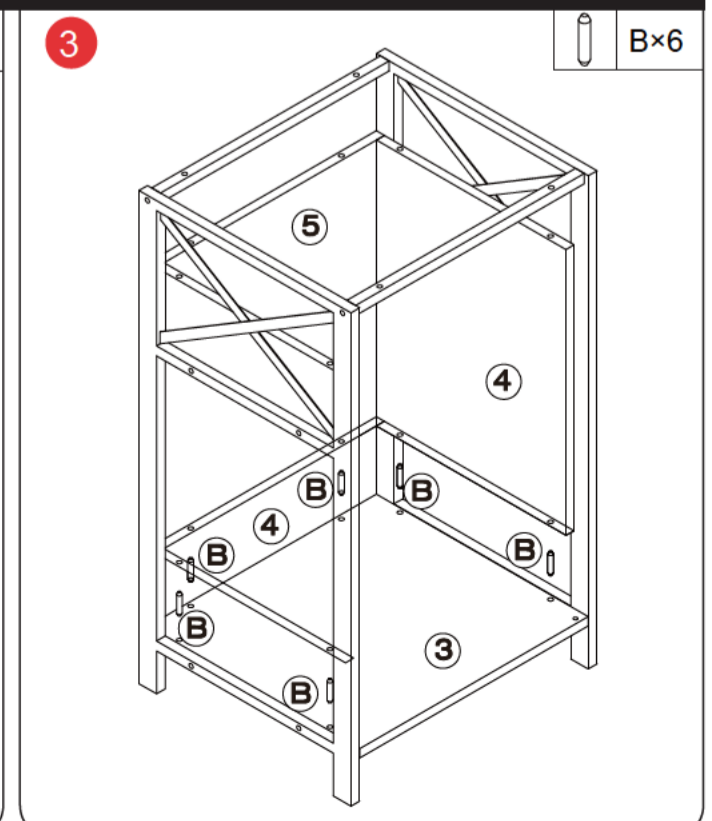
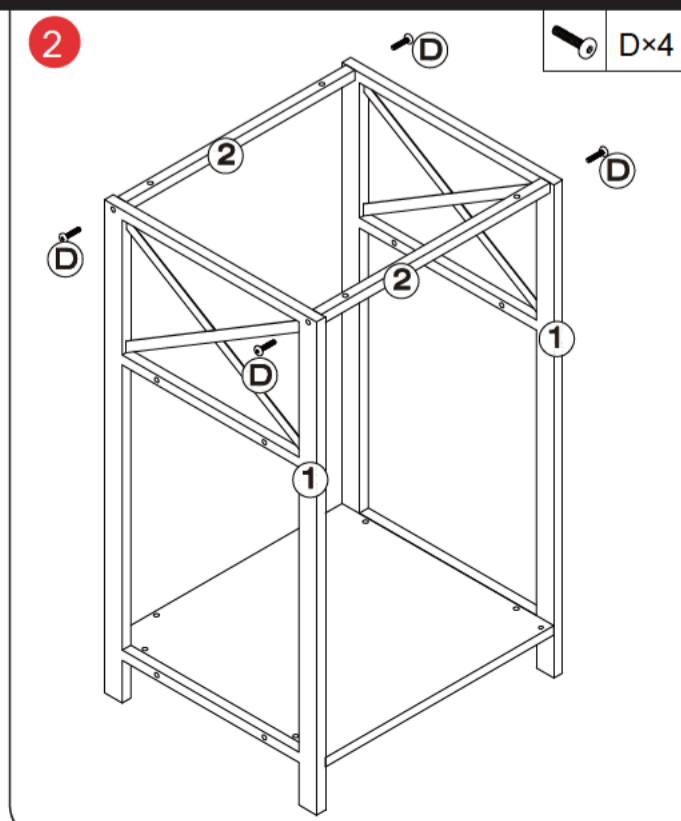
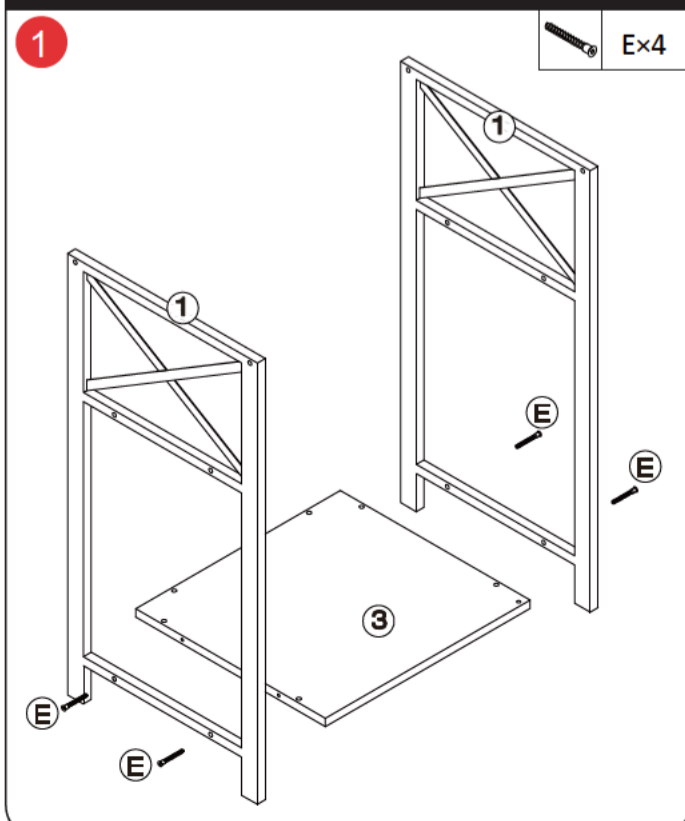
# Assembly Instructions

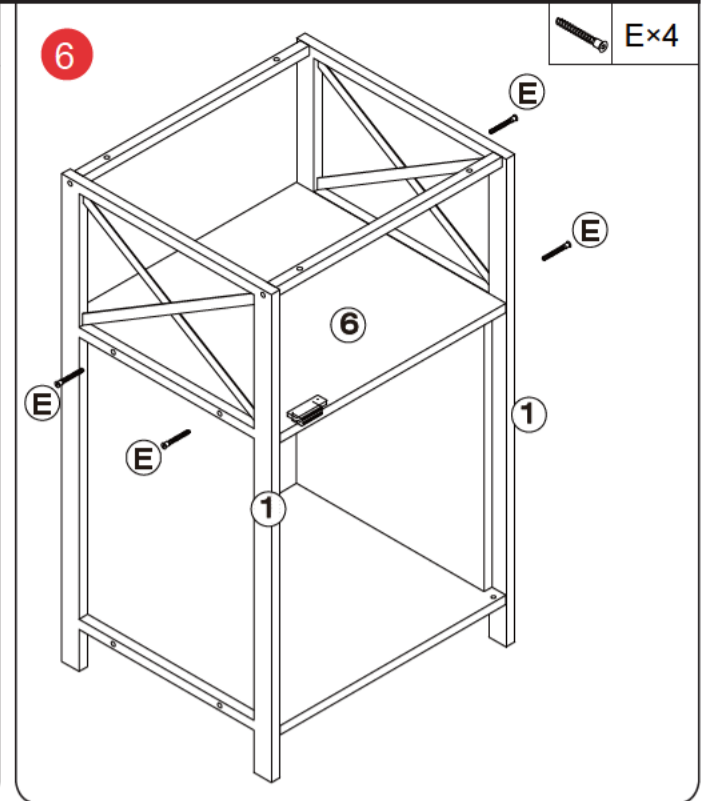
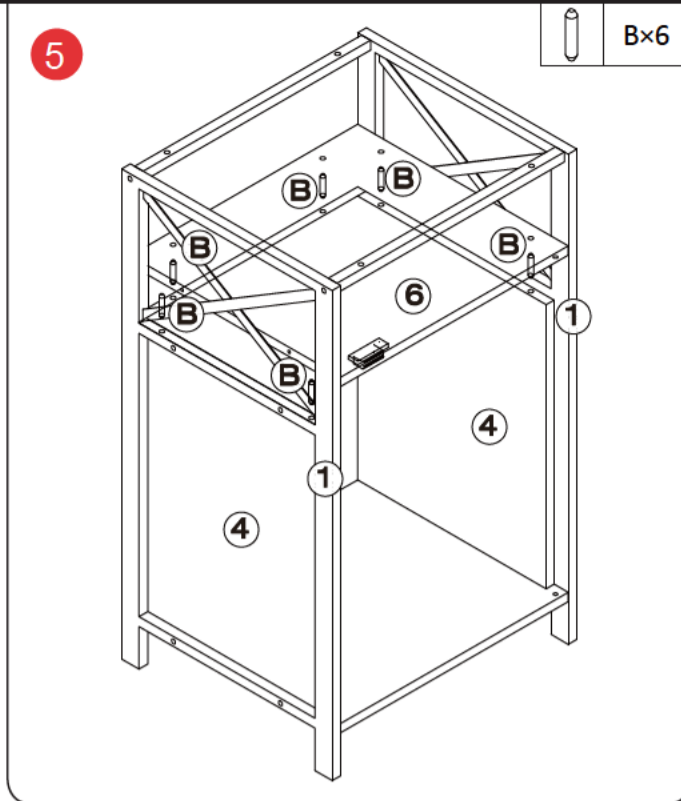
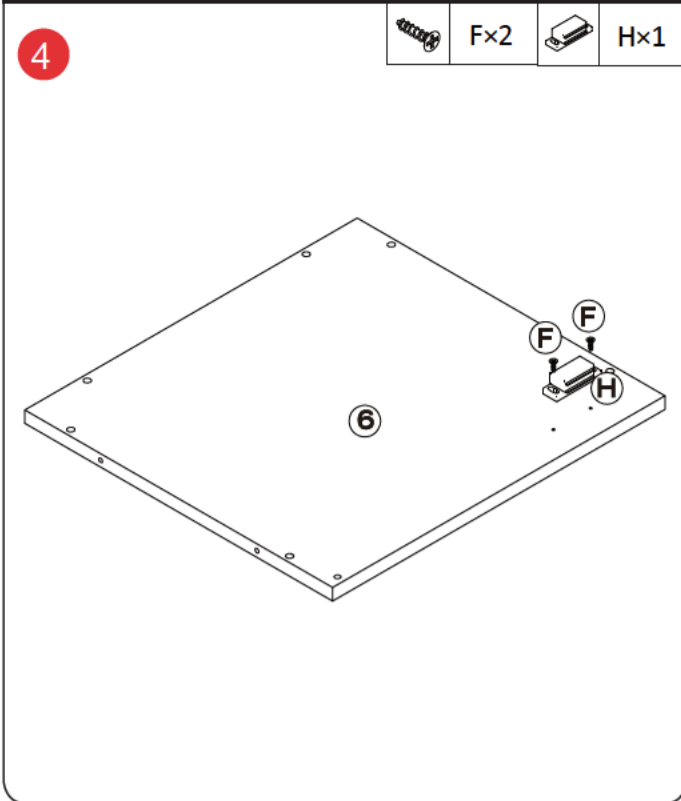


Components					
1		2	2		2
3		1	4		2
5		1	6		1
7		1	8		1

Screws&Tools					
A		1	B		12
C		2	D		8
E		8	F		2
G		2	H		1
I		1			

## StepA : Main frame assembly





**StepB : Cabinet door assembly**

