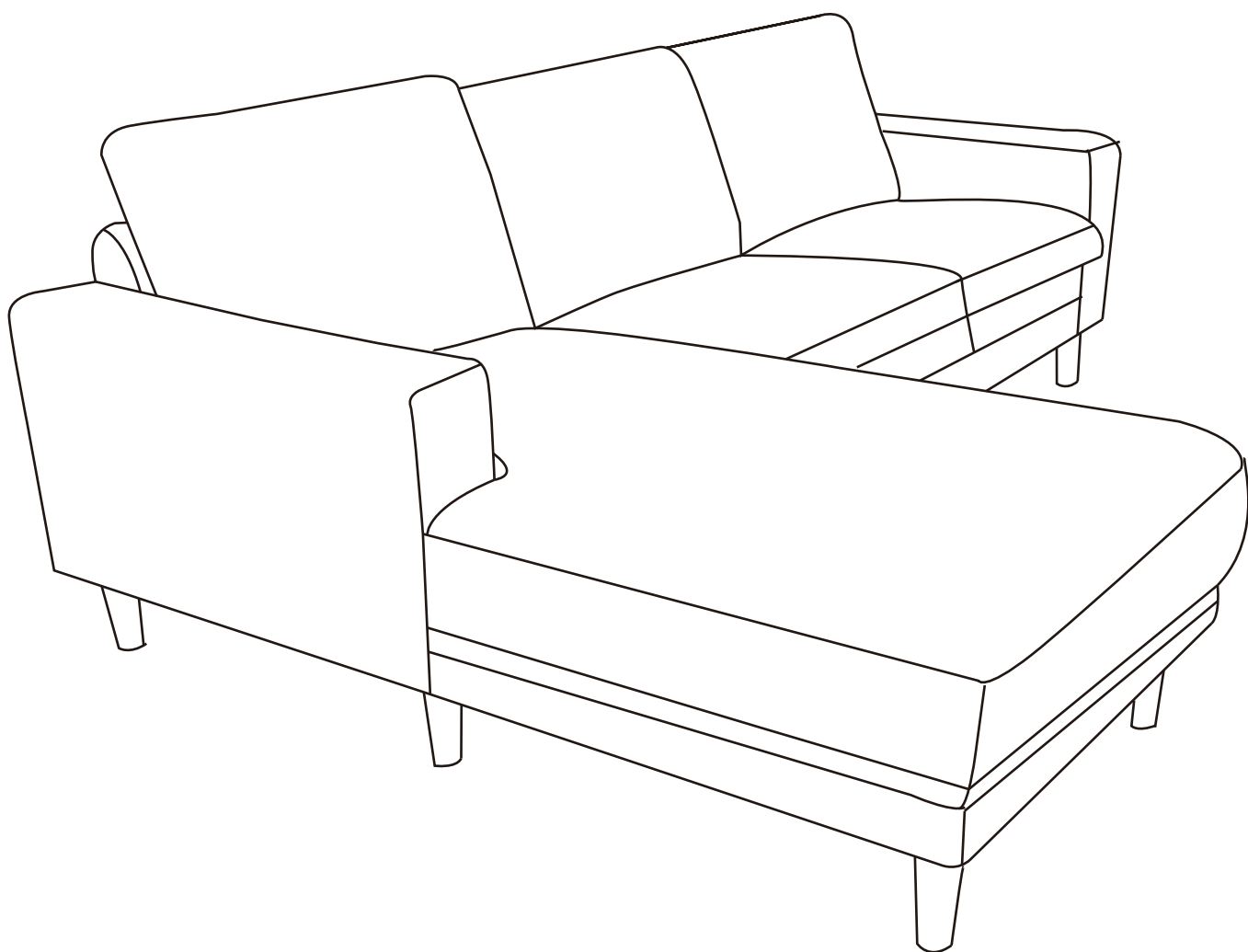


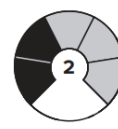
ASSEMBLY INSTRUCTIONS



TIME



2 OF PEOPLE



DIFFICULTY

NOTICE

Instruction Booklet - Important Safety Information

Thank you for choosing our product. Please review this booklet carefully for essential safety information and keep it for future reference.


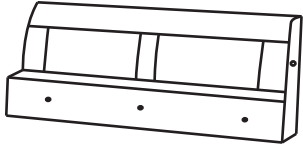
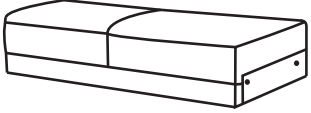

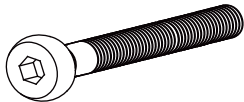
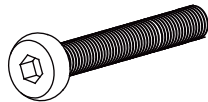
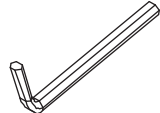

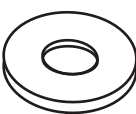

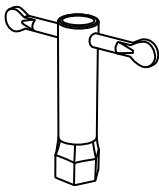


- Upon receiving the product, ***ensure all parts are present and intact*** before proceeding with installation. Follow the entire installation instructions provided.
- During installation, exercise caution and refrain from immediately tightening screws. Secure all screws to 80% before final tightening.
- The item has been divided into **3** packages. If your multi-package order does not arrive simultaneously, please allow 1-3 working days for the remaining package to arrive promptly.
- Note: Cushions are ***compressed*** and cannot be recompressed once opened. Returns are accepted only for items in their ***original, unopened condition***.



Before installation, please check that the parts are all included !

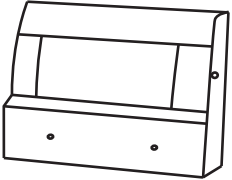



Carton A

Materials ▶

				
Back Cushios ① x2	Two Seater Backrest ③ x1	Two Seater Frame ⑤ x1	Sofa Feet ⑧ x4	
				
M8x70mm Ax2	M8x50mm Bx5	M5mm Cx1	M8x80mm Dx6	
				
Φ30mm Ex17	M8 Fx9	80x70mm Gx1	M8 Hx17	Φ30x3mm Jx9

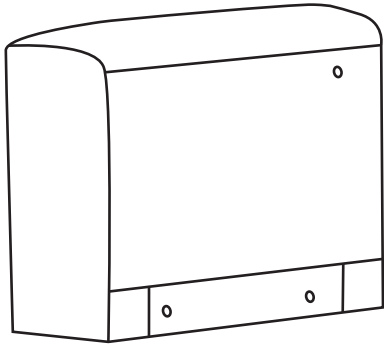
Carton B

Materials ▶

			
Chaise Backrest ② x1	Chaise Seat Fram ④ x1	Sofa Feet ⑧ x5	Back Cushios ① x1

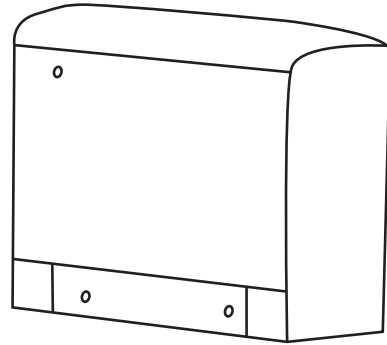
Carton C

Materials ▶



Left Arm

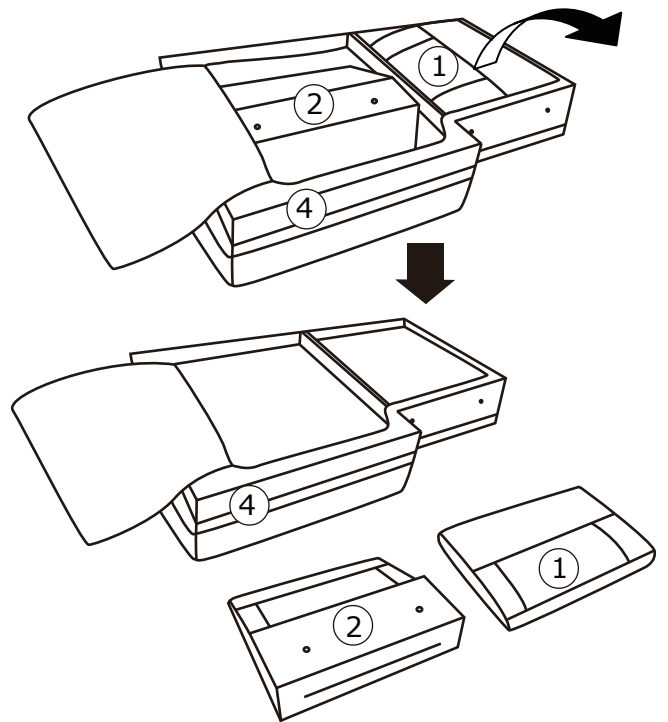
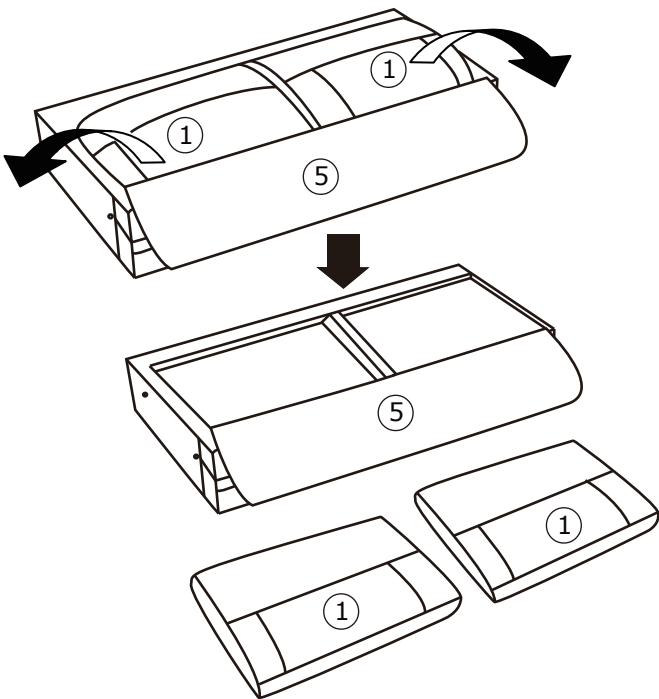
⑥ x1



Right Arm

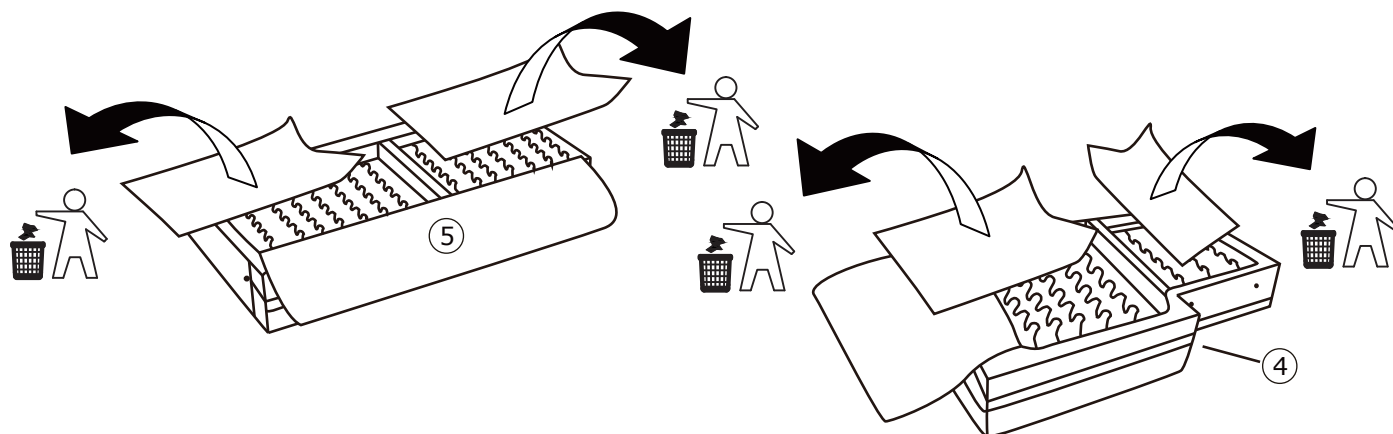
⑦ x1

Installation Steps

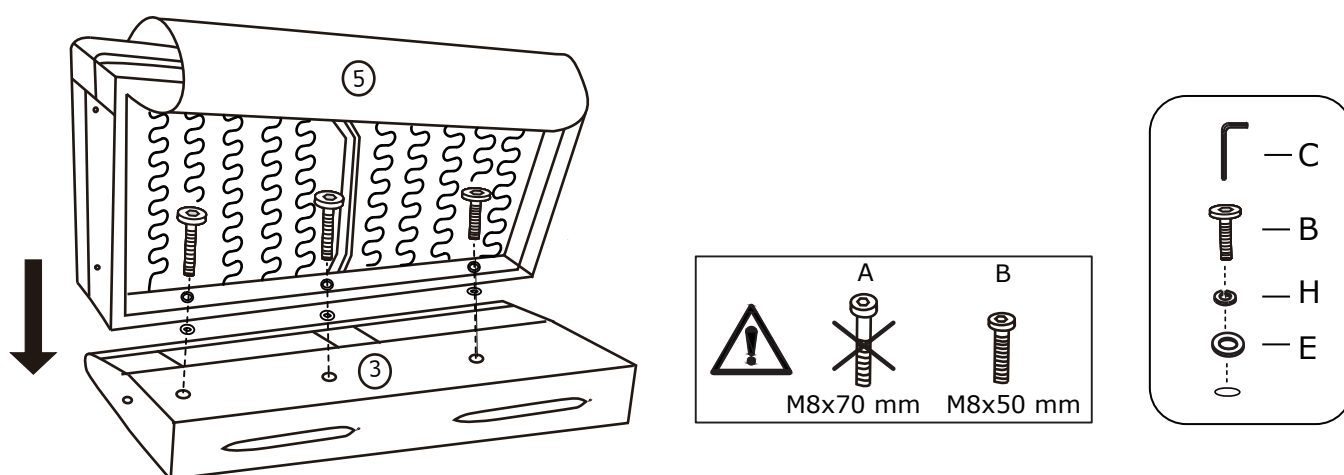


Step 1

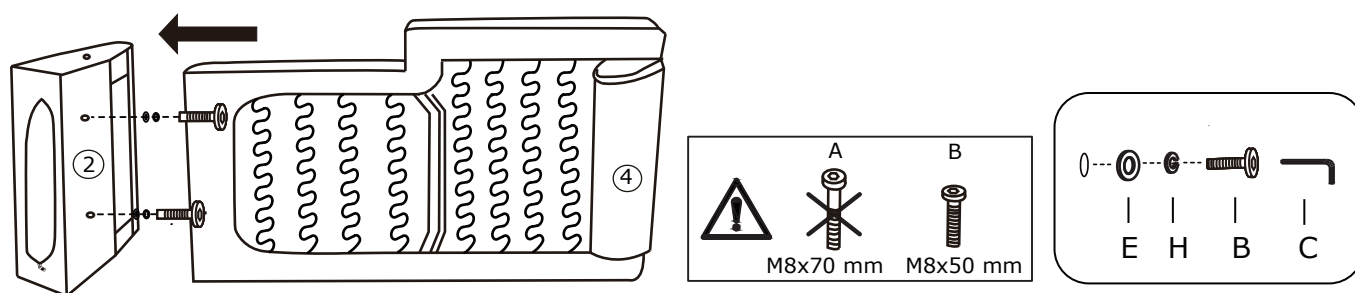
Open the double seat box 5 and the Royal seat box 4 and take out the accessories 1 and 2 inside



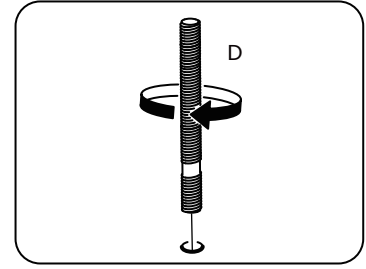
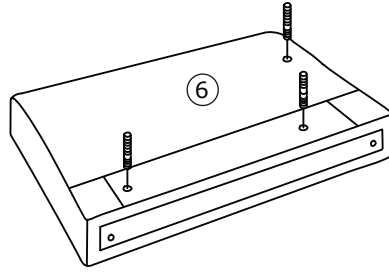
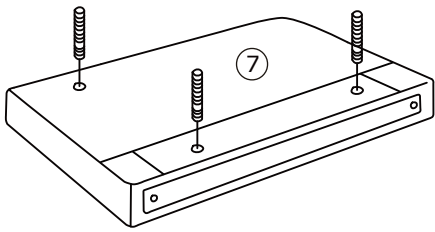
Step 2 Remove the cardboard from the 4 and 5



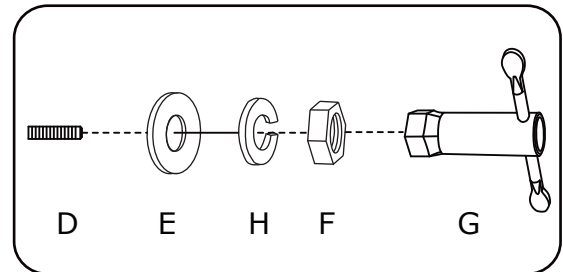
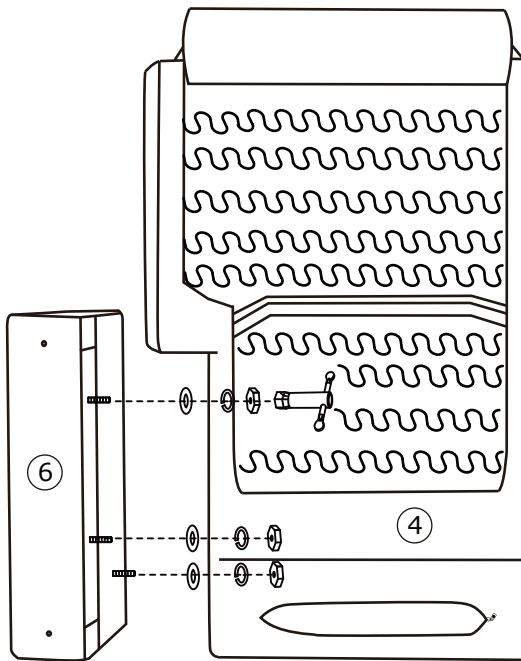
Step 3 Connect the backrest 3 and seat frame 5 with screws as shown in the figure. 3 screws need to be installed



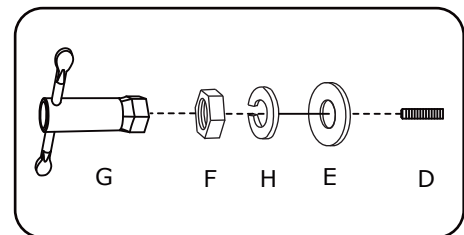
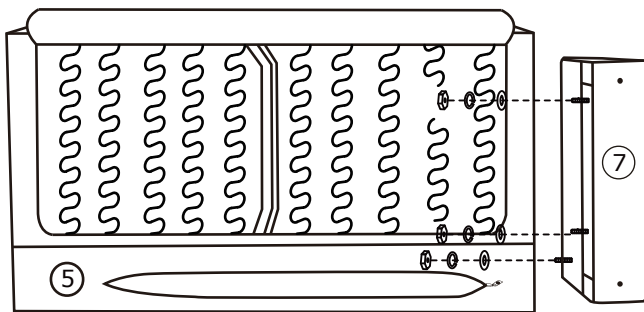
Step 4 Connect the seat frame 4 and the backrest 2 with screws according to the figure. Two screws need to be installed



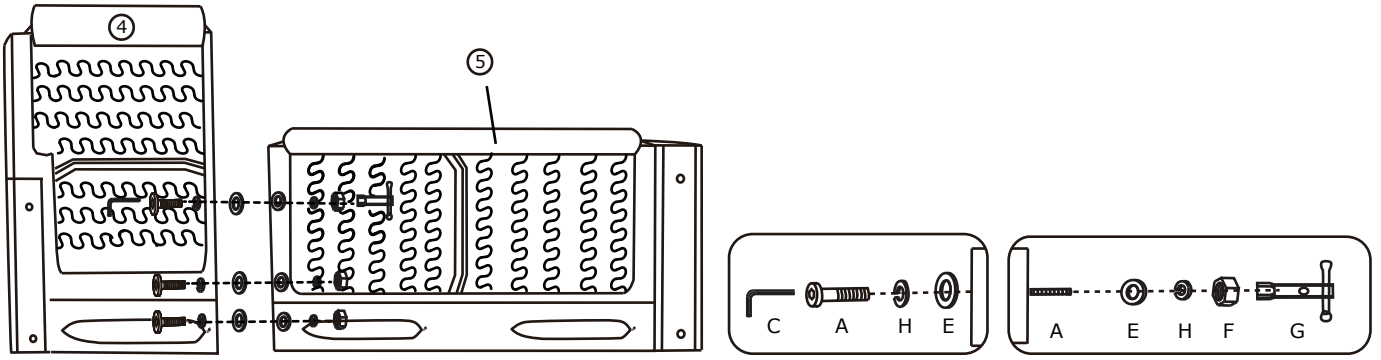
Step 5 Place the D-screw first in the holes of the two handrails (6&7)



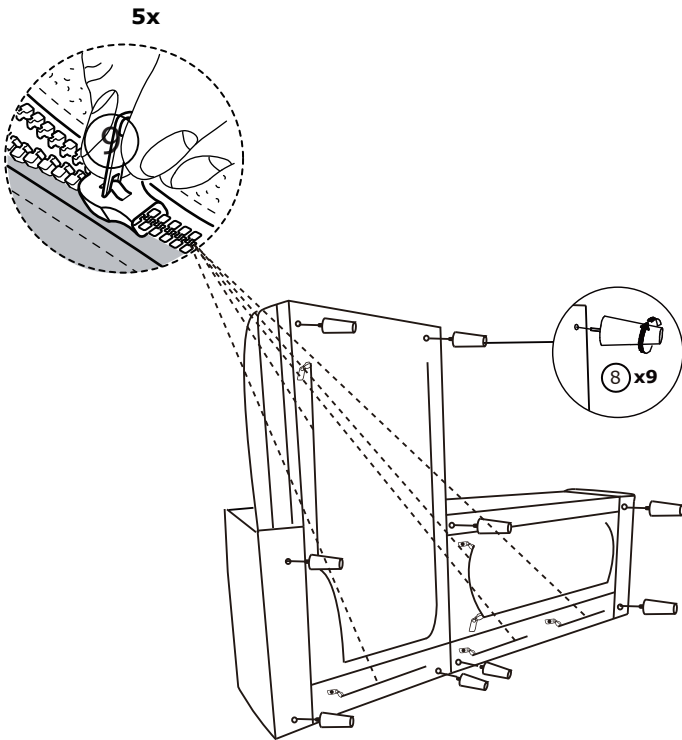
Step 6 Connect the armrest 6 and the seat frame 4 with a screw according to the figure



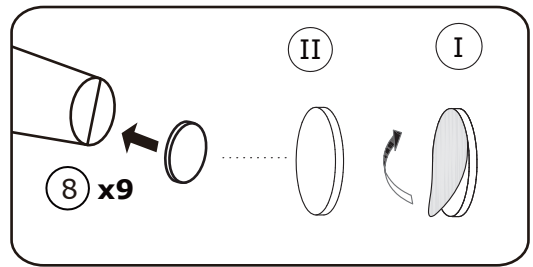
Step 7 Attach armrest 7 and double seat frame 5 with a screw as shown



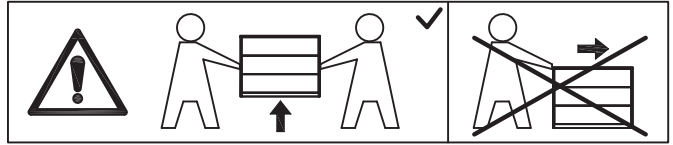
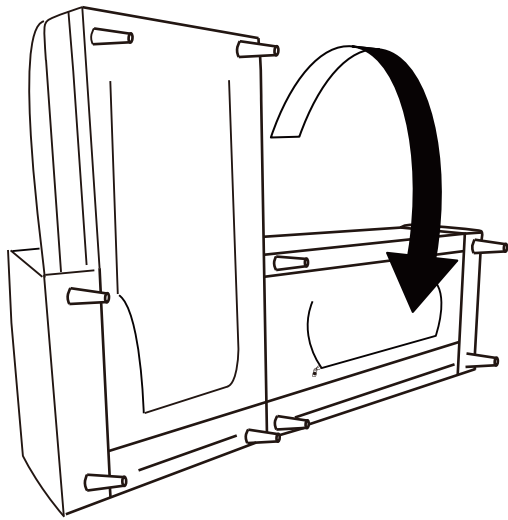
Step 8 Attach Royal 4 and double seat frame 5 with screws as shown



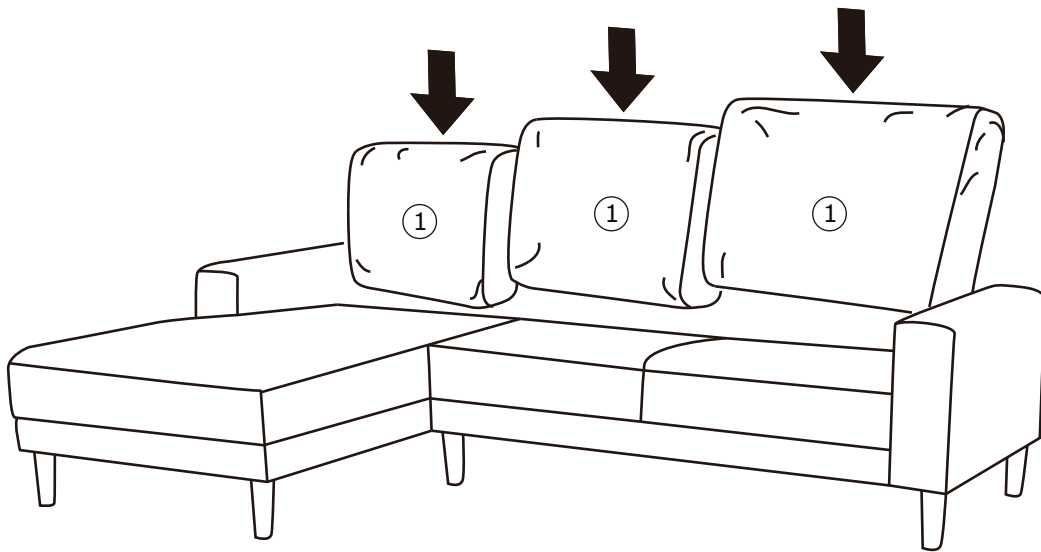
Step 9 Install wooden legs, 9 in total



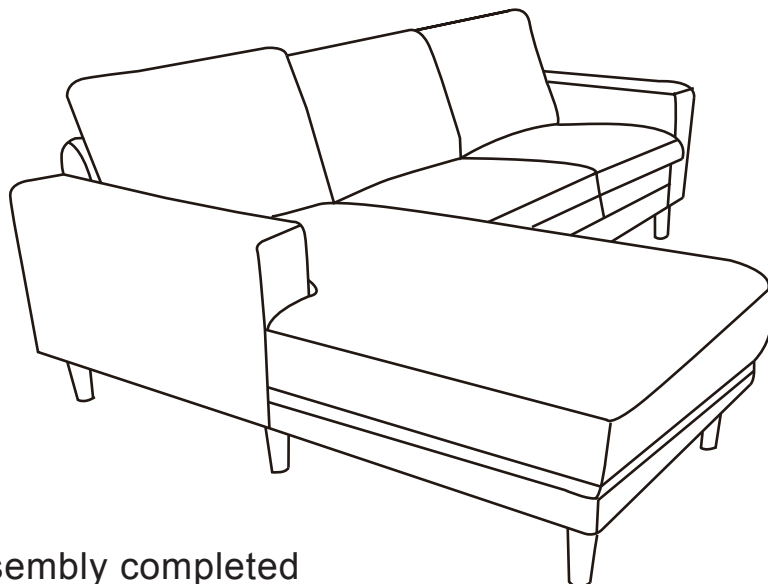
Step 10 Attach a non-slip pad to the bottom of each wooden foot



Step 11 When installed, turn the sofa upside down



Step 12 Place the bags according to the figure



Step 13 Assembly completed

Frequently Asked Questions

We understand that receiving damaged or defective products can be disappointing, and we're here to assist you every step of the way. Here's how to address common concerns and initiate a damage claim:

1.What should I do if my shipment is damaged or products received are defective?

We're genuinely sorry to hear about any inconvenience caused. Please reach out to us promptly, and our team will prioritize resolving the matter swiftly and effectively. To file a damage claim, follow these steps:

- A. Retain the original box in case a return is required.
- B. Take photos of the damaged box, the damaged part of the item, tracking number, and return label on the box to help us process a replacement or refund.

2.Can I return the product if I'm not satisfied?

While we uphold stringent quality standards and collaborate with experienced manufacturers, we acknowledge that dissatisfaction may arise. If you're still unsatisfied, you can initiate a return within 30 days of receiving the product. Simply message us with your reasons for return, and we'll facilitate the process.